



US00D708733S

(12) **United States Design Patent**  
**Ng et al.**

(10) **Patent No.:** **US D708,733 S**  
(45) **Date of Patent:** **\*\* Jul. 8, 2014**

(54) **VENTILATOR**

(56)

**References Cited**

(75) Inventors: **Eva Ng**, Erskineville (AU); **Benjamin John Leavens**, Woollahra (AU); **Kenneth Taylor**, Pitt Town (AU); **Jeremy William Workman**, Blaxland (AU); **Frank Van Regteren**, Hengelo (NL); **Jonathan Huw Thomas**, Lilyfield (AU)

U.S. PATENT DOCUMENTS

D420,118 S \* 2/2000 Radko et al. .... D23/370  
D459,477 S \* 6/2002 Stocks et al. .... D24/164  
D467,335 S \* 12/2002 Lithgow et al. .... D24/110  
D546,950 S \* 7/2007 Orth ..... D24/164  
2006/0213518 A1\* 9/2006 DeVries et al. .... 128/204.21  
2007/0215155 A1\* 9/2007 Marx et al. .... 128/204.21

\* cited by examiner

*Primary Examiner* — Ian Simmons

*Assistant Examiner* — Richelle G Shelton

(73) Assignee: **Resmed Paris SAS**, Moissy Cramayel (FR)

(74) *Attorney, Agent, or Firm* — Nixon & Vanderhye P.C.

(\*\*) Term: **14 Years**

(57) **CLAIM**

The ornamental design of a ventilator, as shown and described.

(21) Appl. No.: **29/398,887**

**DESCRIPTION**

(22) Filed: **Aug. 5, 2011**

(51) **LOC (10) Cl.** ..... **29-02**

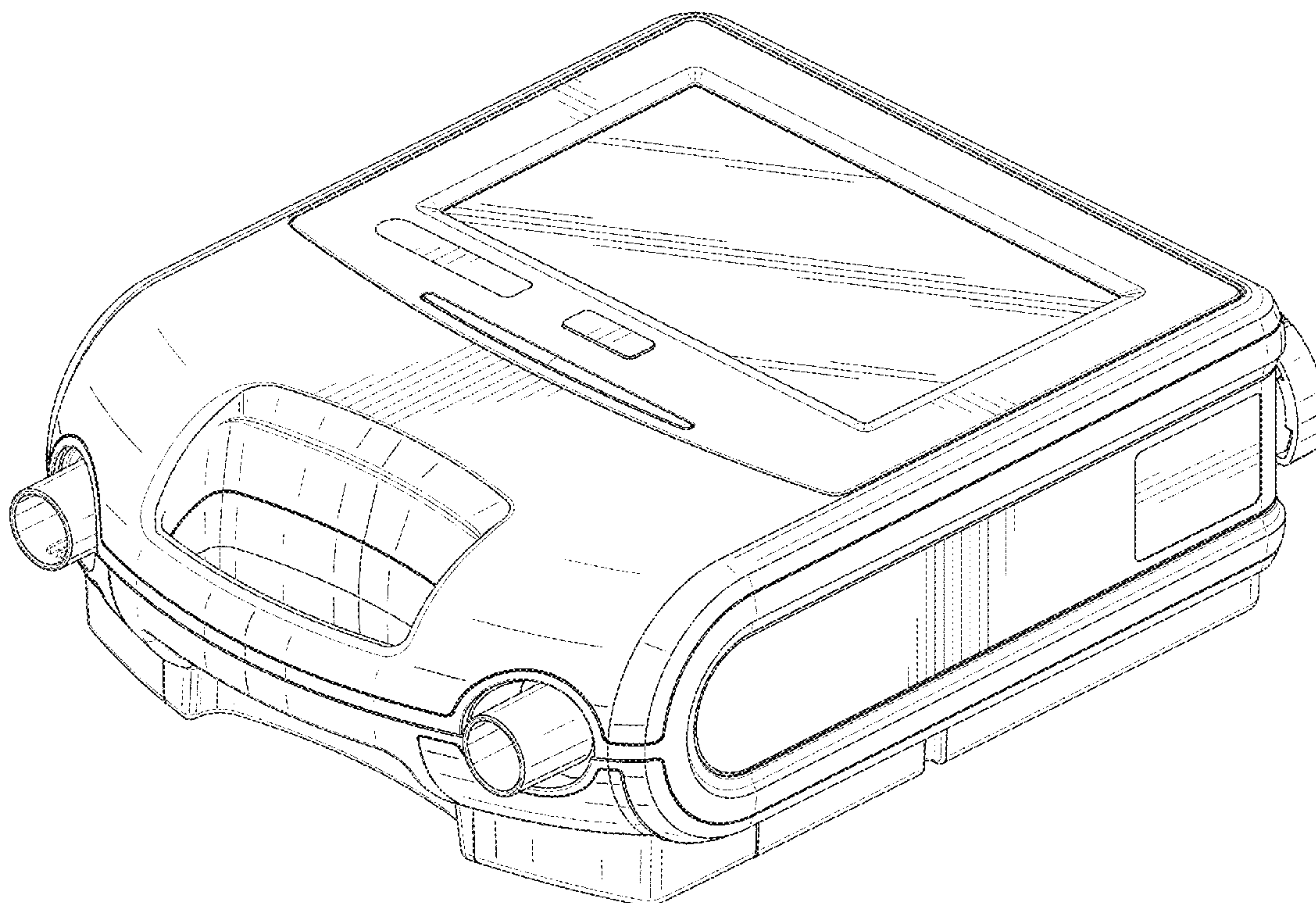
(52) **U.S. Cl.**  
USPC ..... **D24/110**

(58) **Field of Classification Search**  
USPC ..... D24/110, 164; 128/200.24, 204.18,  
128/204.21, 204.22, 204.23, 205.15, 205.24

FIG. 1 is a front perspective view of a ventilator according to our new ornamental design;  
FIG. 2 is a front view thereof;  
FIG. 3 is a rear view thereof;  
FIG. 4 is a top view thereof;  
FIG. 5 is a bottom view thereof;  
FIG. 6 is a left side view thereof;  
FIG. 7 is a right side view thereof; and,  
FIG. 8 is a rear perspective view thereof.  
The broken lines represent surrounding structure and do not form part of the claimed design.

See application file for complete search history.

**1 Claim, 6 Drawing Sheets**



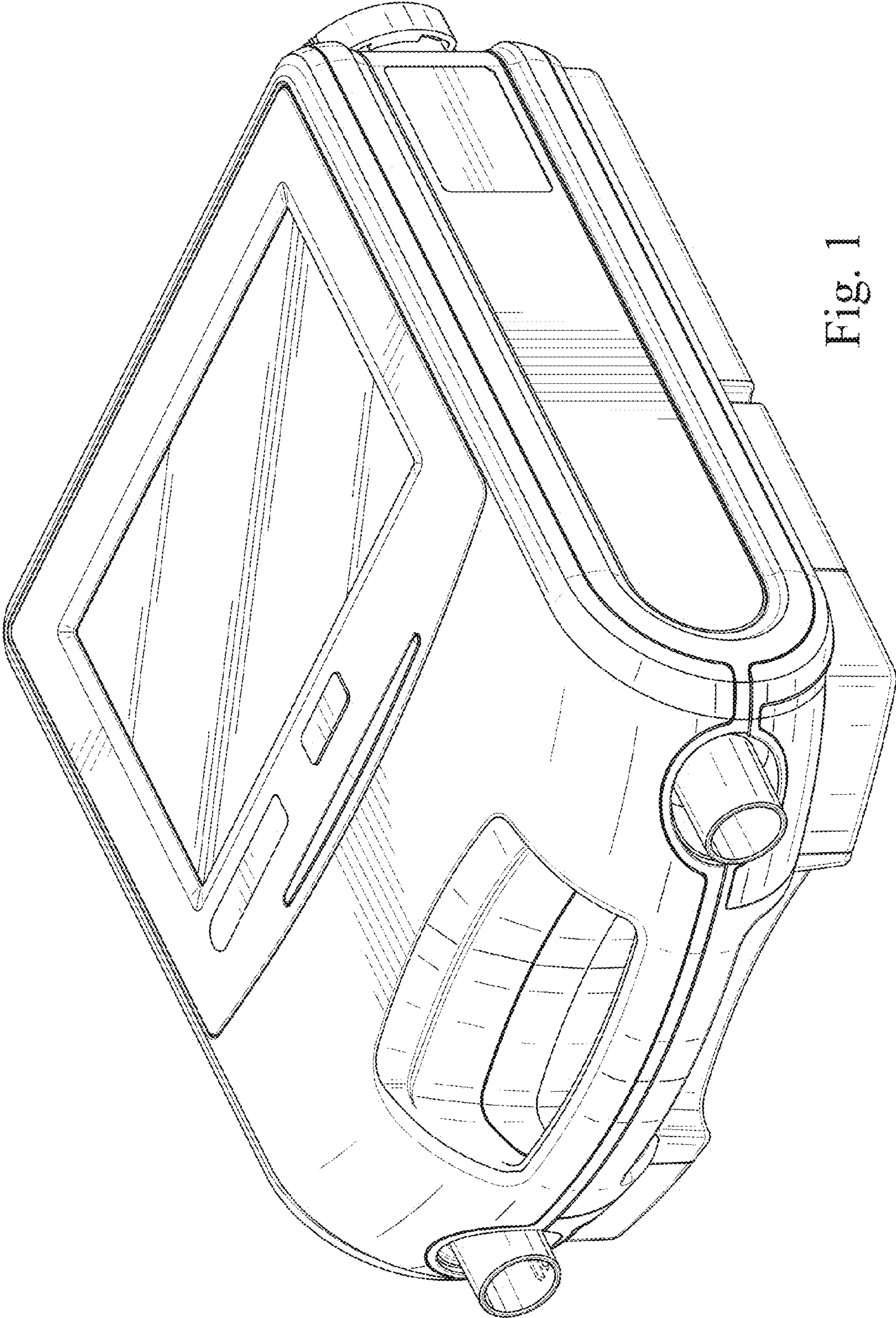


Fig. 1



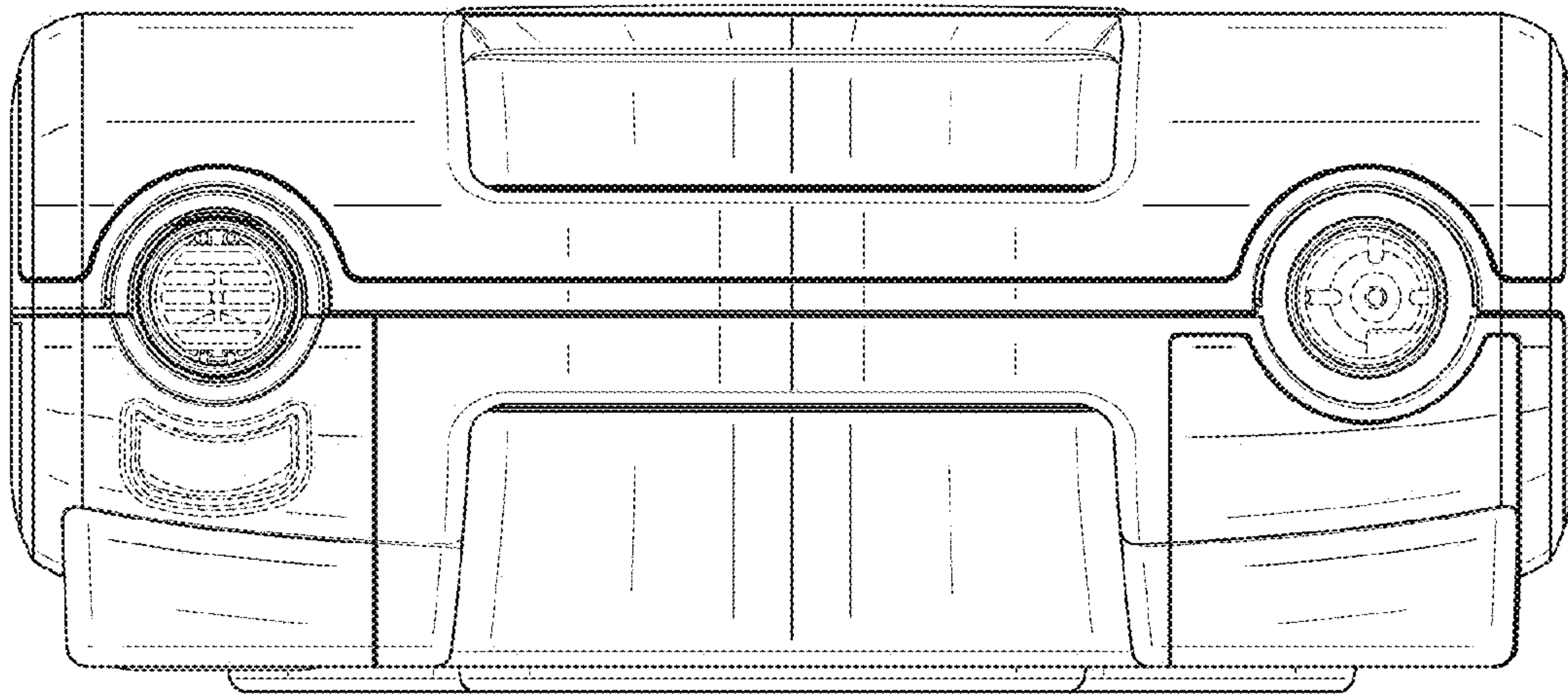


Fig. 2

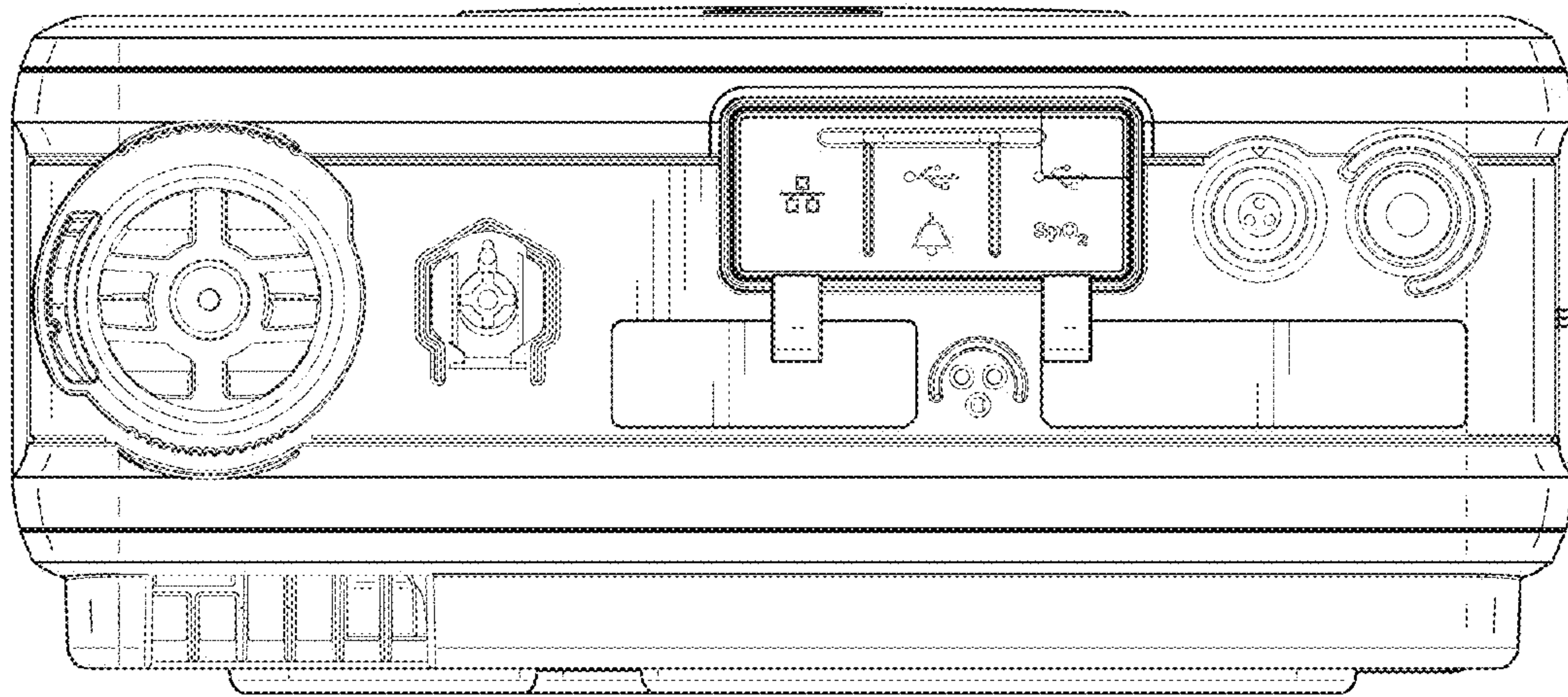


Fig. 3

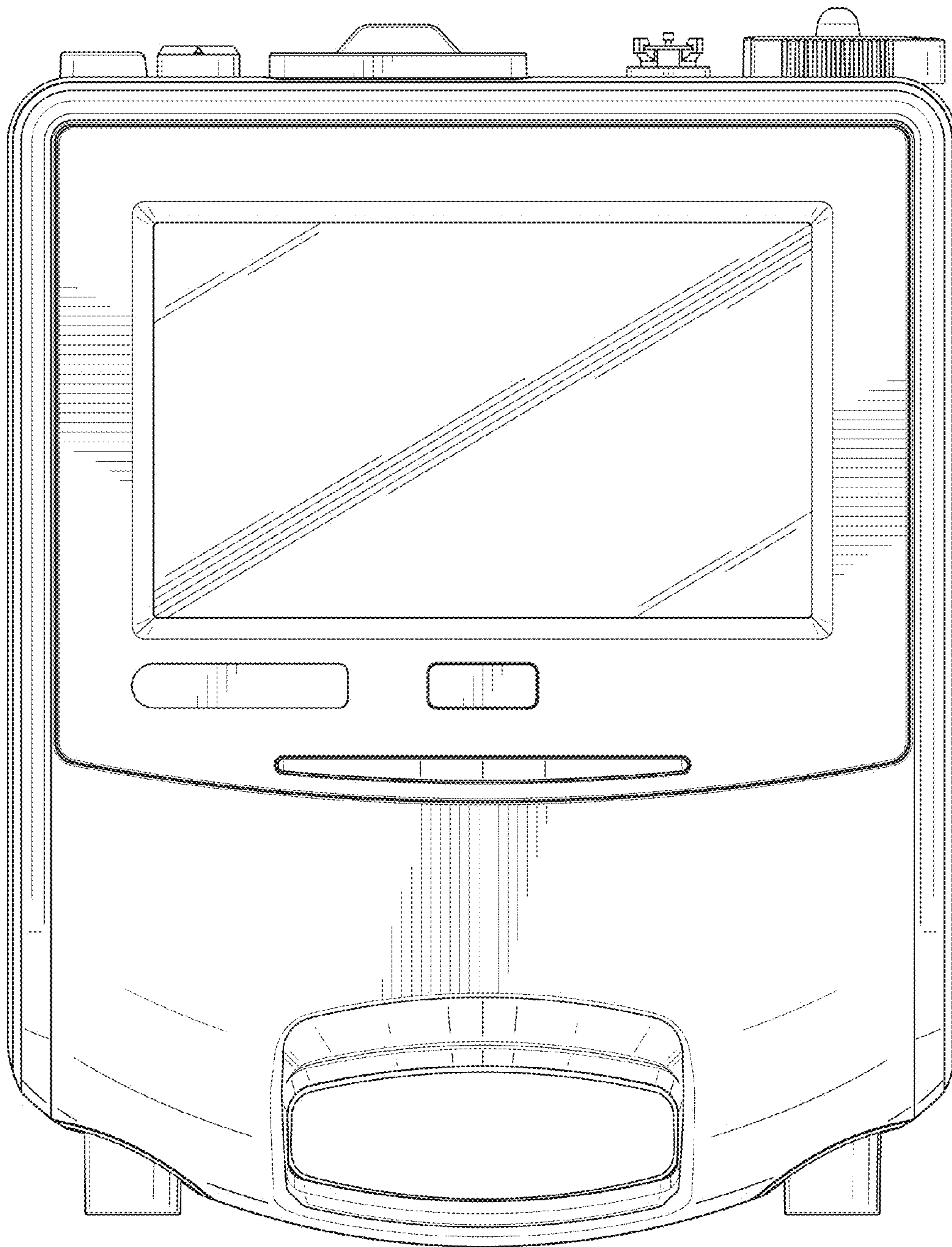


Fig. 4

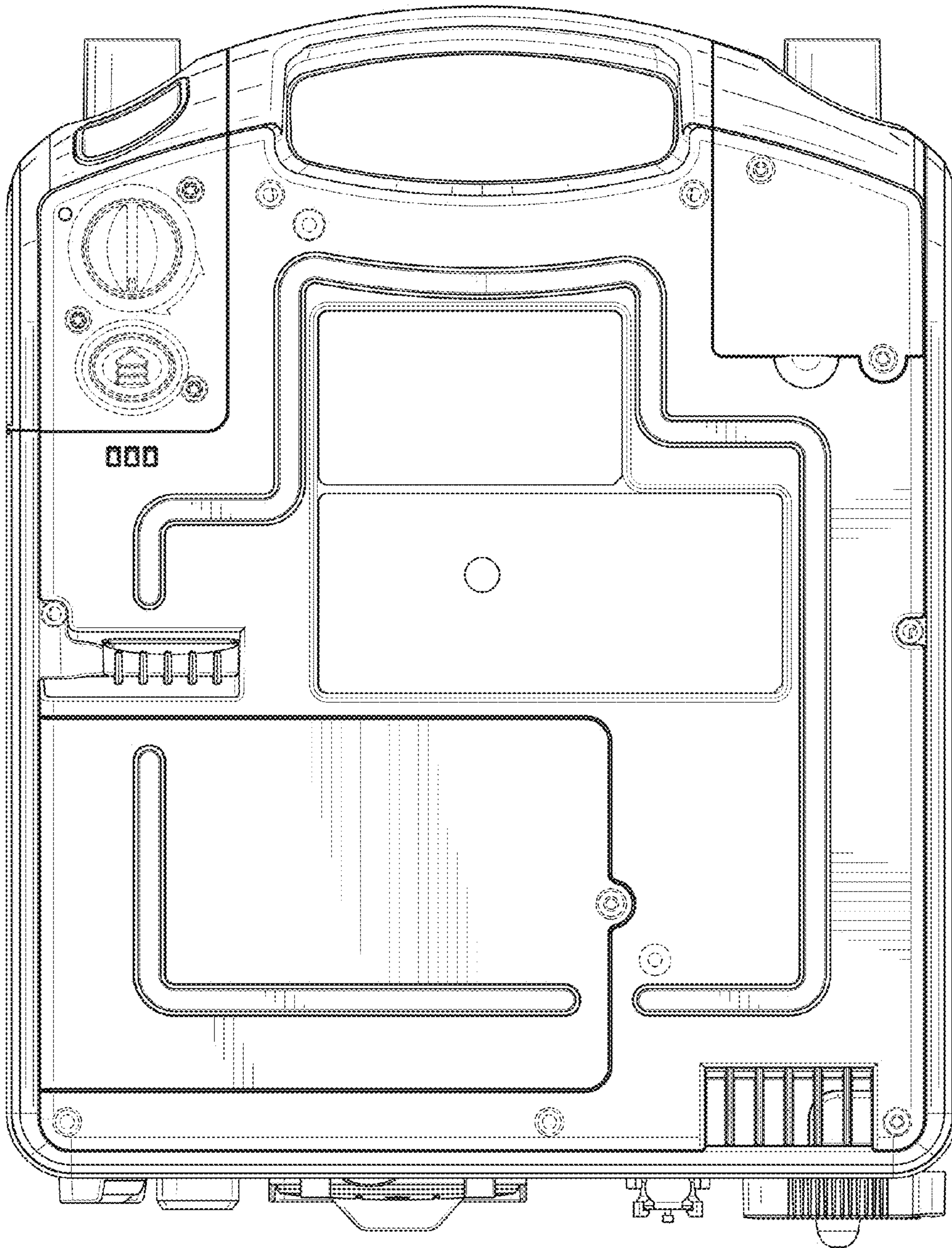


Fig. 5



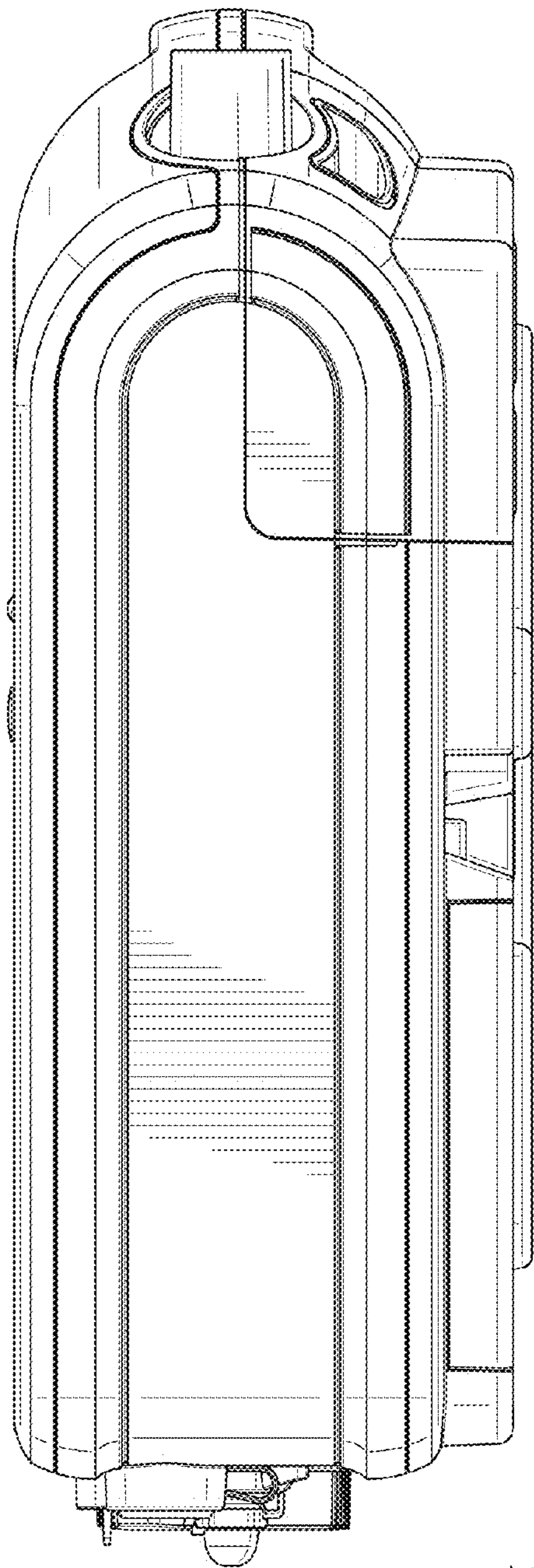


Fig. 6

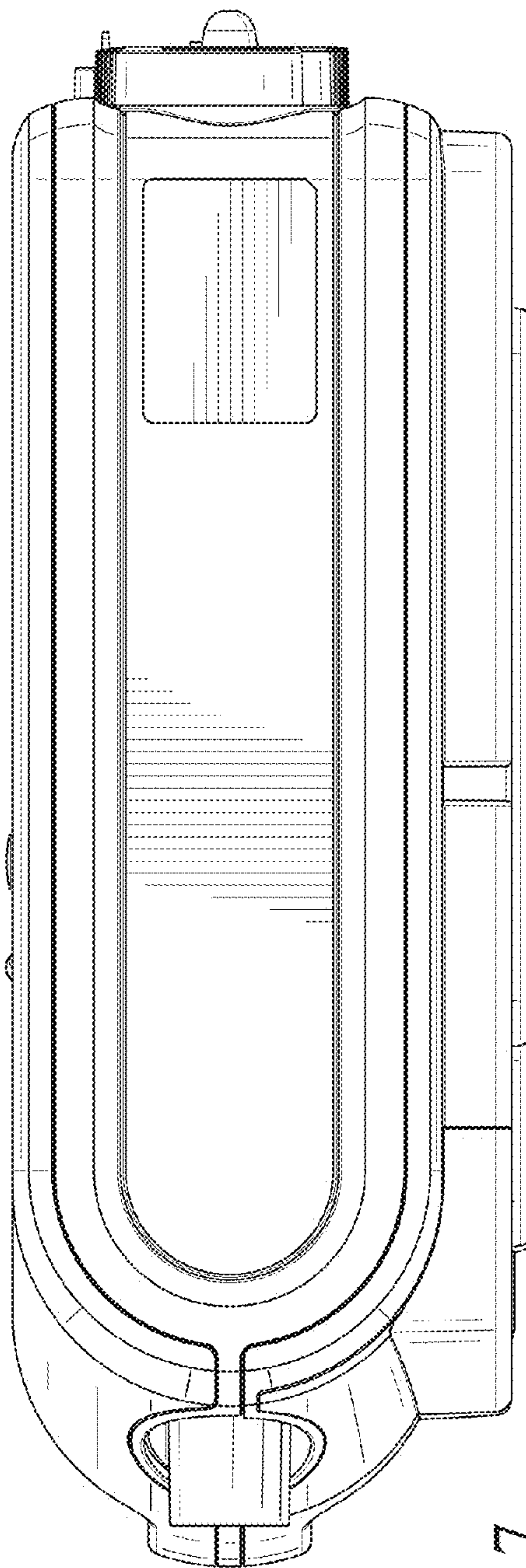


Fig. 7

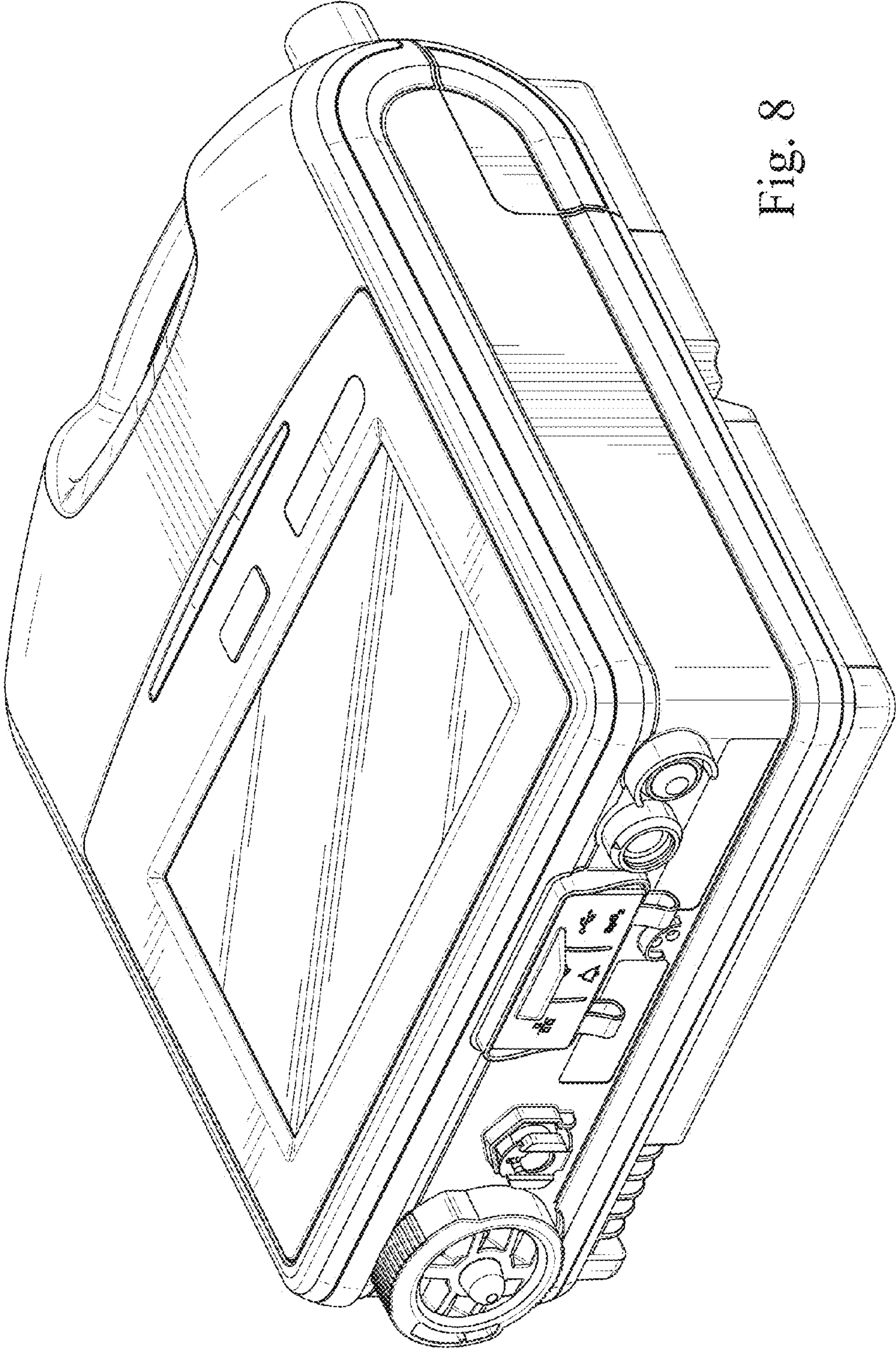


Fig. 8