

US00D708732S

(12) **United States Design Patent**  
**Jensen**

(10) **Patent No.:** **US D708,732 S**  
(45) **Date of Patent:** **\*\* Jul. 8, 2014**

- (54) **GRILLE/REGISTER TAKEOFF**
- (71) Applicant: **Gary Andrew Jensen**, Napa, CA (US)
- (72) Inventor: **Gary Andrew Jensen**, Napa, CA (US)
- (\*\*) Term: **14 Years**
- (21) Appl. No.: **29/442,238**
- (22) Filed: **Jan. 30, 2013**
- (51) **LOC (10) Cl.** ..... **23-04**
- (52) **U.S. Cl.**  
USPC ..... **D23/388**
- (58) **Field of Classification Search**  
USPC ..... D23/385-395, 397, 370-373, 365, 351,  
D23/354, 399-403, 421, 499, 411; 454/309,  
454/275-277, 284, 287-291, 358-363;  
52/302.1, 32.07; 285/229, 189, 183,  
285/123.1, 15, 114, 110, 424, 197  
See application file for complete search history.

4,160,559	A *	7/1979	Nickels, Jr.	.....	285/189
D257,060	S *	9/1980	Mann	.....	D23/393
D262,398	S *	12/1981	Syme	.....	D23/386
5,518,277	A *	5/1996	Sanders	.....	285/189
5,538,293	A *	7/1996	Kolt	.....	285/189
D380,044	S *	6/1997	Tobias	.....	D23/371
6,588,802	B2 *	7/2003	Schukal	.....	285/183
6,830,065	B2 *	12/2004	Sinur et al.	.....	285/424
D571,908	S *	6/2008	Myers	.....	D23/393
7,390,251	B2 *	6/2008	Hadlock, Jr.	.....	454/370
D599,828	S *	9/2009	Yabe et al.	.....	D23/411

\* cited by examiner

*Primary Examiner* — David Muller

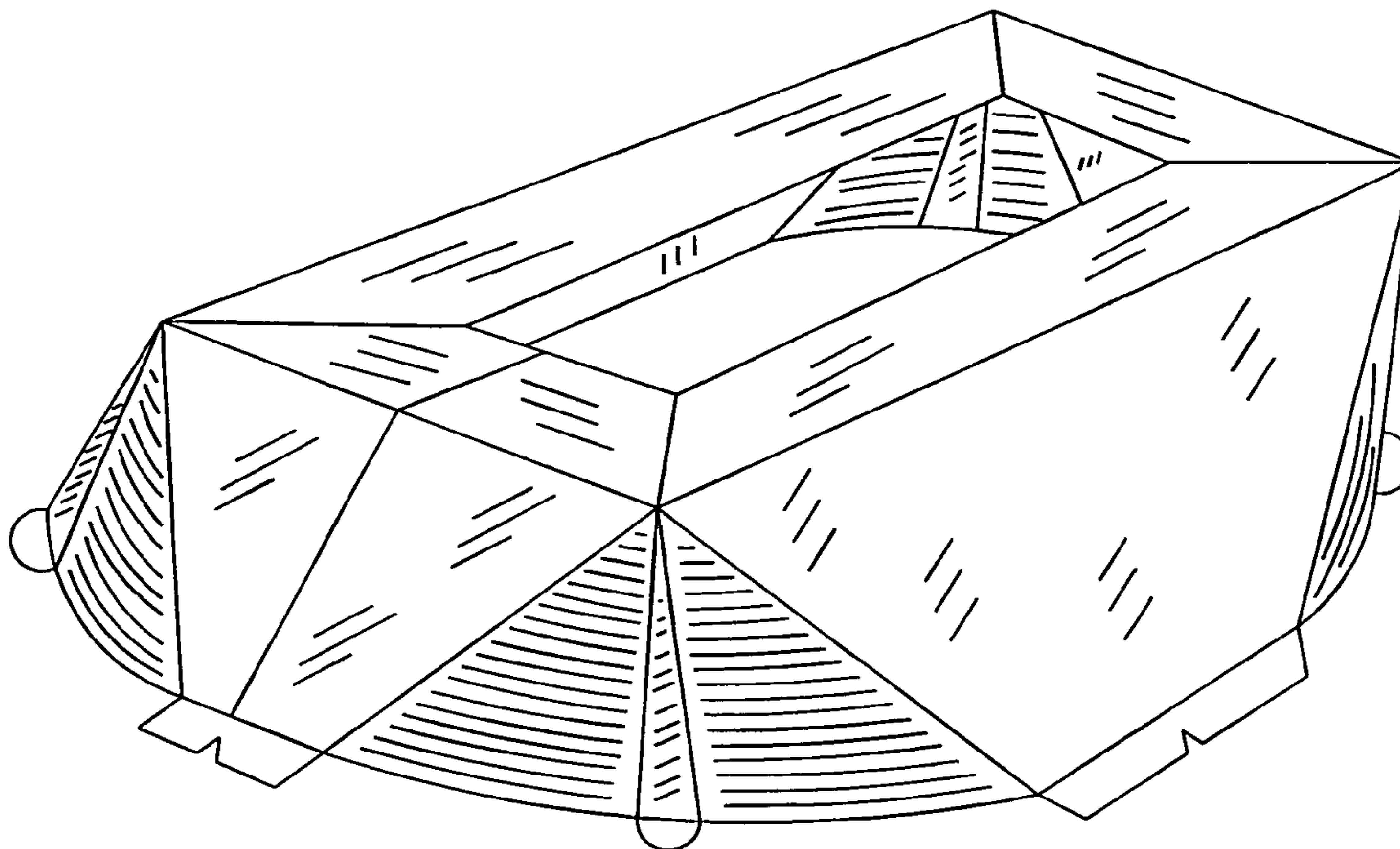
(57) **CLAIM**  
I claim the ornamental design for a: grille/register takeoff, as shown and described.

**DESCRIPTION**

FIG. 1 is a perspective view of grille/register takeoff.  
FIG. 2 is a top view thereof.  
FIG. 3 is a side elevation view thereof.  
FIG. 4 is an end elevation view thereof; and,  
FIG. 5 is a plan view showing the grille/register takeoff in an unfolded flat pattern configuration.

- (56) **References Cited**  
U.S. PATENT DOCUMENTS  
2,963,783 A \* 12/1960 Field ..... 285/183  
3,520,093 A \* 7/1970 Painter ..... D23/373

**1 Claim, 4 Drawing Sheets**



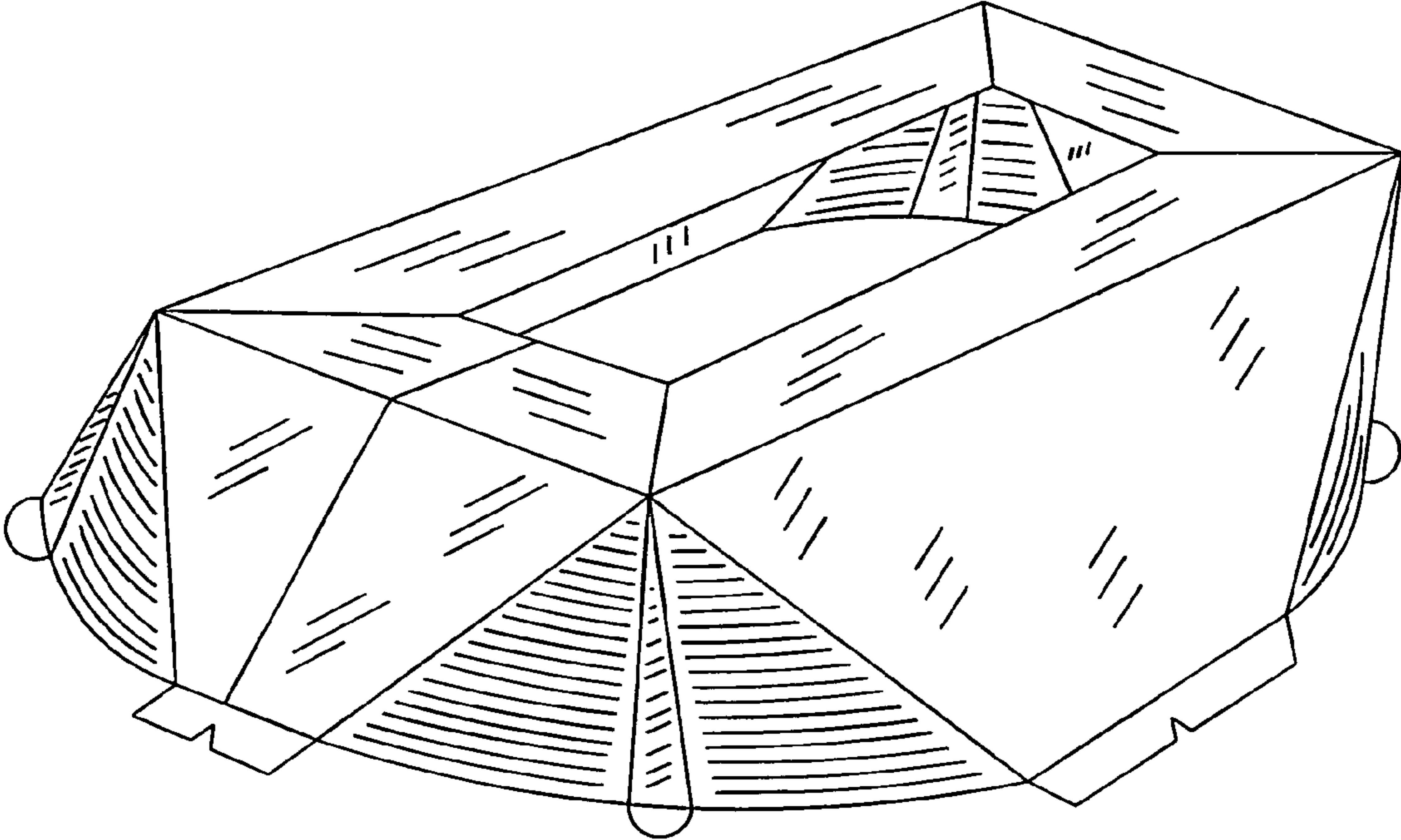


FIG. 1

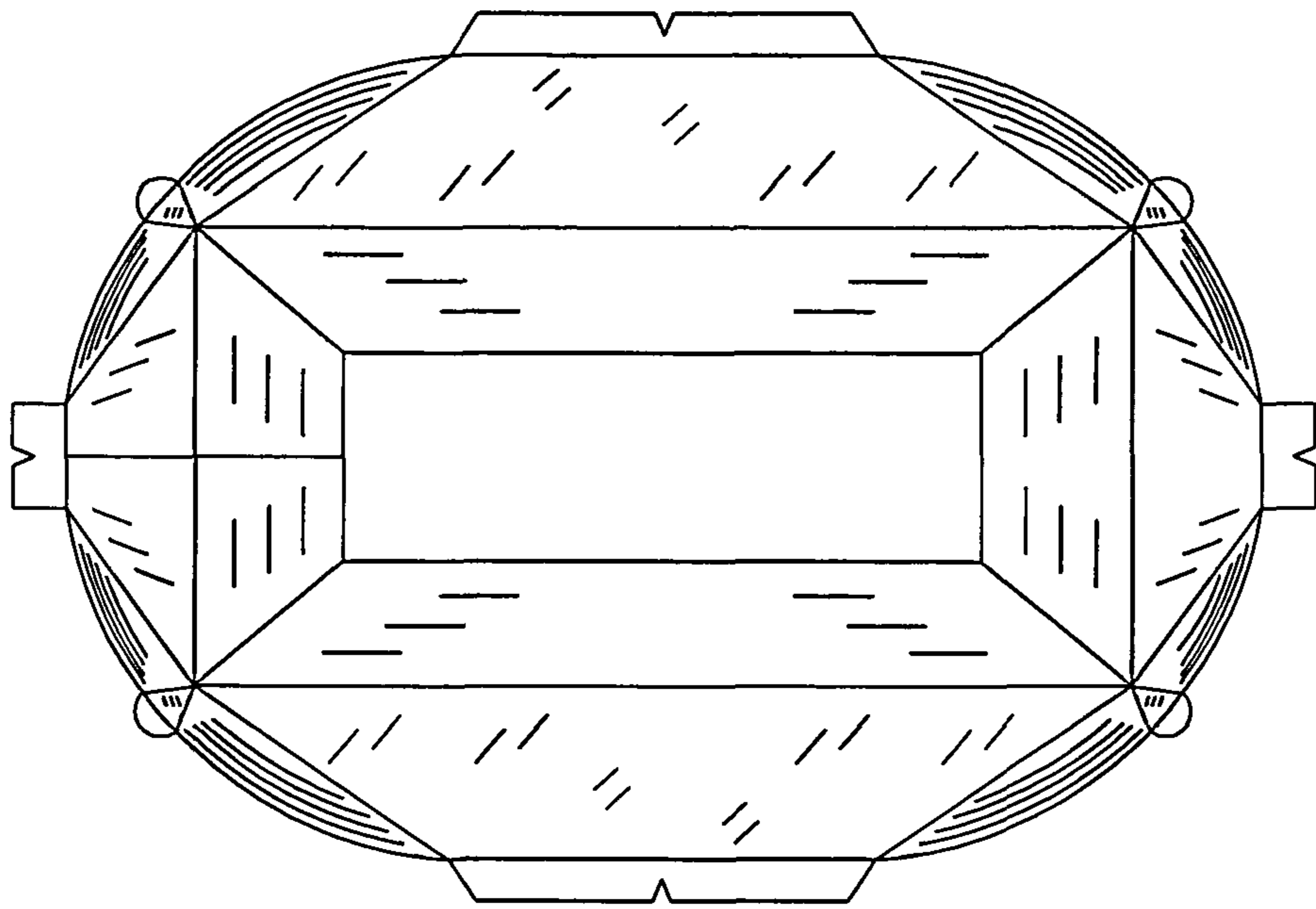


FIG. 2

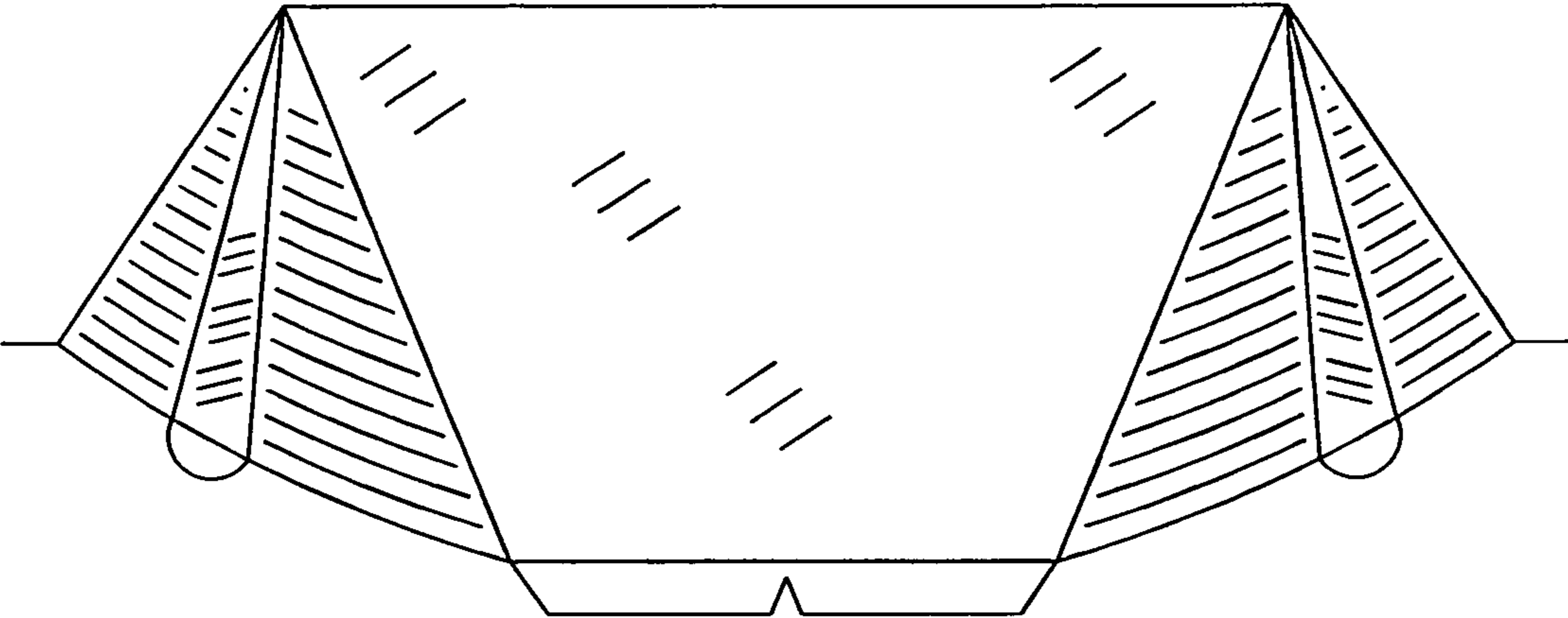


FIG. 3

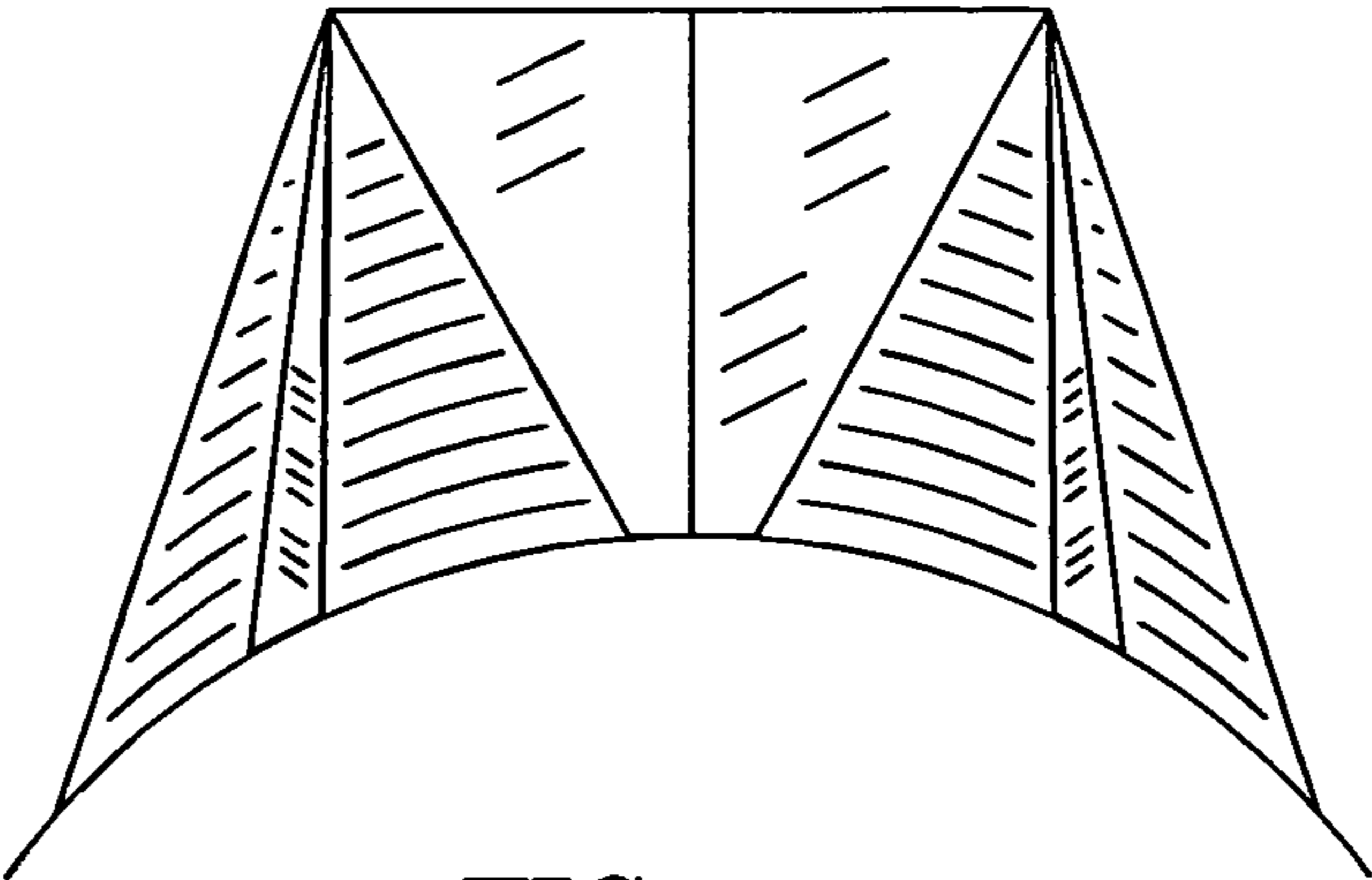


FIG. 4

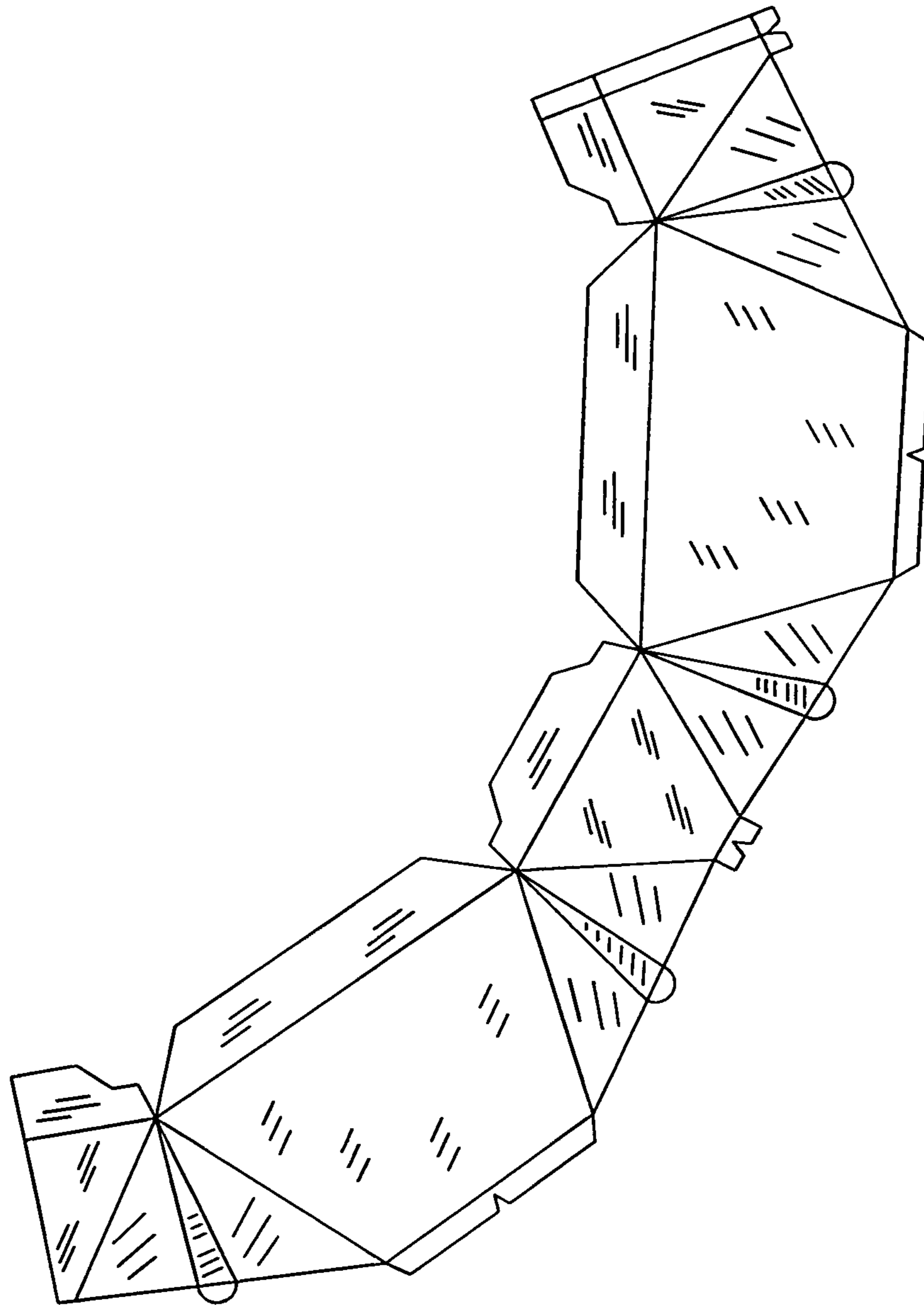


FIG. 5