



US00D708731S

(12) **United States Design Patent**  
**Lei**

(10) **Patent No.:** **US D708,731 S**  
(45) **Date of Patent:** **\*\* Jul. 8, 2014**

(54) **BLOWER**

(56) **References Cited**

(71) Applicant: **Zhongshan Broad-Ocean Motor Co., Ltd.**, Zhongshan (CN)

U.S. PATENT DOCUMENTS

(72) Inventor: **Wei Lei**, Zhongshan (CN)

D409,737	S	*	5/1999	Nilsson	.....	D23/332
D439,648	S	*	3/2001	Jones et al.	.....	D23/370
6,575,696	B1	*	6/2003	Lyons et al.	.....	415/119
7,182,574	B2	*	2/2007	Lyons	.....	415/213.1
7,210,903	B2	*	5/2007	Lyons	.....	415/204
7,278,823	B2	*	10/2007	Platz	.....	415/204
7,861,708	B1	*	1/2011	Lyons	.....	126/110 A
2013/0129491	A1	*	5/2013	Lei et al.	.....	415/182.1
2013/0195606	A1	*	8/2013	Adhvaryu et al.	.....	415/1
2013/0216377	A1	*	8/2013	Wang et al.	.....	415/230

(73) Assignee: **Zhongshan Broad-Ocean Motor Co., Ltd.**, Zhongshan (CN)

(\*\*) Term: **14 Years**

\* cited by examiner

(21) Appl. No.: **29/441,001**

*Primary Examiner* — Susan Bennett Hattan

(22) Filed: **Dec. 28, 2012**

*Assistant Examiner* — Janice Hallmark

(30) **Foreign Application Priority Data**

(74) *Attorney, Agent, or Firm* — Matthias Scholl P.C.; Matthias Scholl

Jun. 29, 2012 (CN) ..... 2012 3 0285998

(51) **LOC (10) Cl.** ..... **23-04**

(57) **CLAIM**

The ornamental design for a blower, as shown and described.

(52) **U.S. Cl.**

**DESCRIPTION**

USPC ..... **D23/383**

FIG. 1 is a front elevational view of a blower;

FIG. 2 is a rear elevational view thereof;

FIG. 3 is a left side elevational view thereof;

FIG. 4 is a right side elevational view thereof;

FIG. 5 is a top plan view thereof;

FIG. 6 is a bottom plan view thereof; and,

FIG. 7 is a perspective thereof.

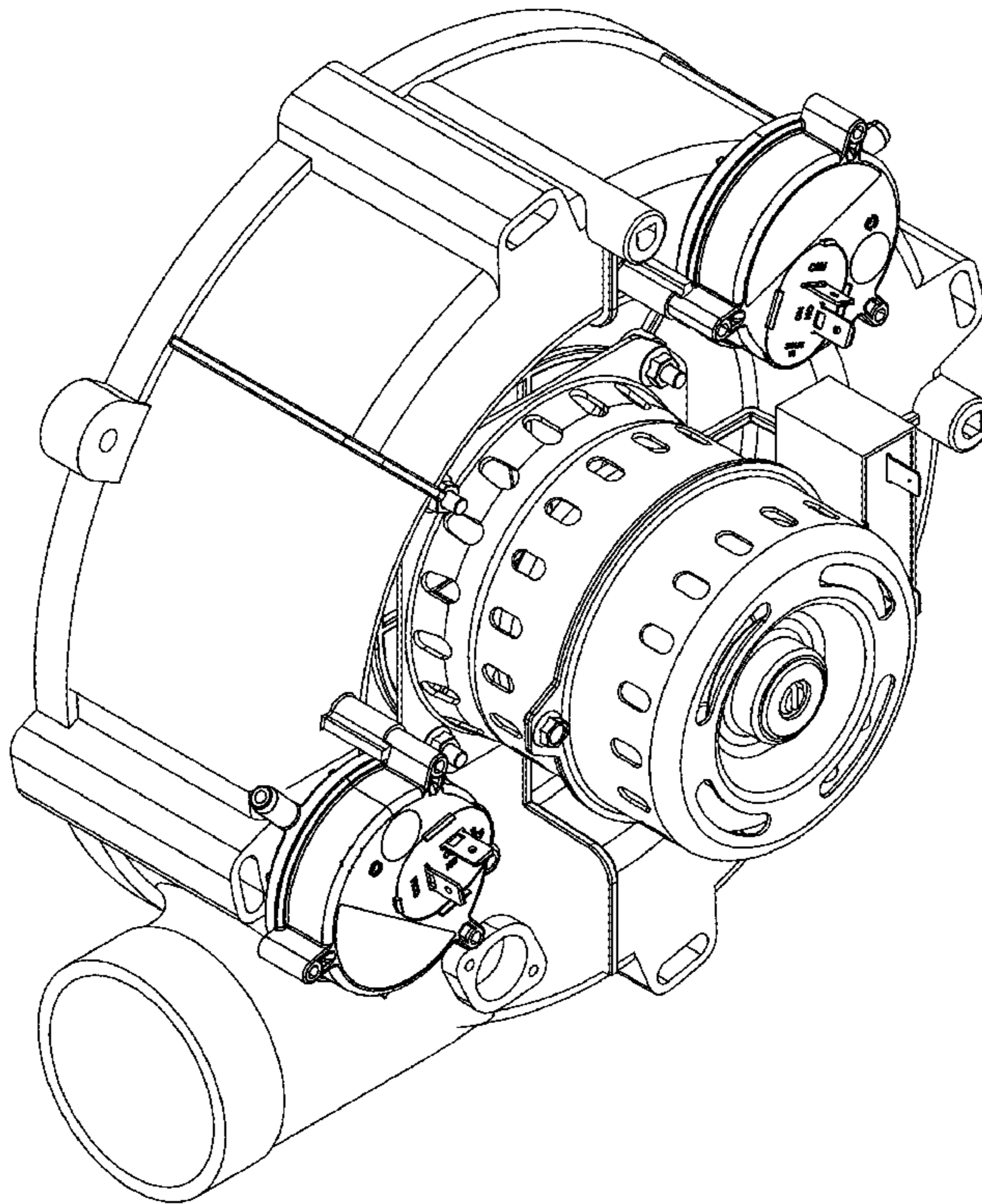
The broken lines in the drawings depict unclaimed environment and form no part of the claimed design.

(58) **Field of Classification Search**

USPC ..... D23/370–385, 411–414, 365, 364;  
415/60, 66, 68, 208.1, 213.1, 214.1;  
310/257; 361/695; 126/299 D, 299 R;  
D26/51, 72, 73; D32/15, 16; 416/189;  
D13/179

See application file for complete search history.

**1 Claim, 7 Drawing Sheets**



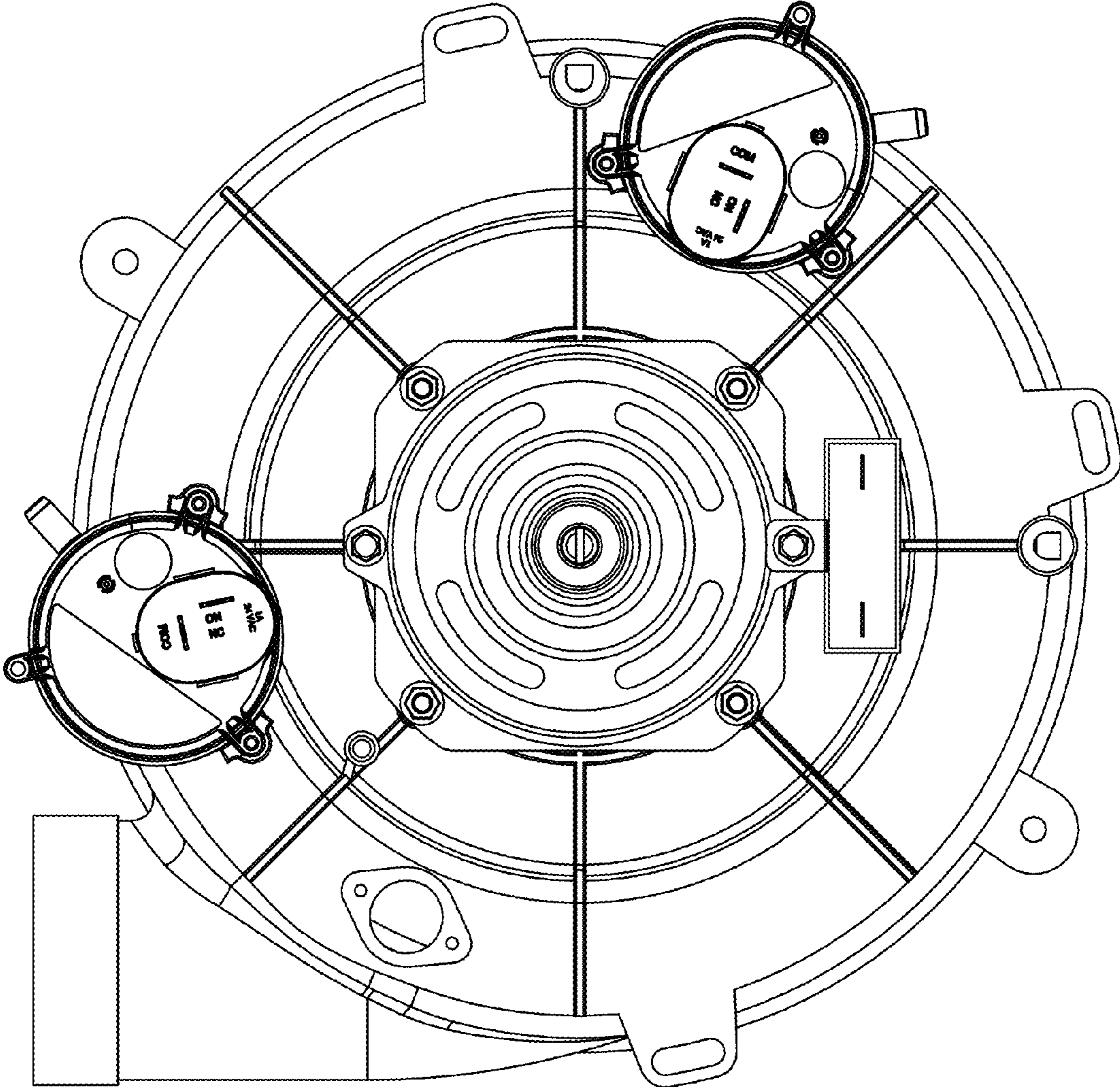


FIG. 1



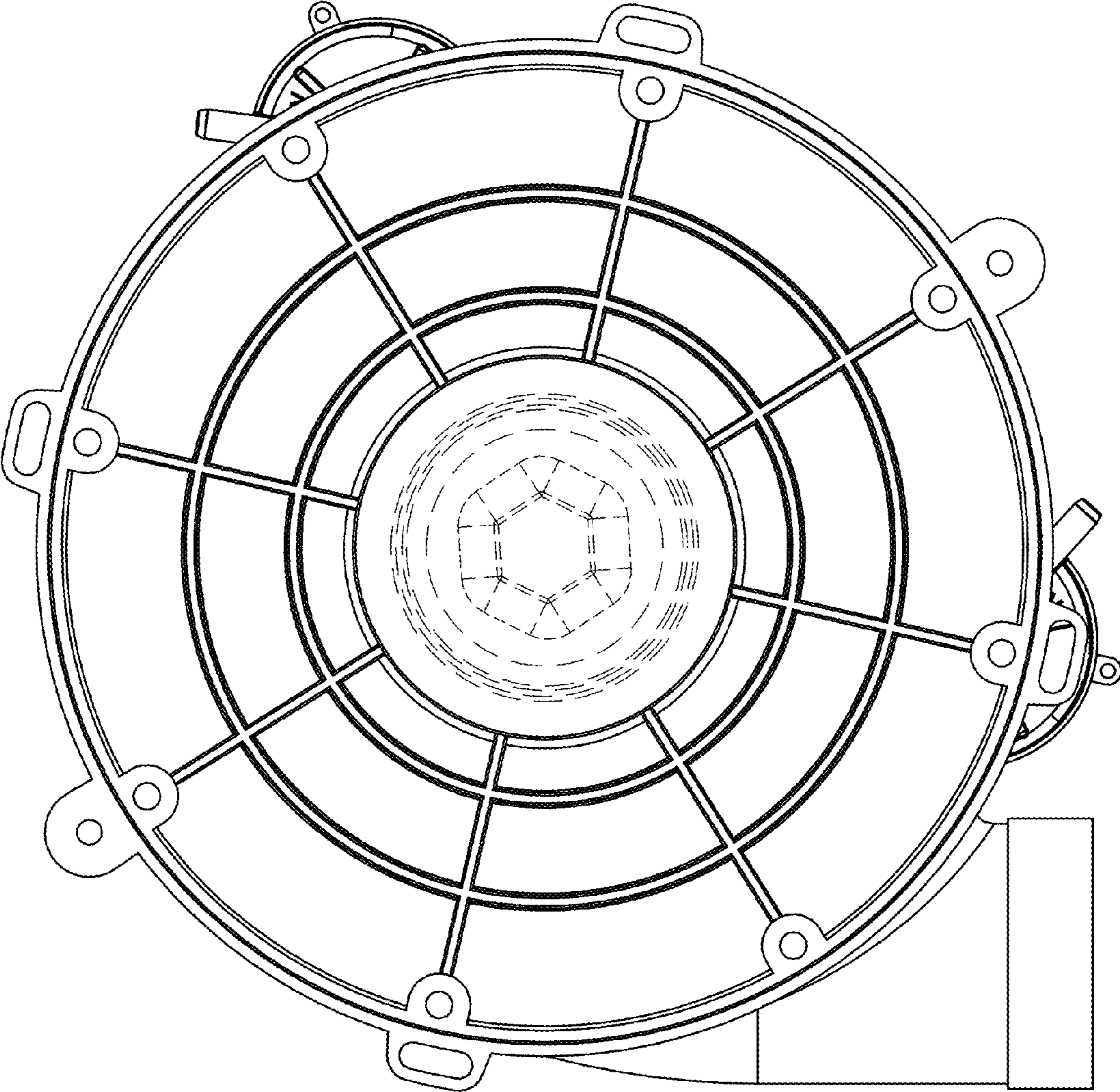


FIG. 2

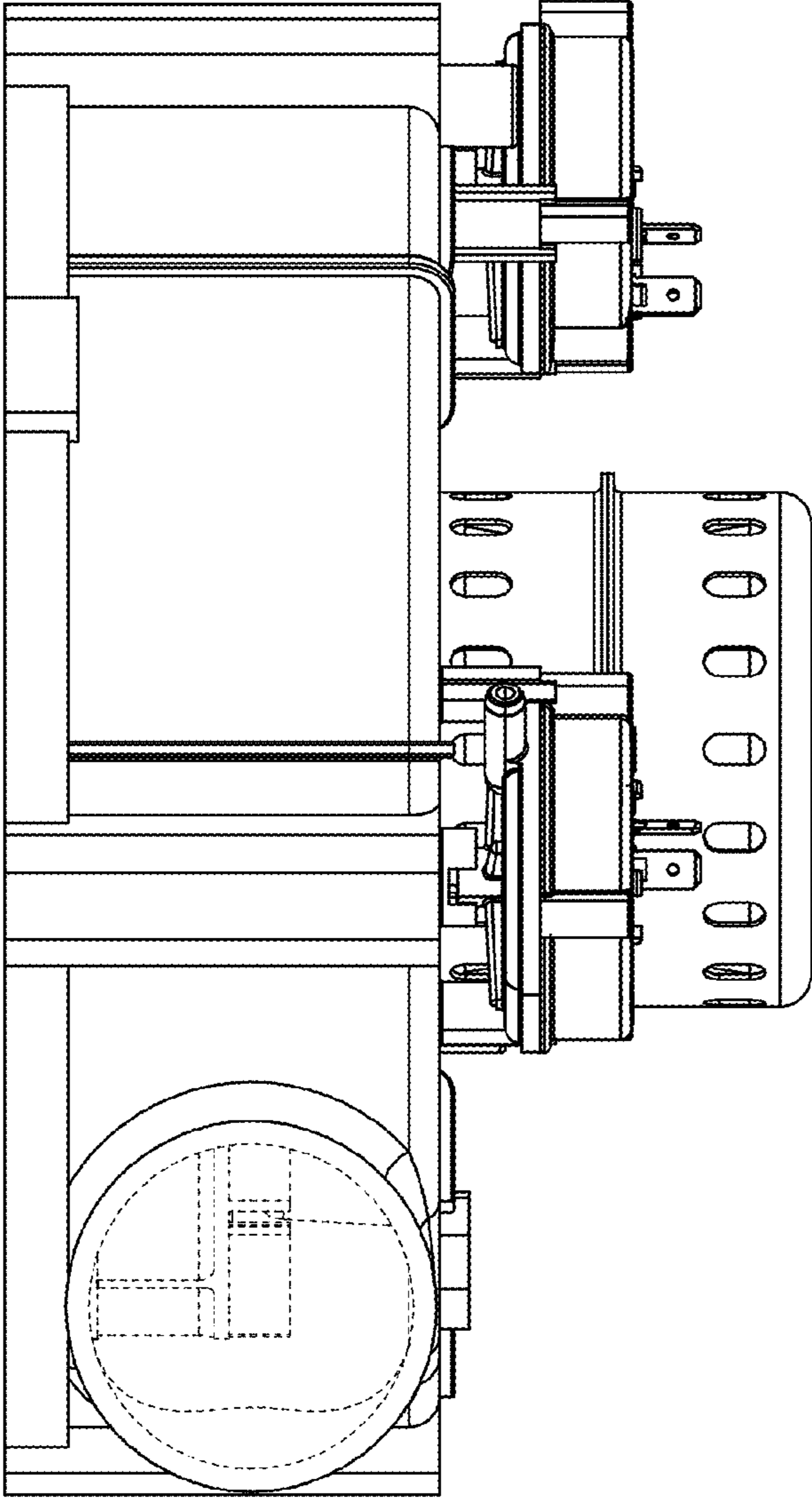


FIG. 3

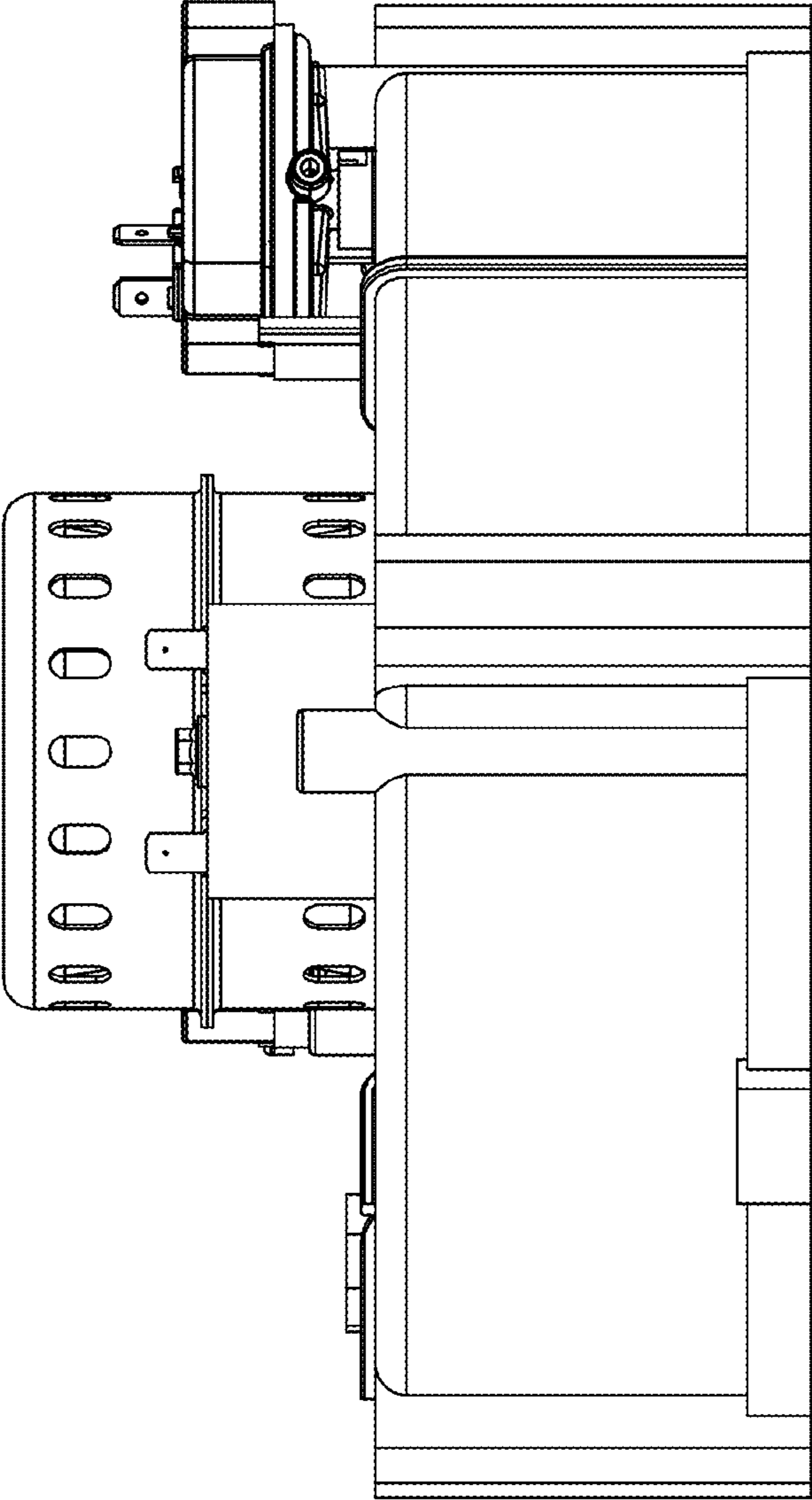


FIG. 4

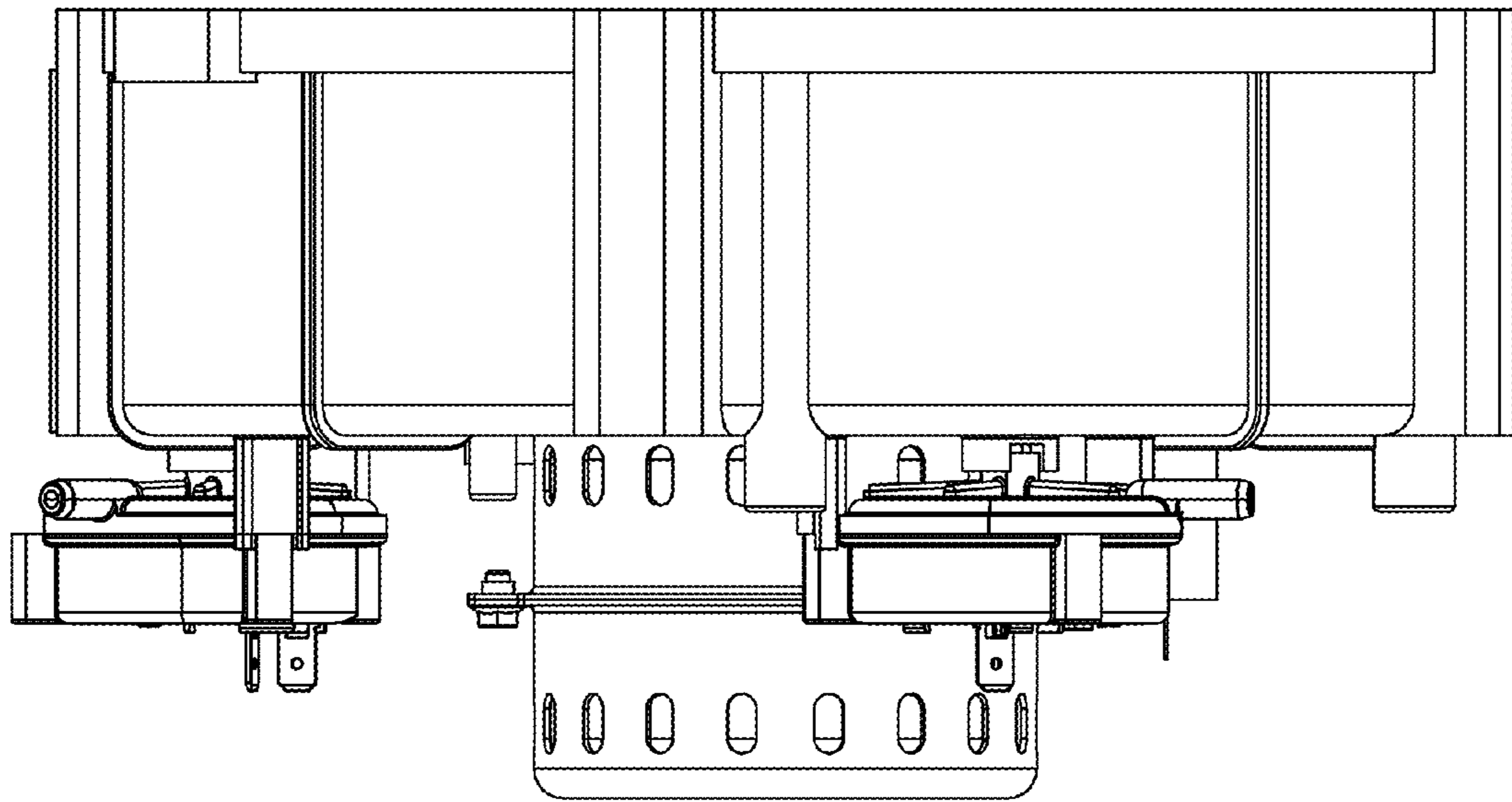


FIG. 5

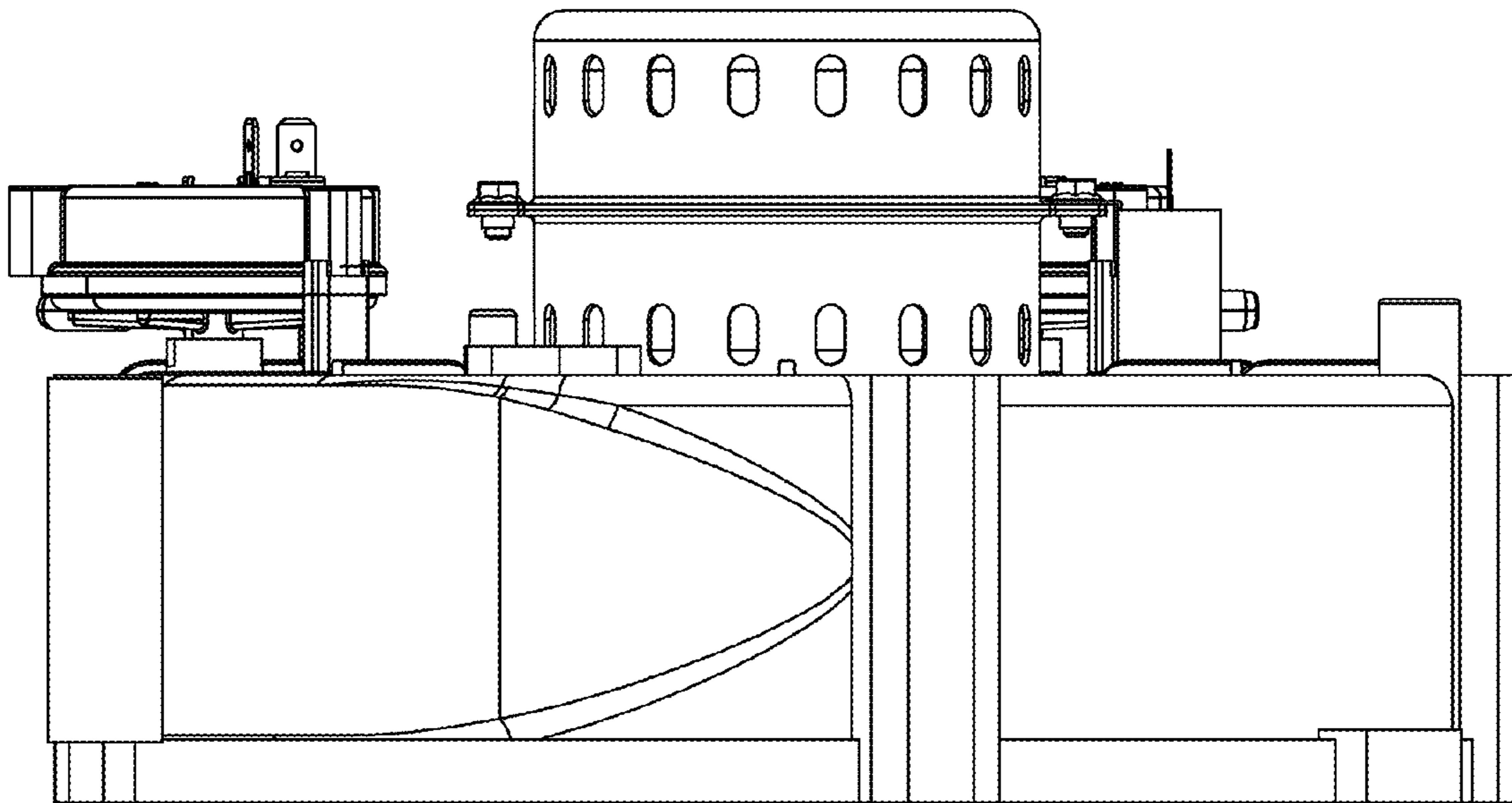


FIG. 6



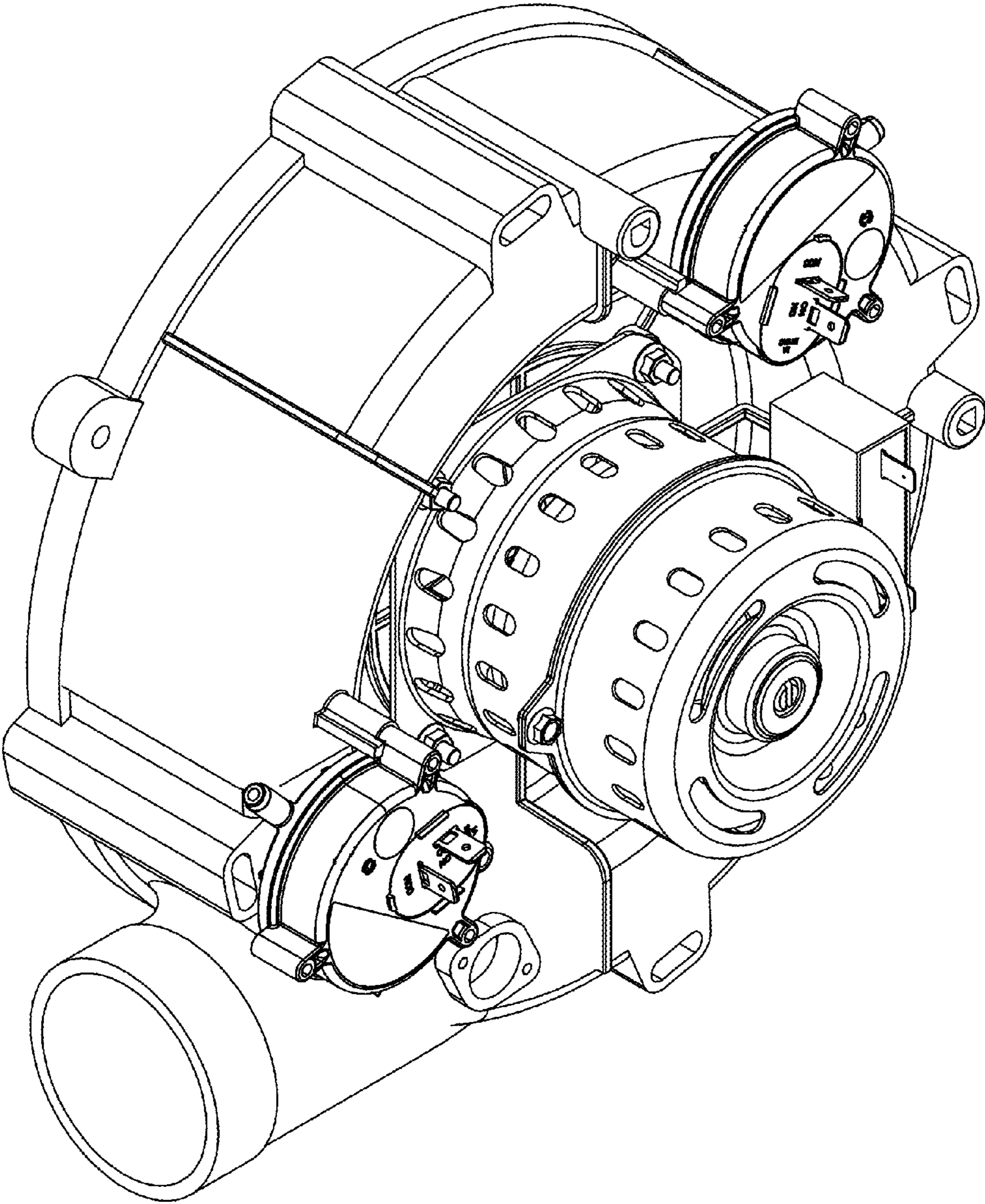


FIG. 7