



US00D708728S

(12) **United States Design Patent**
Yoo et al.

(10) **Patent No.:** **US D708,728 S**
(45) **Date of Patent:** **** Jul. 8, 2014**

(54) **AIR CLEANER**

(71) Applicant: **LG Electronics Inc.**, Seoul (KR)

(72) Inventors: **Joonggil Yoo**, Gyeonggi-do (KR);
Sangyoon Lee, Gyeonggi-do (KR);
Ilseop So, Seoul (KR); **Eugene Suh**,
Seoul (KR); **Jeewook Ha**, Seoul (KR)

(73) Assignee: **LG Electronics Inc.**, Seoul (KR)

(**) Term: **14 Years**

(21) Appl. No.: **29/464,090**

(22) Filed: **Aug. 13, 2013**

(30) **Foreign Application Priority Data**

Feb. 13, 2013 (KR) 30-2013-0007543

(51) **LOC (10) Cl.** **23-04**

(52) **U.S. Cl.**
USPC **D23/364**

(58) **Field of Classification Search**
USPC D23/355-366, 352, 369, 332, 333, 335,
D23/336, 342, 351; 422/120, 122; 55/356,
55/473, 504; 96/97; D14/188, 170, 172;
261/DIG. 17, DIG. 65, DIG. 88, DIG. 31;
D18/34.6

See application file for complete search history.

(56) **References Cited**

U.S. PATENT DOCUMENTS

D278,370 S * 4/1985 Speitel D28/5
D491,257 S * 6/2004 Picken, Jr. D23/366

D515,681 S * 2/2006 Muir et al. D23/366
D520,621 S * 5/2006 Moser, III D23/365
D552,224 S * 10/2007 Makar et al. D23/364
D553,729 S * 10/2007 Bayly et al. D23/366
D565,715 S * 4/2008 Wu D23/366
D575,860 S * 8/2008 Wu D23/366
D583,037 S * 12/2008 Kenny D23/366
D642,254 S * 7/2011 Mazzeo et al. D23/366
D649,237 S * 11/2011 Bilko et al. D23/366
D681,678 S * 5/2013 Portillo D23/365
D686,719 S * 7/2013 Lin D23/366

* cited by examiner

Primary Examiner — David Muller

(74) *Attorney, Agent, or Firm* — Morgan, Lewis & Bockius
LLP

(57) **CLAIM**

The ornamental design for an air cleaner, as shown and described.

DESCRIPTION

FIG. 1 is a front, right side, perspective view of an air cleaner showing our new design;
FIG. 2 is a front view thereof;
FIG. 3 is a rear view thereof;
FIG. 4 is a left side view thereof;
FIG. 5 is a right side view thereof;
FIG. 6 is a top view thereof; and,
FIG. 7 is a bottom view thereof.
The broken line showing of FIG. 3 is for the purpose of illustrating portions of the air cleaner and forms no part of the claimed design.

1 Claim, 5 Drawing Sheets

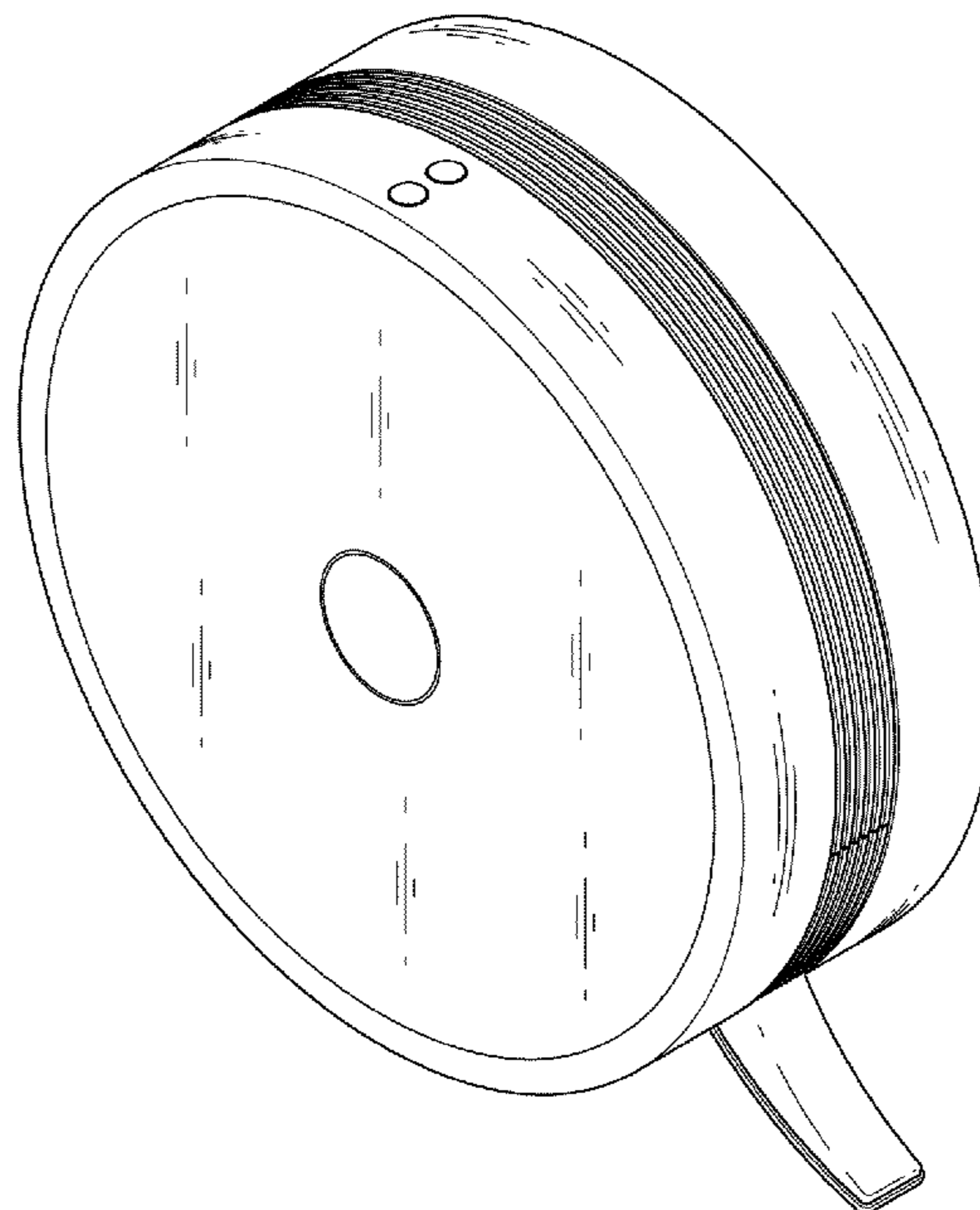


FIG. 1

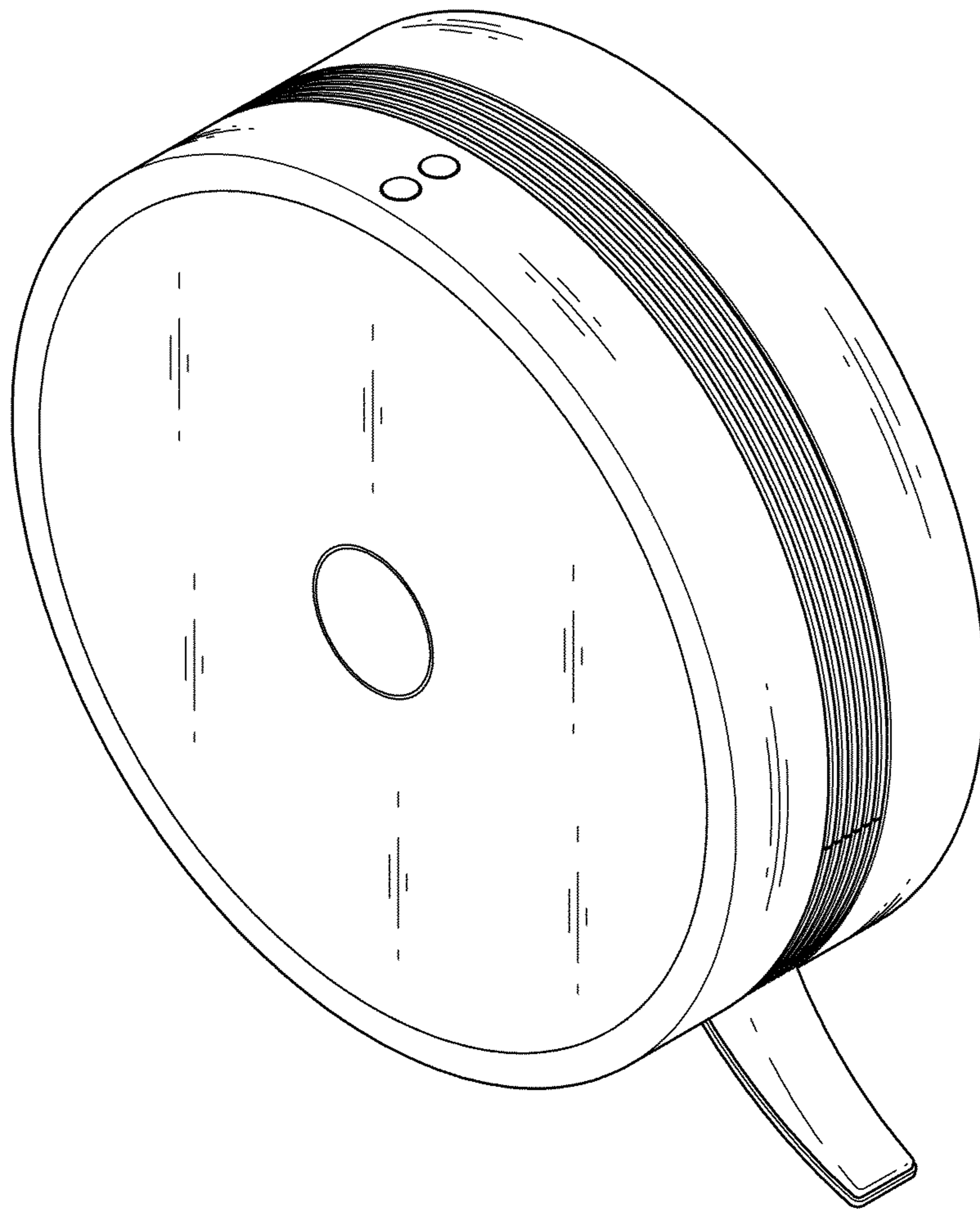


FIG. 2

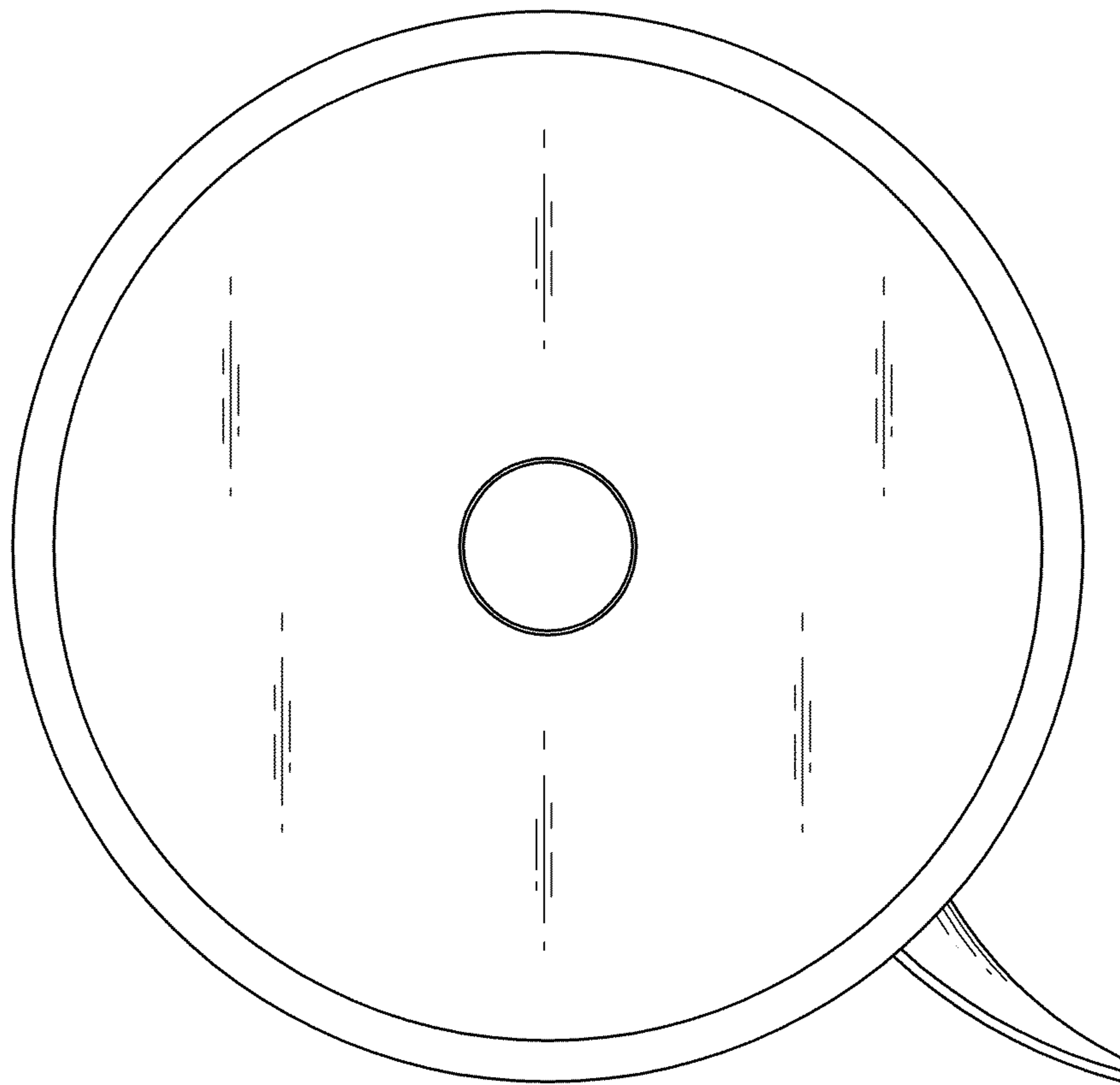


FIG. 3

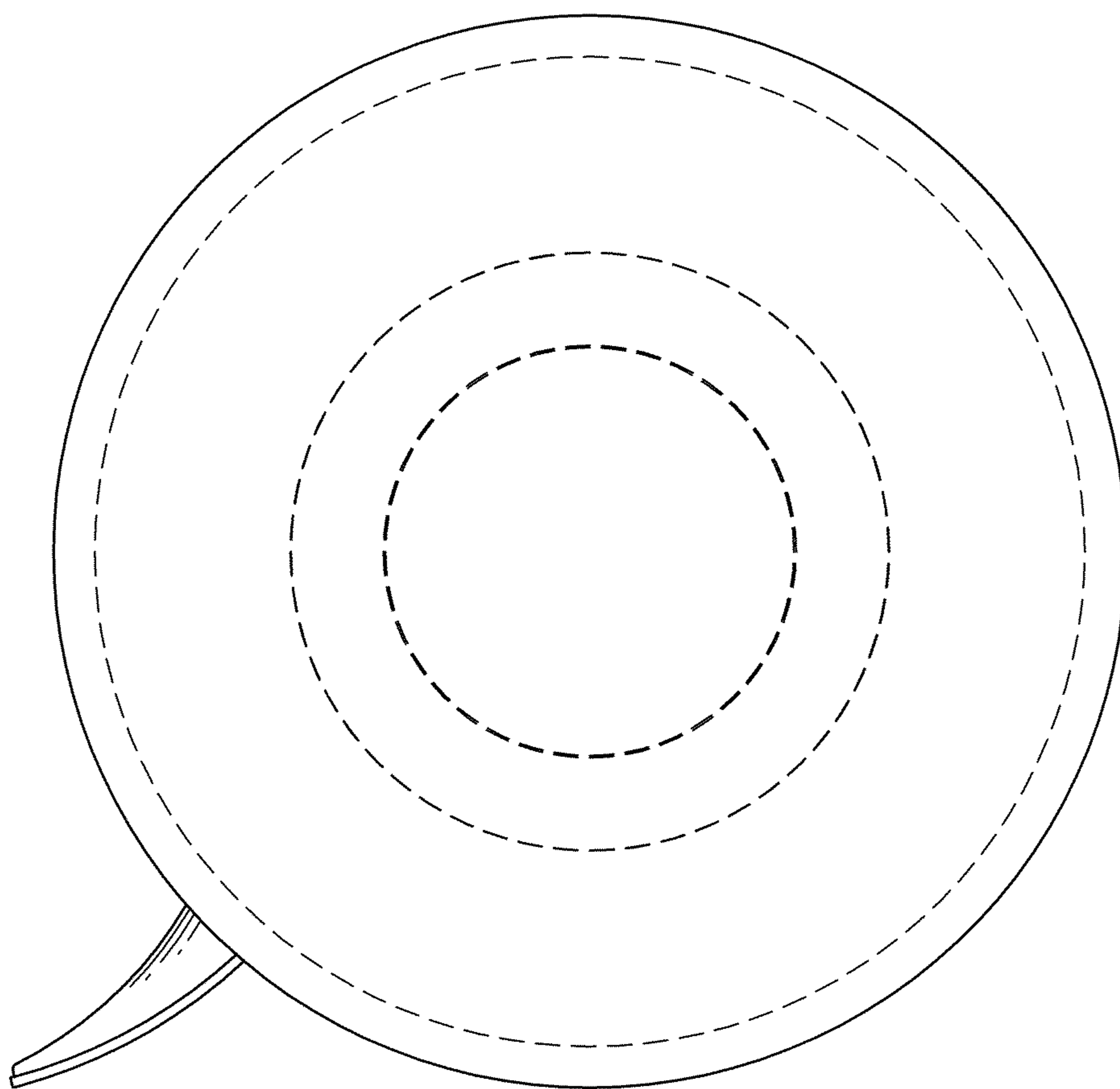


FIG. 4

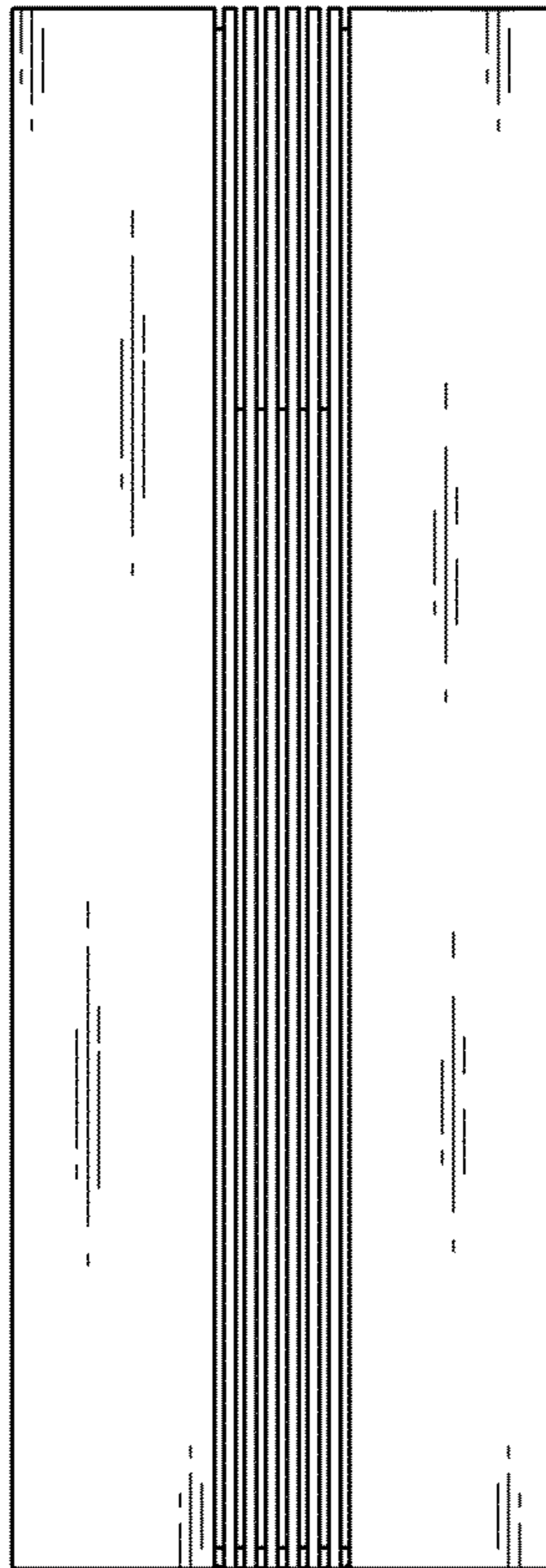


FIG. 5

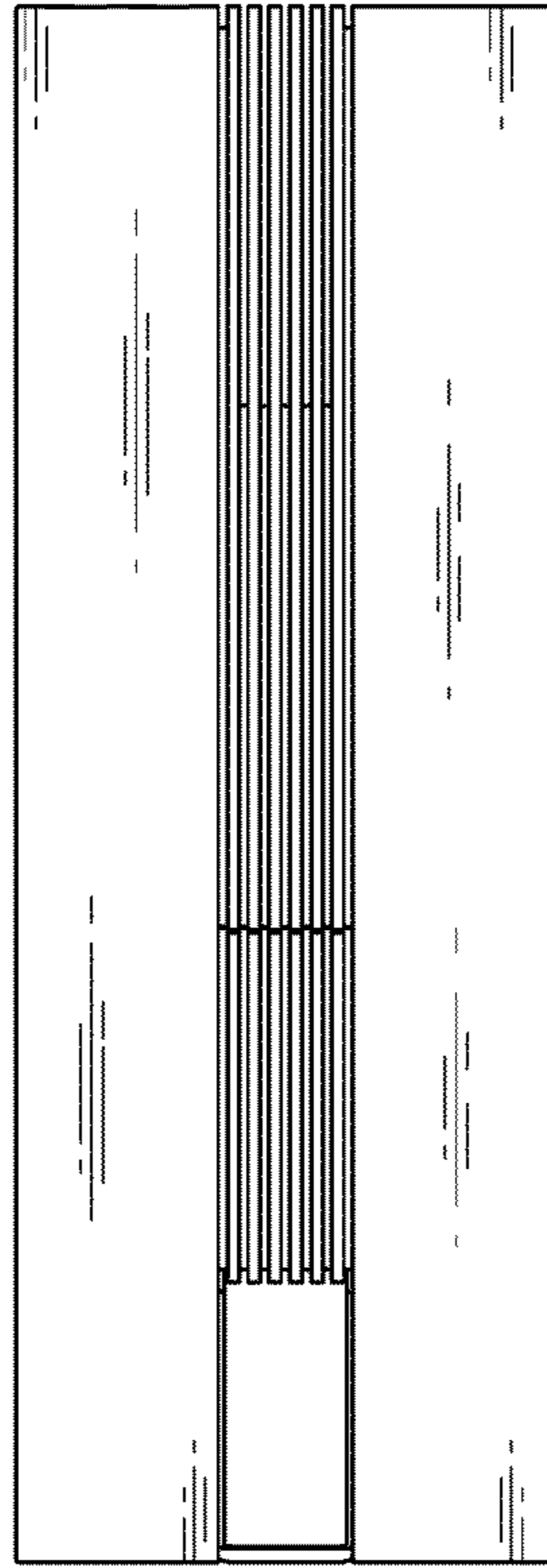


FIG. 6

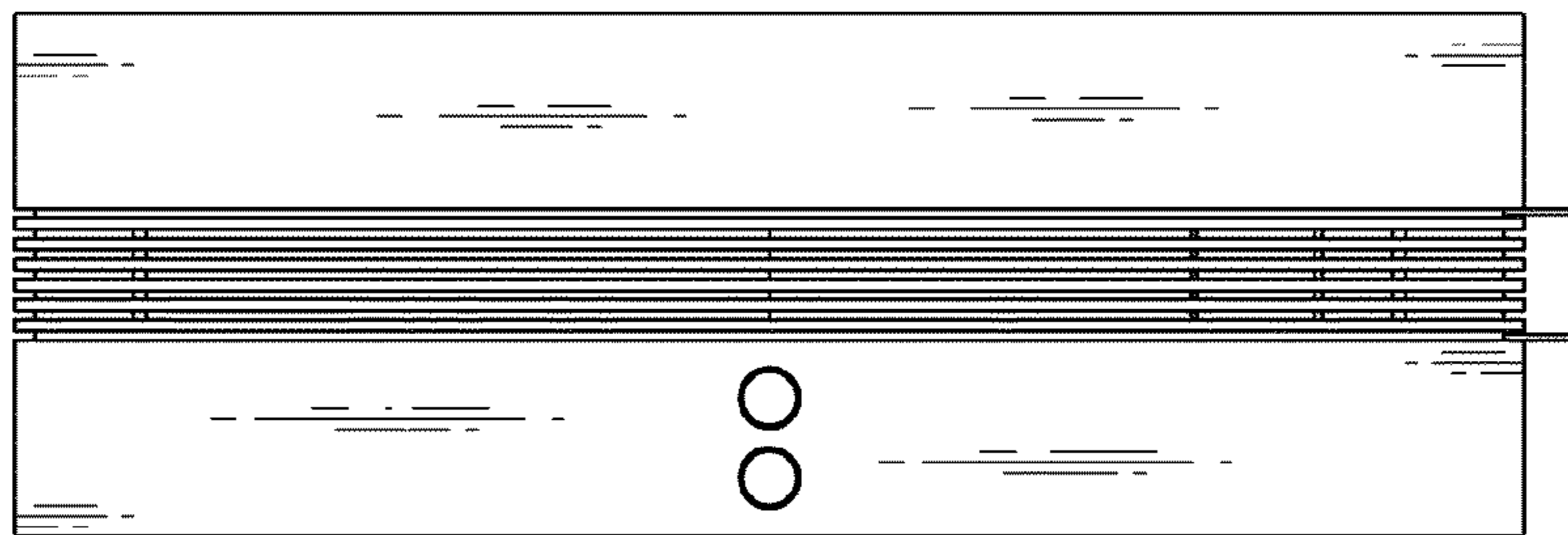


FIG. 7

