



US00D708727S

(12) **United States Design Patent**  
**Postma**

(10) **Patent No.:** **US D708,727 S**  
(45) **Date of Patent:** **\*\* Jul. 8, 2014**

- (54) **VAPORIZER HEATING ASSEMBLY**
- (75) Inventor: **Herbert F. Postma**, Boca Raton, FL (US)
- (73) Assignee: **Vaporfection International, Inc.**, Deerfield Beach, FL (US)
- (\*\*) Term: **14 Years**
- (21) Appl. No.: **29/406,839**
- (22) Filed: **Nov. 18, 2011**

D585,534 S	1/2009	Chen	
D596,614 S *	7/2009	Wilson .....	D14/188
D601,121 S *	9/2009	Chen .....	D14/167
D609,795 S	2/2010	Yeung	
D619,236 S	7/2010	Schlag et al.	
D624,524 S *	9/2010	Terzigni .....	D14/167
D634,729 S	3/2011	Endo et al.	
D649,236 S *	11/2011	Bilko et al. ....	D23/366
D655,270 S *	3/2012	Jain et al. ....	D14/167
D656,919 S *	4/2012	Skurdal .....	D14/171
D657,033 S *	4/2012	Chouji .....	D23/351
D657,857 S *	4/2012	Choi .....	D23/364
D664,636 S *	7/2012	Robinson et al. ....	D23/360
D677,774 S *	3/2013	Postma .....	D23/360
2007/0012796 A1 *	1/2007	Pohl .....	239/34

\* cited by examiner

**Related U.S. Application Data**

- (63) Continuation-in-part of application No. 29/386,670, filed on Mar. 3, 2011, now Pat. No. Des. 654,160.
  - (51) **LOC (10) Cl.** ..... **23-04**
  - (52) **U.S. Cl.**  
USPC ..... **D23/360**
  - (58) **Field of Classification Search**  
USPC ..... D23/355-366, 352, 369, 332, 333, 335, D23/336, 342, 351; 422/120, 122; 55/356, 55/473, 504; 96/97; D14/188, 170, 172; 261/DIG. 17, DIG. 65, DIG. 88, DIG. 31; D18/34.6
- See application file for complete search history.

*Primary Examiner* — David Muller

(74) *Attorney, Agent, or Firm* — The Concept Law Group, P.A.; Scott D. Smiley

(57) **CLAIM**

The ornamental design for a vaporizer heating assembly, as shown and described.

**DESCRIPTION**

FIG. 1 is a perspective downward-looking top view of a vaporizer heating assembly according to the present invention;  
 FIG. 2 is a perspective bottom view thereof;  
 FIG. 3 is top plan view thereof;  
 FIG. 4 is bottom plan view thereof;  
 FIG. 5 is a front elevation view thereof;  
 FIG. 6 is a rear elevation view thereof; and,  
 FIG. 7 is a side elevation view thereof.

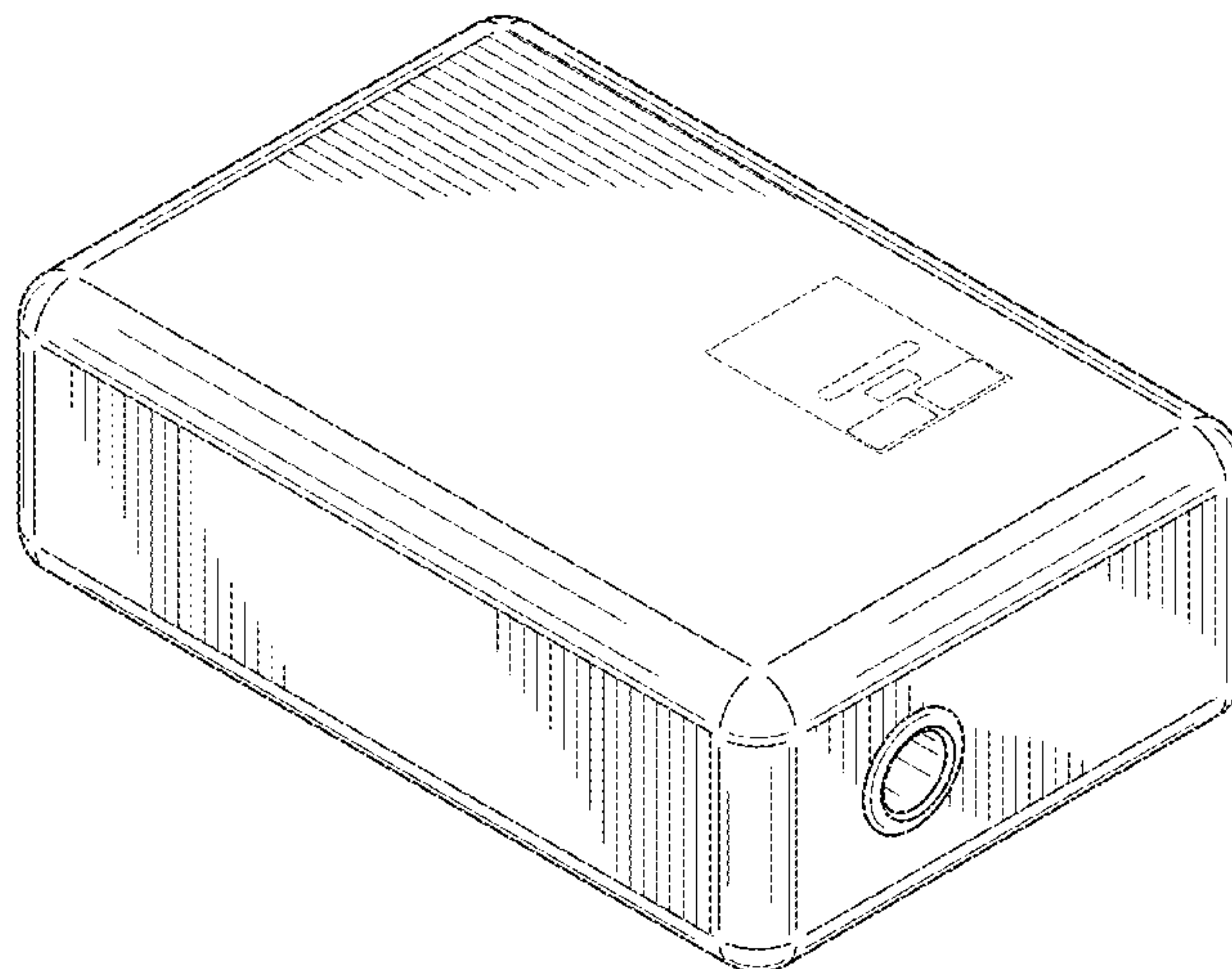
The broken lines showing functional display characters on the top surface form no part of the claimed design.  
 The broken lines showing an interior of the outer box through the air output port on the front surface and the air-intake holes and a power input on the rear surface form no part of the claimed design.

(56) **References Cited**

**U.S. PATENT DOCUMENTS**

D446,849 S	8/2001	Weinberg	
D497,897 S	11/2004	Modschiedler	
D512,493 S	12/2005	Haranaka	
D535,306 S	1/2007	Tokioka	
D538,783 S	3/2007	Lee	
D539,264 S	3/2007	Kim et al.	
D539,883 S	4/2007	Lee et al.	
D540,297 S	4/2007	Kim et al.	
D568,881 S *	5/2008	Hsiau .....	D14/370
D572,702 S *	7/2008	Bart .....	D14/171
D582,887 S	12/2008	Poandl	

**1 Claim, 5 Drawing Sheets**



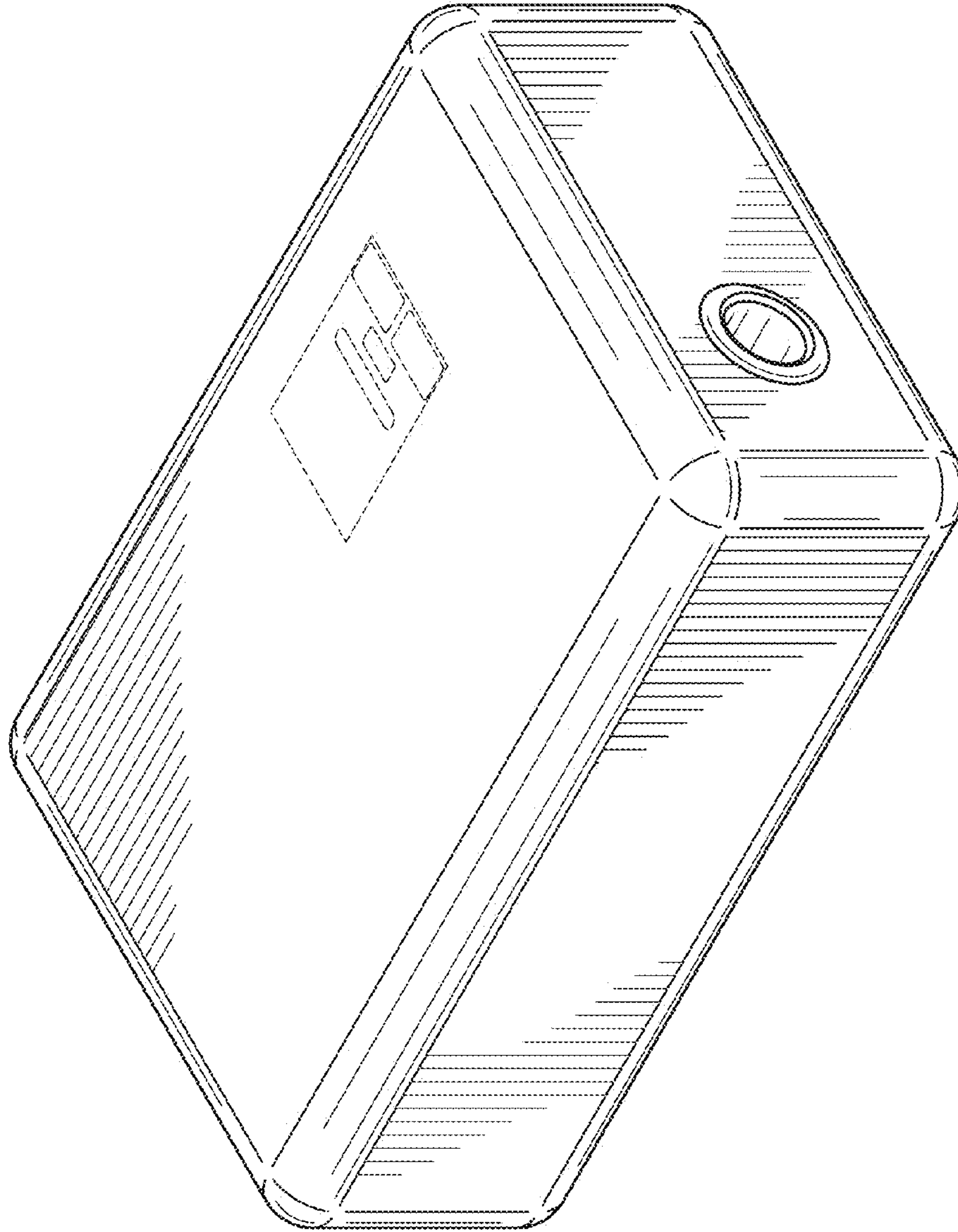


FIG. 1

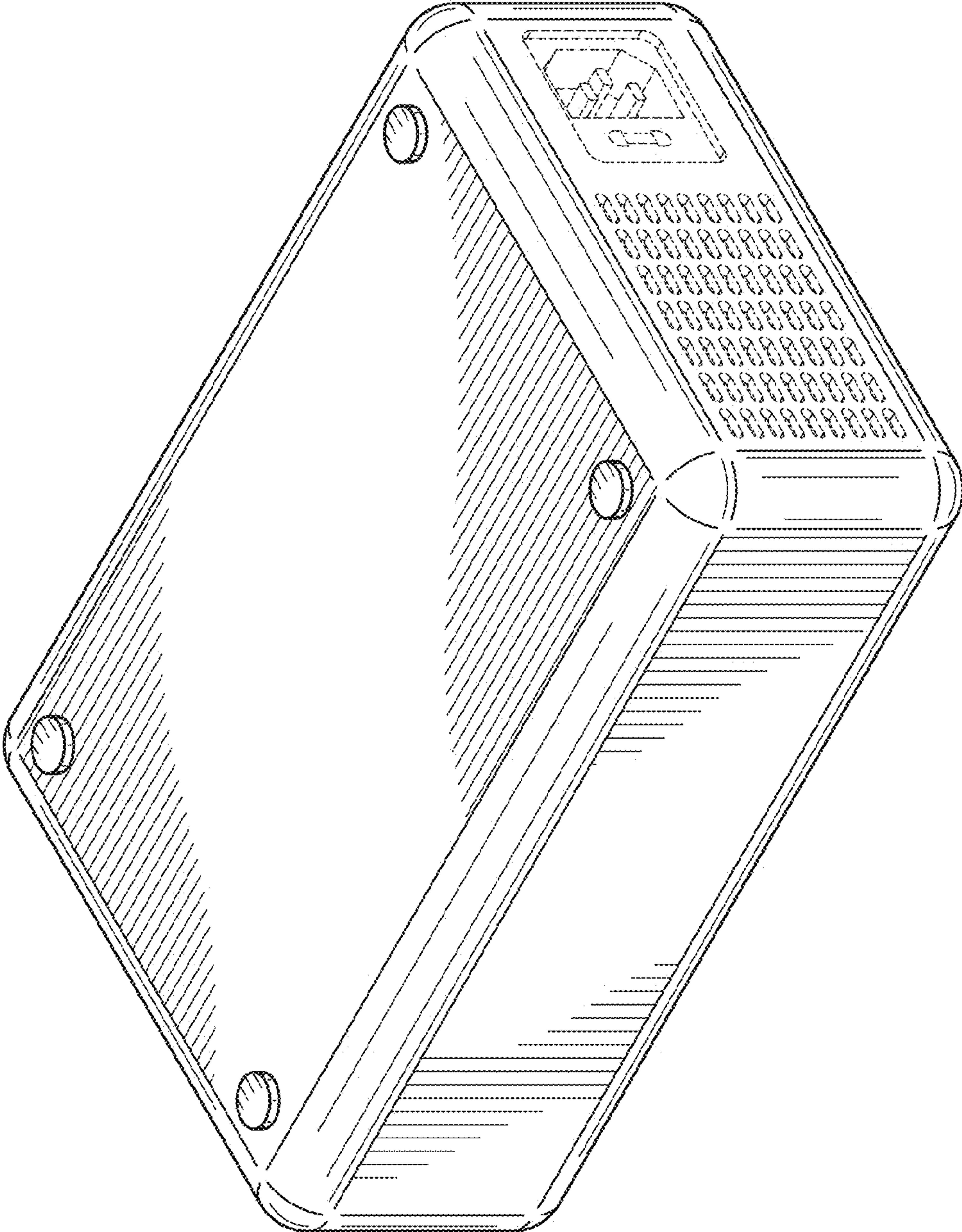


FIG. 2



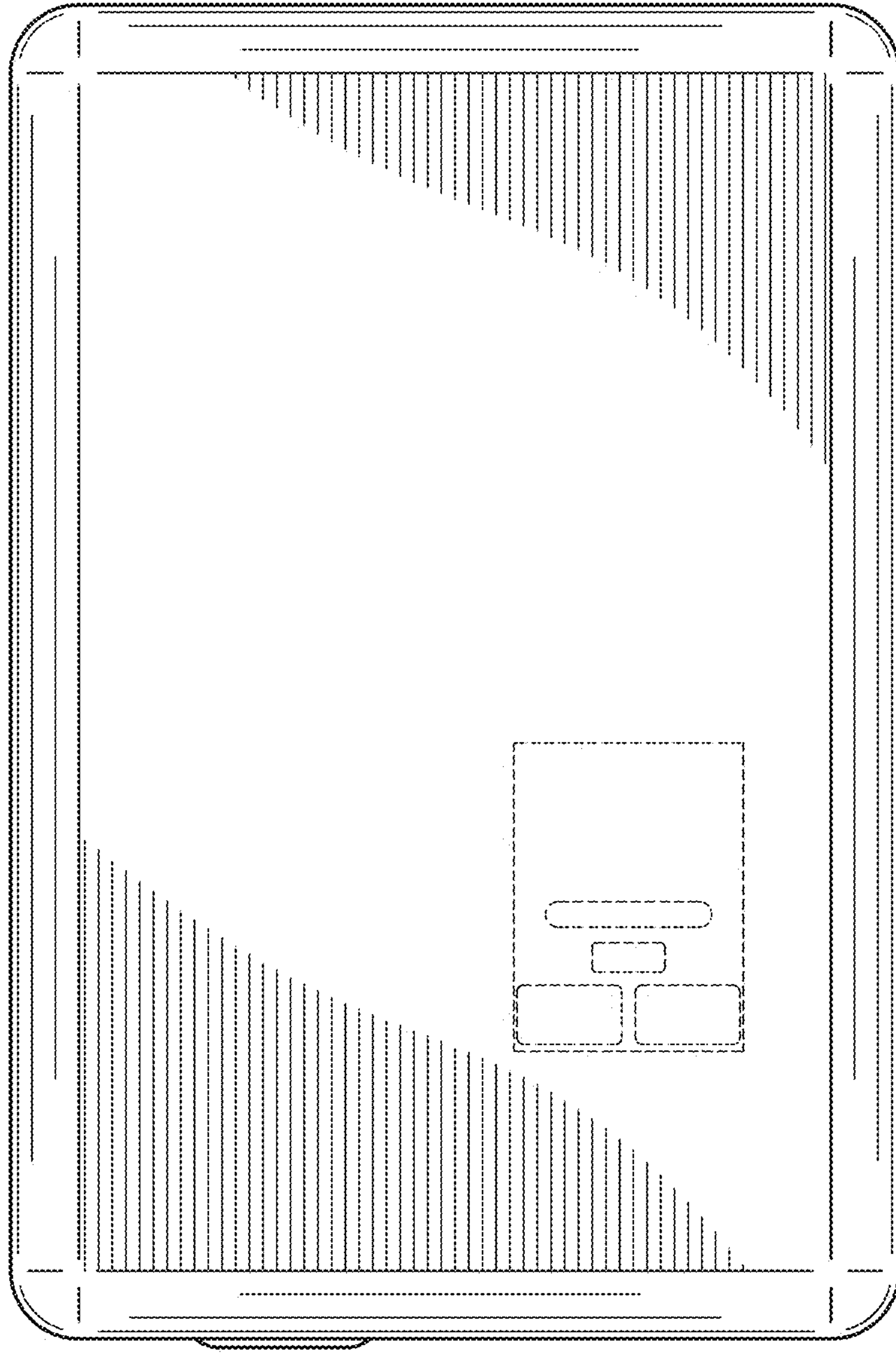


FIG. 3

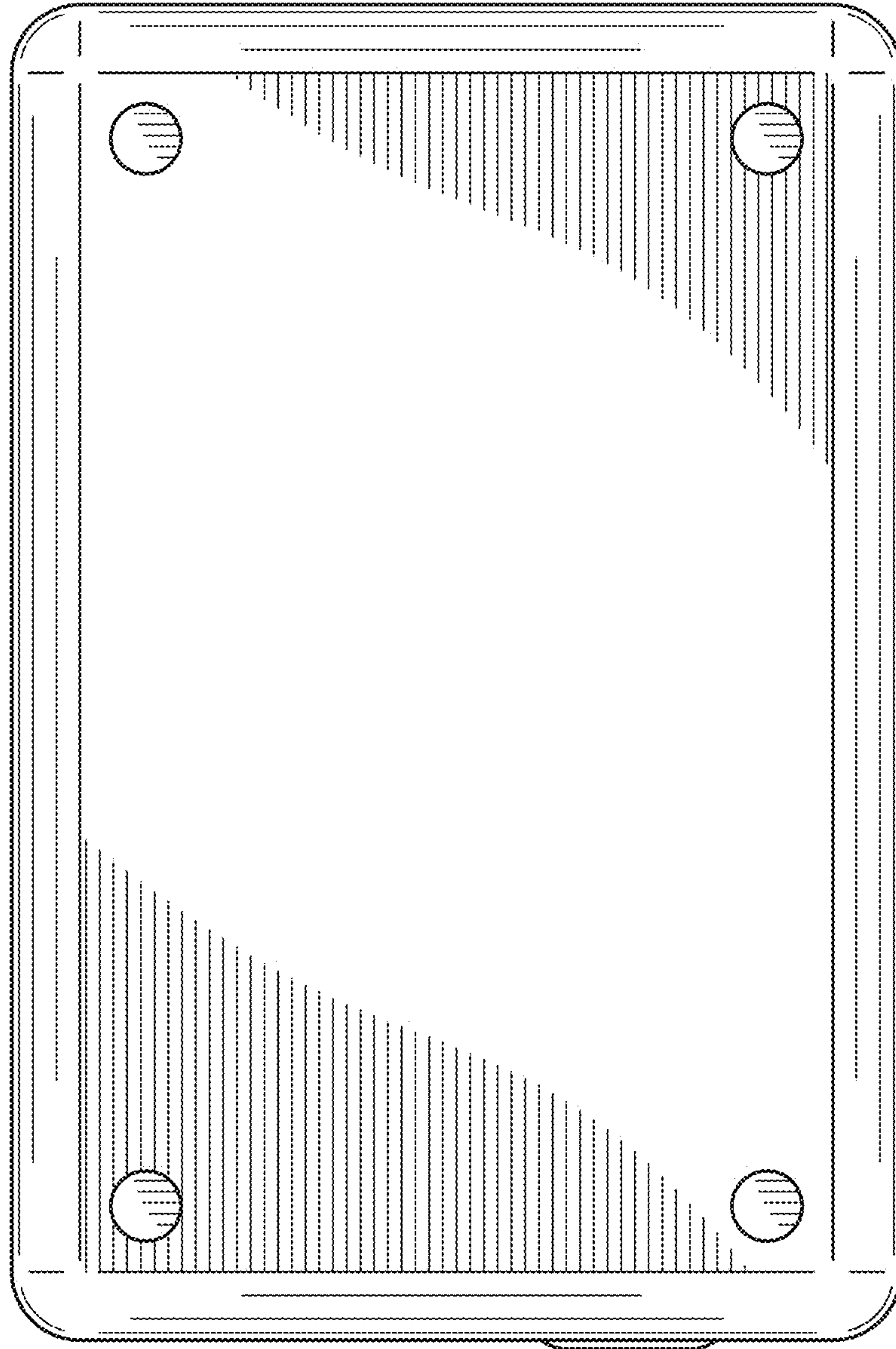


FIG. 4

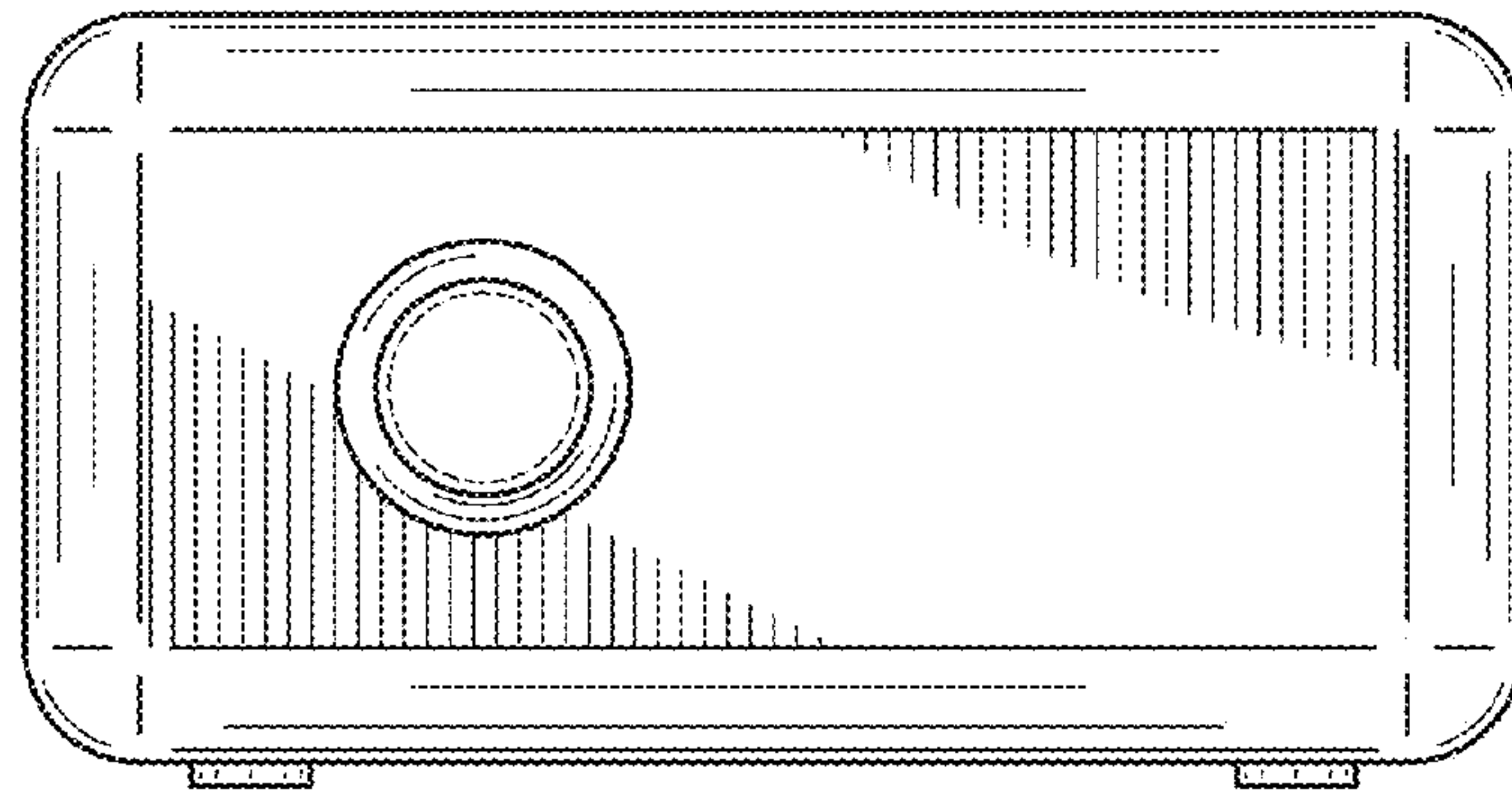


FIG. 5

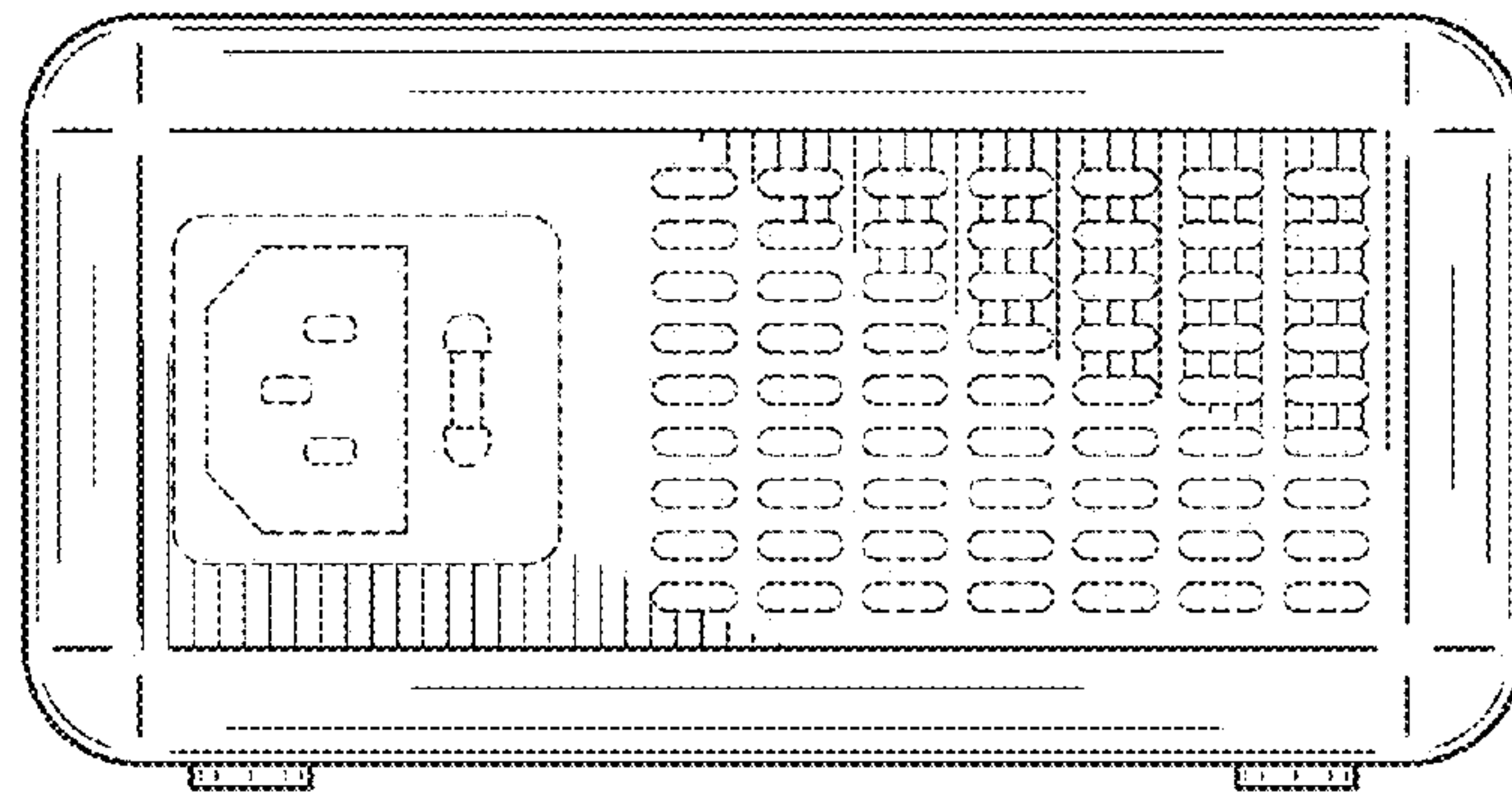


FIG. 6

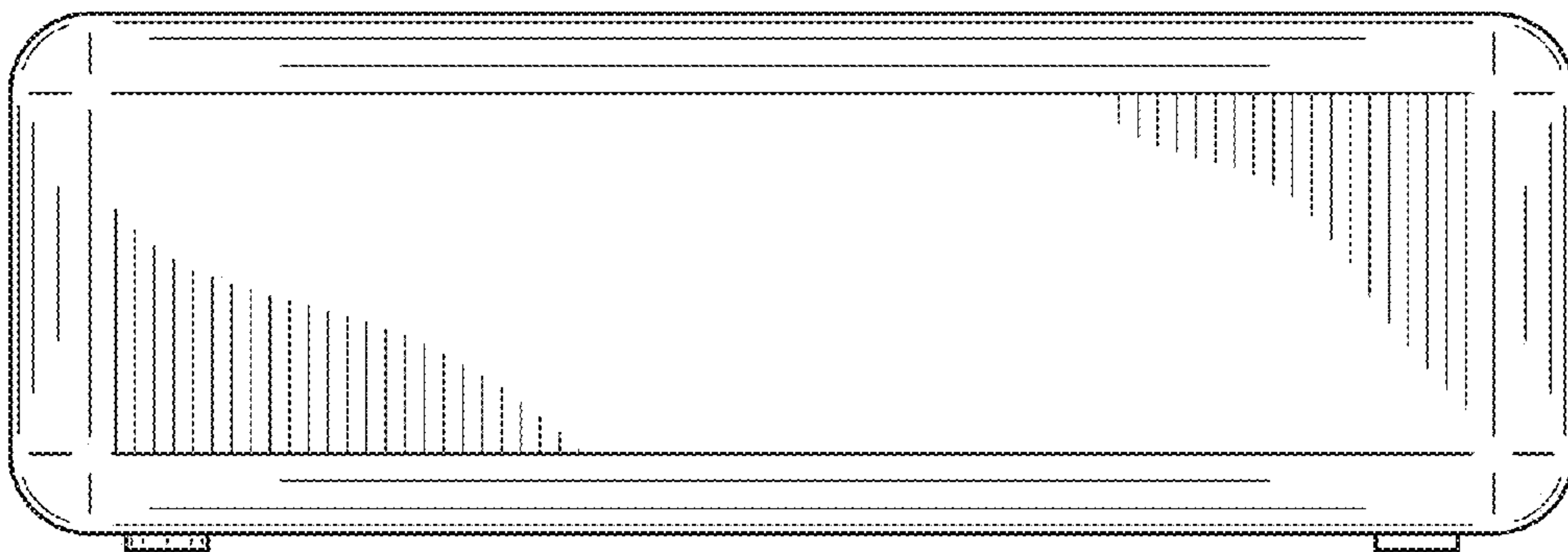


FIG. 7