



US00D708723S

(12) **United States Design Patent**
Risgallah

(10) **Patent No.:** **US D708,723 S**
(45) **Date of Patent:** **** Jul. 8, 2014**

- (54) **PROTECTIVE TOILET COVER**
- (71) Applicant: **Laila Risgallah**, Atlanta, GA (US)
- (72) Inventor: **Laila Risgallah**, Atlanta, GA (US)
- (**) Term: **14 Years**
- (21) Appl. No.: **29/449,216**
- (22) Filed: **Mar. 14, 2013**
- (51) **LOC (10) Cl.** **23-02**
- (52) **U.S. Cl.**
USPC **D23/311**
- (58) **Field of Classification Search**
USPC D23/303, 311-312, 309; 4/245.1,
4/245.3-245.9
See application file for complete search history.

D653,319 S 1/2012 Eaddy
8,196,228 B1 6/2012 Gyurjyan
2002/0184701 A1 12/2002 Johnson

FOREIGN PATENT DOCUMENTS

JP 2009297487 A 12/2009

* cited by examiner

Primary Examiner — Robert Delehanty

(57) **CLAIM**

The ornamental design for the protective toilet cover, as shown and described.

DESCRIPTION

FIG. 1 is a side elevation of the toilet cover of the present invention;

FIG. 2 is a plan view; and,

FIG. 3 is a front view.

The bottom view is the same as the top view and is, therefore, not shown. The invention is substantially two dimensional without contour on the top side or bottom sides and, therefore, side views are not provided. The broken line aspects of the figure depict elements that are not part of the design sought to be patented and form no part of the claimed design.

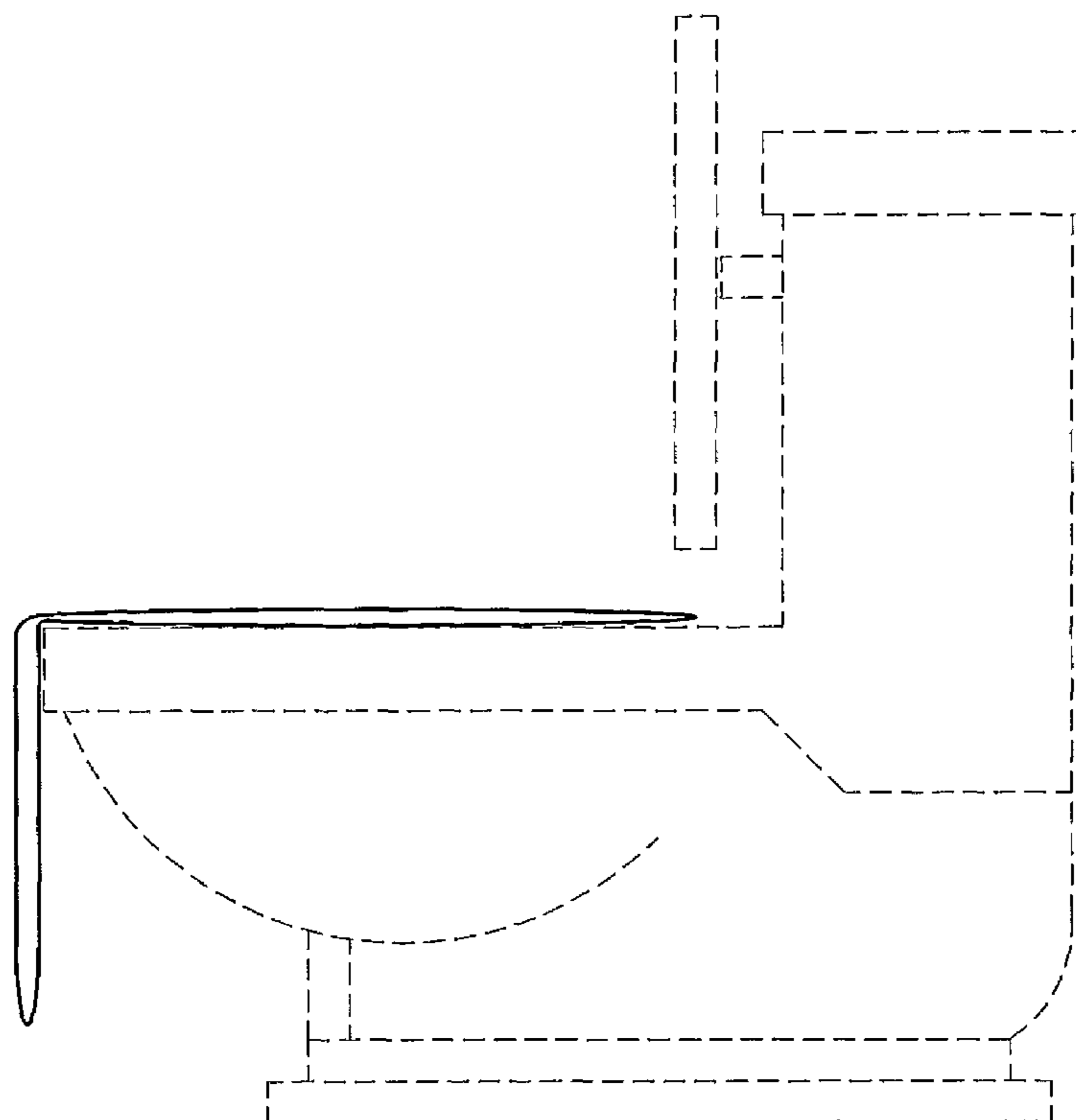
The protective toilet cover of the present invention is designed to protect the user and his clothes from contact with the toilet seat and front of the toilet pedestal. These areas are those most often in contact with the user or his clothes and prone to contamination.

(56) **References Cited**

U.S. PATENT DOCUMENTS

597,264 A	1/1898	Conradi, Jr.	
1,221,661 A	4/1917	Bloch	
1,482,749 A	2/1919	Juline	
1,377,541 A	5/1921	Young	
1,522,699 A	1/1925	Reid	
1,830,344 A	11/1931	Akesson	
4,935,969 A	6/1990	Farnsworth	
5,557,809 A	9/1996	Adams	
6,851,131 B1	2/2005	Adams	
D649,626 S *	11/2011	Kim et al. D23/311

1 Claim, 3 Drawing Sheets



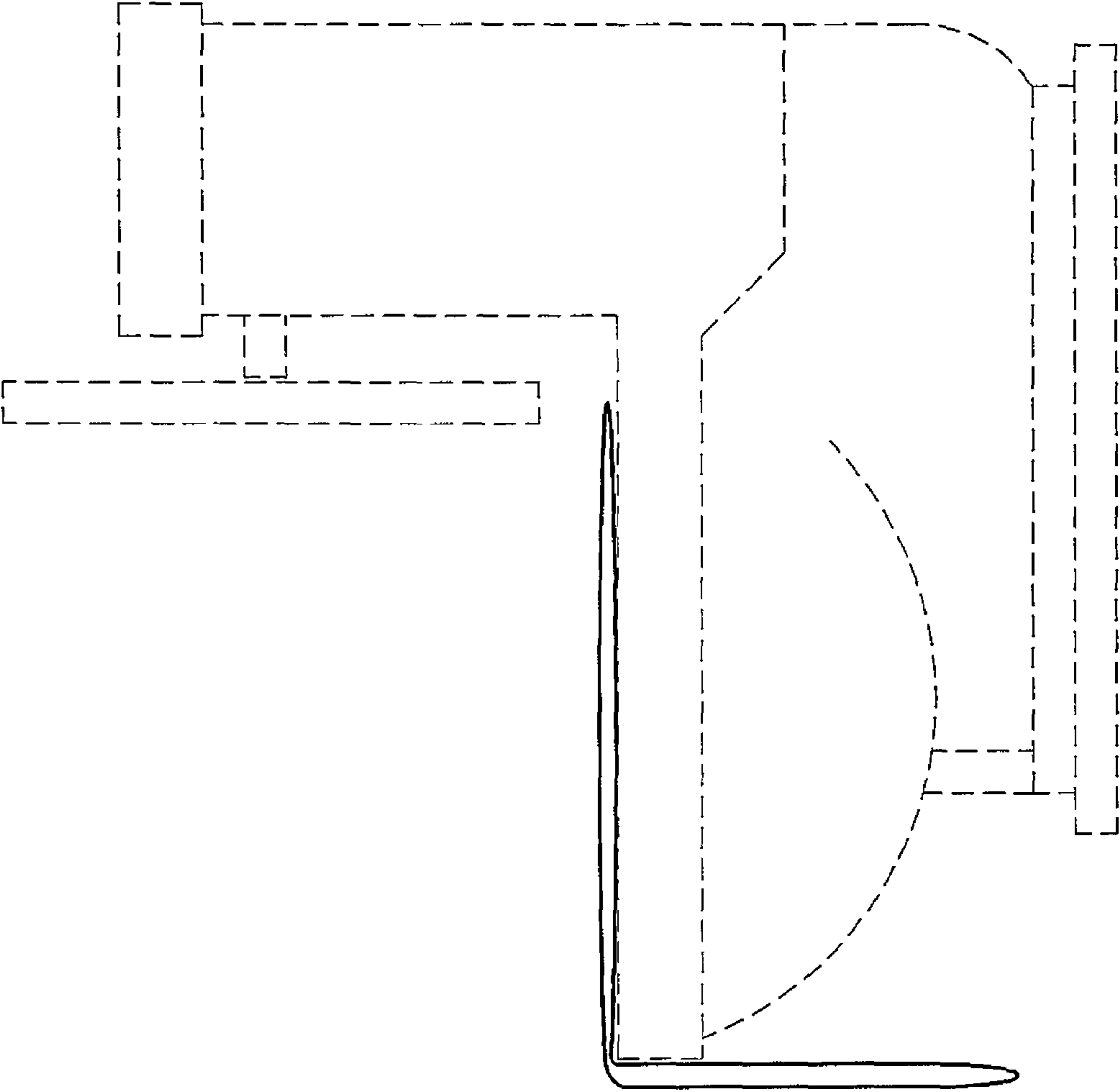


FIG. 1

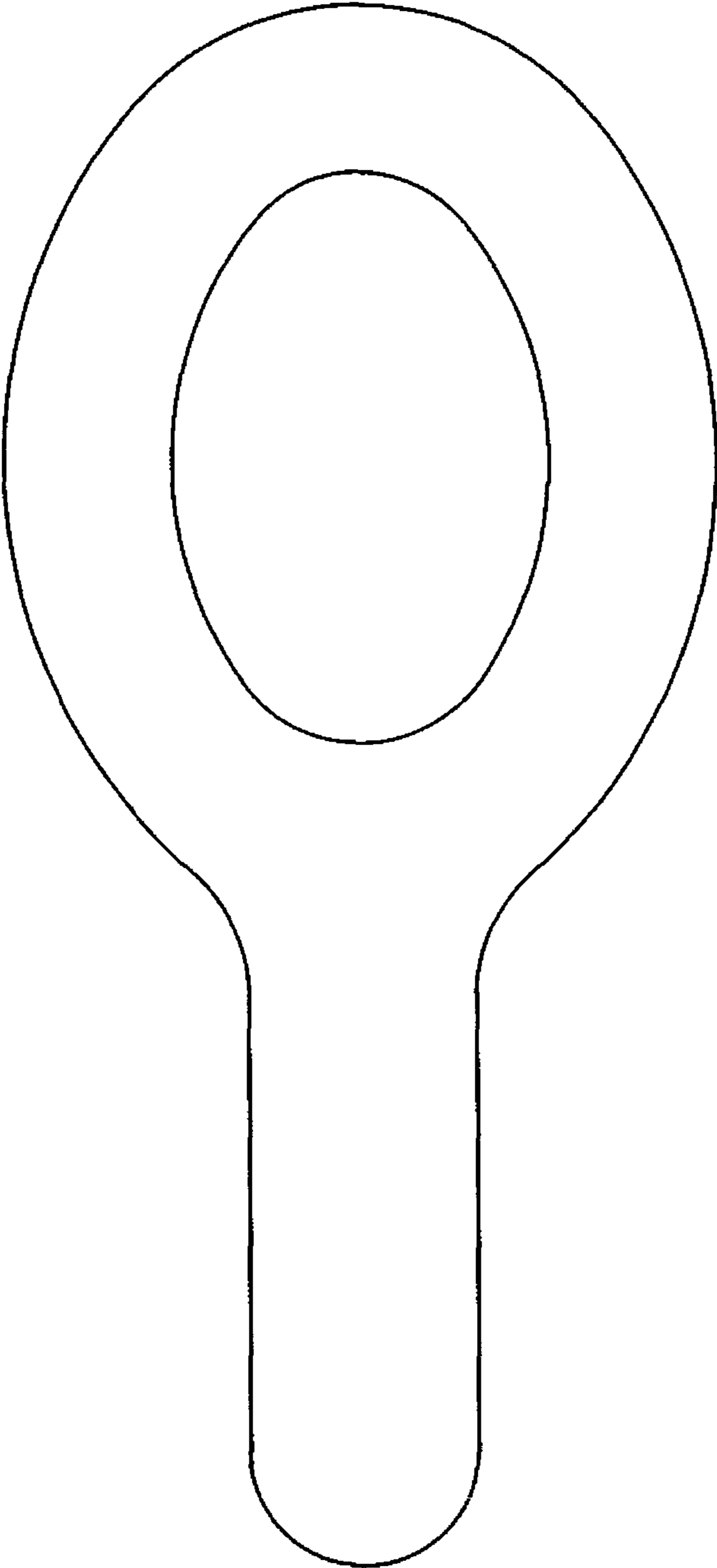


FIG. 2

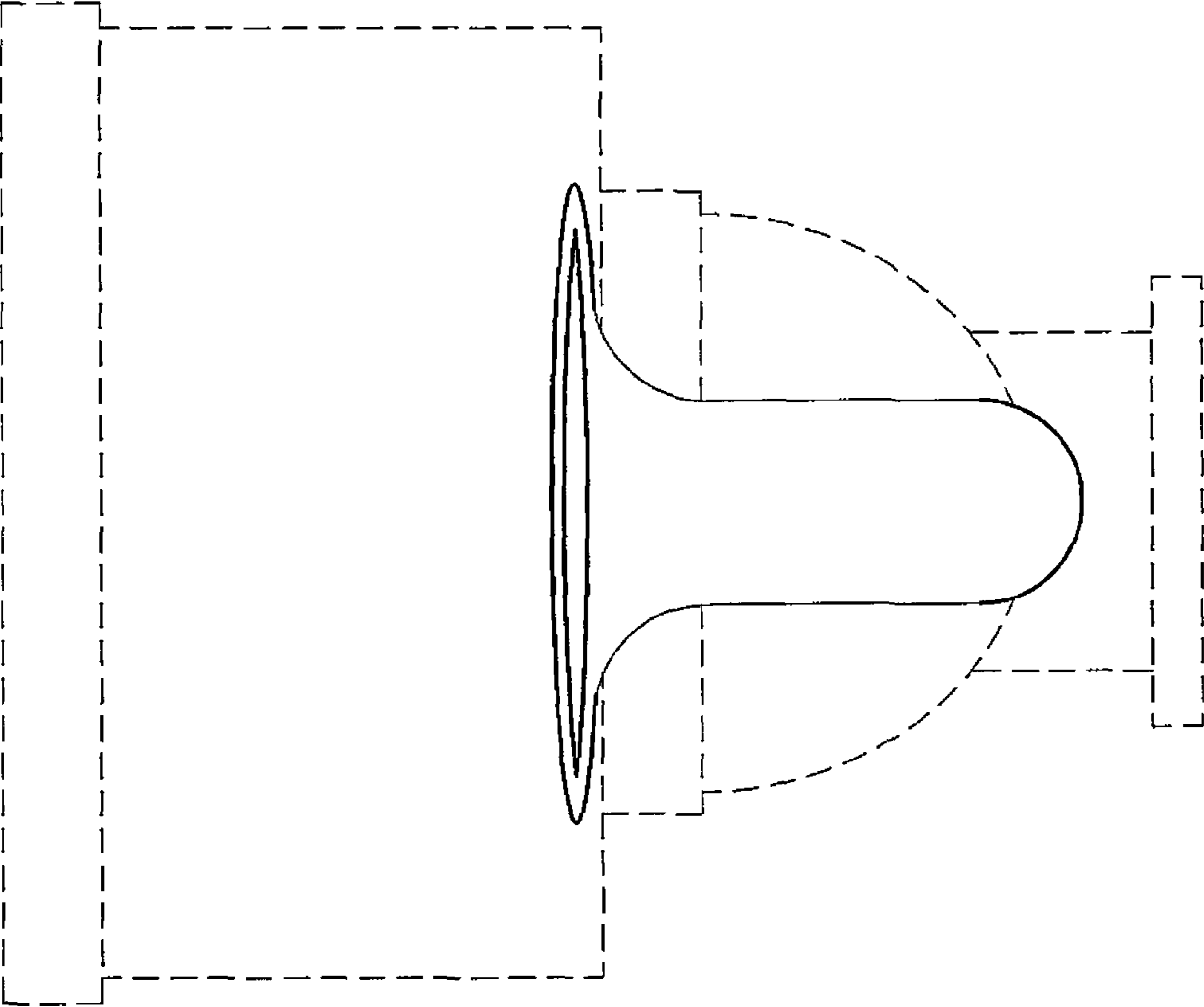


FIG. 3