



US00D708722S

(12) **United States Design Patent**  
**Jochim et al.**

(10) **Patent No.:** **US D708,722 S**  
(45) **Date of Patent:** **\*\* Jul. 8, 2014**

- (54) **TOILET**
- (71) Applicant: **Dometic GmbH**, Siegen (DE)
- (72) Inventors: **Tim Jochim**, Wilnsdorf (DE); **Andrew Moseley**, Herborn (DE); **Jens Oxenfarth**, Ennepetal (DE)
- (73) Assignee: **Dometic GmbH**, Siegen (DE)
- (\*\*) Term: **14 Years**
- (21) Appl. No.: **29/484,440**
- (22) Filed: **Mar. 10, 2014**

- D222,060 S 9/1971 Quintana
- D231,458 S 4/1974 Fulton et al.
- 3,885,254 A 5/1975 West
- D242,620 S 12/1976 Frankel et al.
- D255,597 S 6/1980 Sargent et al.
- D257,071 S 9/1980 Yonezawa
- D261,799 S 11/1981 Alger
- D271,707 S 12/1983 DeGraw et al.
- D271,708 S 12/1983 DeGraw et al.
- 4,603,443 A 8/1986 Stewart
- D385,021 S 10/1997 White
- D473,636 S 4/2003 Barry
- D487,138 S 2/2004 Billsund et al.
- D508,116 S 8/2005 Tani et al.
- 7,325,257 B2 2/2008 Kolar et al.
- D587,791 S 3/2009 Jaeckel et al.
- D646,366 S 10/2011 Palomba et al.
- D678,486 S 3/2013 Bickerstaffe et al.

**Related U.S. Application Data**

- (62) Division of application No. 29/446,036, filed on Feb. 20, 2013.

*Primary Examiner* — Robert Delehanty

(74) *Attorney, Agent, or Firm* — Pearne & Gordon LLP

(30) **Foreign Application Priority Data**

Aug. 23, 2012 (EM) ..... 002091496

(51) **LOC (10) Cl.** ..... **23-02**

(52) **U.S. Cl.**  
USPC ..... **D23/309**

(58) **Field of Classification Search**  
USPC ..... D23/295–296, 299, 301, 303, 309, 313;  
4/300, 315, 353, 42, 460, 234, 242.1,  
4/237, 239

See application file for complete search history.

(56) **References Cited**

**U.S. PATENT DOCUMENTS**

- D101,441 S 10/1936 Dreyfuss
- D116,810 S 9/1939 Uphues

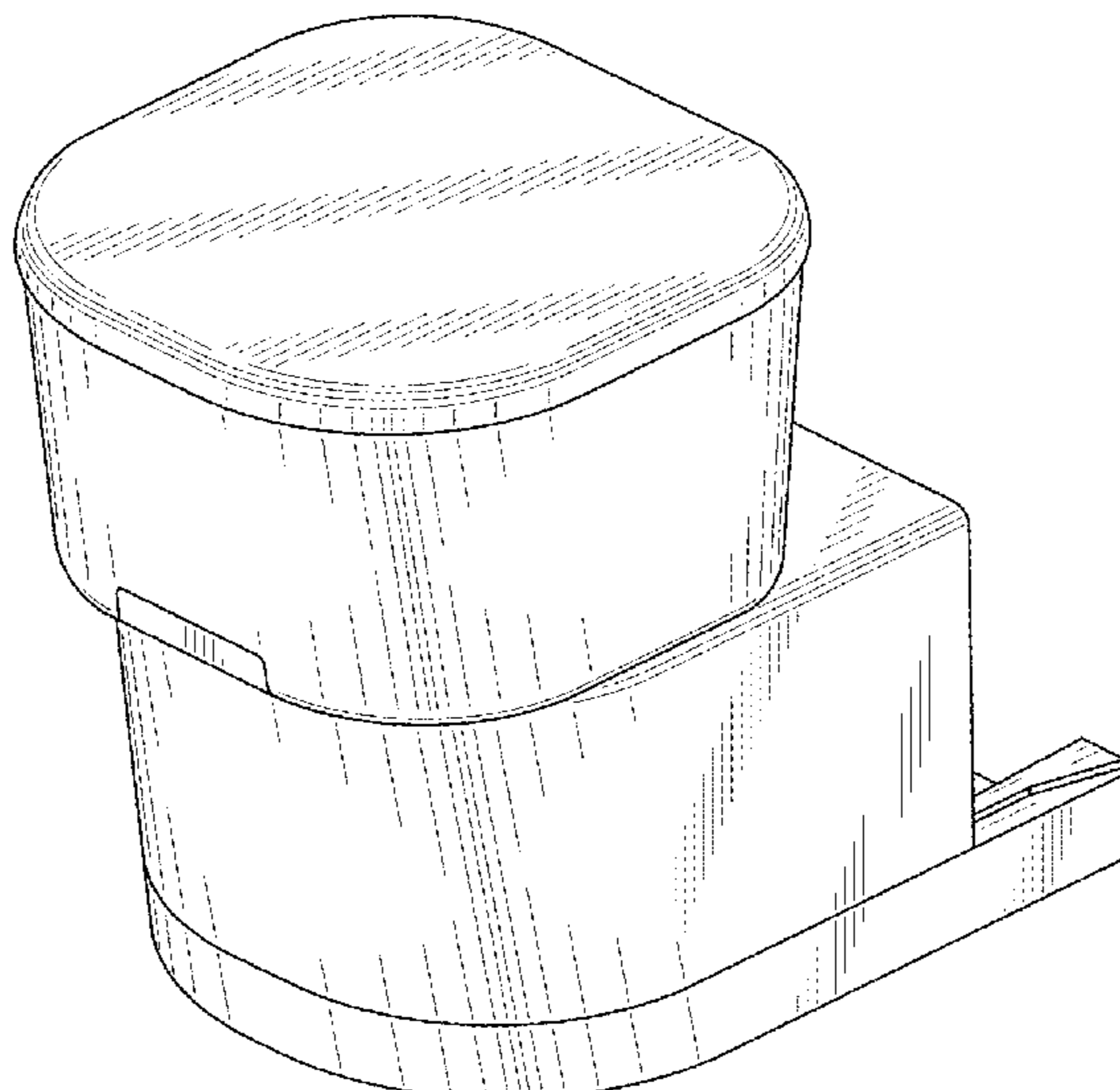
(57) **CLAIM**

The ornamental design for a toilet, as shown and described.

**DESCRIPTION**

FIG. 1 is an isometric view of a first toilet showing our new design;  
 FIG. 2 is another isometric view thereof with a portion rotated;  
 FIG. 3 is another isometric view thereof with a portion rotated;  
 FIG. 4 is a right side view thereof;  
 FIG. 5 is a top view thereof;  
 FIG. 6 is a left side view thereof; and,  
 FIG. 7 is a front view thereof.

**1 Claim, 7 Drawing Sheets**



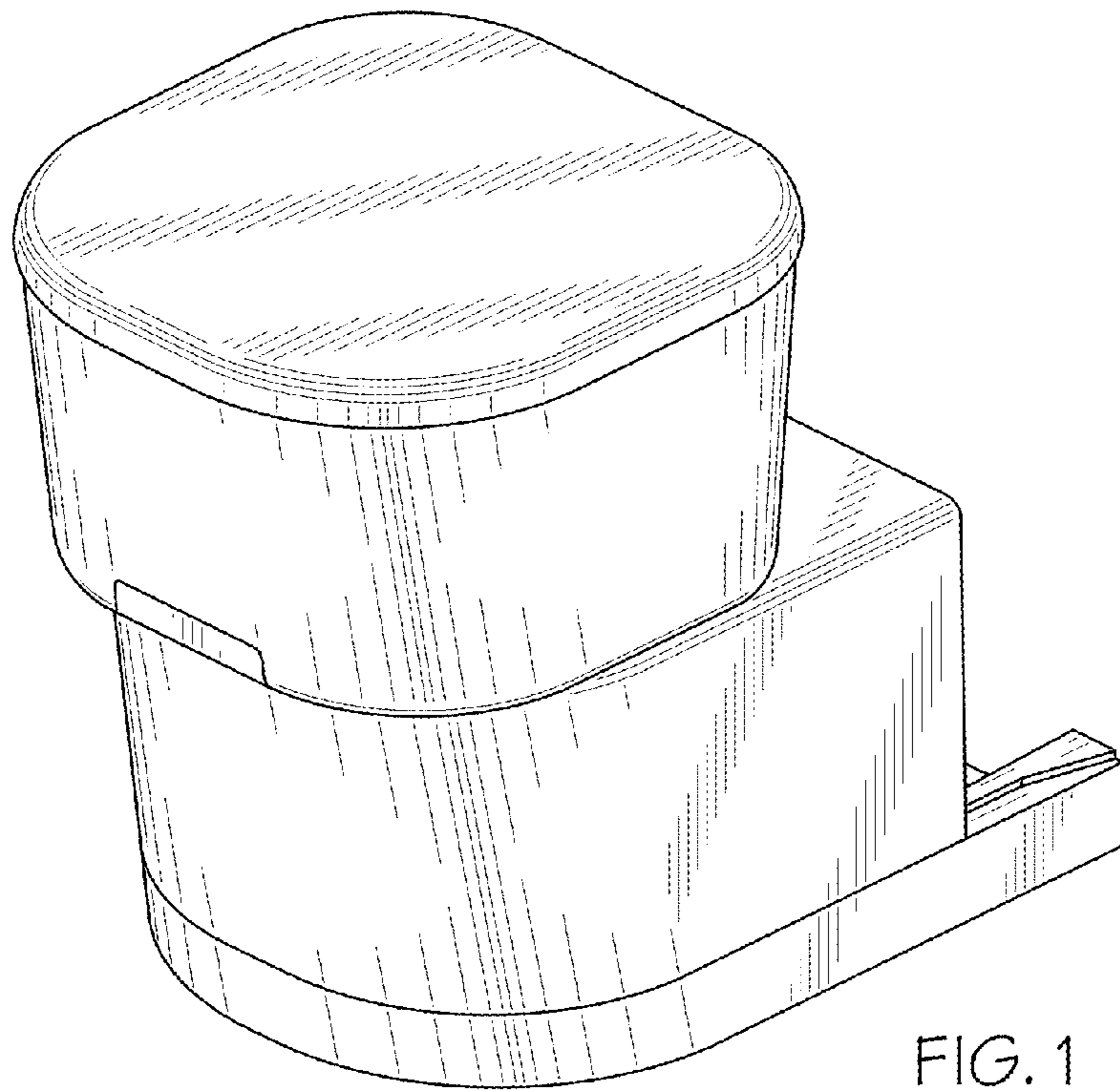


FIG. 1

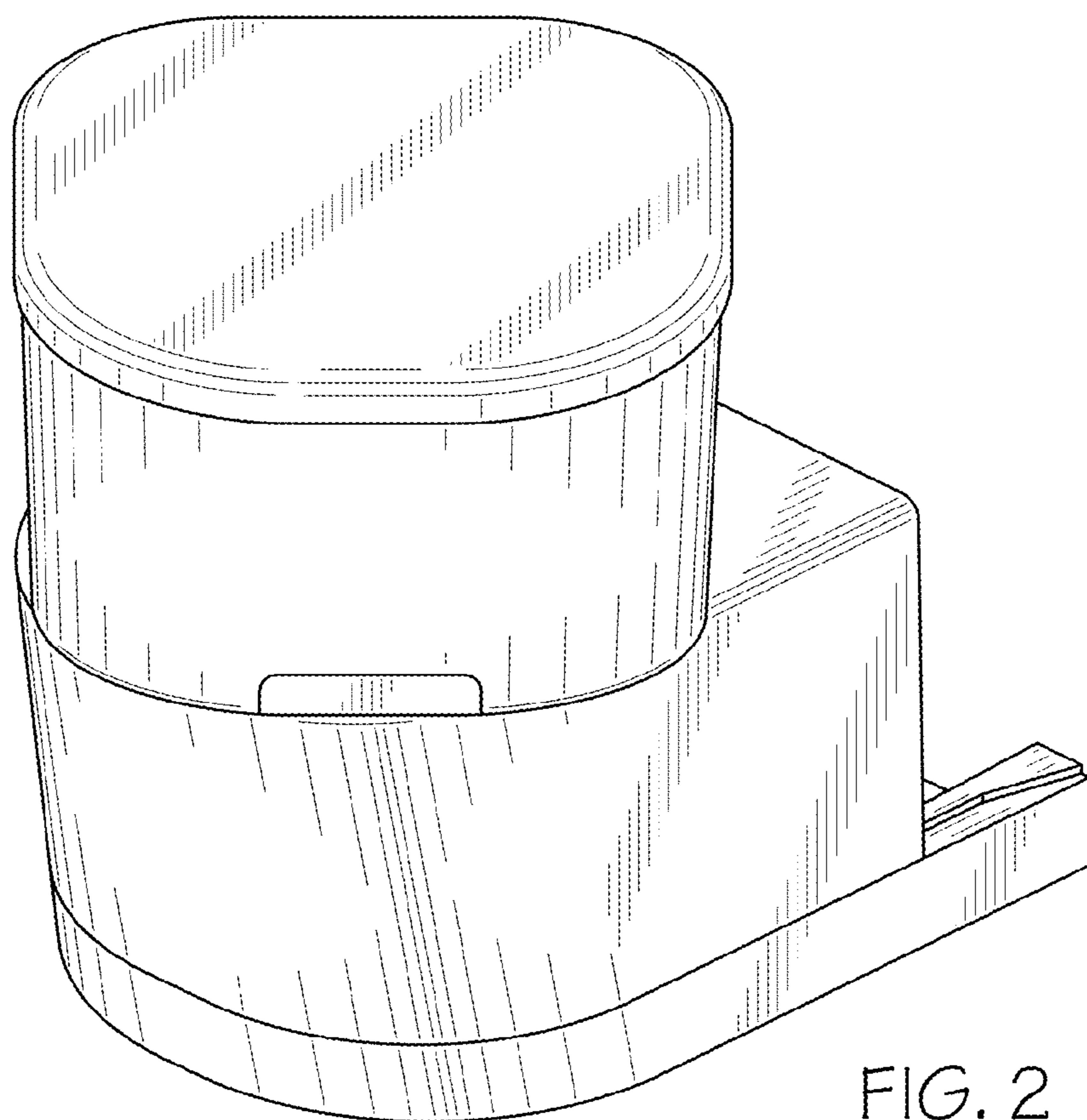


FIG. 2

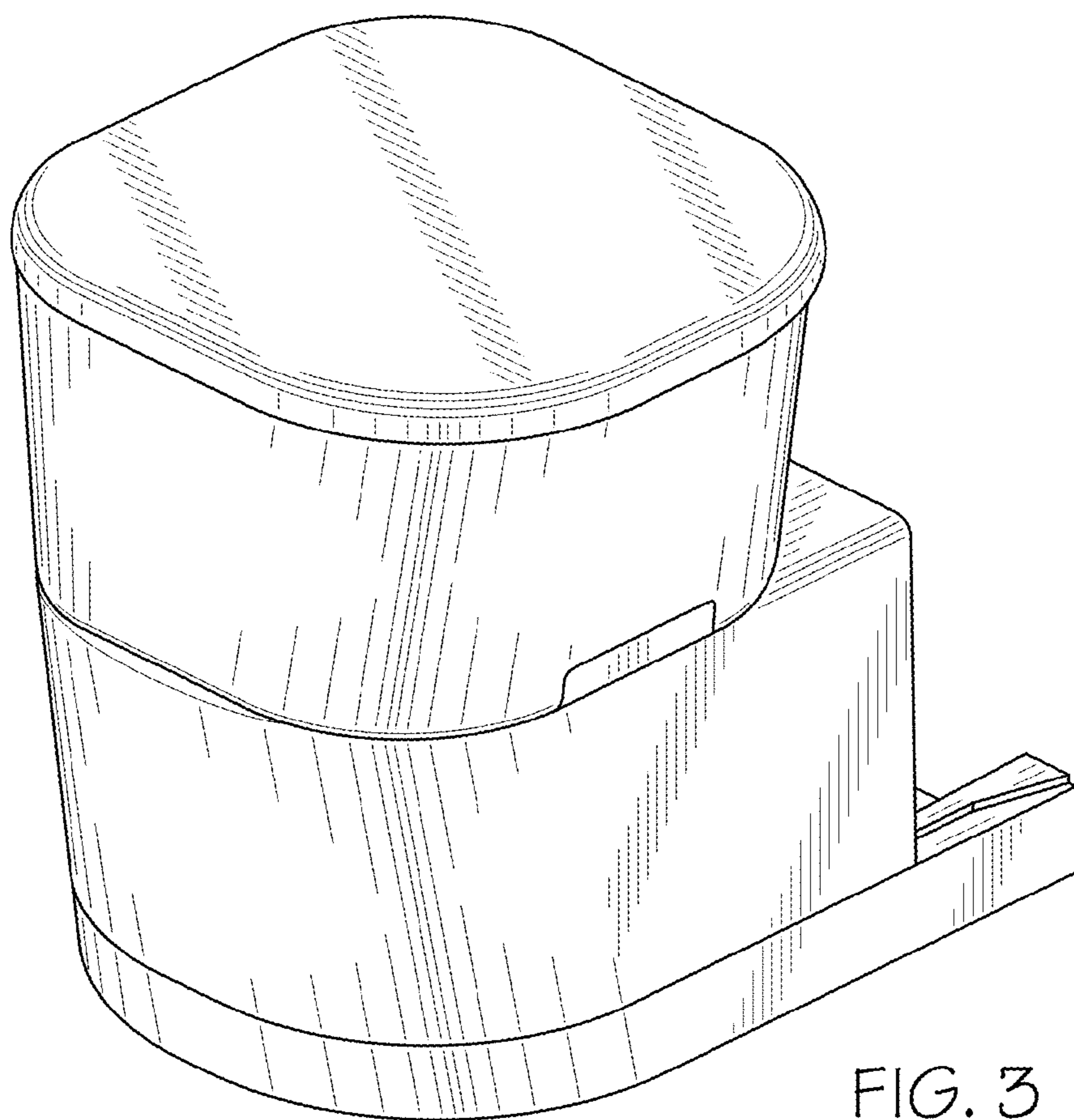


FIG. 3

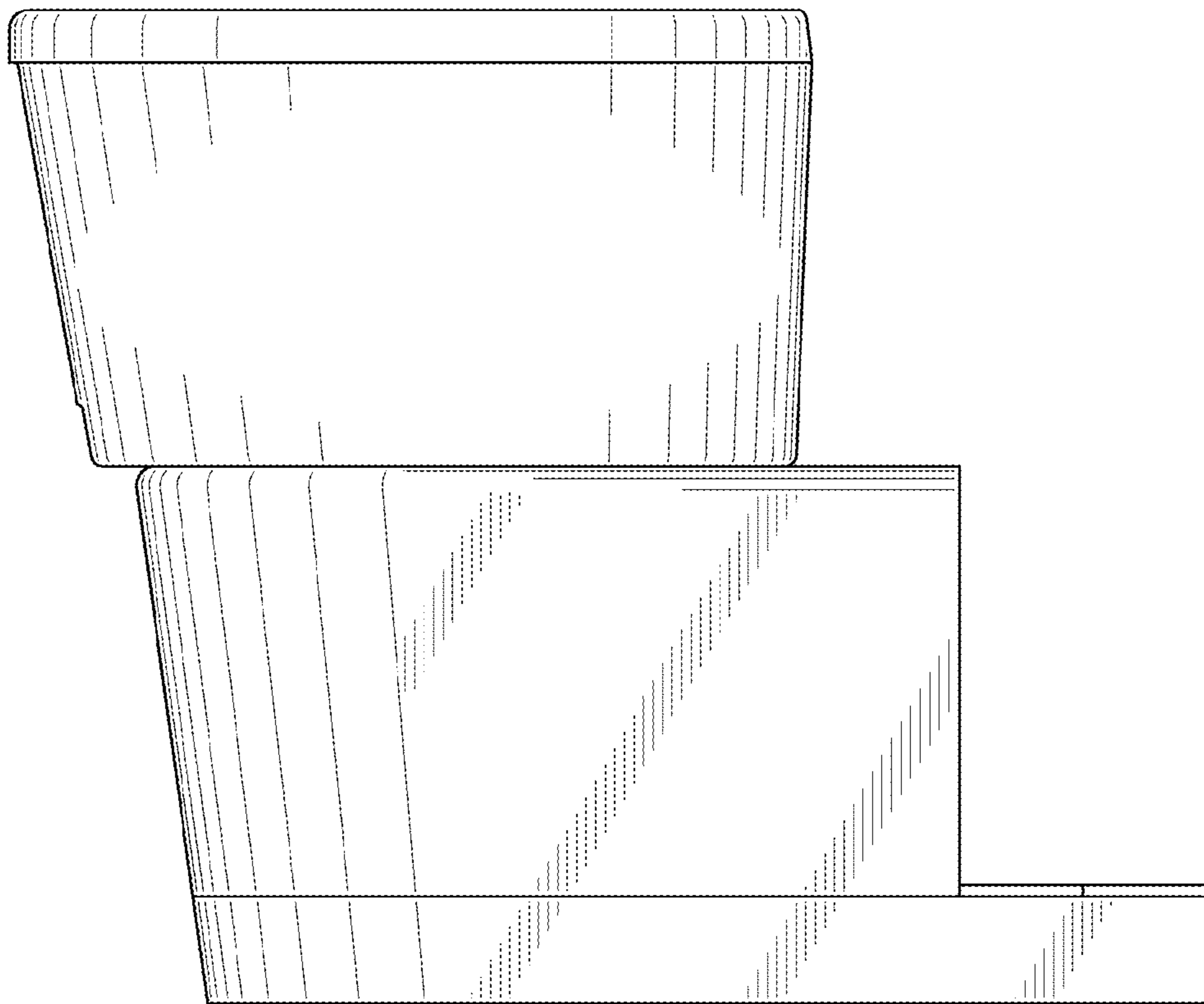


FIG. 4

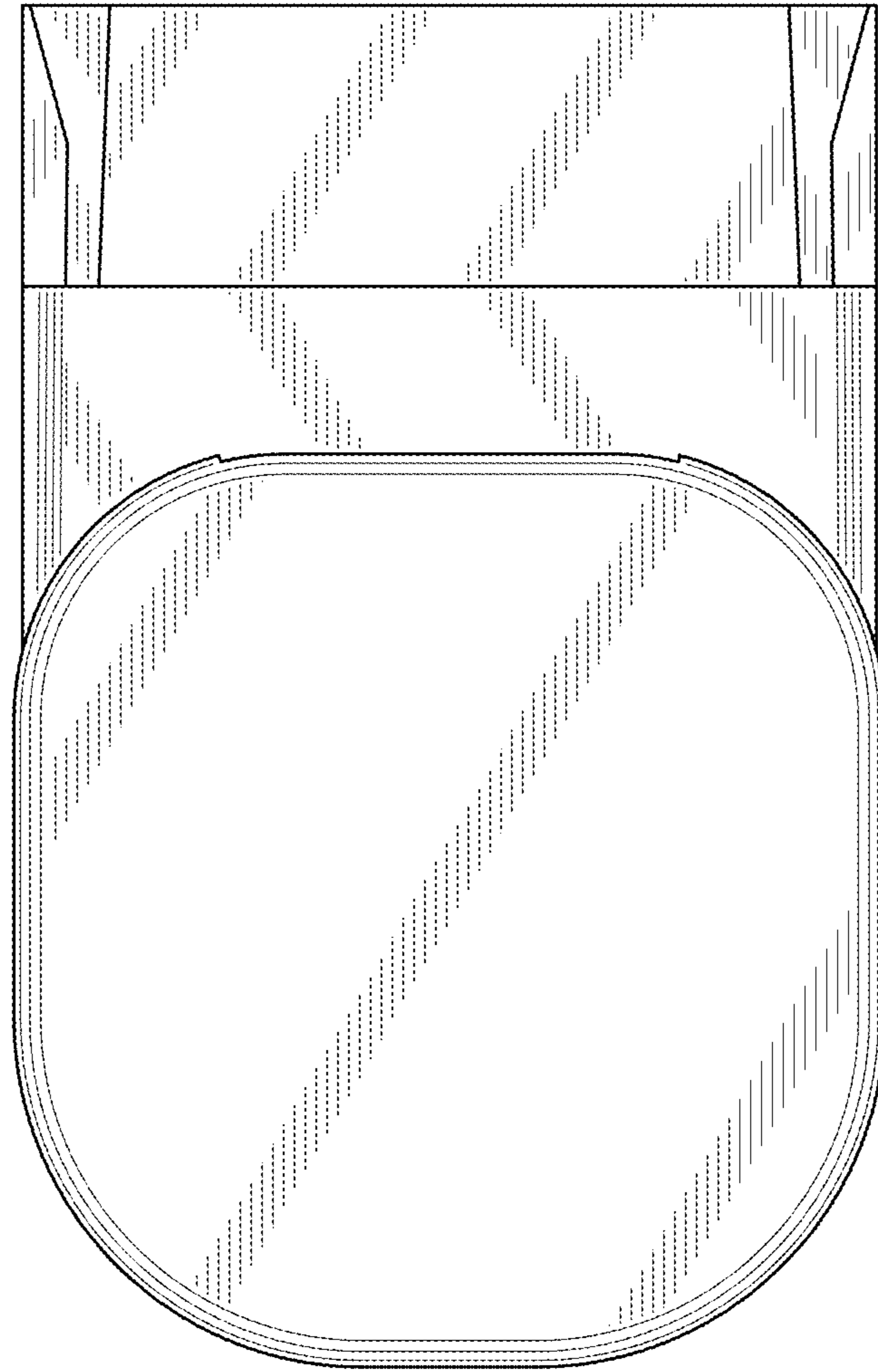


FIG. 5

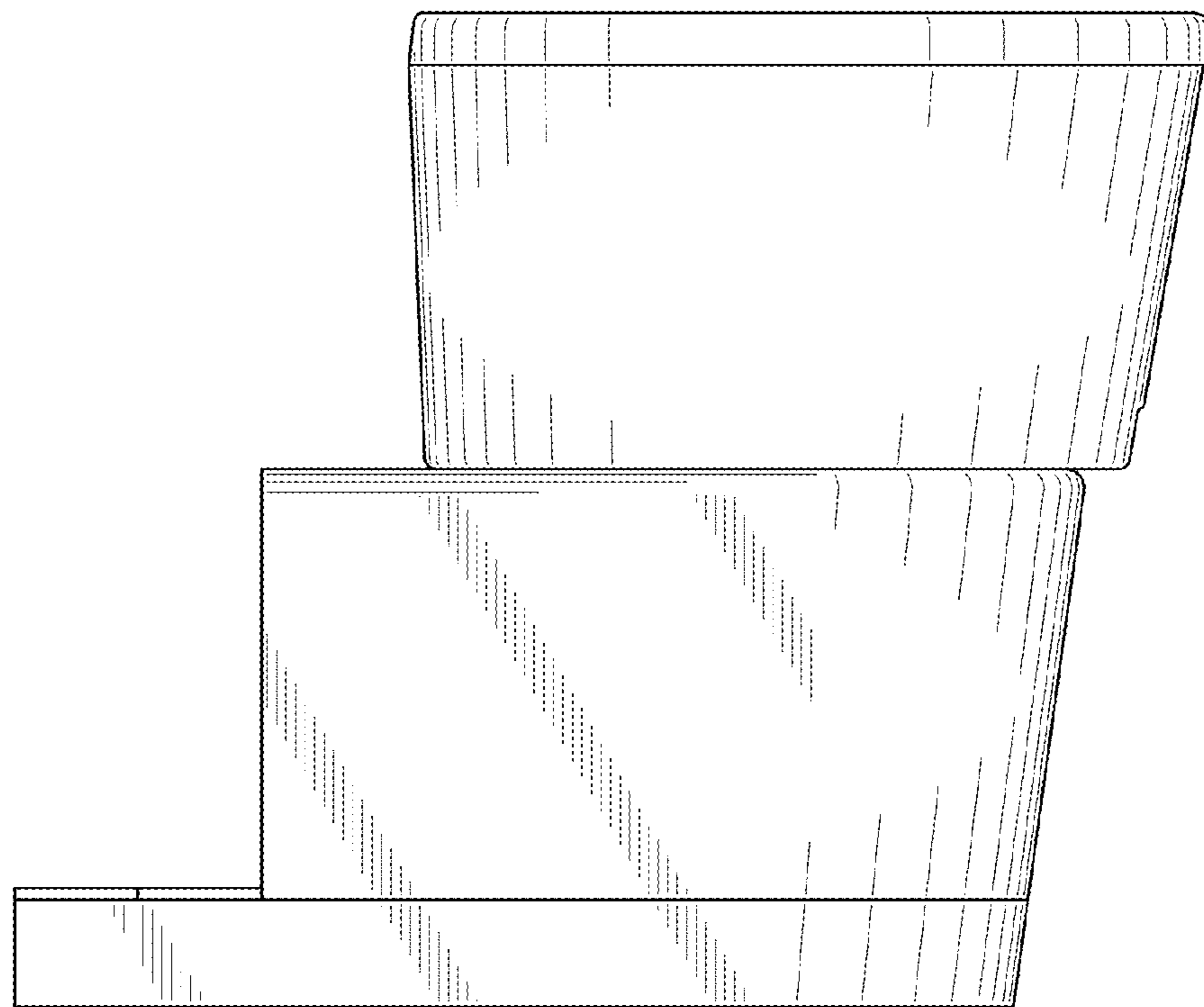


FIG. 6

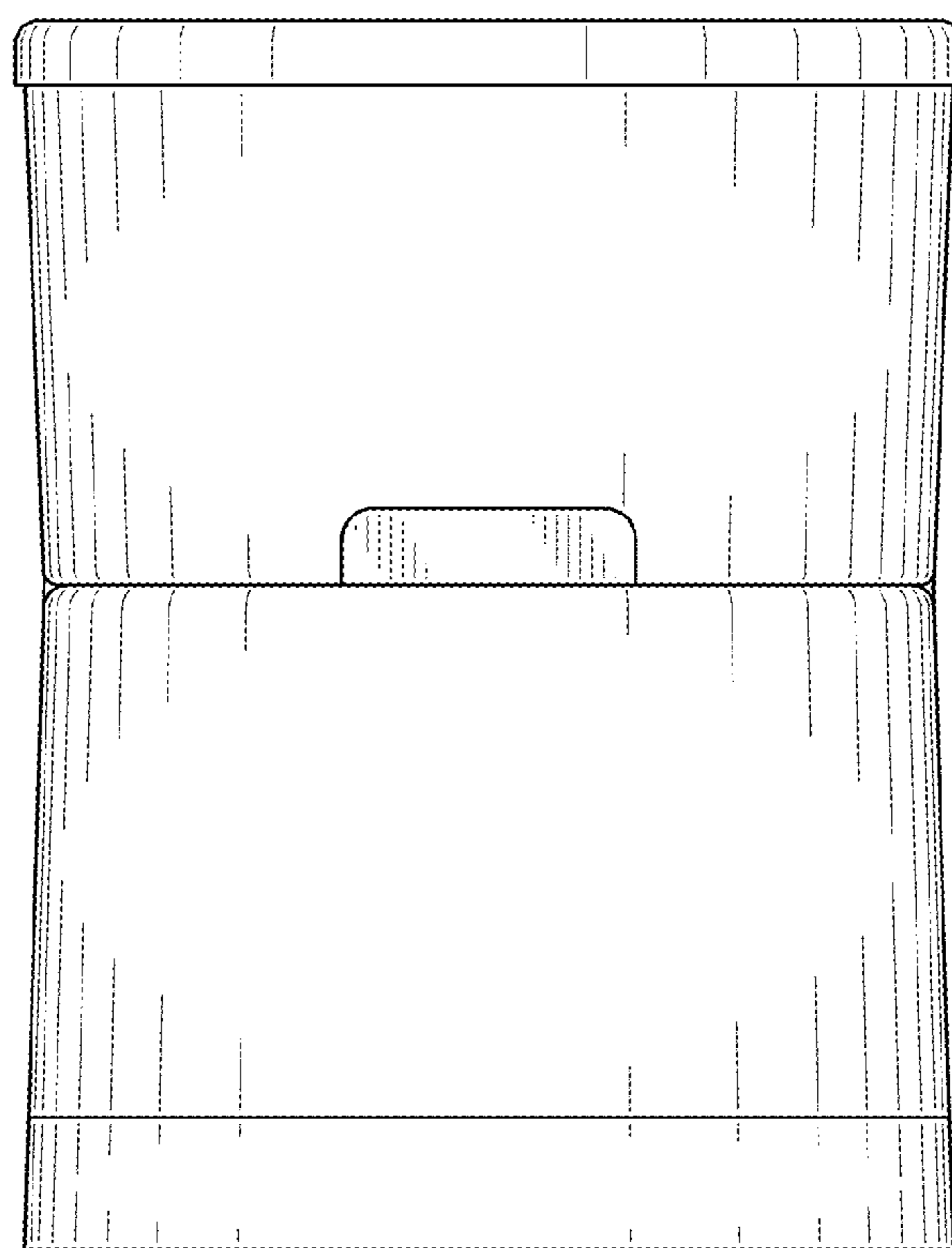


FIG. 7