



US00D708721S

(12) **United States Design Patent**
O'Brien et al.

(10) **Patent No.:** **US D708,721 S**
(45) **Date of Patent:** **** Jul. 8, 2014**

- (54) **SINK**
- (71) Applicant: **Kohler Co.**, Kohler, WI (US)
- (72) Inventors: **Sarah O'Brien**, Plymouth, WI (US);
Terrence K. Mahon, Whitefish, WI (US); **Ryan R. Detlaff**, Sheboygan, WI (US)
- (73) Assignee: **Kohler Co.**, Kohler, WI (US)
- (**) Term: **14 Years**
- (21) Appl. No.: **29/466,656**
- (22) Filed: **Sep. 10, 2013**
- (51) **LOC (10) Cl.** **23-02**
- (52) **U.S. Cl.**
USPC **D23/308**
- (58) **Field of Classification Search**
USPC D23/284, 293.1, 292, 303, 308, 285;
4/619, 637, 638
See application file for complete search history.

D635,231 S *	3/2011	Primmer	D23/308
7,954,183 B2	6/2011	Cawthon		
1,070,424 A1	8/2013	Danver		
2006/0096018 A1	5/2006	Ball		
2010/0251477 A1	10/2010	Bates		
2011/0277694 A1	11/2011	Euse		

* cited by examiner

Primary Examiner — Robert Delehanty

(74) *Attorney, Agent, or Firm* — Foley & Lardner LLP

(57) **CLAIM**

We claim the ornamental design for a sink, as shown and described.

DESCRIPTION

FIG. 1 is a perspective view of a first embodiment of the claimed design;
 FIG. 2 is a top plan view thereof;
 FIG. 3 is a bottom plan view thereof;
 FIG. 4 is a front plan view thereof;
 FIG. 5 is a rear plan view thereof;
 FIG. 6 is a left plan view thereof;
 FIG. 7 is a right plan view thereof;
 FIG. 8 is a cross-sectional view thereof, taken along line 8-8 in FIG. 2; and,
 FIG. 9 is another cross-sectional view thereof, taken along line 9-9 in FIG. 2.

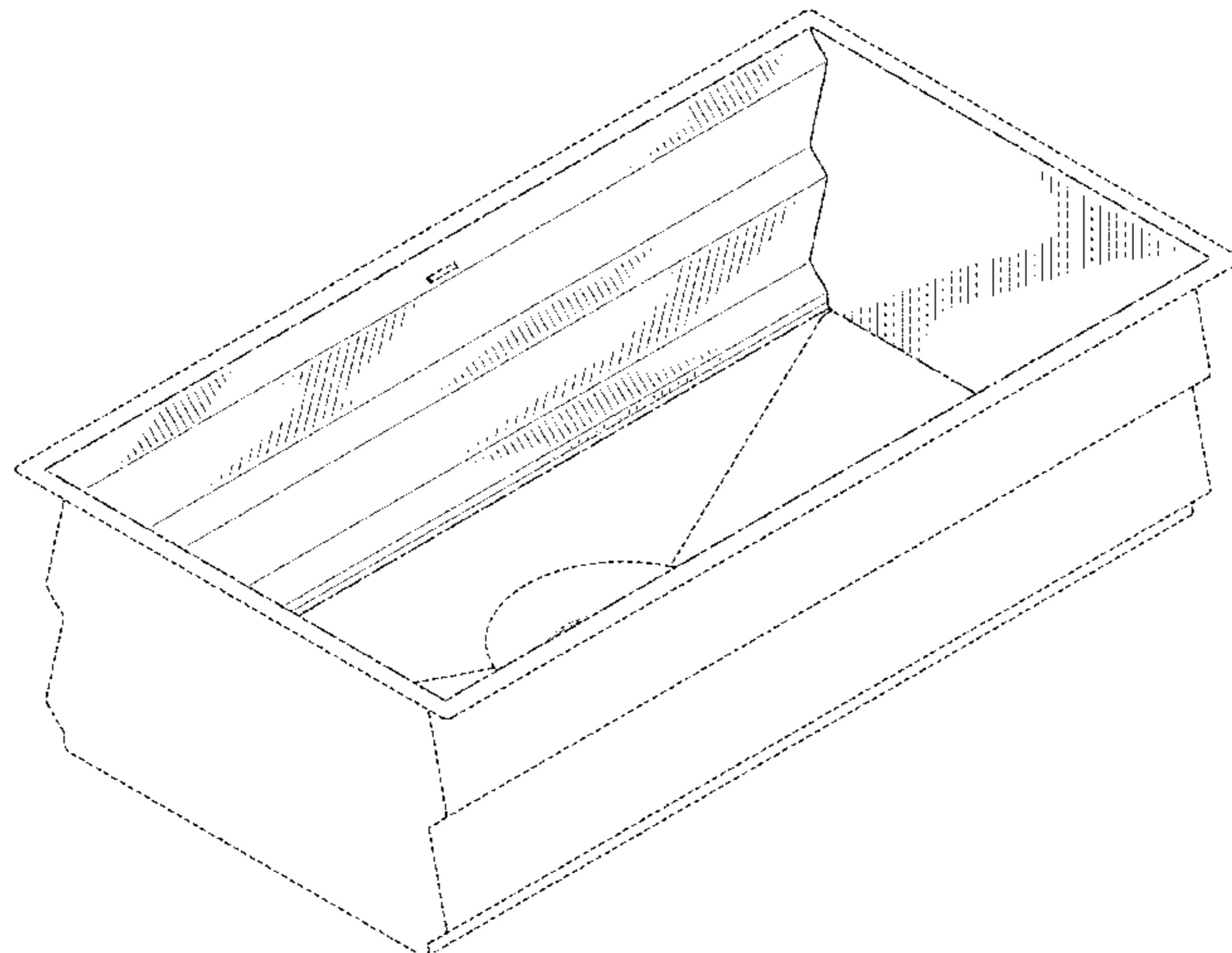
The ornamental design which is claimed is shown in solid lines in the drawings. The broken lines in the drawings are for purposes of illustrating unclaimed portions of the design. Broken lines formed by equal length dashes show unclaimed portions of the design. Broken lines formed of unequal length dashes (i.e., dash-dot) show boundaries between claimed and unclaimed portions of the design. Symbolic break lines having a jagged element show that no particular length of the portion is claimed, such lines and any portion of the article between such lines forming no part of the claimed design.

1 Claim, 8 Drawing Sheets

(56) **References Cited**

U.S. PATENT DOCUMENTS

2,676,477 A	4/1954	Smith	
3,196,864 A	7/1965	Johnson	
4,242,763 A	1/1981	Walker	
4,336,620 A	6/1982	Gresh	
4,655,169 A	4/1987	Arvo	
5,179,740 A	1/1993	Marsilio et al.	
D389,901 S	1/1998	Kohler, Jr. et al.	
5,715,547 A	2/1998	Becker et al.	
D442,679 S	5/2001	Roberts	
6,554,944 B1	4/2003	Peters et al.	
D537,149 S *	2/2007	Douglass et al. D23/284
D561,879 S *	2/2008	Gilbert et al. D23/293.1
D588,246 S *	3/2009	Eilmus et al. D23/293.1
D603,025 S	10/2009	Mahon	
D624,164 S *	9/2010	Kakahana et al. D23/293.1



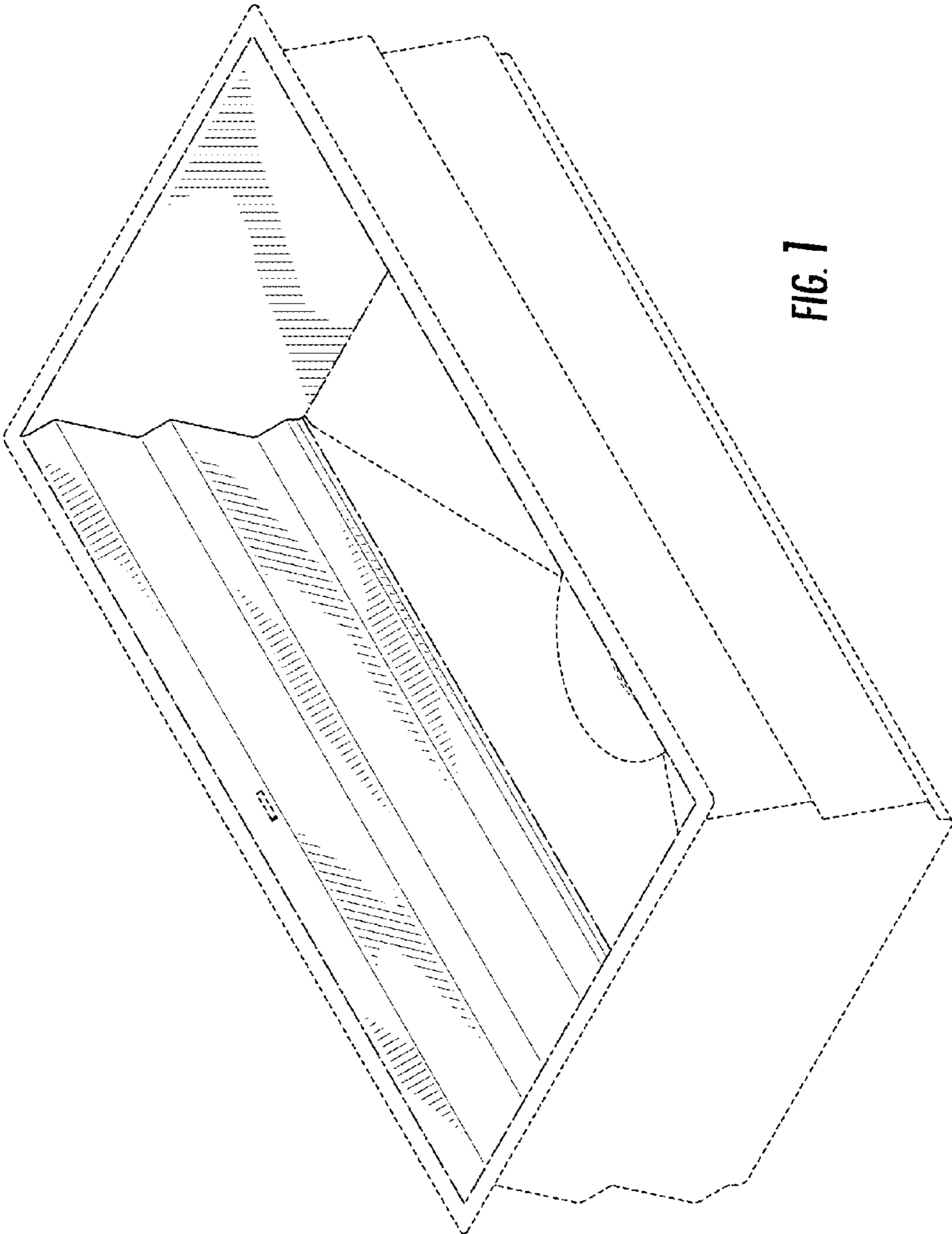


FIG. 1

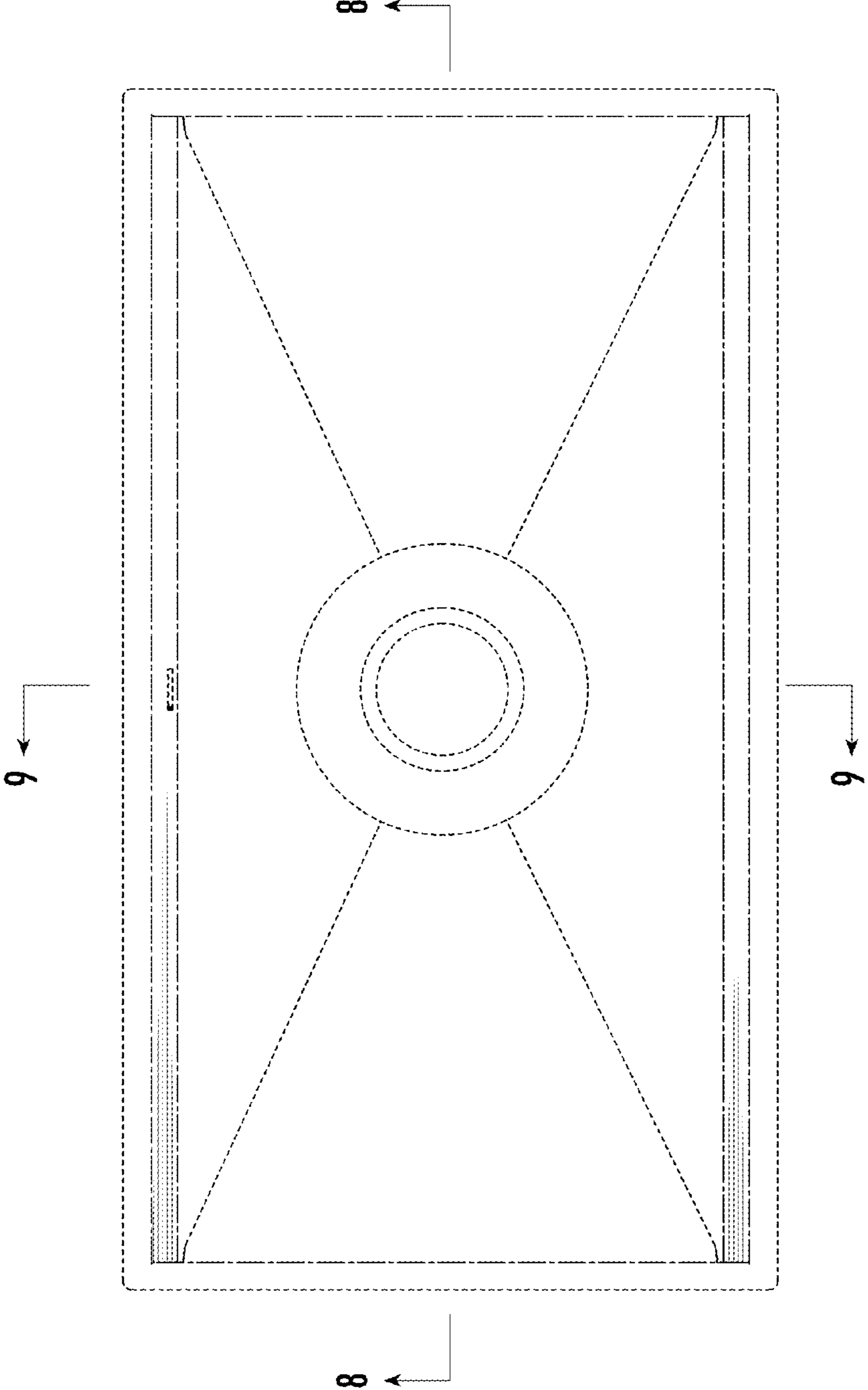


FIG. 2

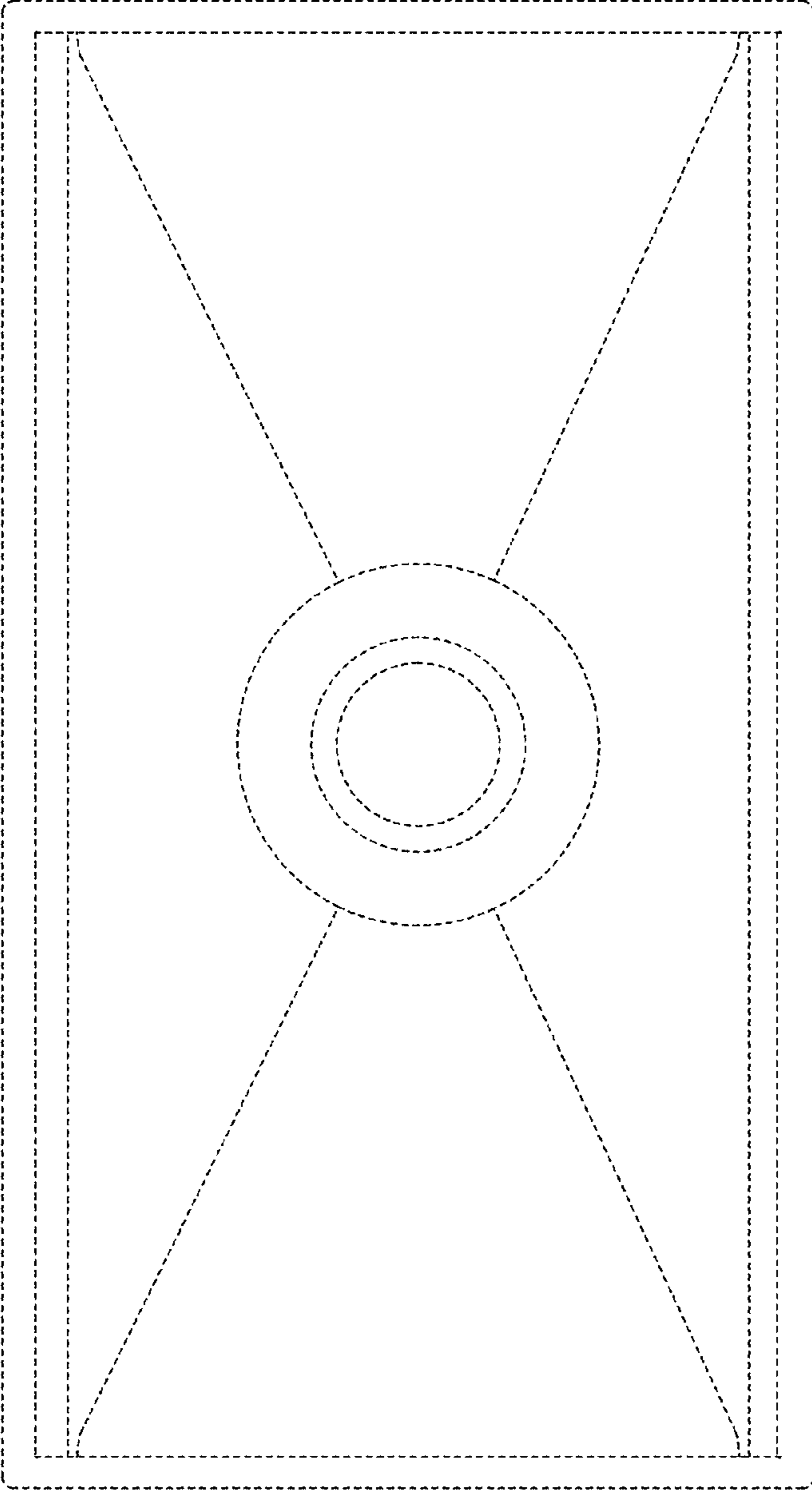


FIG. 3

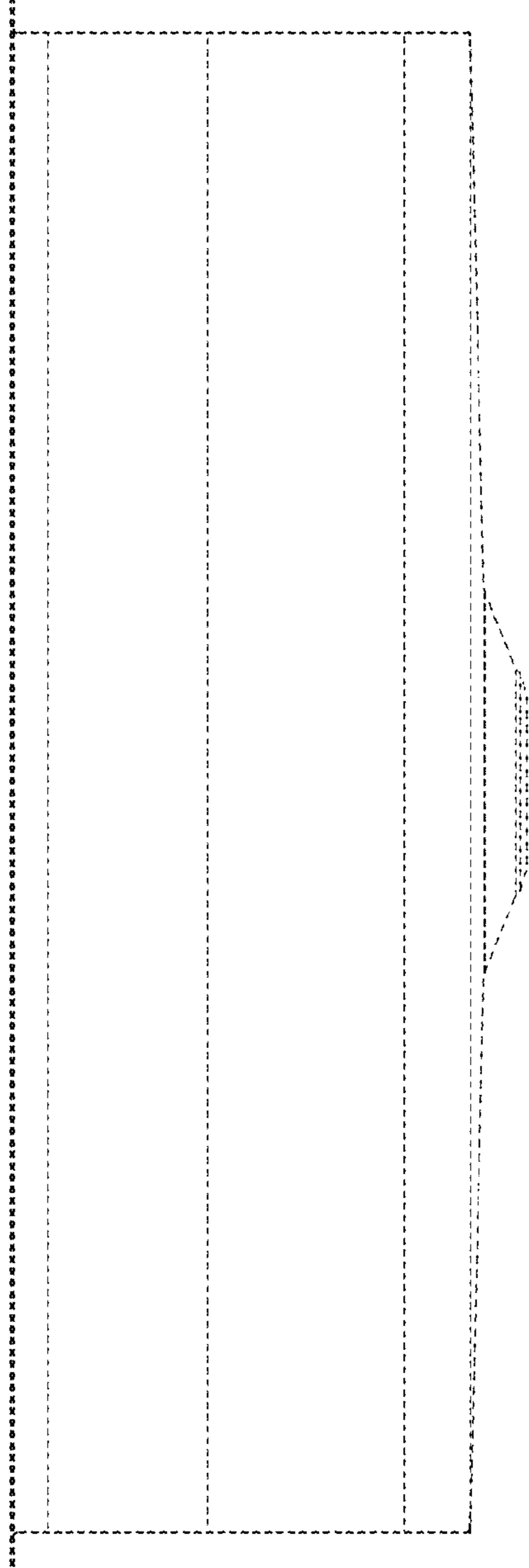


FIG. 4

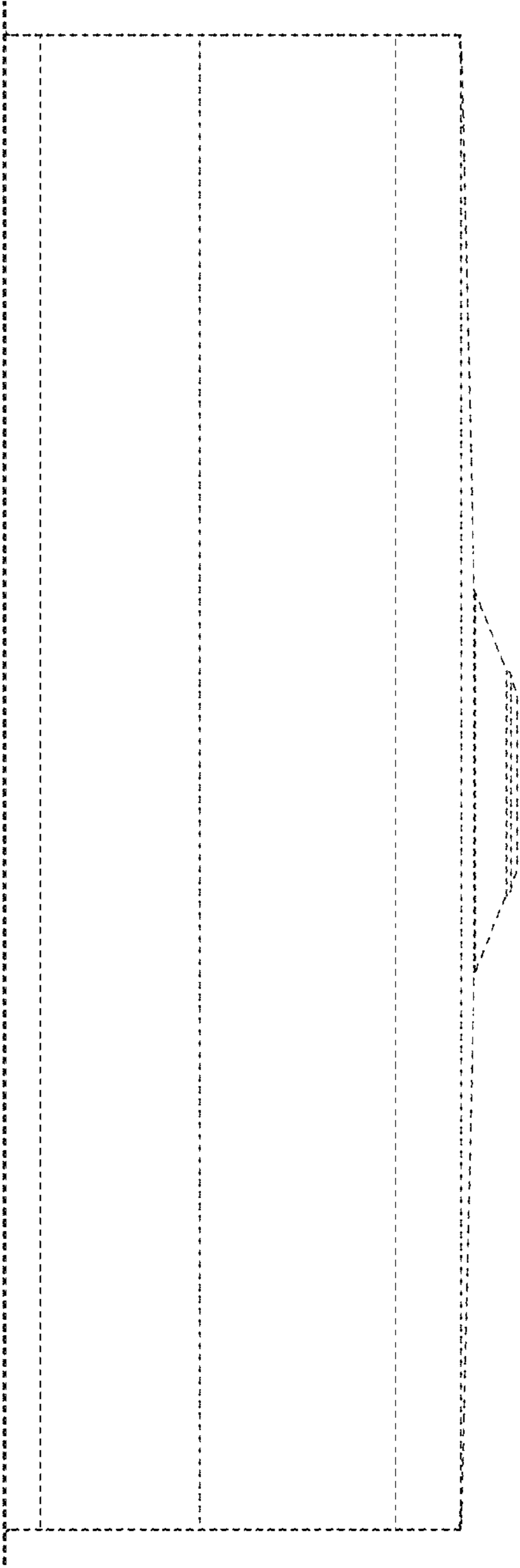


FIG. 5

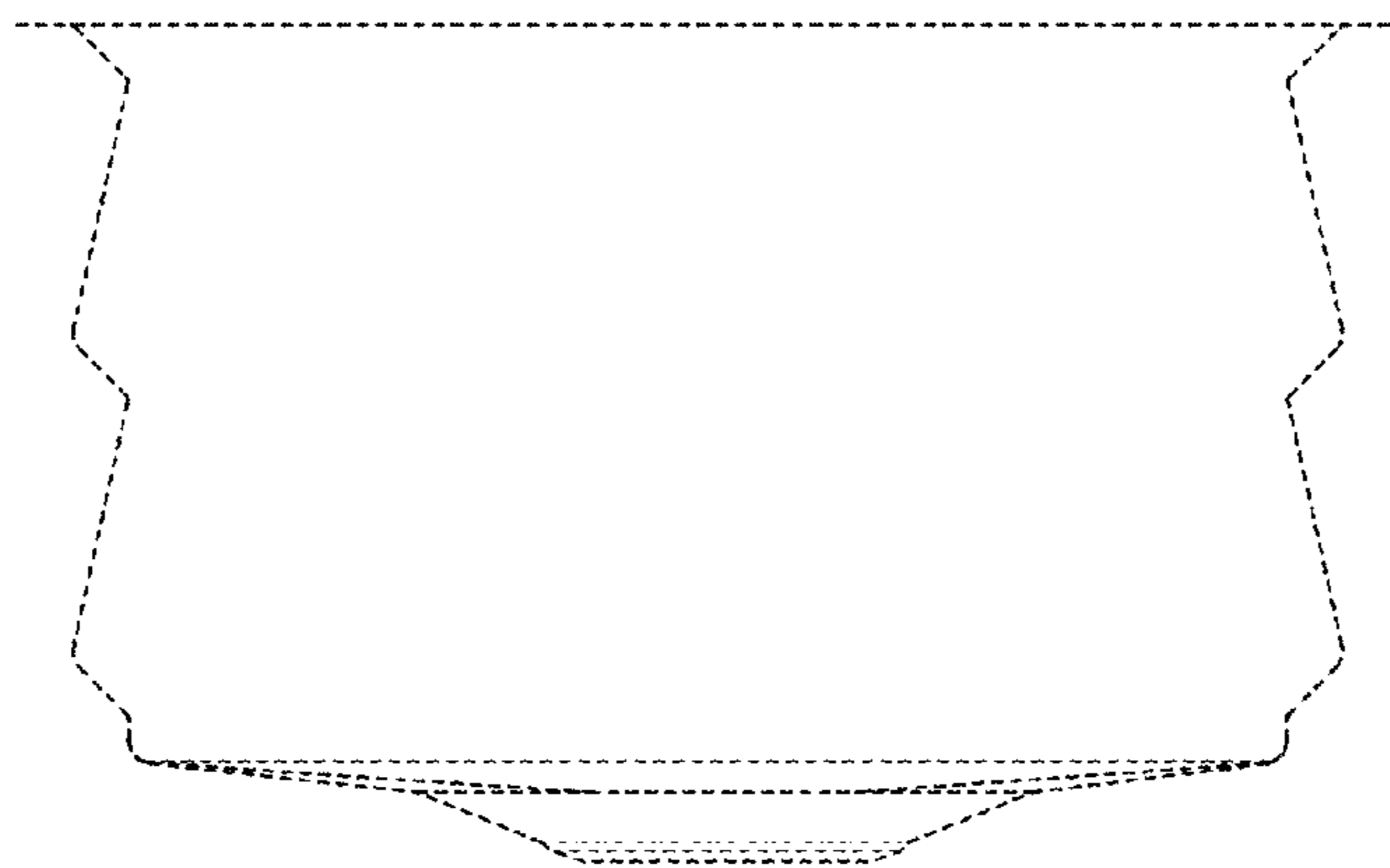


FIG. 6

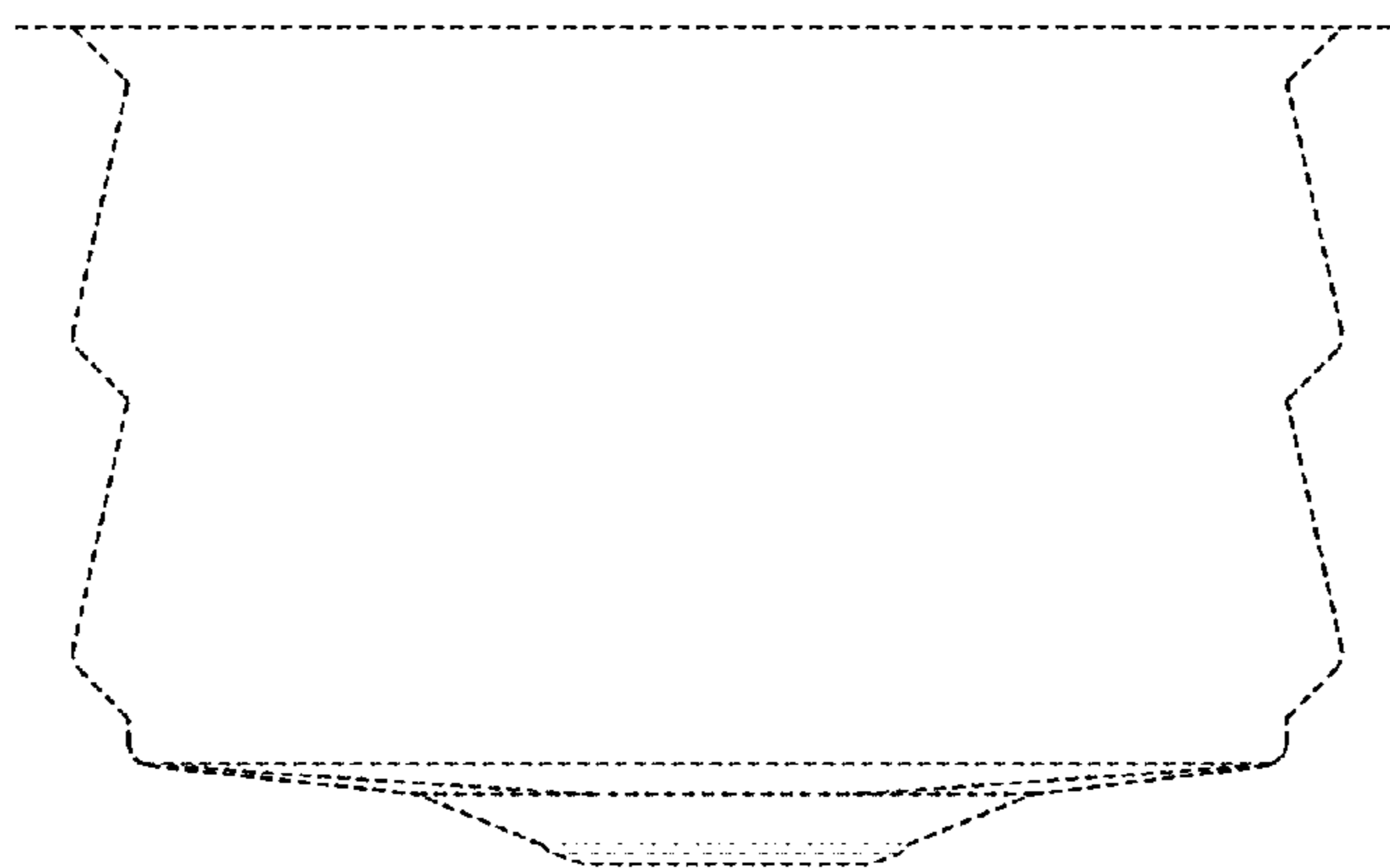


FIG. 7

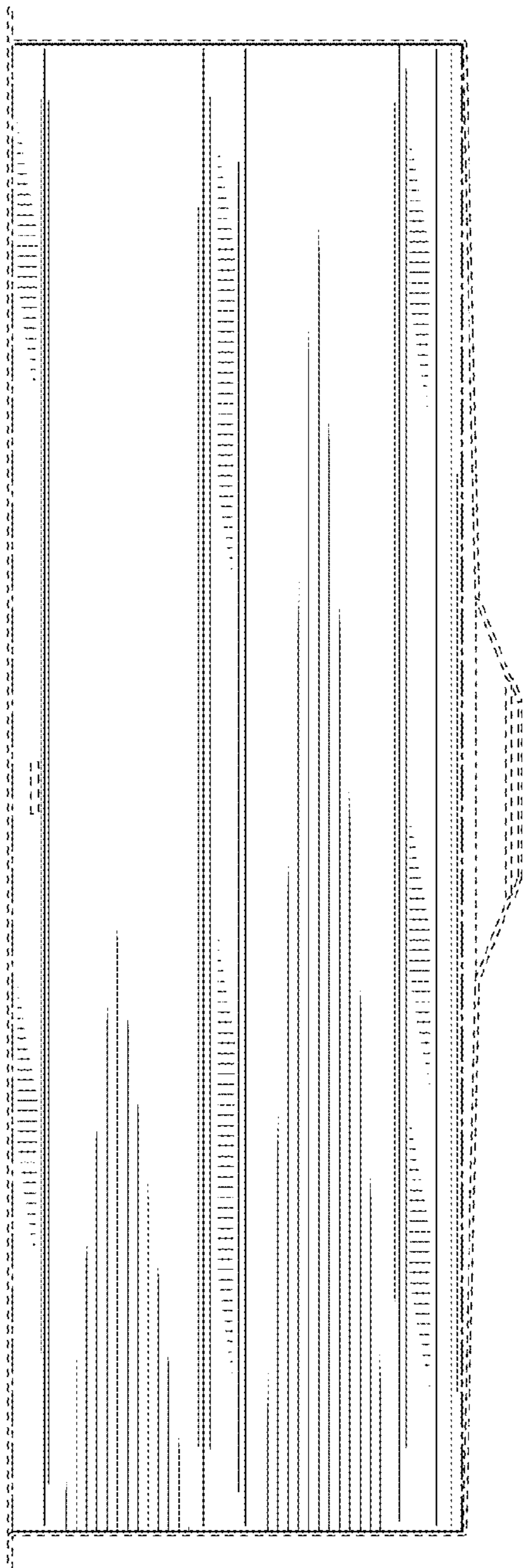


FIG. 8

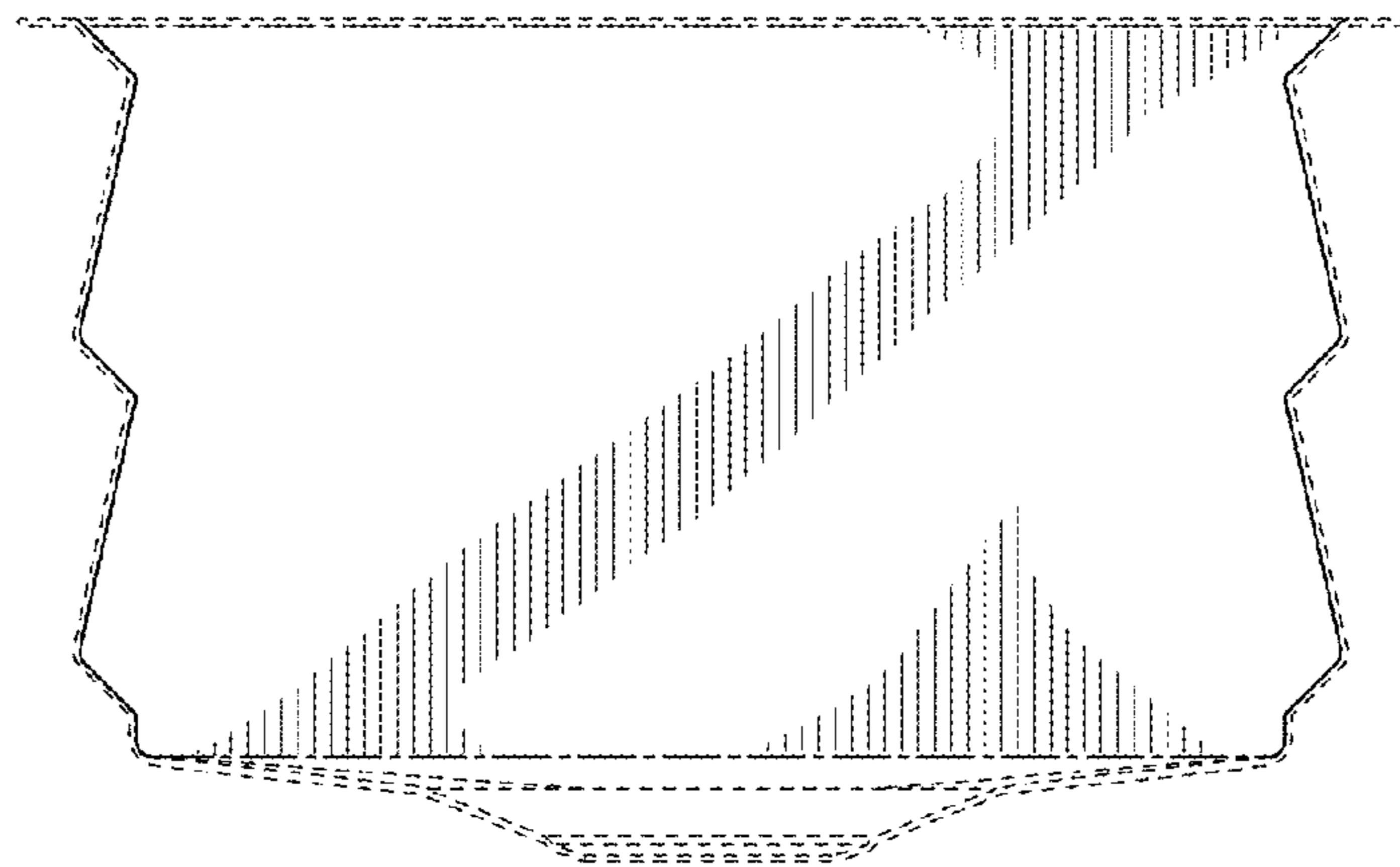


FIG. 9