



US00D708720S

(12) **United States Design Patent**
Jochim et al.

(10) **Patent No.:** **US D708,720 S**
(45) **Date of Patent:** **** Jul. 8, 2014**

- (54) **TOILET**
- (71) Applicant: **Dometic GmbH**, Siegen (DE)
- (72) Inventors: **Tim Jochim**, Wilnsdorf (DE); **Andrew Moseley**, Herborn (DE); **Jens Oxenfarth**, Ennepetal (DE)
- (73) Assignee: **Dometic GmbH**, Siegen (DE)
- (**) Term: **14 Years**
- (21) Appl. No.: **29/484,438**
- (22) Filed: **Mar. 10, 2014**

- D271,707 S 12/1983 DeGraw et al.
- D271,708 S 12/1983 DeGraw et al.
- 4,603,443 A 8/1986 Stewart
- D385,021 S 10/1997 White
- D473,636 S 4/2003 Barry
- D487,138 S 2/2004 Billsund et al.
- D508,116 S 8/2005 Tani et al.
- 7,325,257 B2 2/2008 Kolar et al.
- D587,791 S 3/2009 Jaeckel et al.
- D646,366 S 10/2011 Palomba et al.
- D678,486 S 3/2013 Bickerstaffe et al.

Primary Examiner — Robert Delehanty
(74) *Attorney, Agent, or Firm* — Pearne & Gordon LLP

Related U.S. Application Data

- (62) Division of application No. 29/446,036, filed on Feb. 20, 2013.

(30) **Foreign Application Priority Data**

Aug. 23, 2012 (EM) 002091496

- (51) **LOC (10) Cl.** **23-02**

- (52) **U.S. Cl.**
USPC **D23/301**

- (58) **Field of Classification Search**
USPC D23/295–296, 299, 301, 303, 309, 313;
4/300, 315, 353, 42, 460, 234, 242.1,
4/237, 239

See application file for complete search history.

(56) **References Cited**

U.S. PATENT DOCUMENTS

- D101,441 S 10/1936 Dreyfuss
- D116,810 S 9/1939 Uphues
- D222,060 S 9/1971 Quintana
- D231,458 S 4/1974 Fulton et al.
- 3,885,254 A 5/1975 West
- D242,620 S 12/1976 Frankel et al.
- D255,597 S 6/1980 Sargent et al.
- D257,071 S 9/1980 Yonezawa
- D261,799 S 11/1981 Alger

(57) **CLAIM**

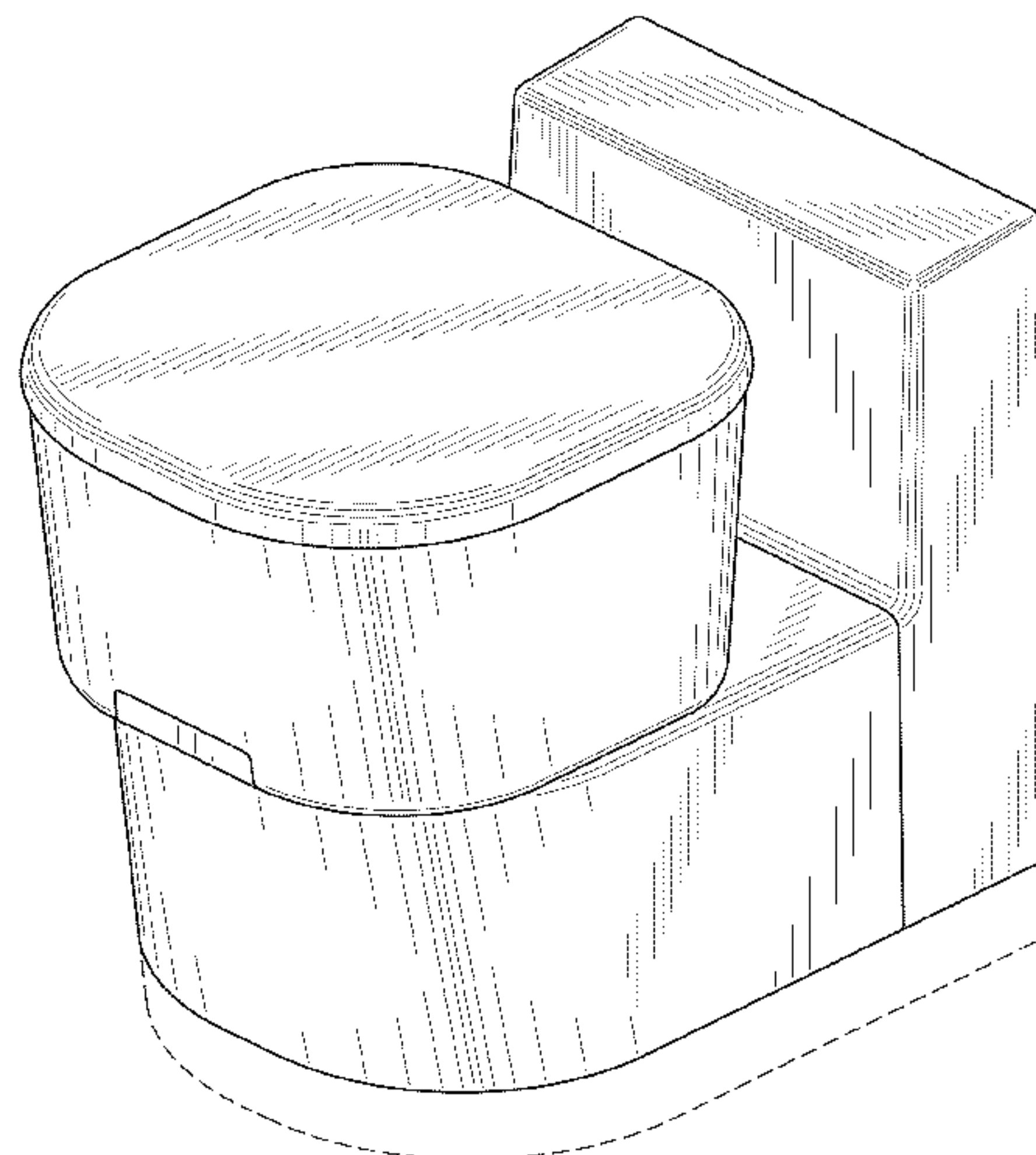
The ornamental design for a toilet, as shown and described.

DESCRIPTION

FIG. 1 is an isometric view of a first toilet showing our new design;
 FIG. 2 is another isometric view thereof with a portion rotated;
 FIG. 3 is another isometric view thereof with a portion rotated;
 FIG. 4 is a right side view thereof;
 FIG. 5 is a top view thereof;
 FIG. 6 is a left side view thereof;
 FIG. 7 is a front view thereof;
 FIG. 8 is an isometric view of a second toilet showing our new design;
 FIG. 9 is another isometric view thereof with a portion rotated;
 FIG. 10 is another isometric view thereof with a portion rotated;
 FIG. 11 is a right side view thereof;
 FIG. 12 is a top view thereof;
 FIG. 13 is a left side view thereof; and,
 FIG. 14 is a front view thereof.

The broken lines shown on the drawing disclosure are for illustrative purposes only and form no part of the claimed design.

1 Claim, 14 Drawing Sheets



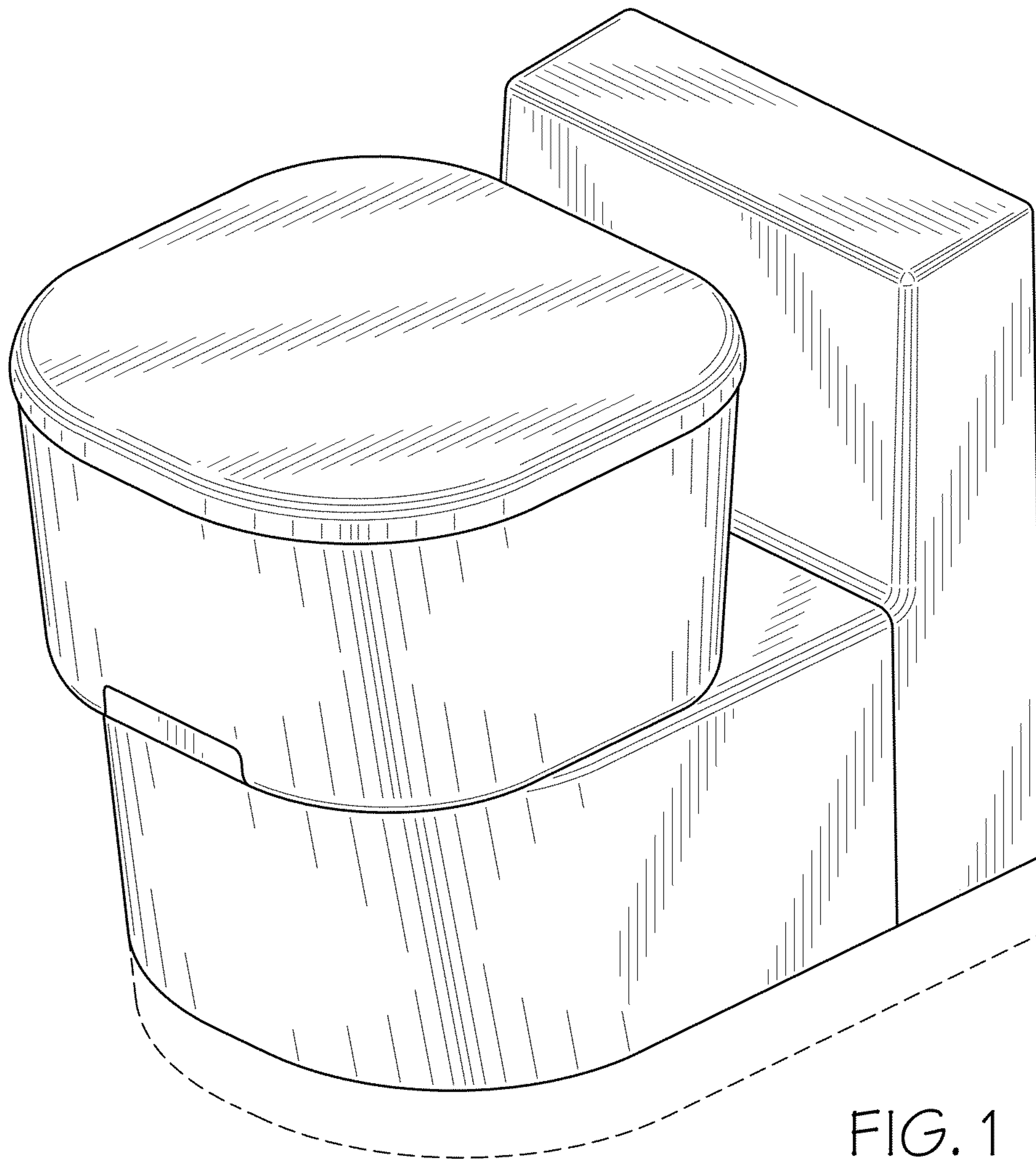


FIG. 1

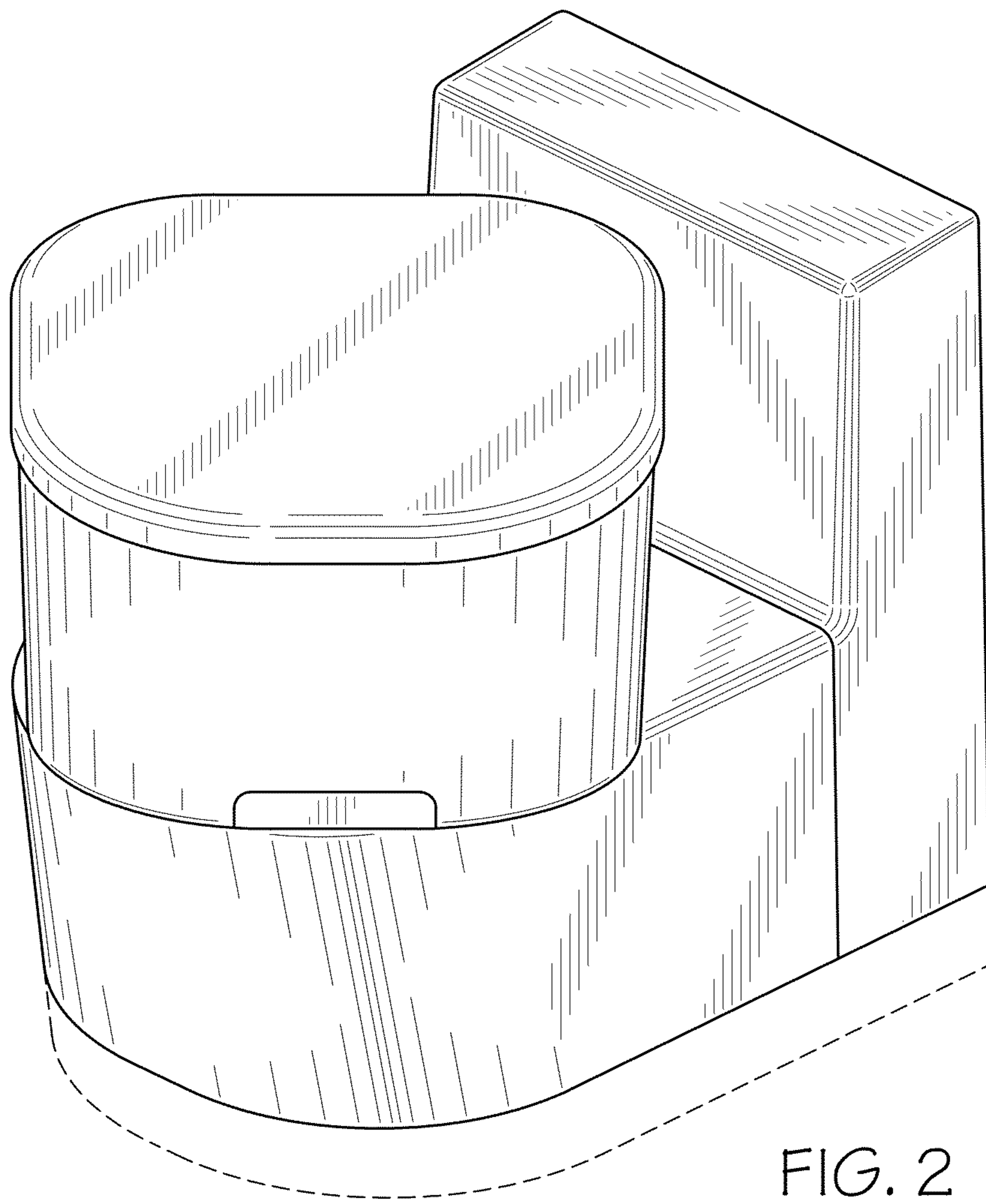


FIG. 2

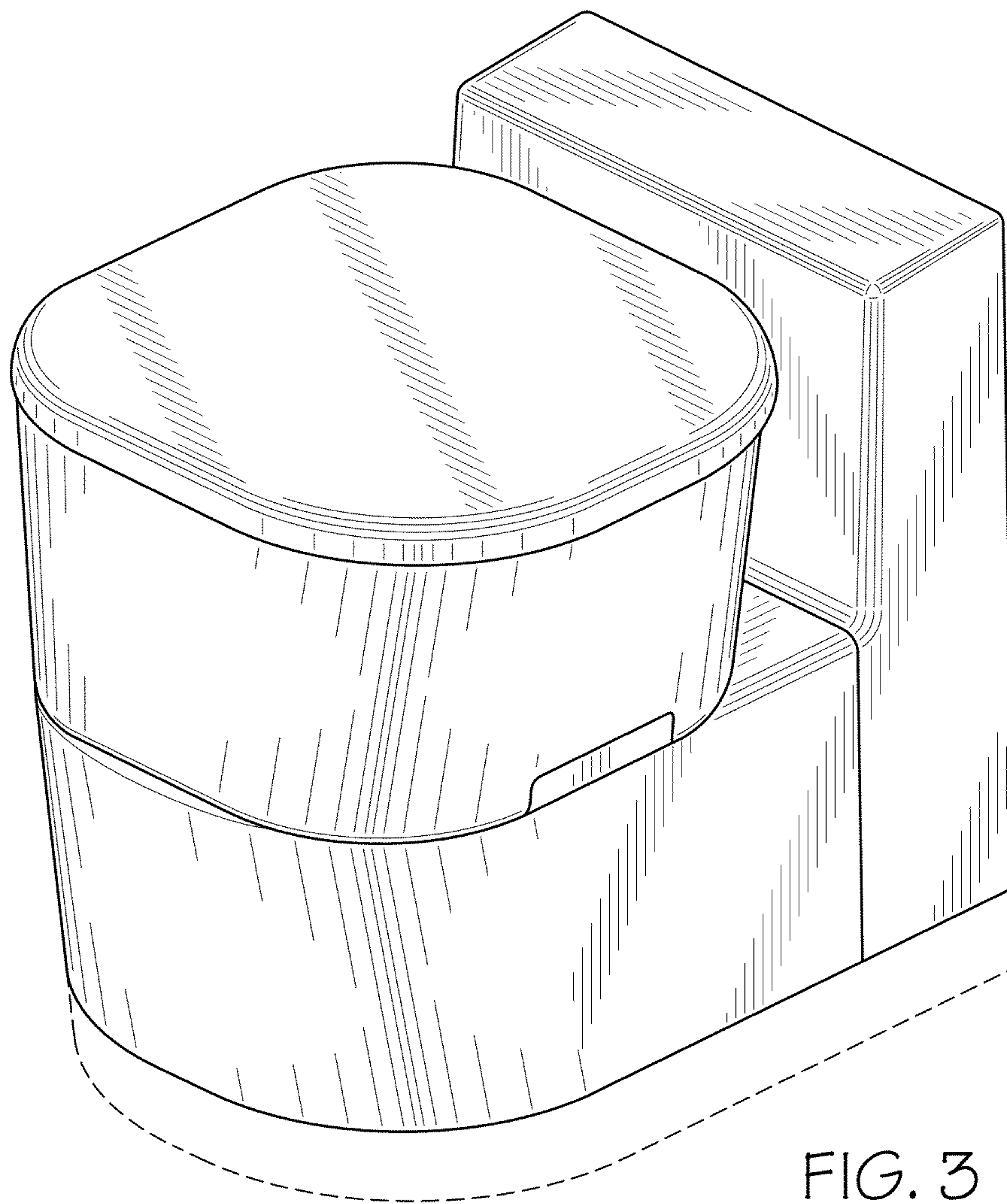


FIG. 3

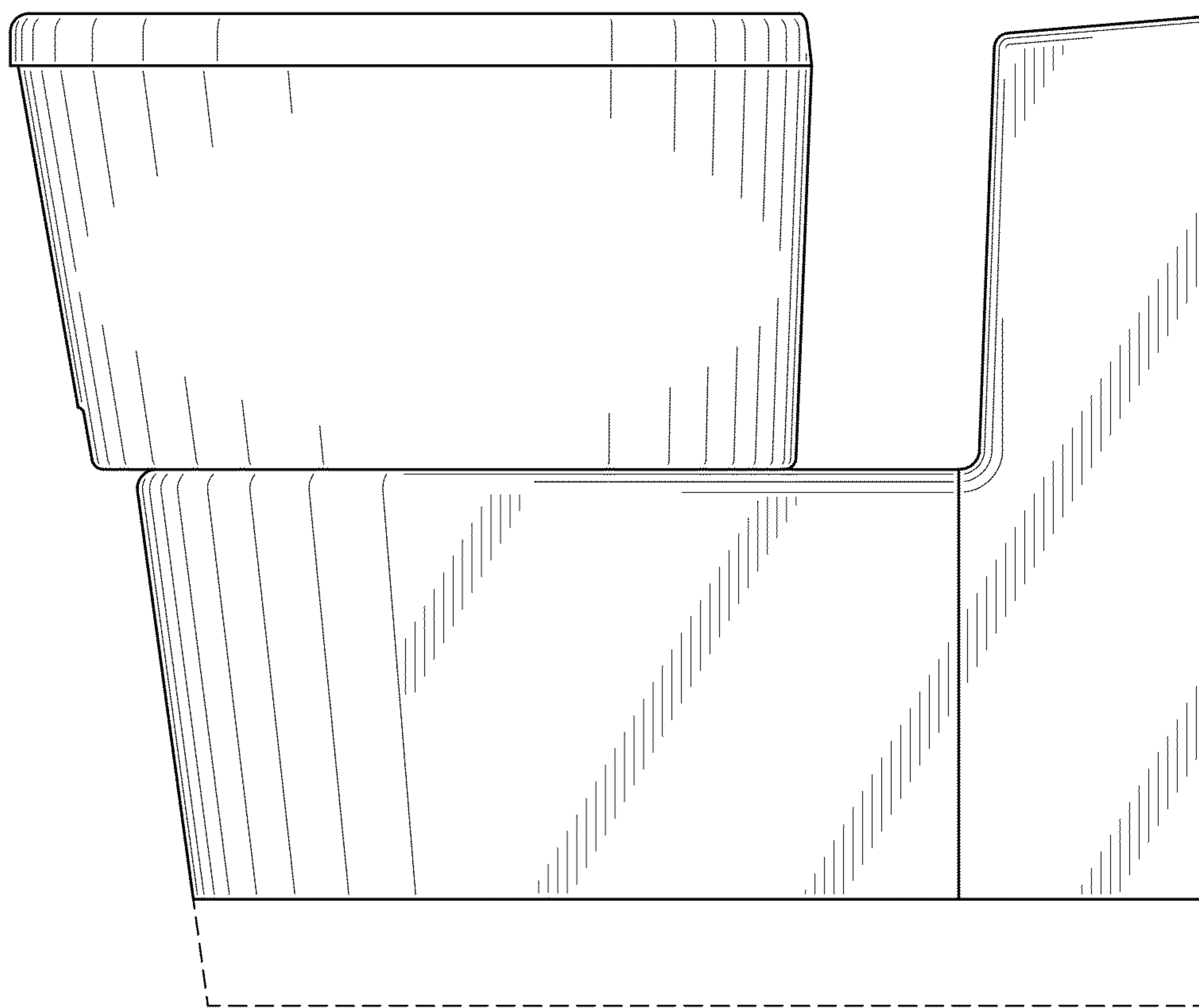


FIG. 4

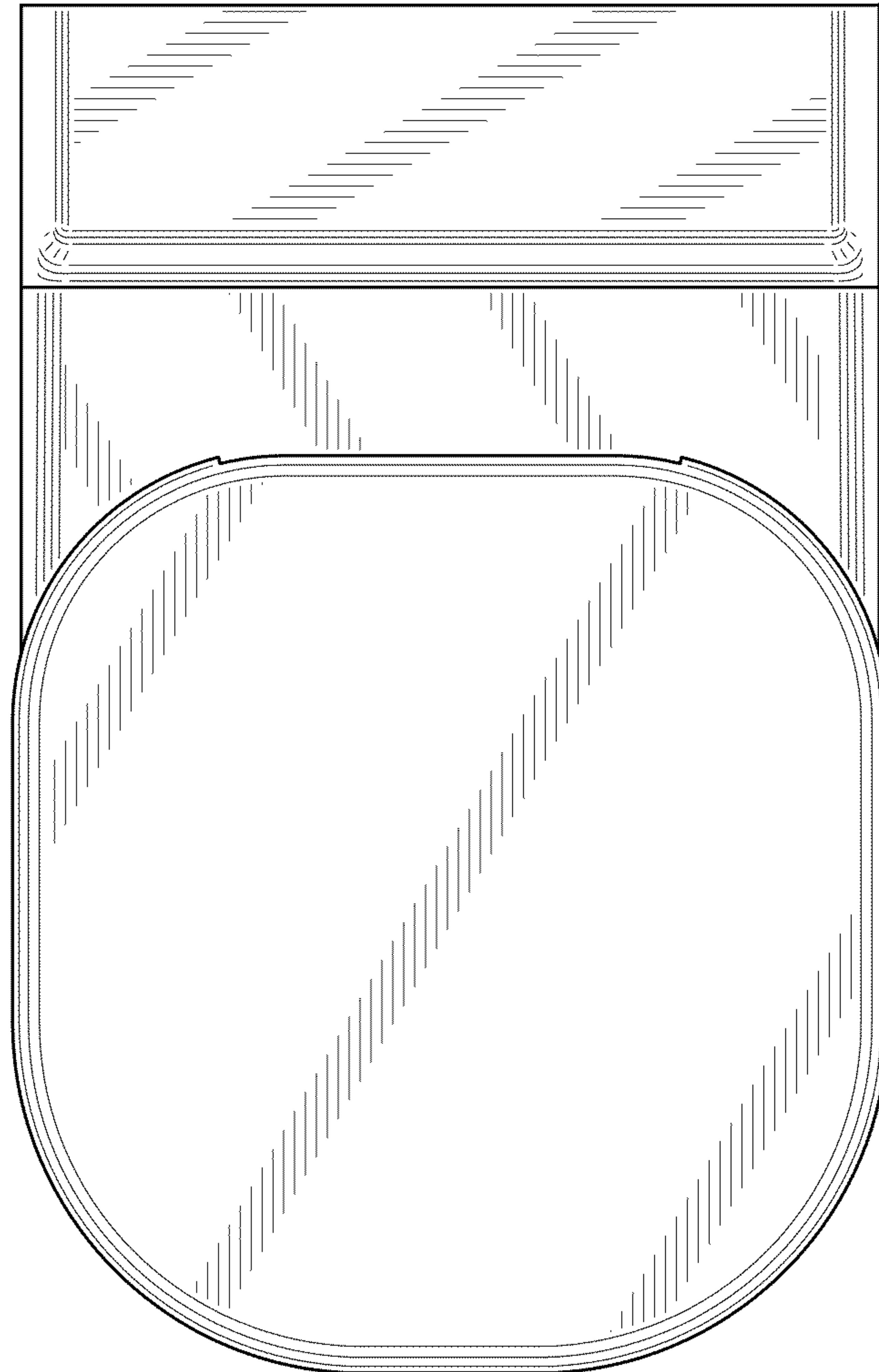


FIG. 5

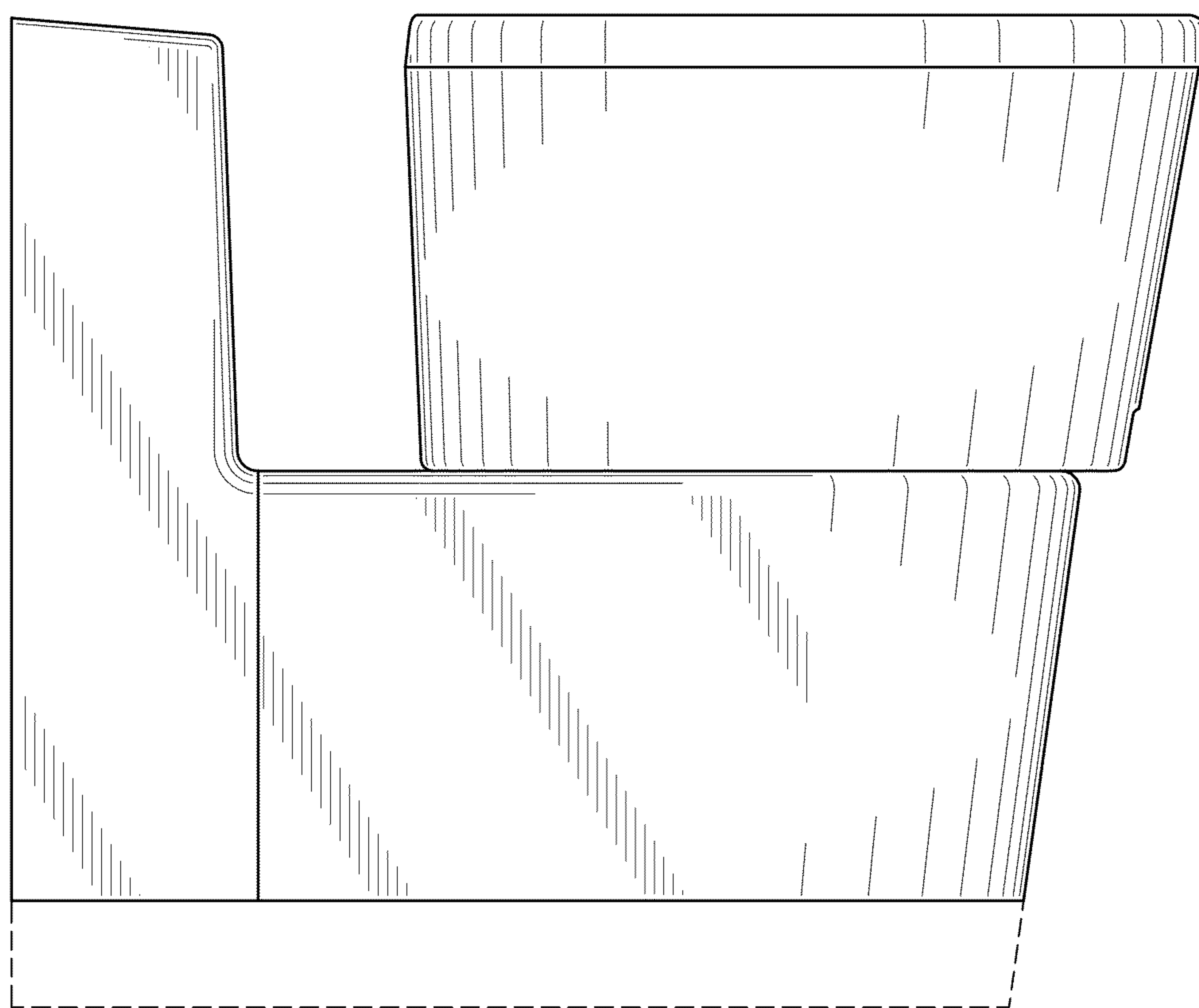


FIG. 6

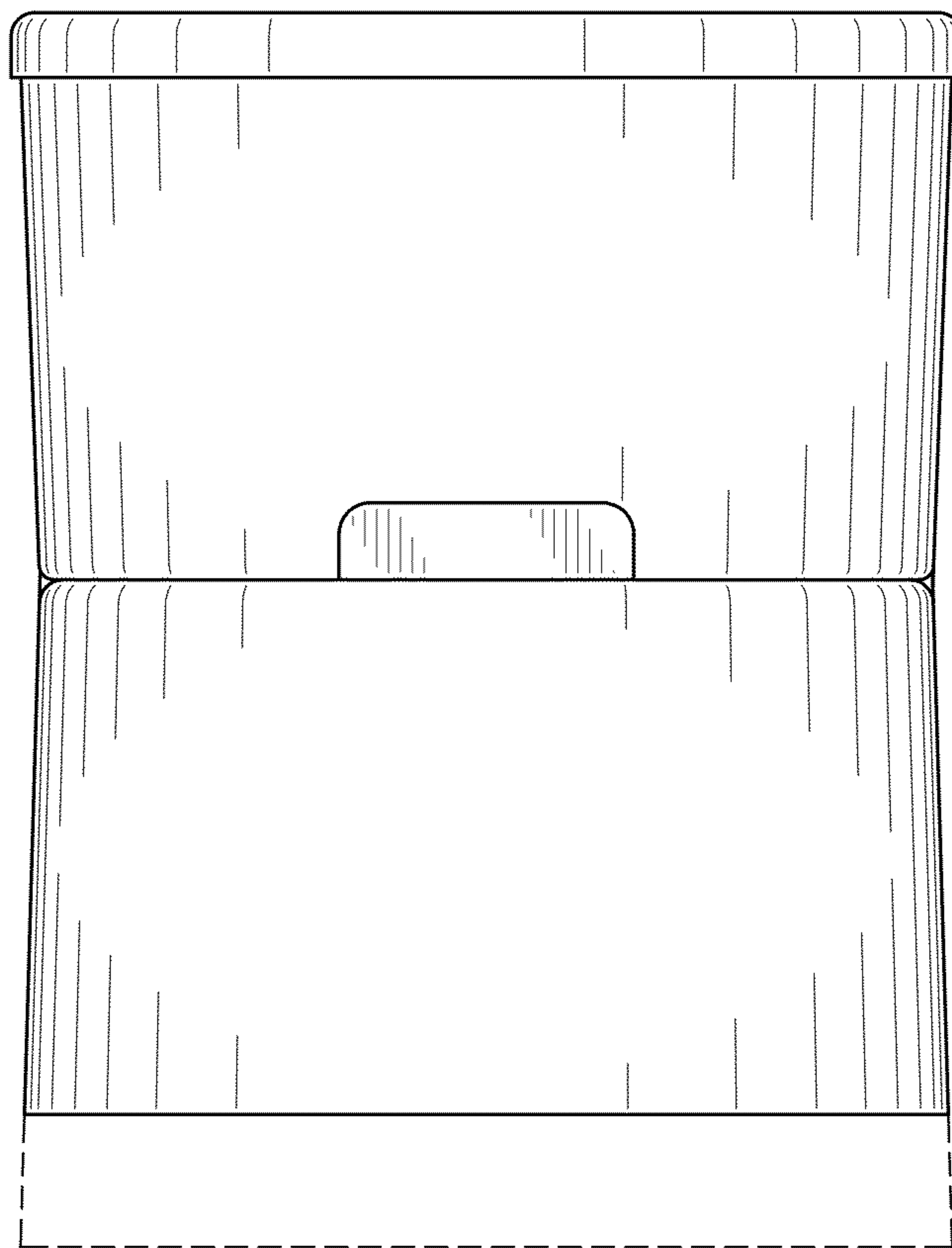


FIG. 7

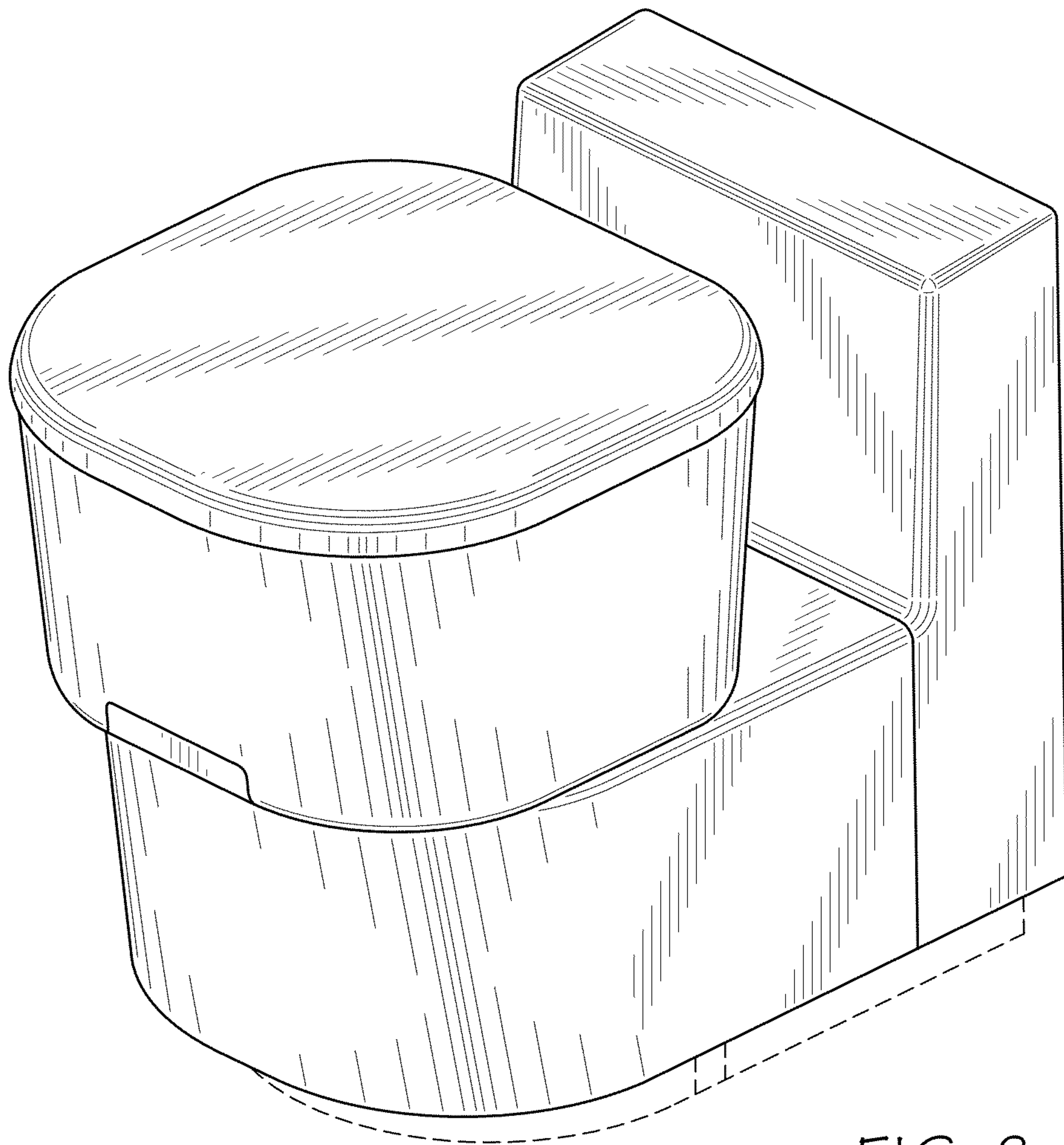


FIG. 8

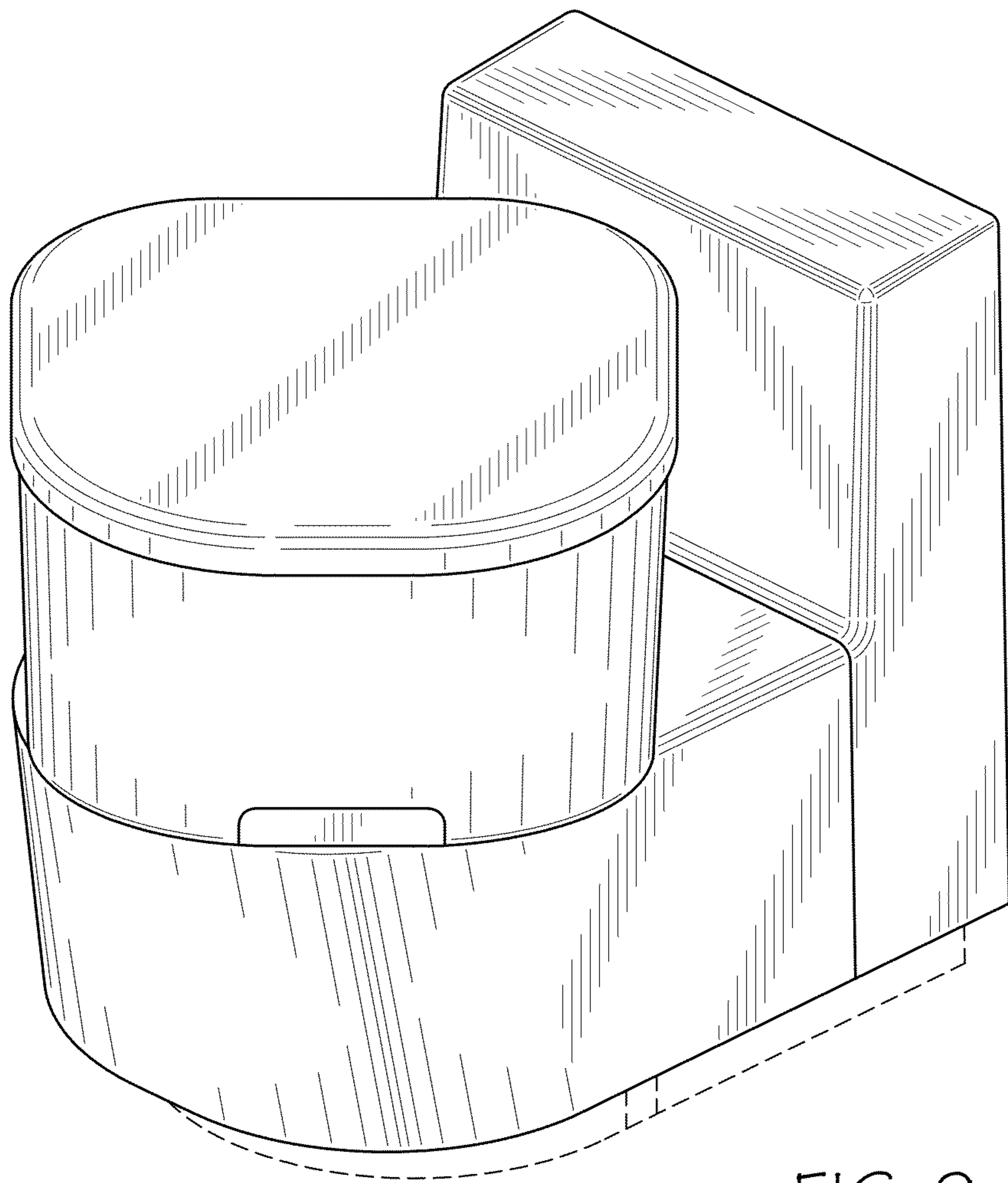


FIG. 9

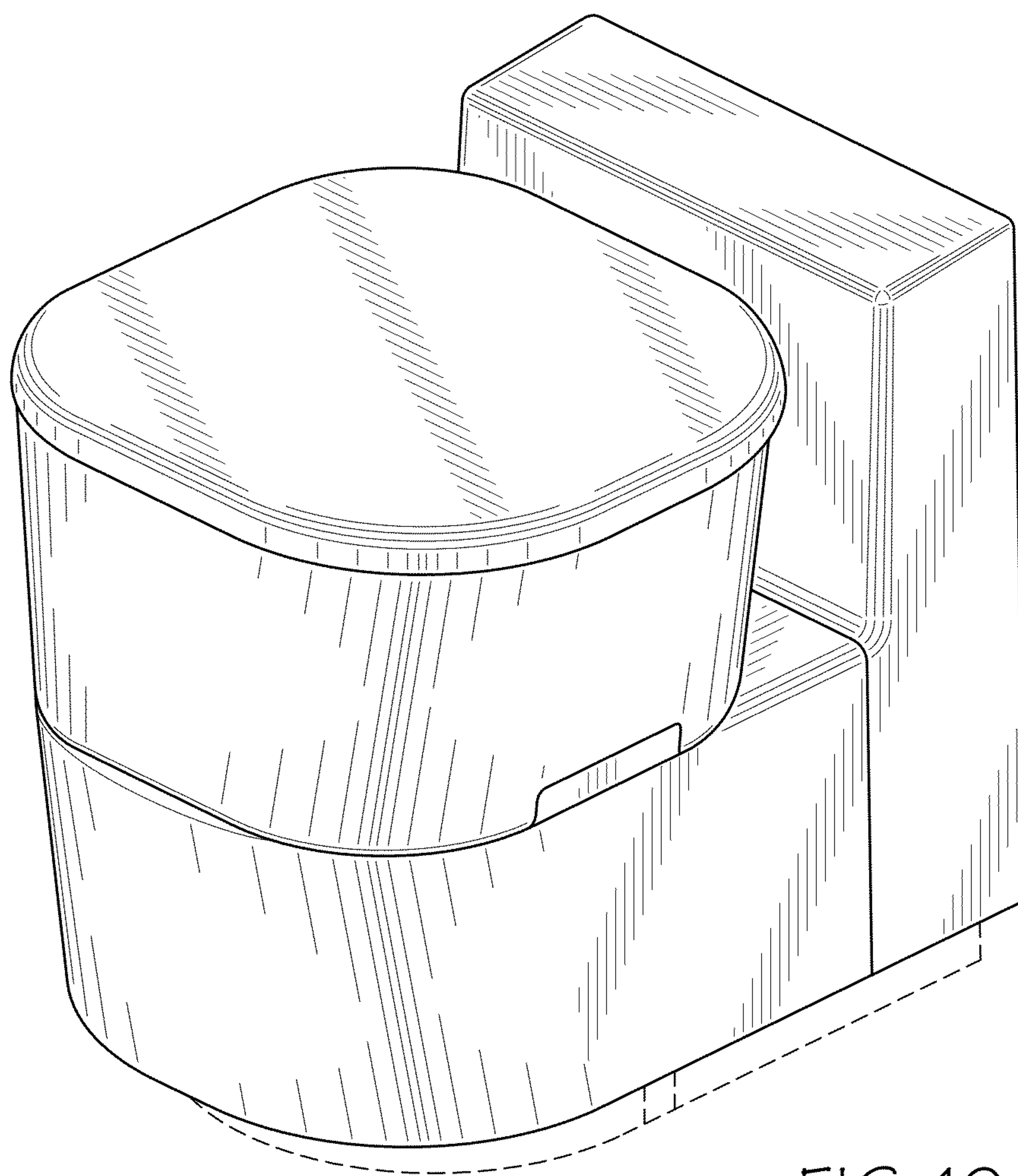


FIG. 10

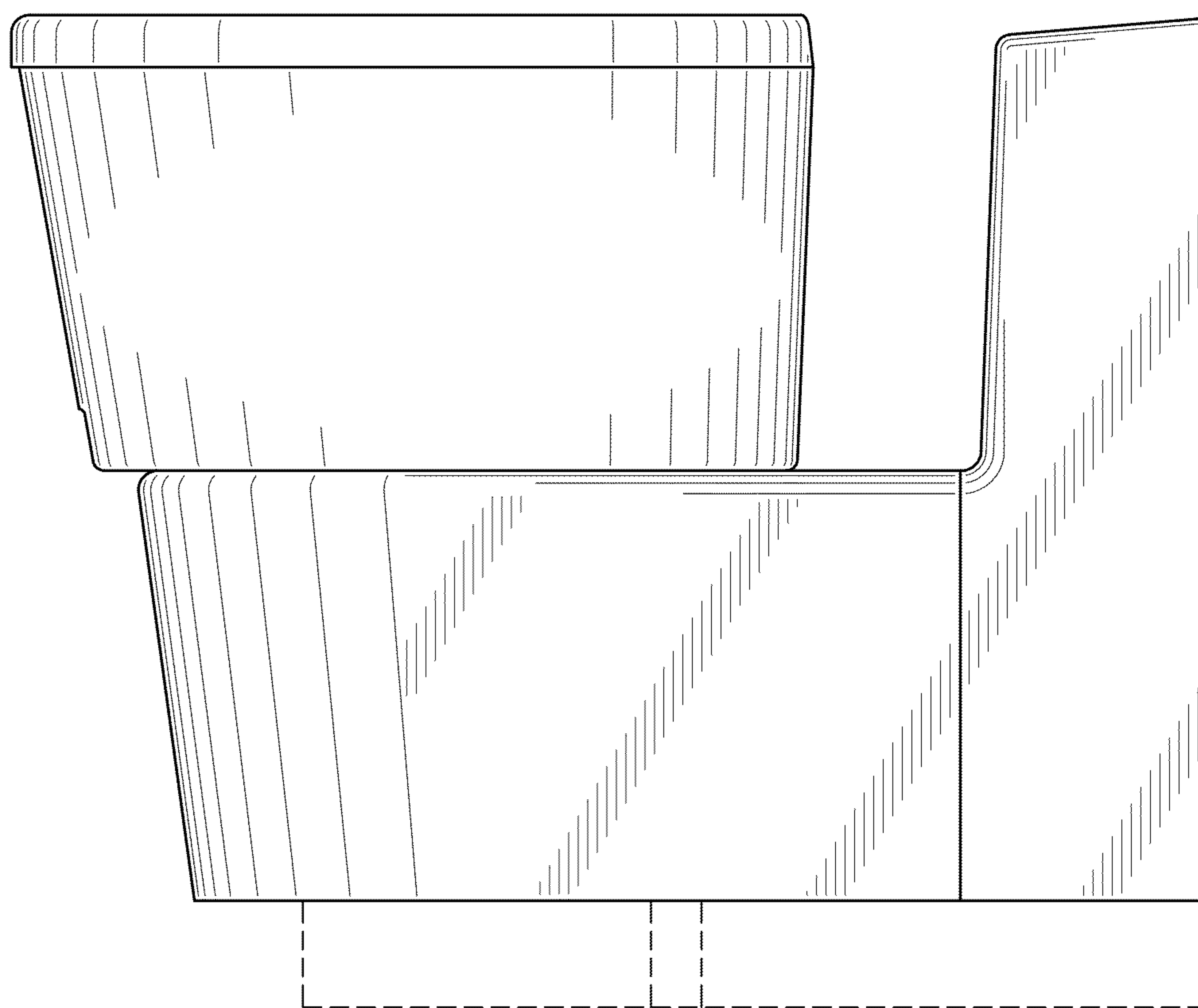


FIG. 11

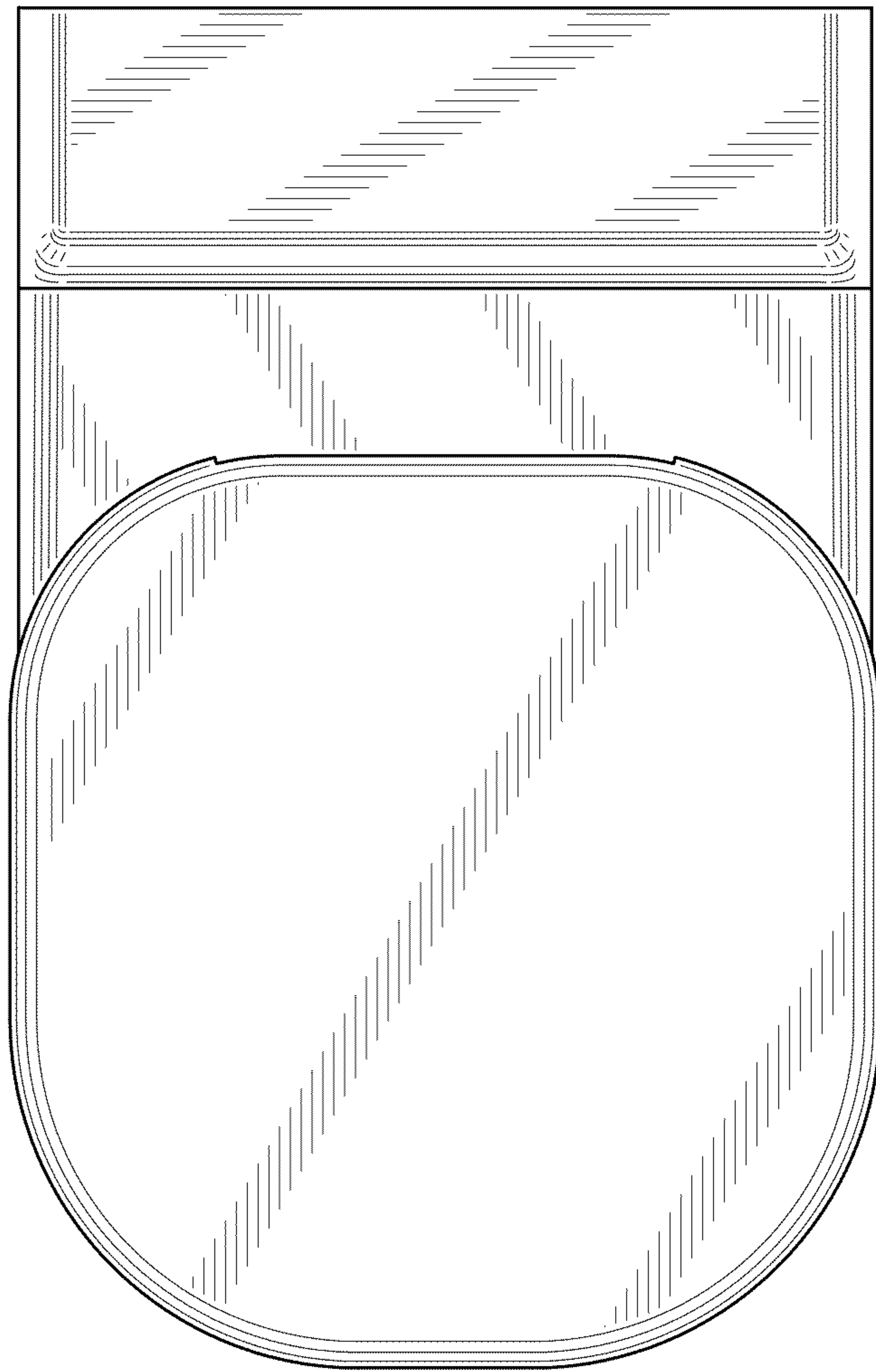


FIG. 12

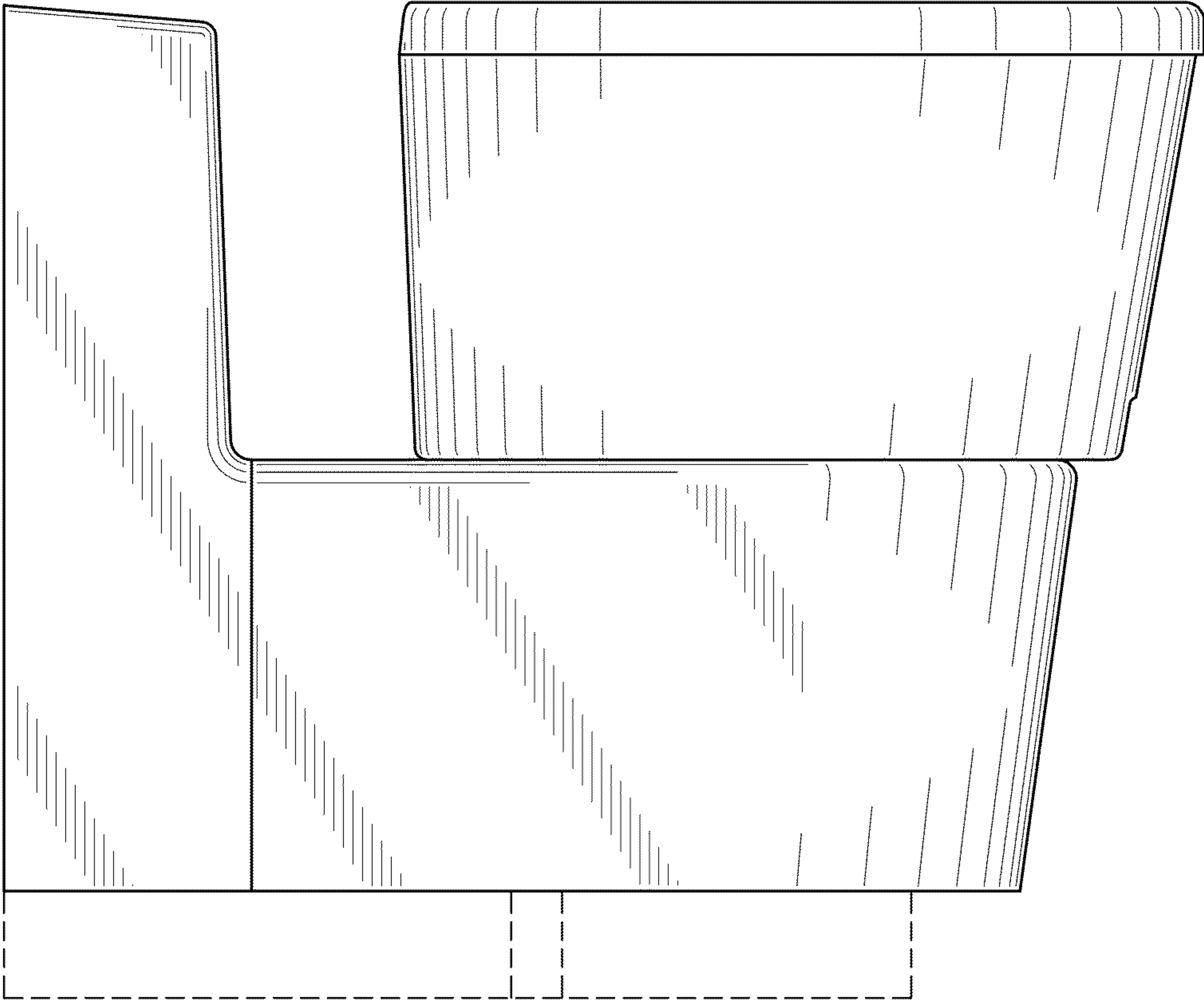


FIG. 13

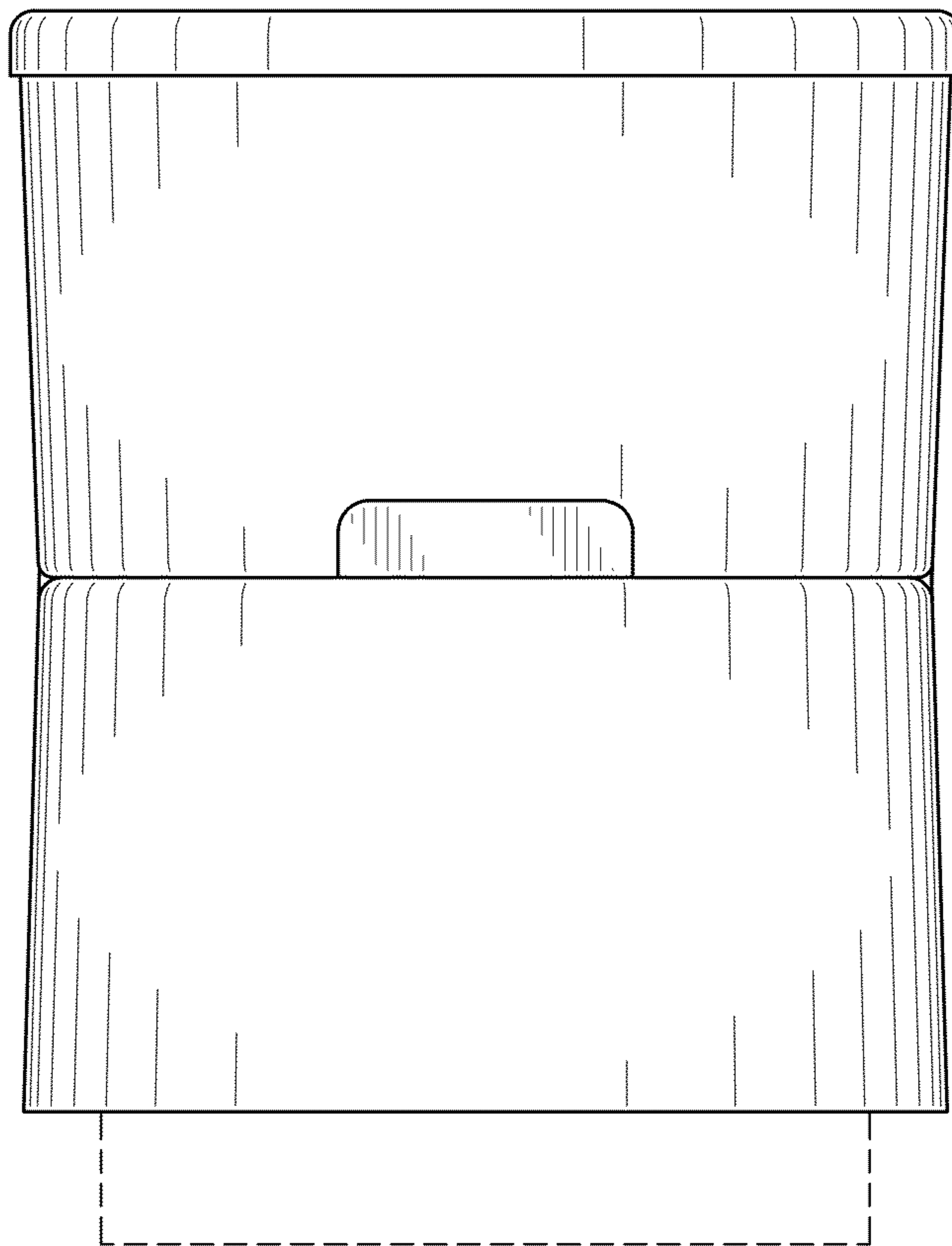


FIG. 14