



US00D708719S

(12) **United States Design Patent**
Jochim et al.

(10) **Patent No.:** **US D708,719 S**
(45) **Date of Patent:** **** Jul. 8, 2014**

- (54) **TOILET**
- (71) Applicant: **Dometic GmbH**, Siegen (DE)
- (72) Inventors: **Tim Jochim**, Wilnsdorf (DE); **Andrew Moseley**, Herborn (DE); **Jens Oxenfarth**, Ennepetal (DE)
- (73) Assignee: **Dometic GmbH**, Seigen (DE)
- (**) Term: **14 Years**
- (21) Appl. No.: **29/446,036**
- (22) Filed: **Feb. 20, 2013**
- (30) **Foreign Application Priority Data**
Aug. 23, 2012 (EM) 002091496
- (51) **LOC (10) Cl.** **23-02**
- (52) **U.S. Cl.**
USPC **D23/301**
- (58) **Field of Classification Search**
USPC D23/295–296, 299, 301, 303, 309, 313;
4/300, 315, 353, 42, 460, 234, 242.1,
4/237, 239
See application file for complete search history.

- (56) **References Cited**
U.S. PATENT DOCUMENTS
- D101,441 S * 10/1936 Dreyfuss D23/301
- D116,810 S * 9/1939 Uphues D23/301
- D222,060 S 9/1971 Quintana
- D231,458 S 4/1974 Fulton et al.
- 3,885,254 A * 5/1975 West 4/111.3
- D242,620 S * 12/1976 Frankel et al. D23/299
- D255,597 S 6/1980 Sargent et al.
- D257,071 S 9/1980 Yonezawa
- D261,799 S * 11/1981 Alger D23/301
- D271,707 S * 12/1983 De Graw et al. D23/299
- D271,708 S * 12/1983 DeGraw et al. D23/299
- 4,603,443 A 8/1986 Stewart

- D385,021 S * 10/1997 White D23/299
- D473,636 S 4/2003 Barry
- D487,138 S 2/2004 Billsund et al.
- D508,116 S * 8/2005 Tani et al. D23/301
- 7,325,257 B2 2/2008 Kolar et al.
- D587,791 S * 3/2009 Jaeckel et al. D23/299
- D646,366 S * 10/2011 Palomba et al. D23/301
- D678,486 S * 3/2013 Bickerstaffe et al. D23/301

* cited by examiner

Primary Examiner — Robert Delehanty
(74) *Attorney, Agent, or Firm* — Pearne & Gordon LLP

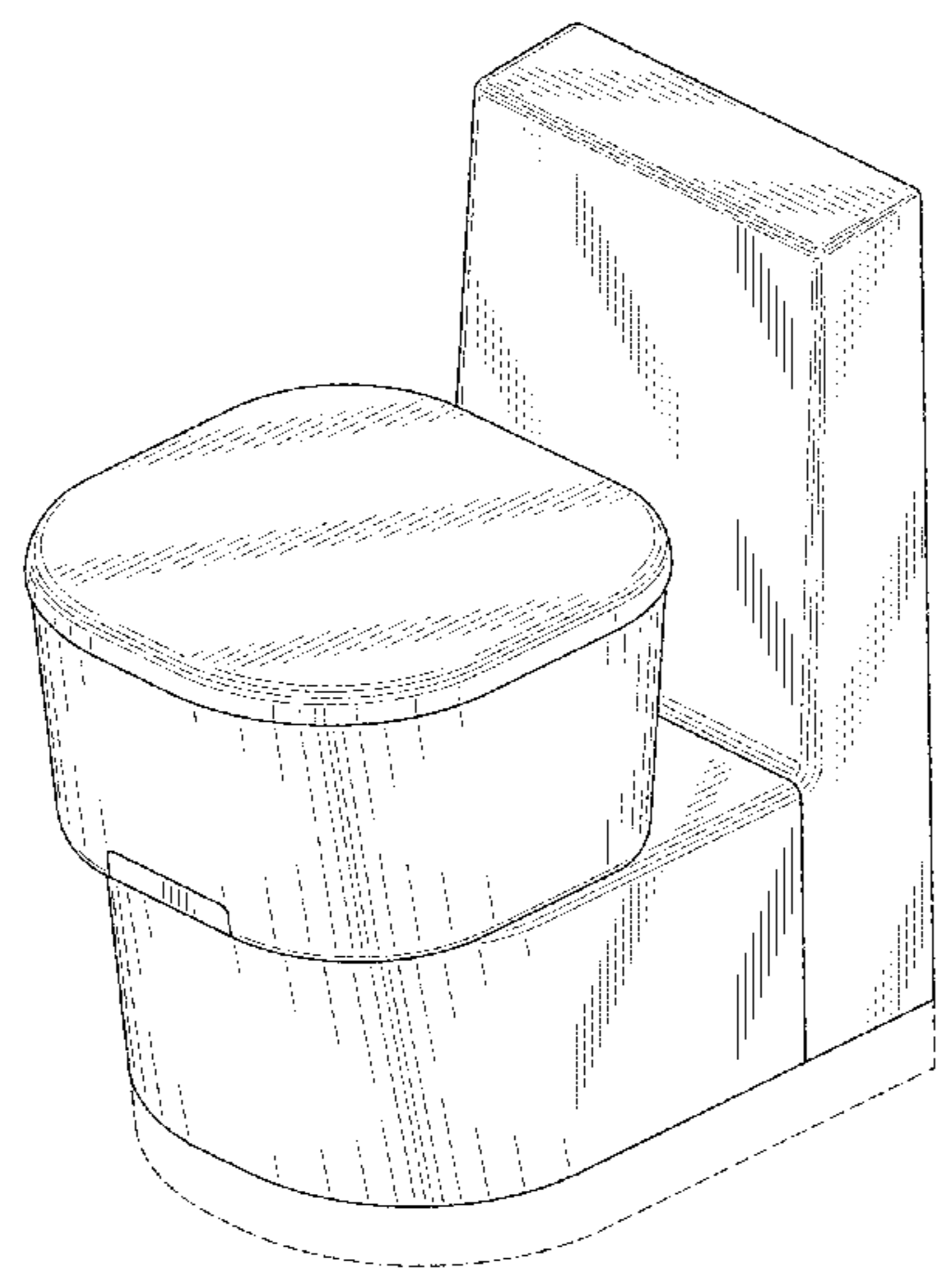
(57) **CLAIM**
The ornamental design for a toilet, as shown and described.

DESCRIPTION

FIG. 1 is an isometric view of a first toilet showing our new design;
 FIG. 2 is another isometric view thereof with a portion rotated;
 FIG. 3 is another isometric view thereof with a portion rotated;
 FIG. 4 is a right side view thereof;
 FIG. 5 is a top view thereof;
 FIG. 6 is a left side view thereof;
 FIG. 7 is a front view thereof;
 FIG. 8 is an isometric view of a second toilet showing our new design;
 FIG. 9 is another isometric view thereof with a portion rotated;
 FIG. 10 is another isometric view thereof with a portion rotated;
 FIG. 11 is a right side view thereof;
 FIG. 12 is a top view thereof;
 FIG. 13 is a left side view thereof; and,
 FIG. 14 is a front view thereof.

The broken lines shown on the drawing disclosure are for illustrative purposes only and form no part of the claimed design.

1 Claim, 14 Drawing Sheets



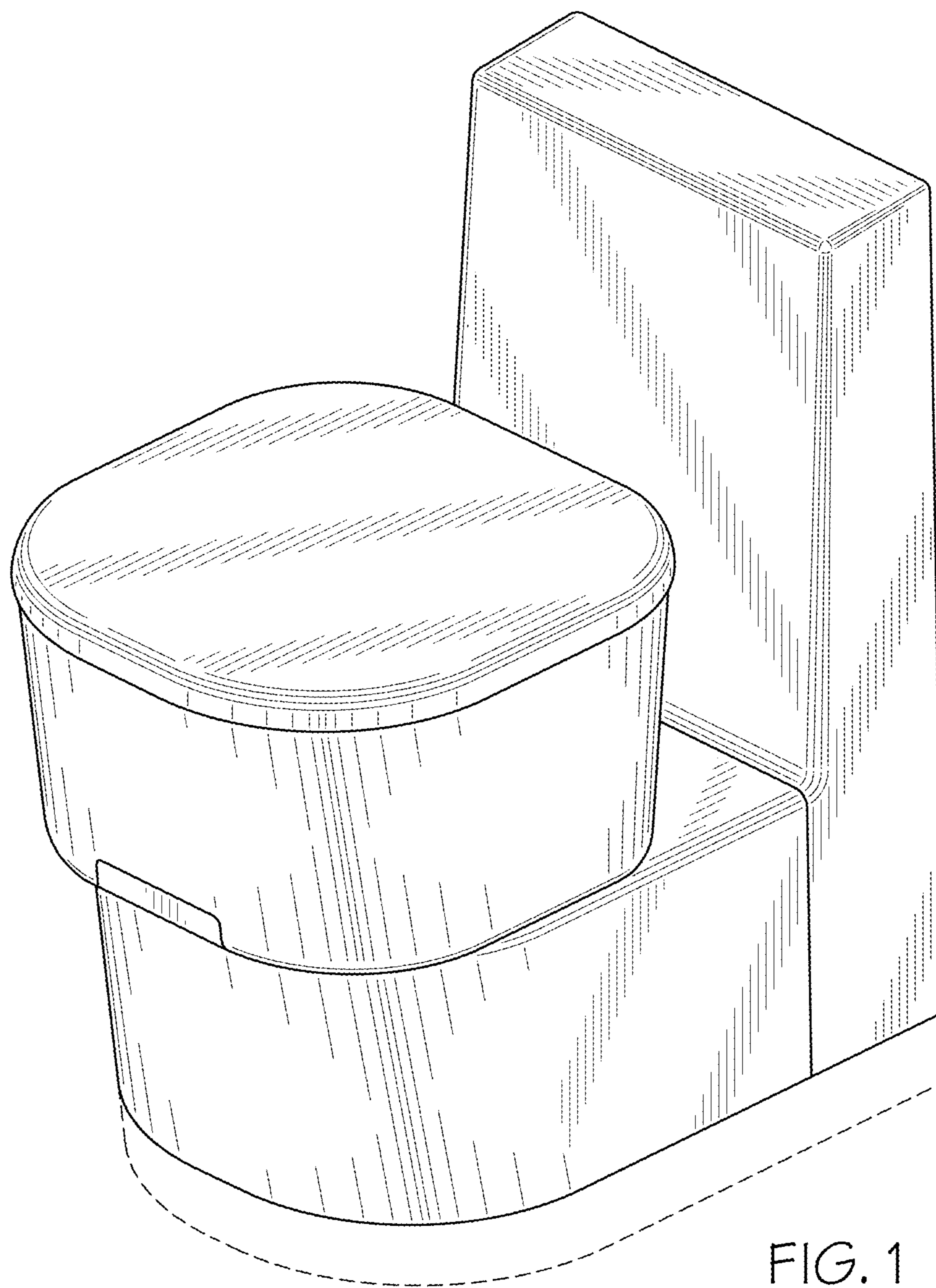
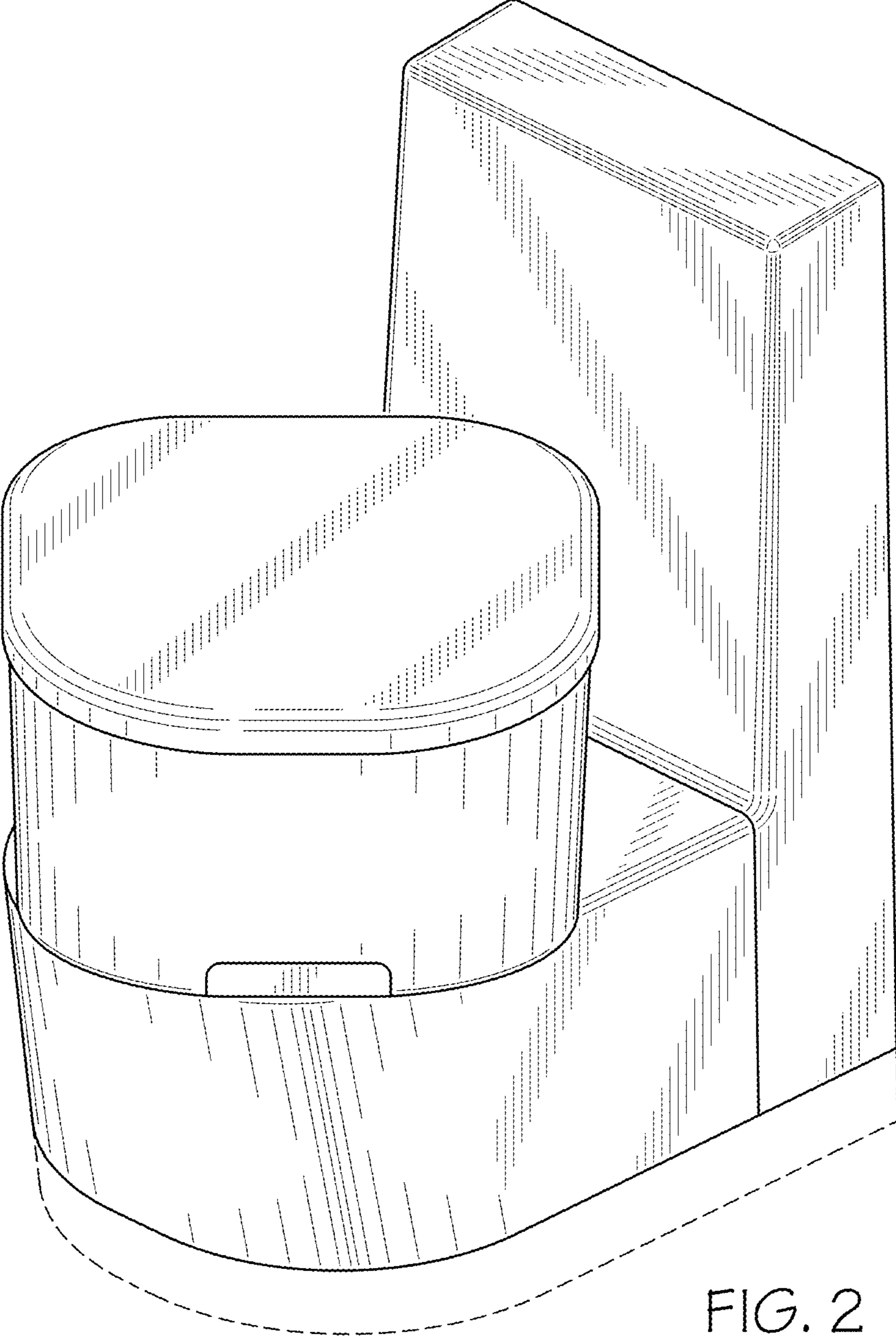


FIG. 1



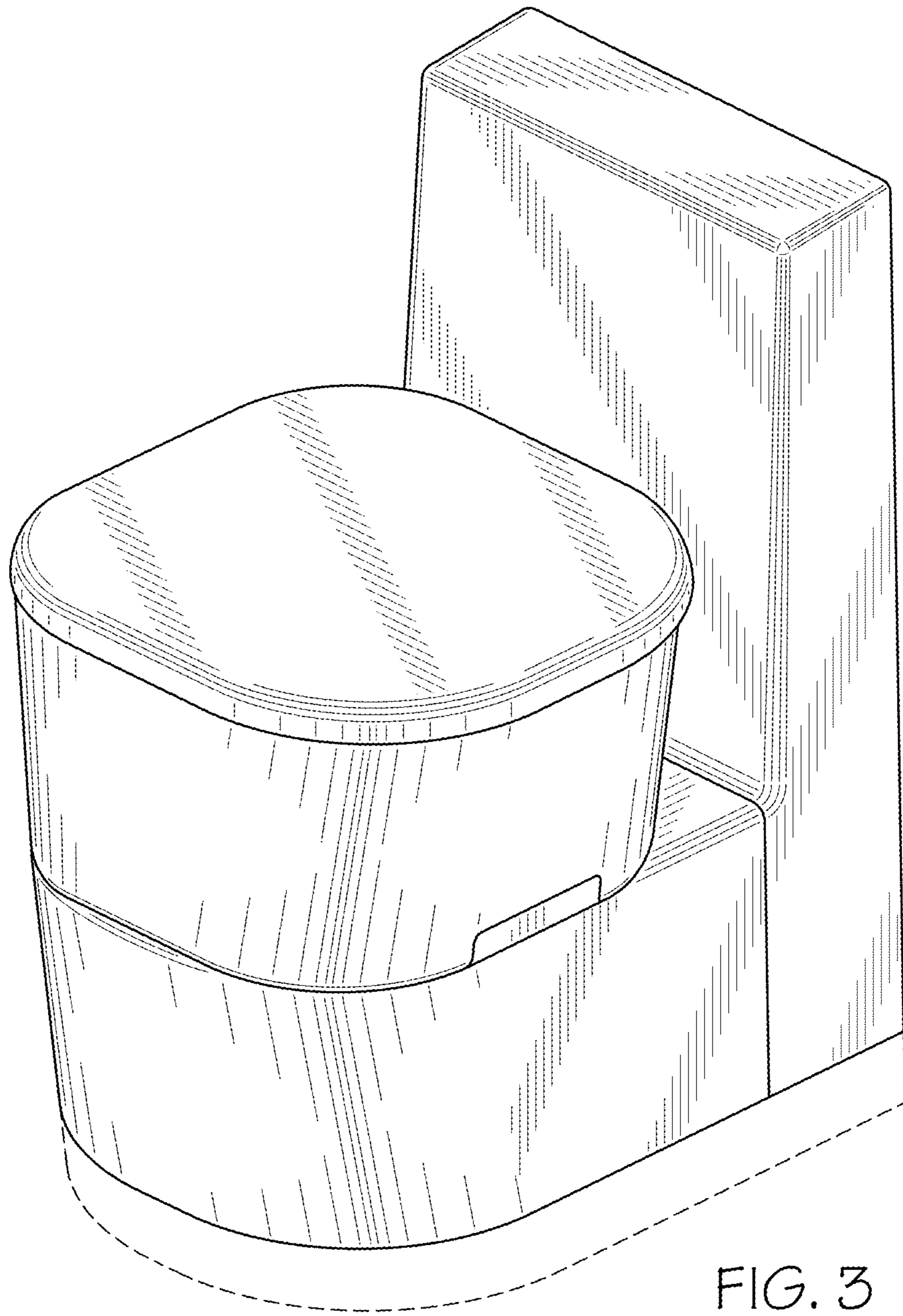


FIG. 3

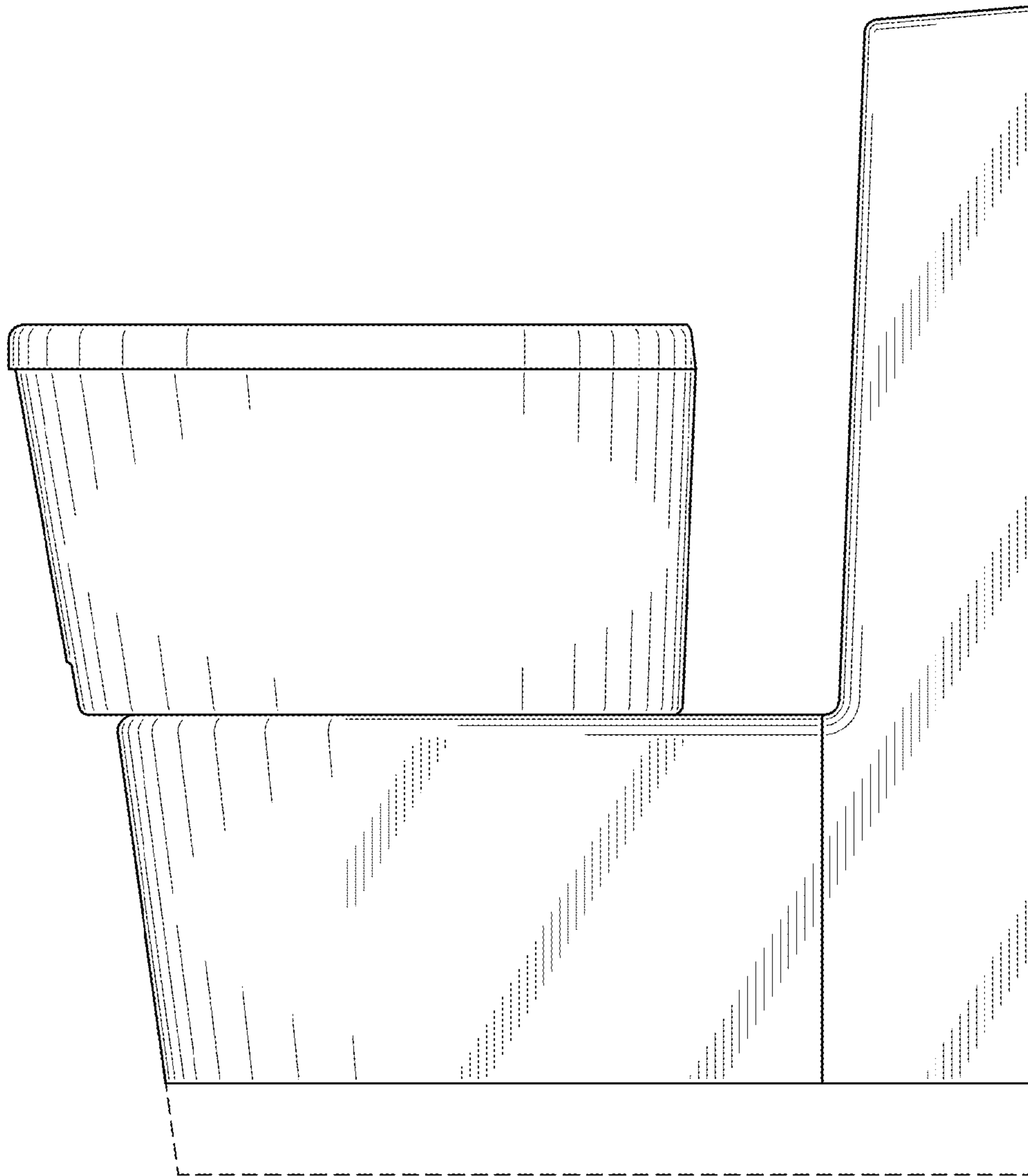


FIG. 4

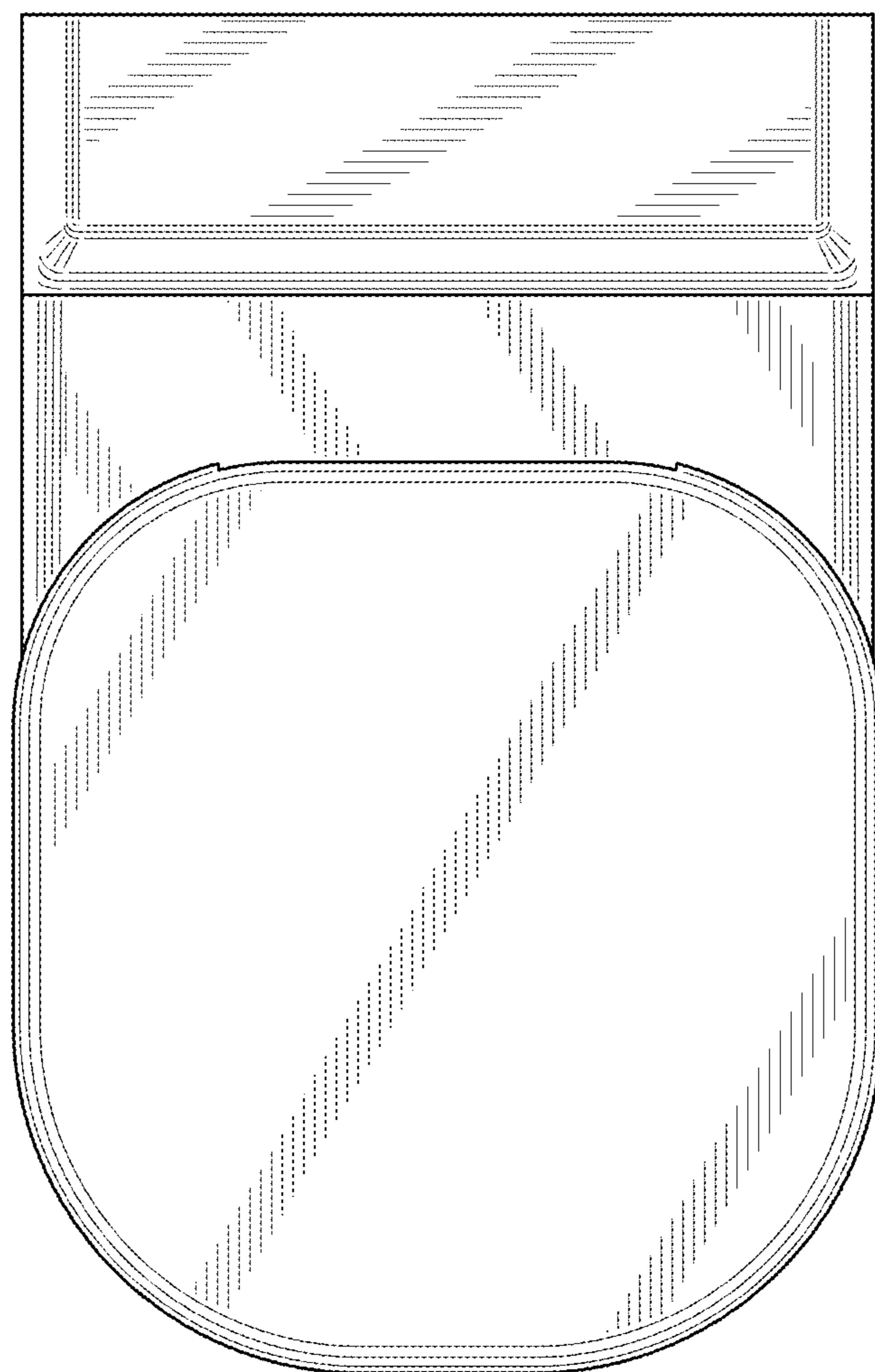


FIG. 5

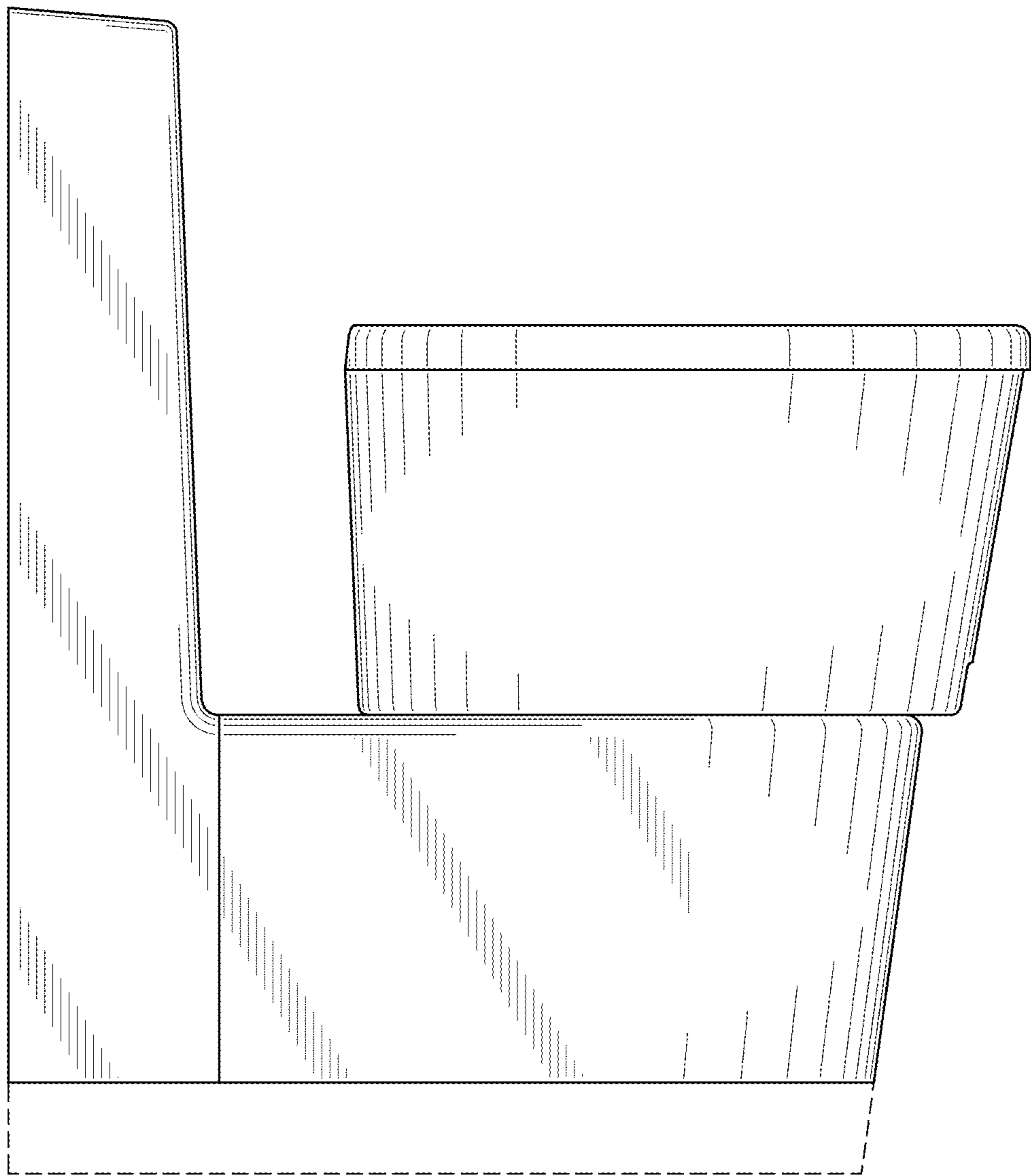


FIG. 6

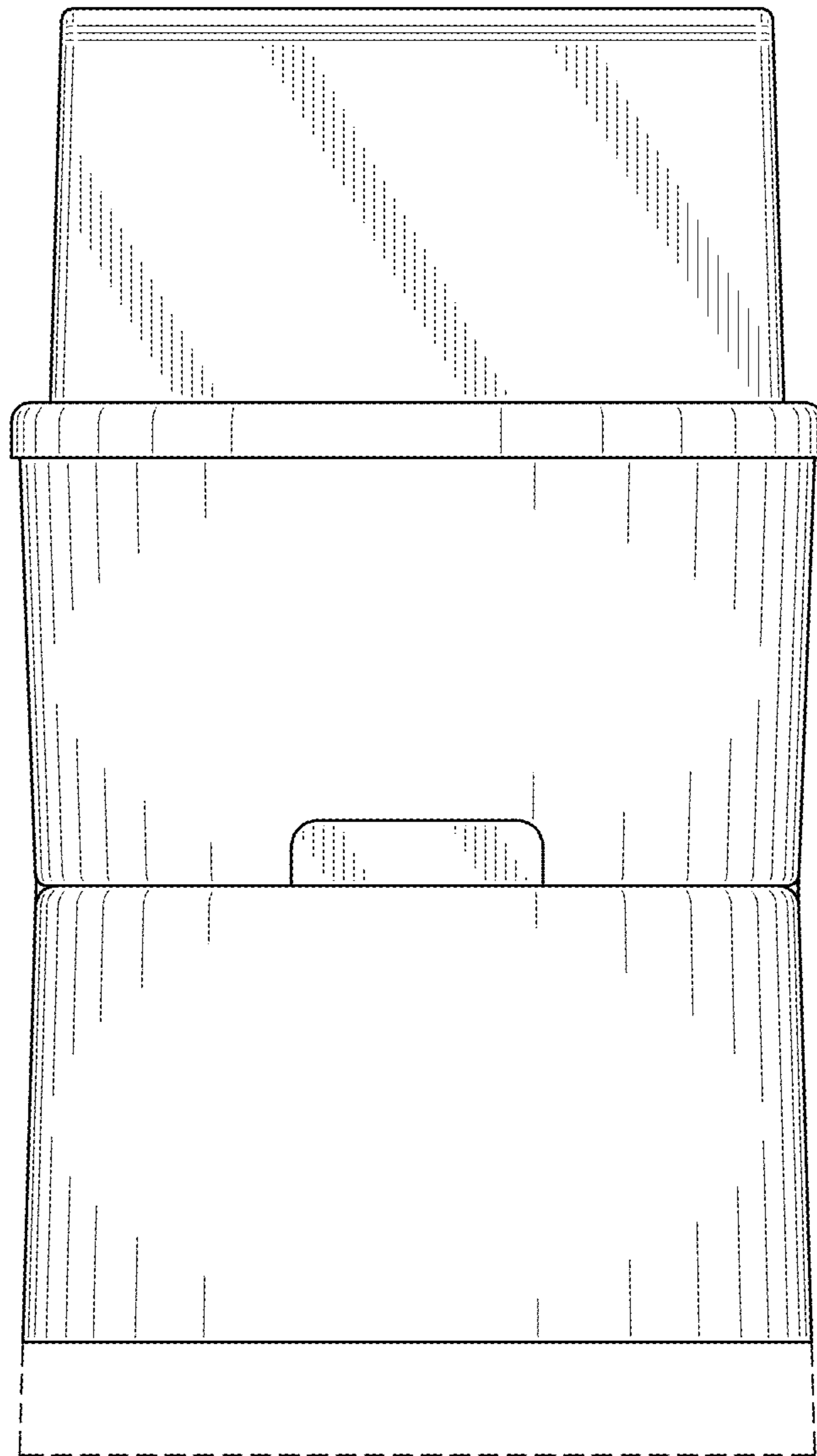


FIG. 7

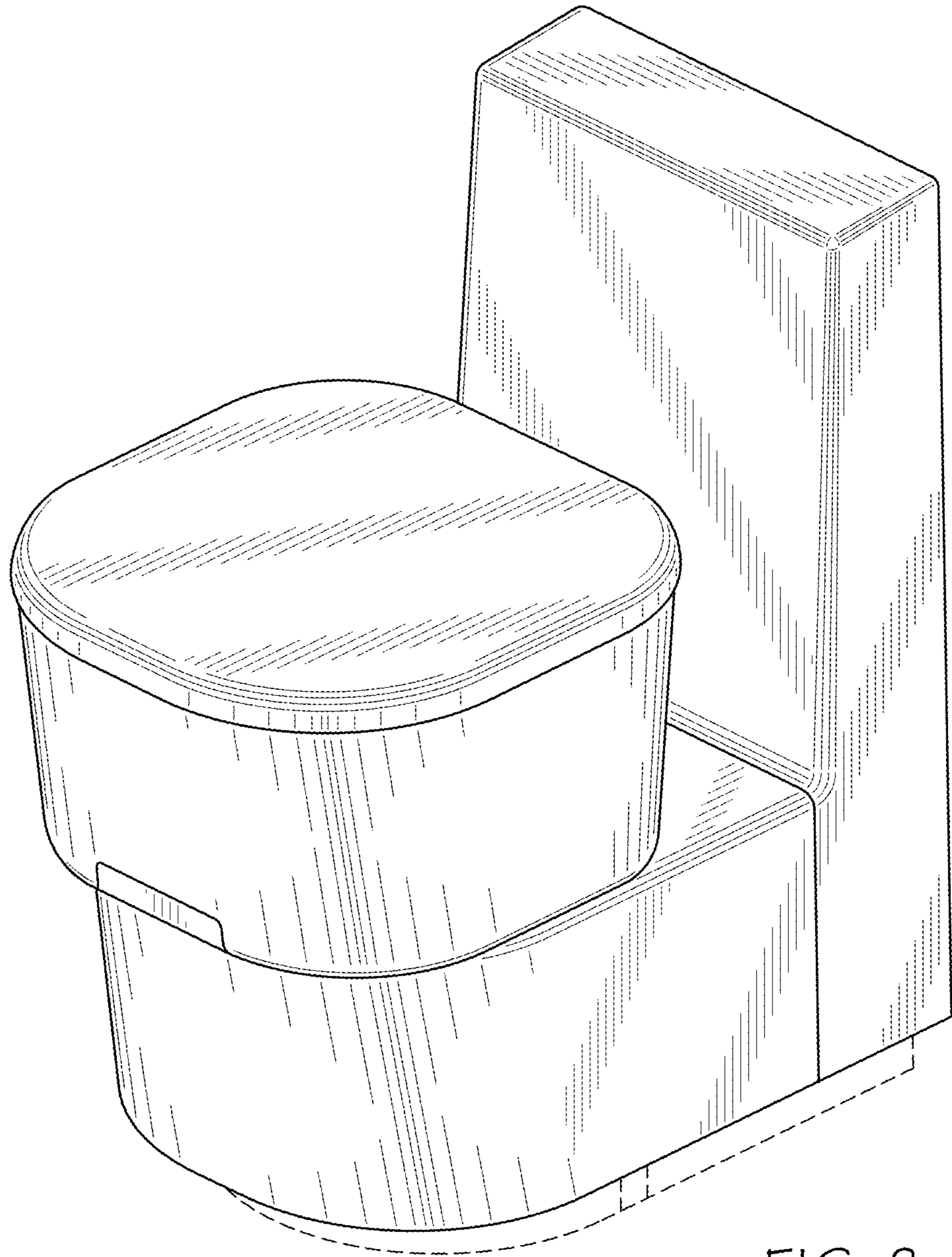


FIG. 8

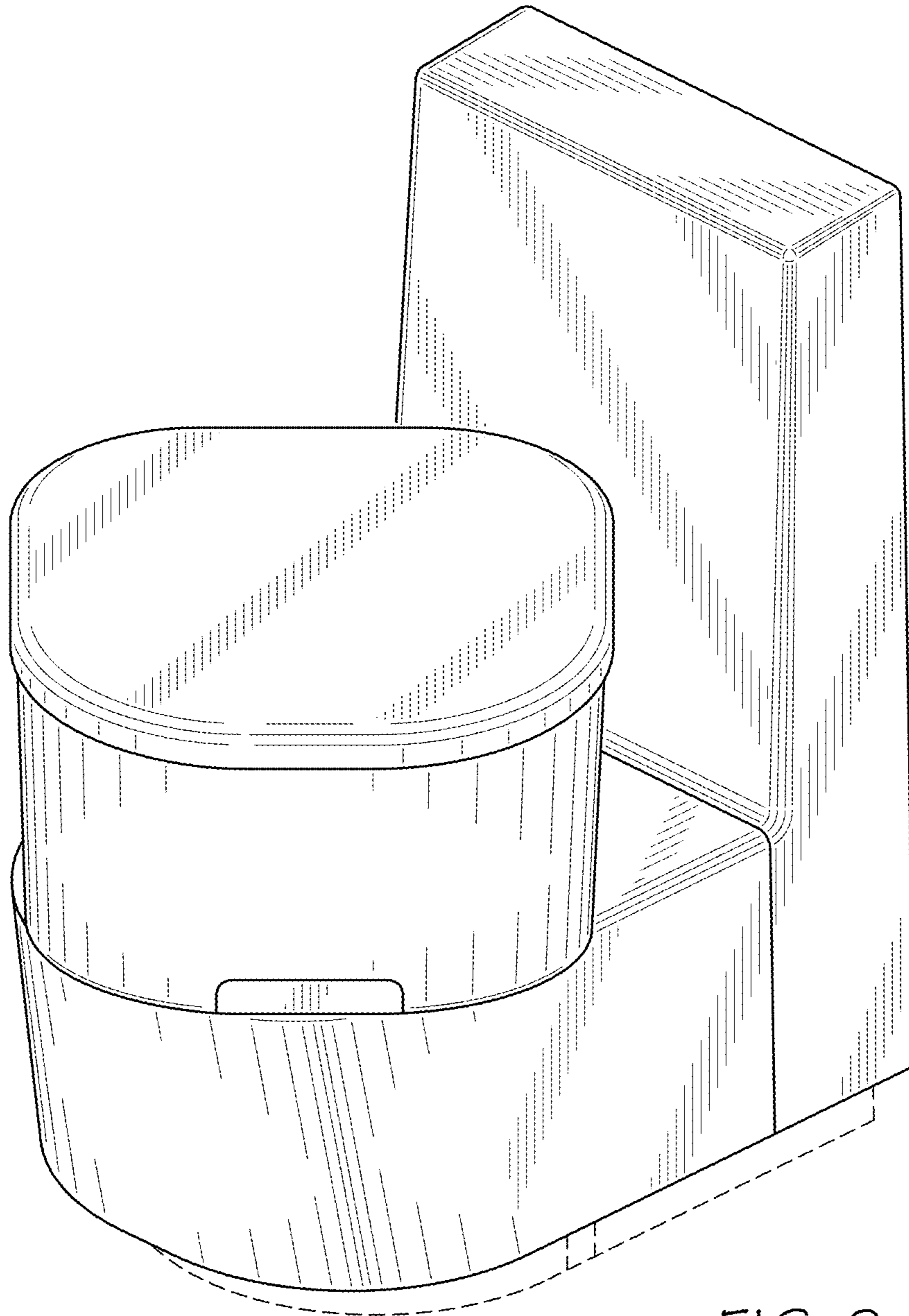


FIG. 9

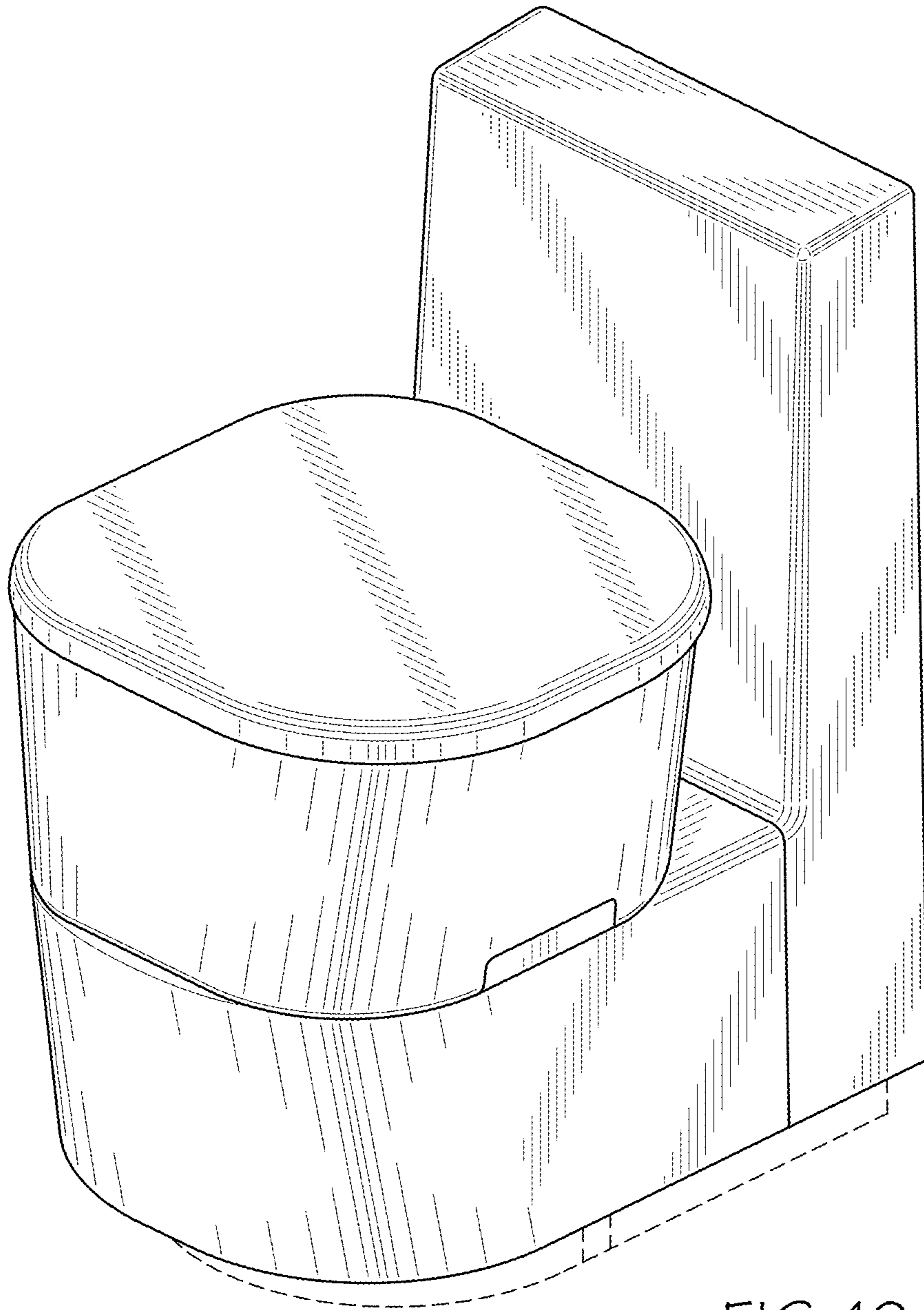


FIG. 10

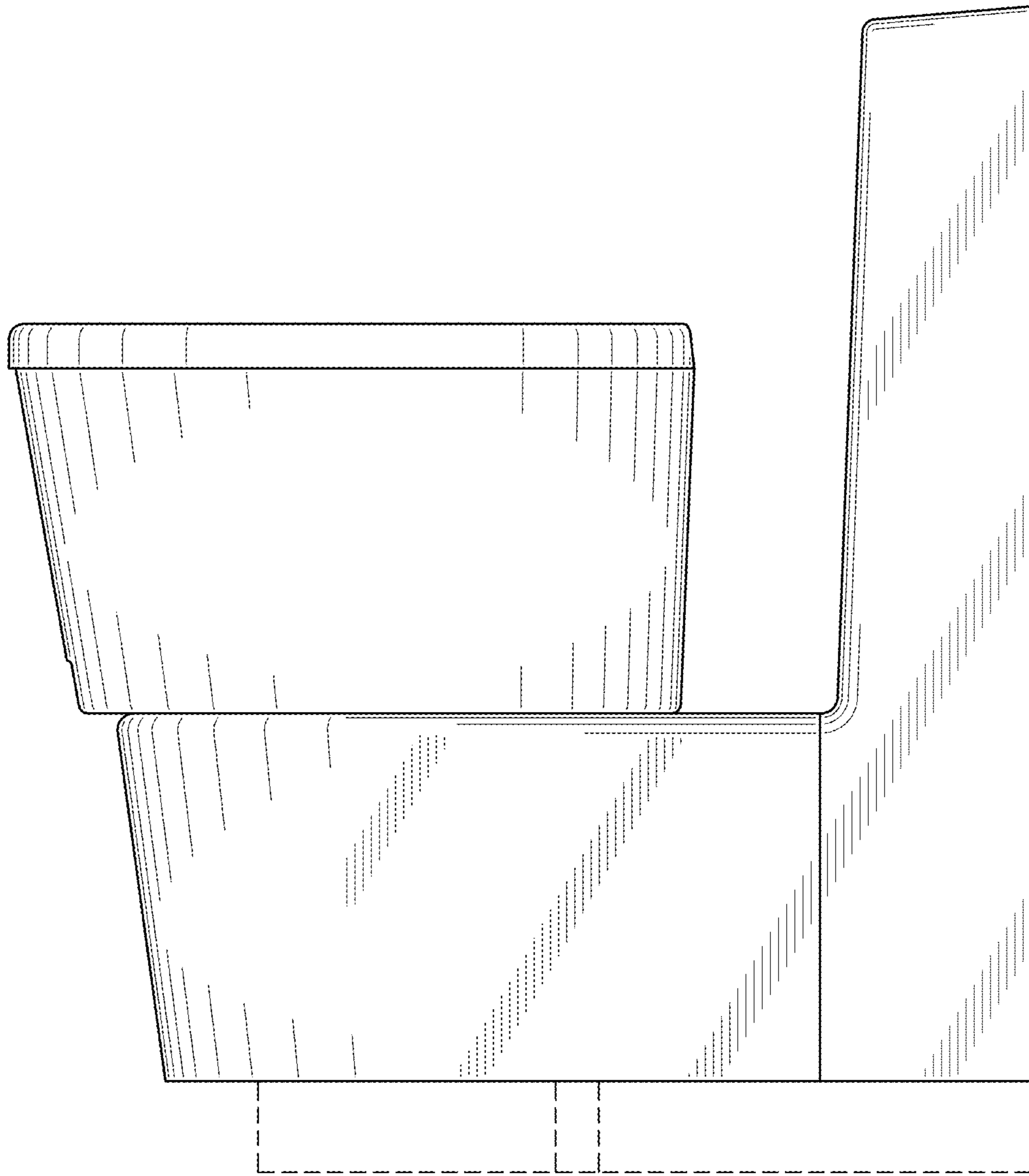


FIG. 11

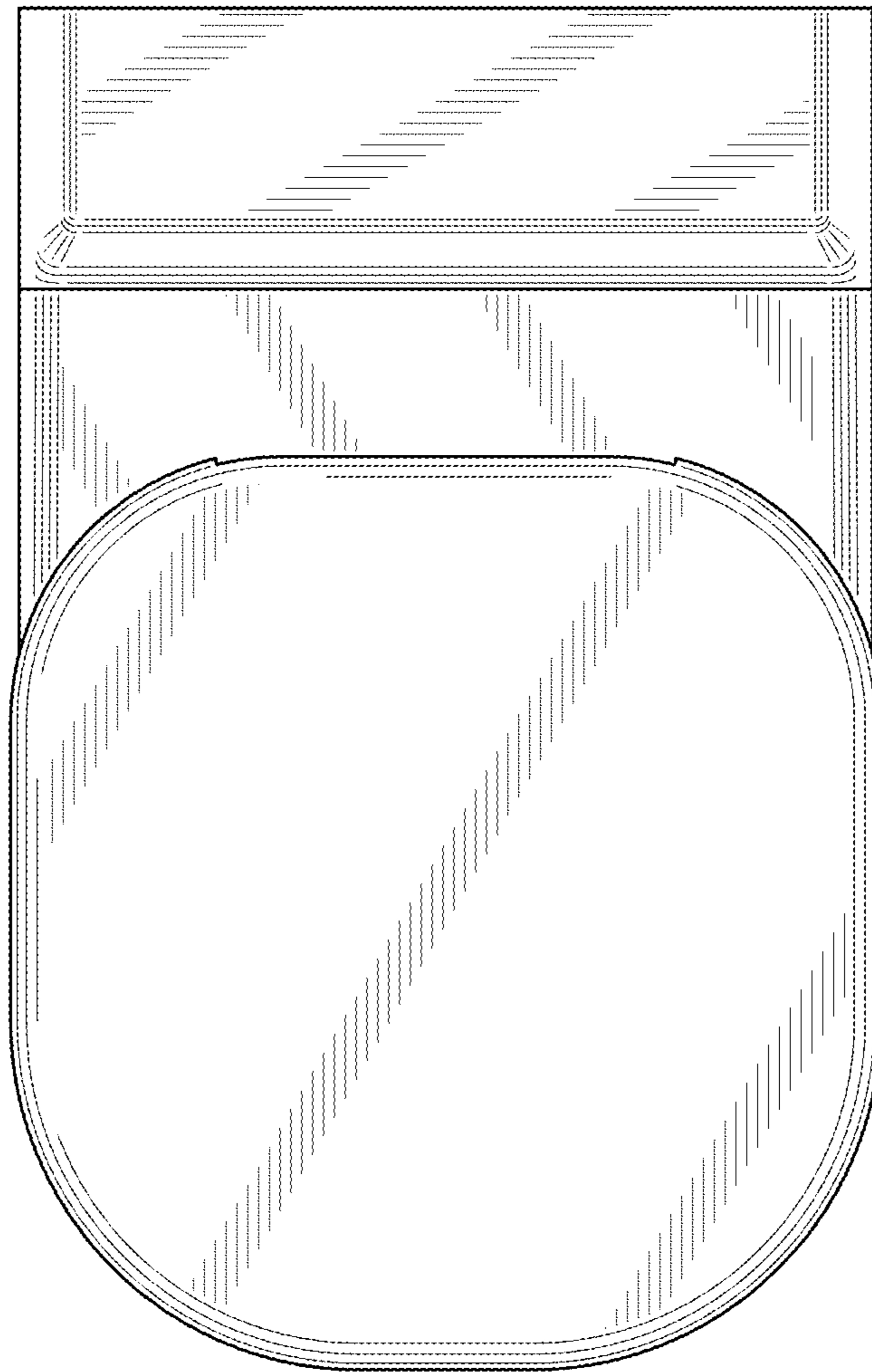


FIG. 12

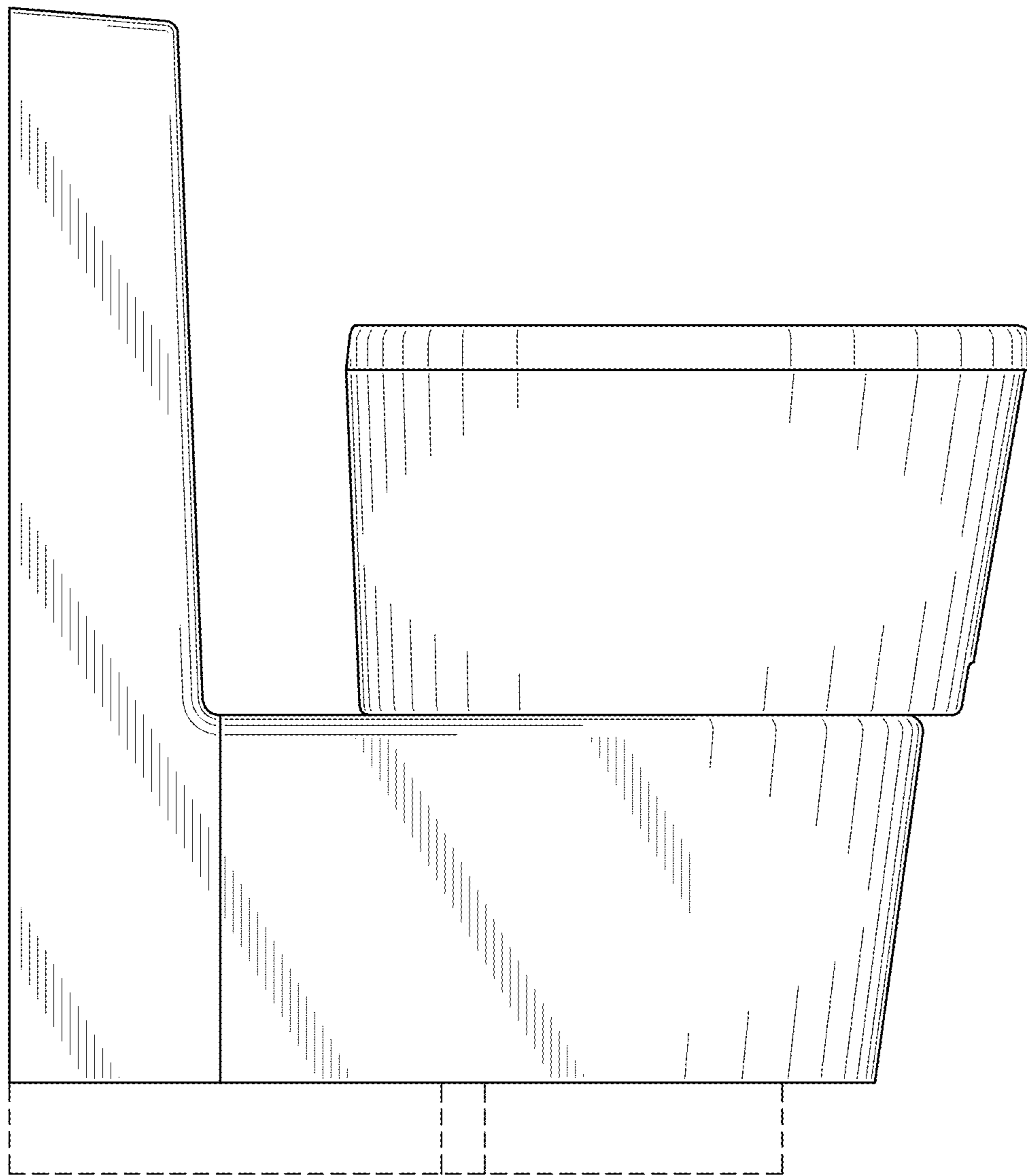


FIG. 13

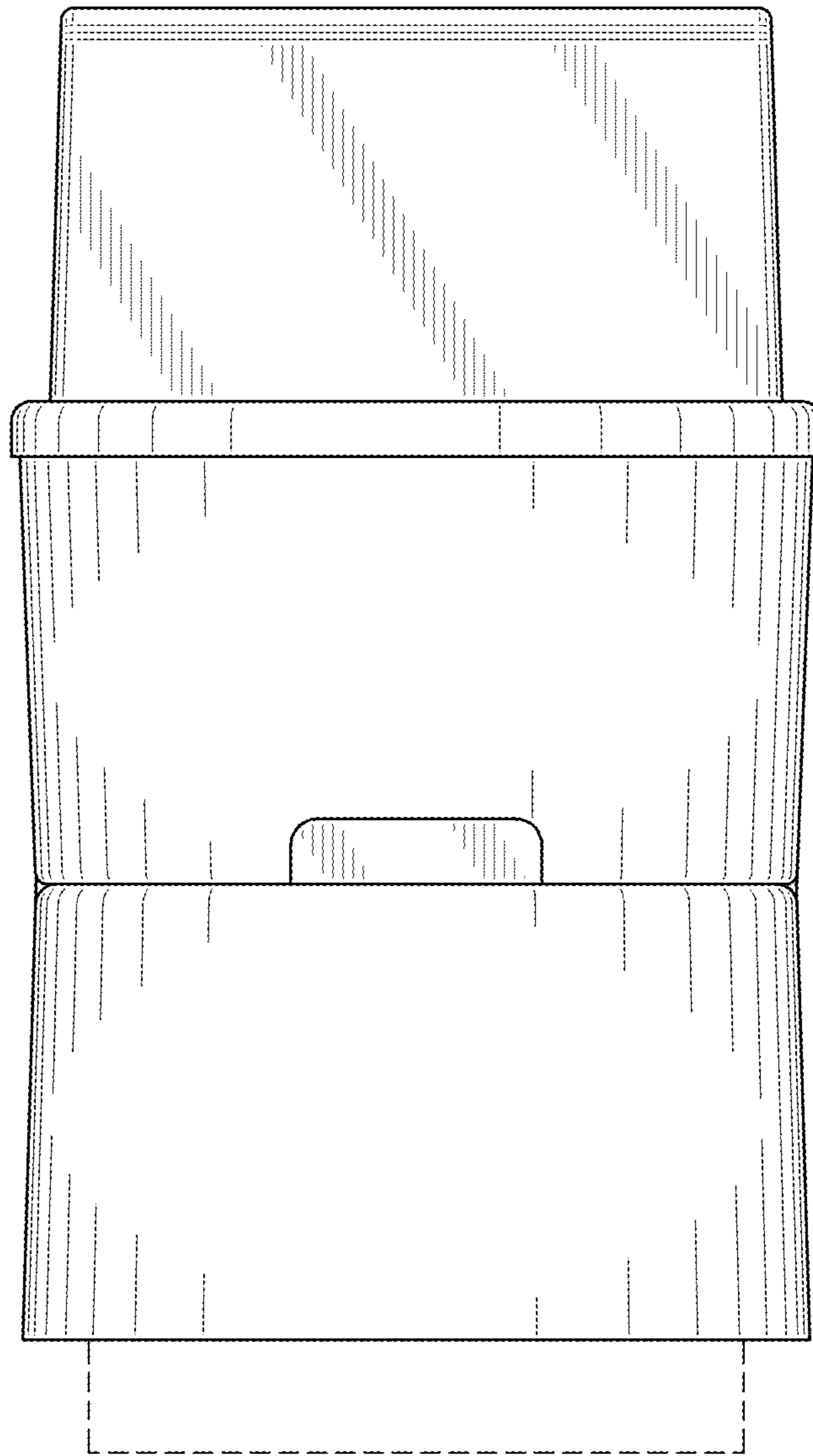


FIG. 14