



US00D708715S

(12) **United States Design Patent**
Citterio

(10) **Patent No.:** **US D708,715 S**
(45) **Date of Patent:** **** Jul. 8, 2014**

(54) **FAUCET**

D594,533 S * 6/2009 Schoenherr et al. D23/238
D625,779 S * 10/2010 Sandee et al. D23/238

(71) Applicant: **Hansgrohe SE**, Schiltach (DE)

FOREIGN PATENT DOCUMENTS

(72) Inventor: **Antonio Citterio**, Milan (IT)

EM	000125000-0002	1/2004
EM	000863063-0003	1/2008
EM	001011415-0002	9/2008
EM	002089508-0003	8/2012
EM	002089664-0003	8/2012

(73) Assignee: **Hansgrohe SE**, Schiltach (DE)

(**) Term: **14 Years**

* cited by examiner

(21) Appl. No.: **29/480,054**

(22) Filed: **Jan. 23, 2014**

Primary Examiner — Robert Delehanty

(74) *Attorney, Agent, or Firm* — Lora J. Graentzdoerffer

(30) **Foreign Application Priority Data**

Jul. 26, 2013 (EM) 001379093-0015

(57) **CLAIM**

(51) **LOC (10) Cl.** **23-01**

The ornamental design for a faucet, as shown and described.

(52) **U.S. Cl.**

USPC **D23/238**

(58) **Field of Classification Search**

CPC E03C 1/04; E03C 1/0401; E03C 1/0404;
E03C 1/0415

USPC D23/239, 241–243, 249–250, 252–255,
D23/257

See application file for complete search history.

DESCRIPTION

FIG. 1 is a perspective view of a faucet showing my design;
FIG. 2 is a front elevational view;
FIG. 3 is a rear elevational view;
FIG. 4 is a left side elevational view;
FIG. 5 is a right side elevational view;
FIG. 6 is a top plan view; and,
FIG. 7 is a bottom plan view.

The broken lines in the drawings represent unclaimed portions of the design and form no part of the claimed design.

(56) **References Cited**

U.S. PATENT DOCUMENTS

D478,966 S 8/2003 Citterio
D479,739 S 9/2003 Citterio

1 Claim, 7 Drawing Sheets

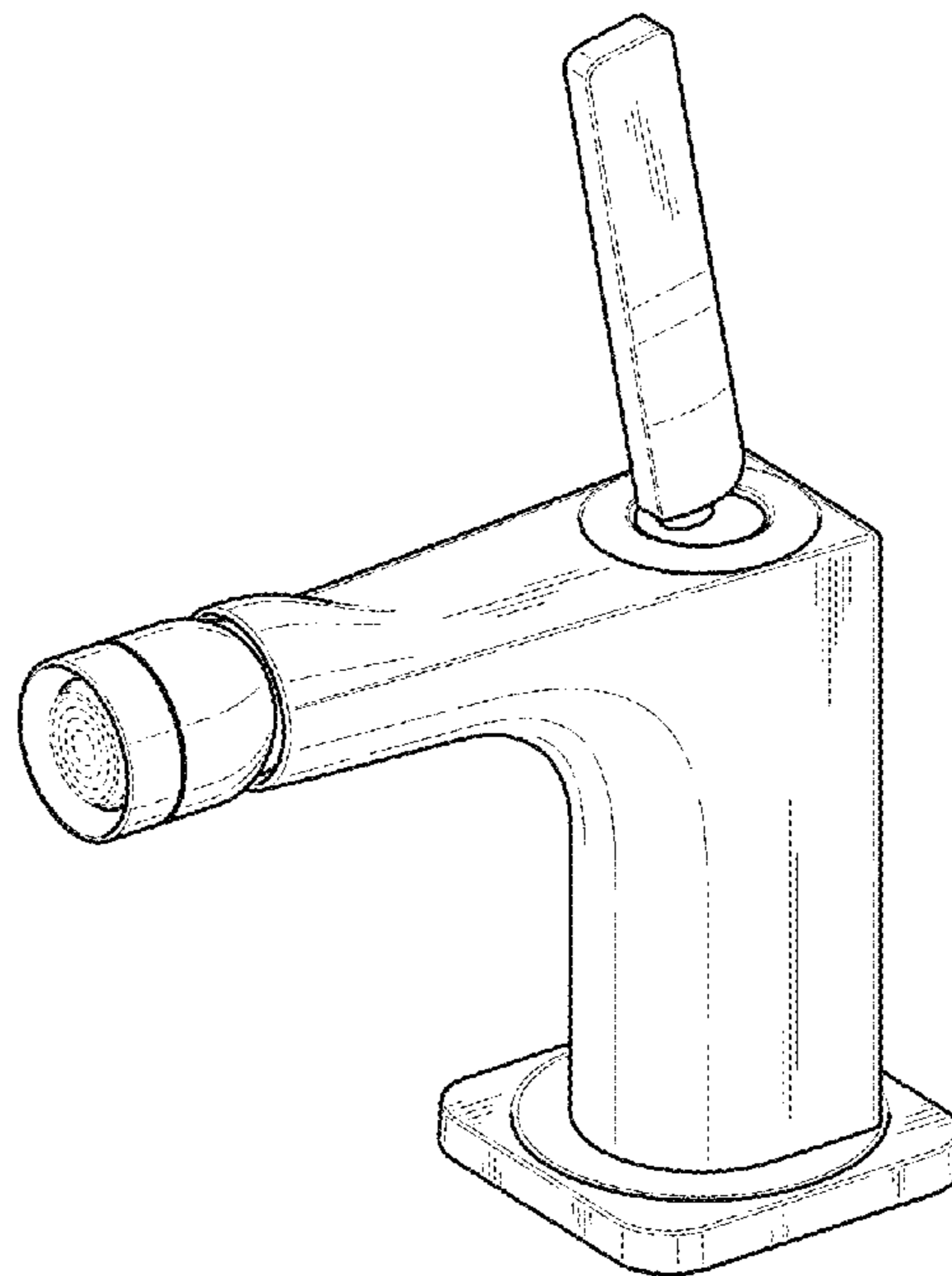


FIG. 1

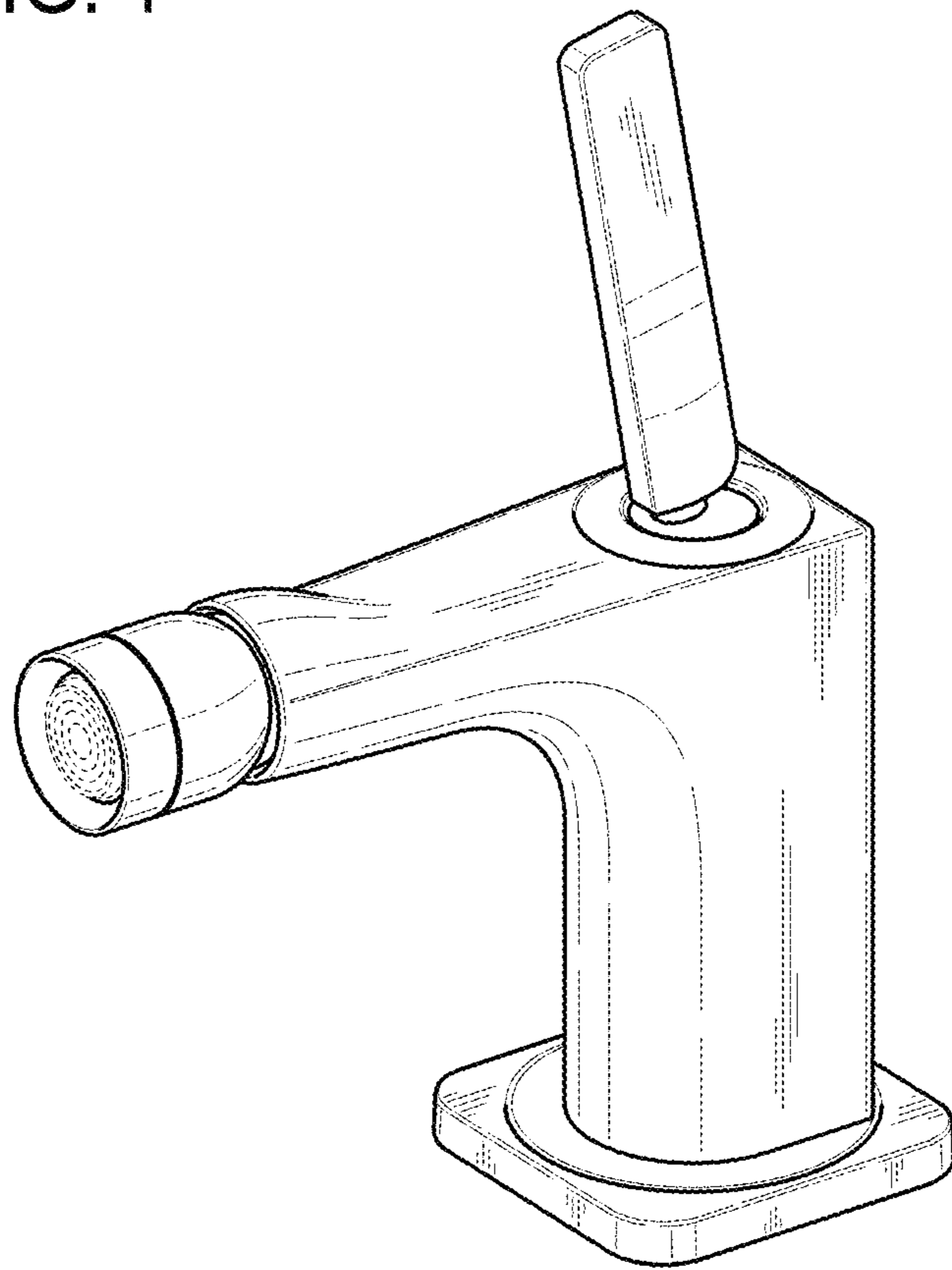


FIG. 2

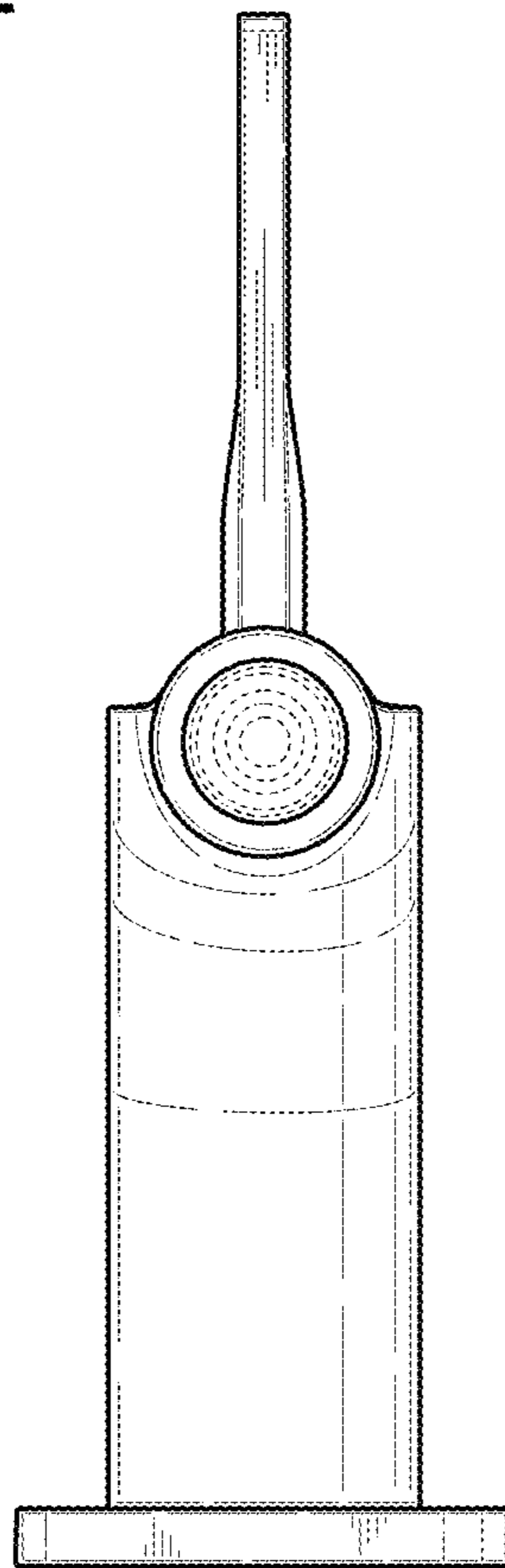


FIG. 3

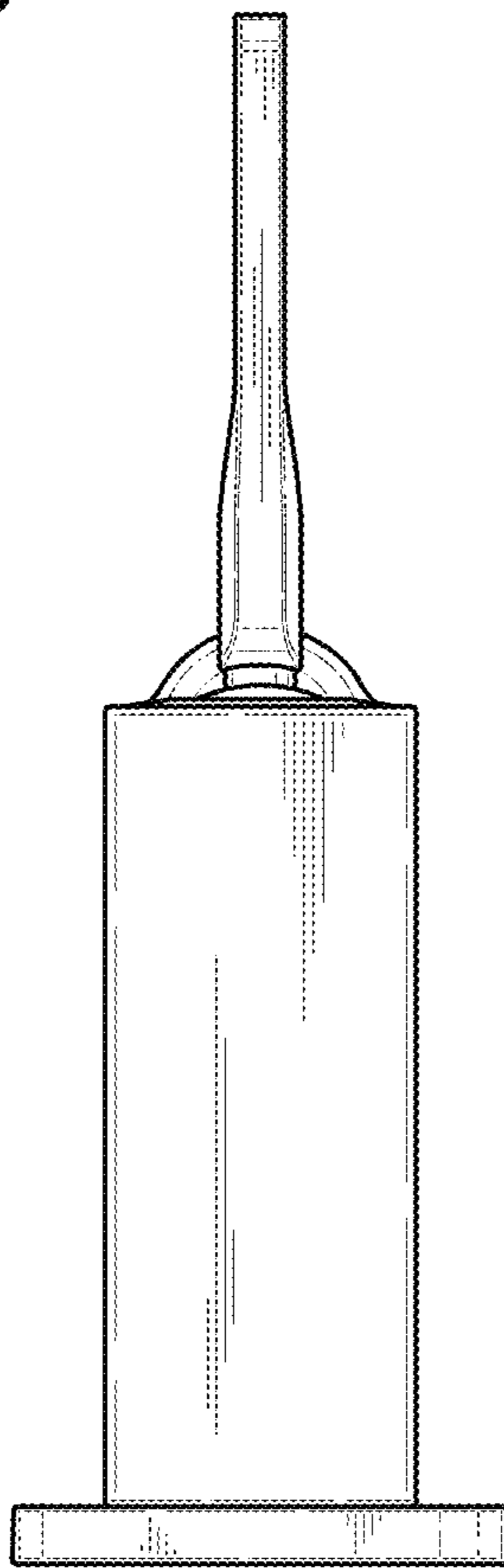


FIG. 4

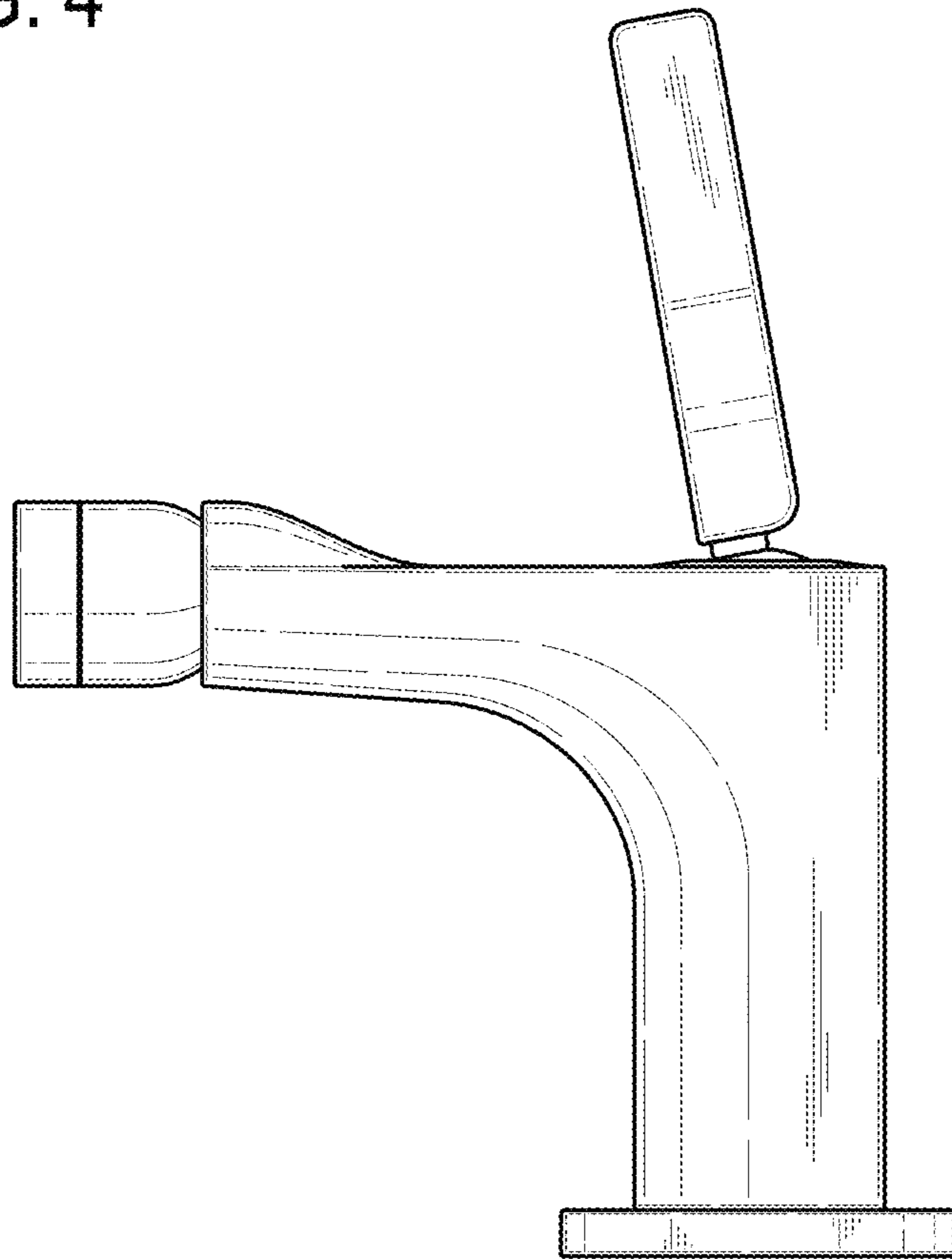


FIG. 5

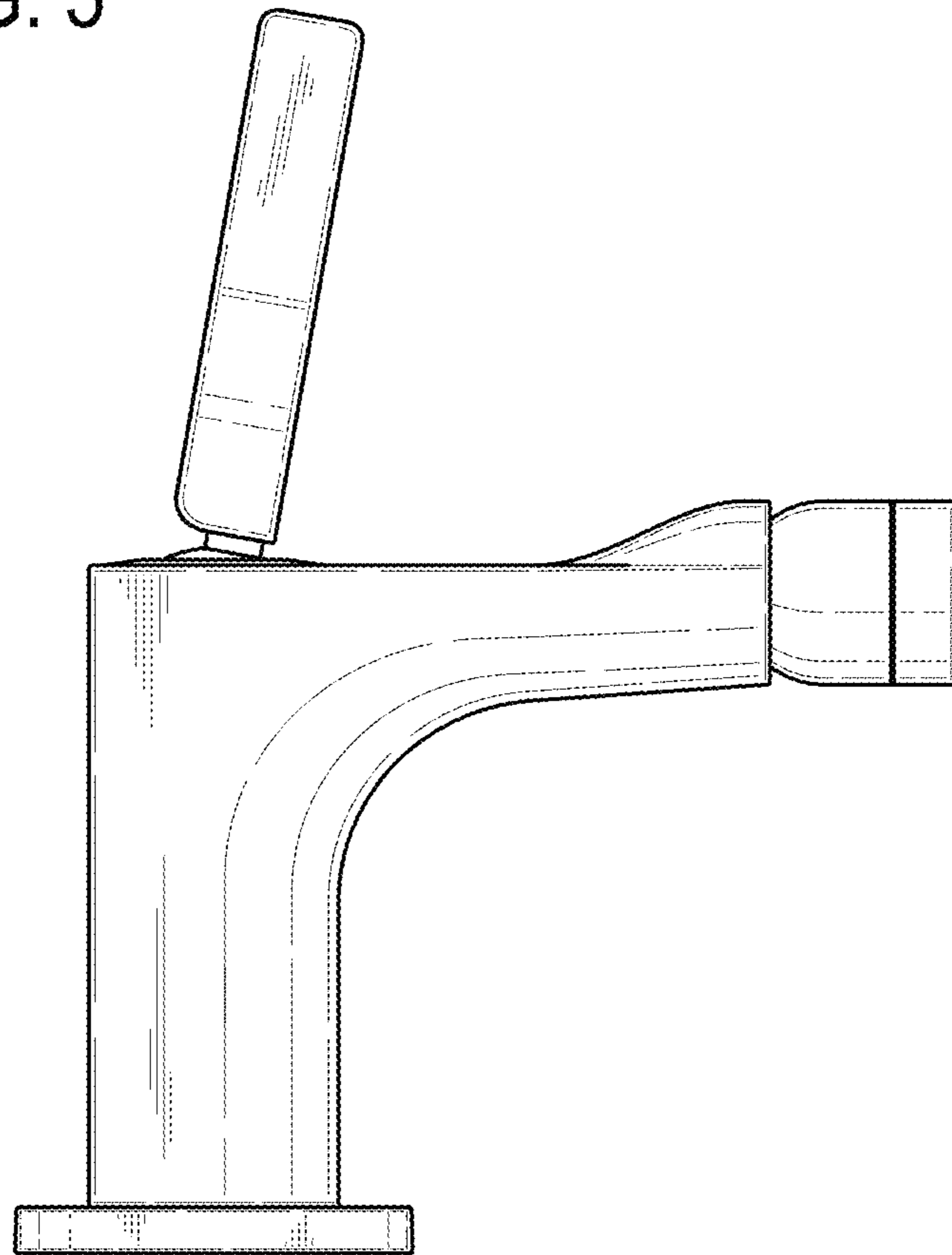


FIG. 6

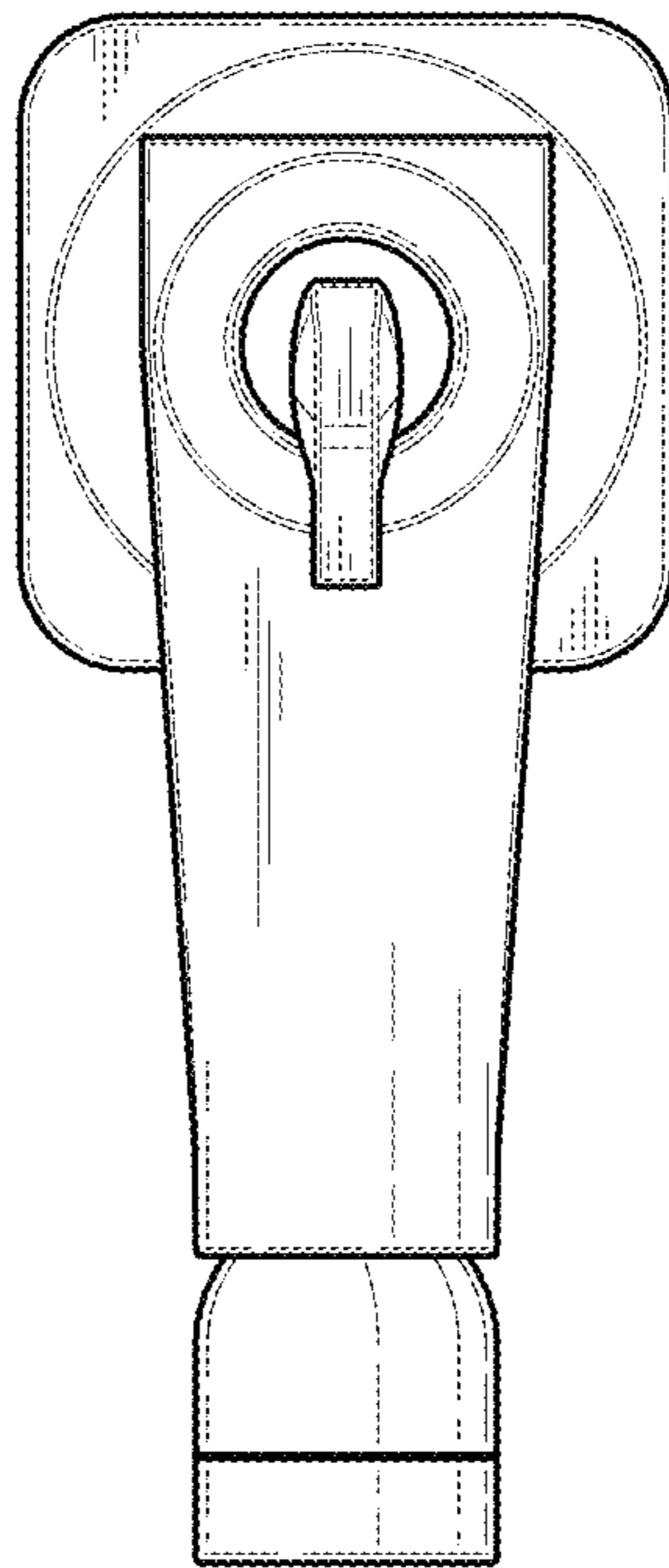


FIG. 7

