



US00D708713S

(12) **United States Design Patent**
Yu

(10) **Patent No.:** **US D708,713 S**
(45) **Date of Patent:** **** Jul. 8, 2014**

(54) **FAUCET**

(71) Applicant: **Yatin Bath Corporation**, Hangzhou (CN)

(72) Inventor: **Guang Yu**, Hangzhou (CN)

(73) Assignee: **Yatin Bath Corporation**, Hangzhou (CN)

(**) Term: **14 Years**

(21) Appl. No.: **29/467,490**

(22) Filed: **Sep. 19, 2013**

(51) **LOC (10) Cl.** **23-01**

(52) **U.S. Cl.**
USPC **D23/238**

(58) **Field of Classification Search**
USPC D23/238-243, 249, 250, 252, 255;
4/675-678; 137/801

See application file for complete search history.

(56) **References Cited**

U.S. PATENT DOCUMENTS

D589,594 S *	3/2009	Lammel et al.	D23/238
D598,979 S *	8/2009	Nobili	D23/238
D605,261 S *	12/2009	Allard	D23/255
D681,783 S *	5/2013	Chong	D23/249

* cited by examiner

Primary Examiner — Robert Delehanty

(74) *Attorney, Agent, or Firm* — Jacobson Holman, PLLC.;
Jiwen Chen

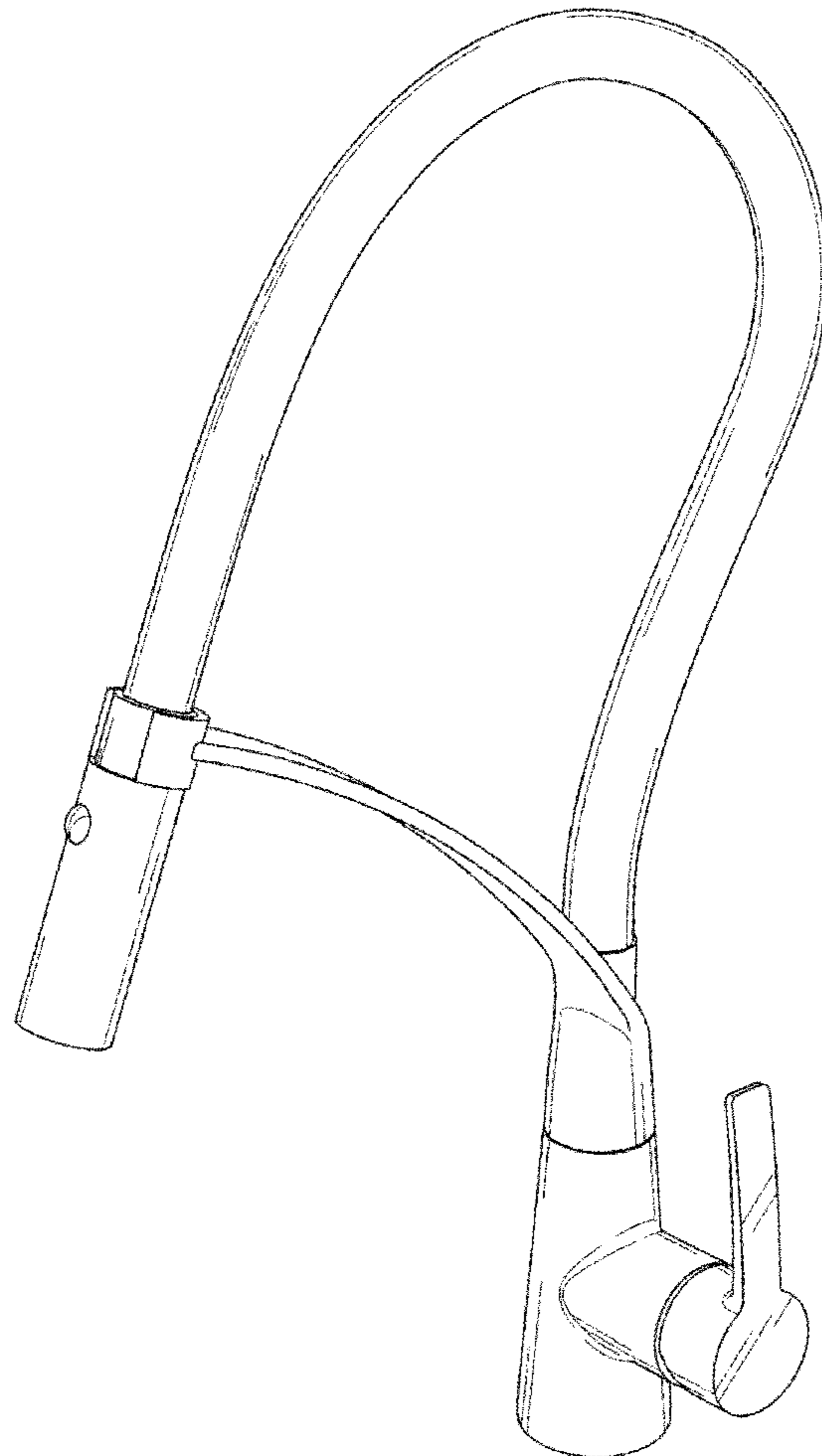
(57) **CLAIM**

The ornamental design for the faucet, as shown and described.

DESCRIPTION

FIG. 1 is a perspective view of the faucet showing the design;
FIG. 2 is a front elevational view thereof;
FIG. 3 is a rear elevational view thereof;
FIG. 4 is a right side elevational view thereof;
FIG. 5 is a left side elevational view thereof; and,
FIG. 6 is a top plan view thereof.

1 Claim, 6 Drawing Sheets



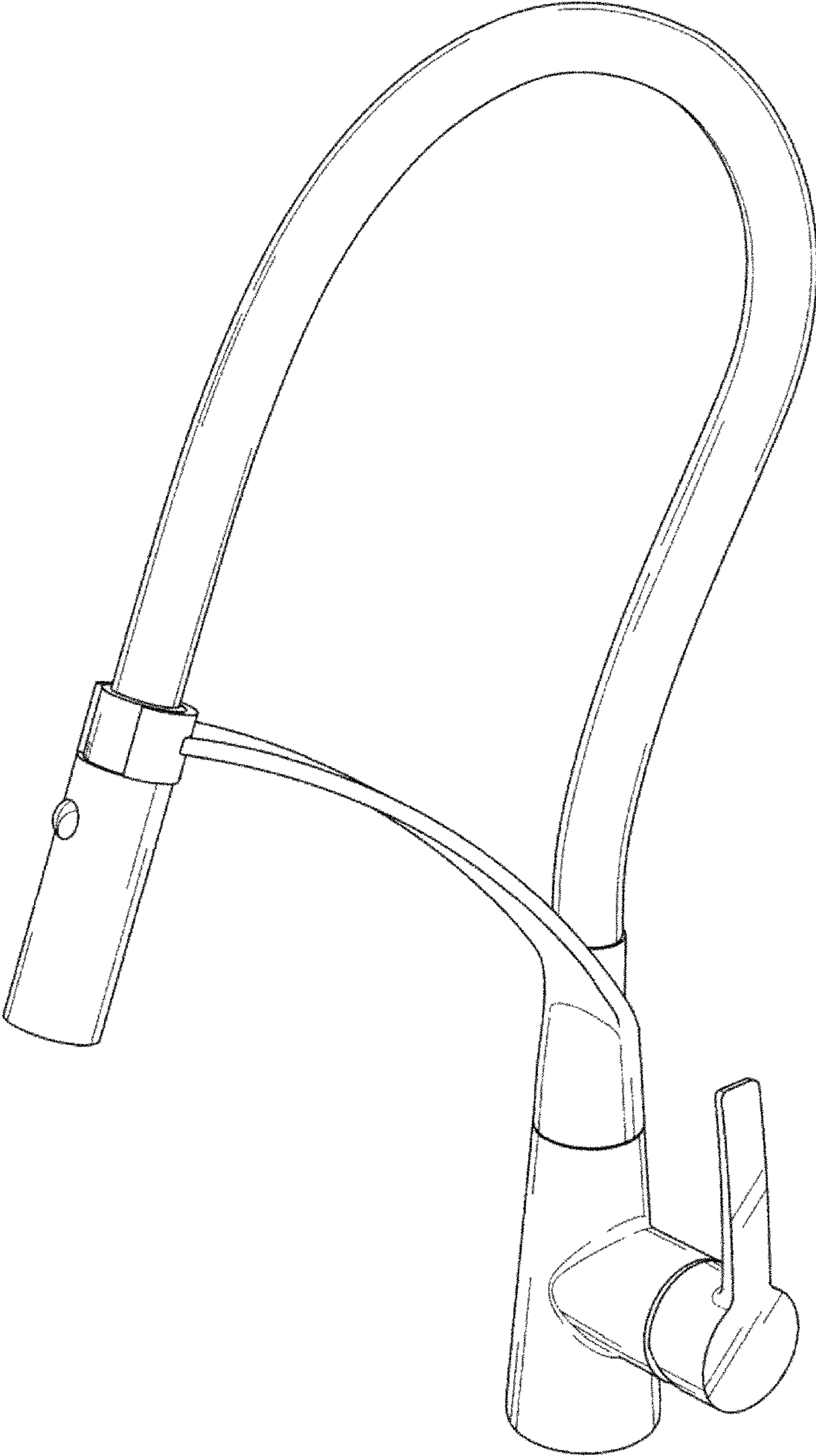


Fig.1

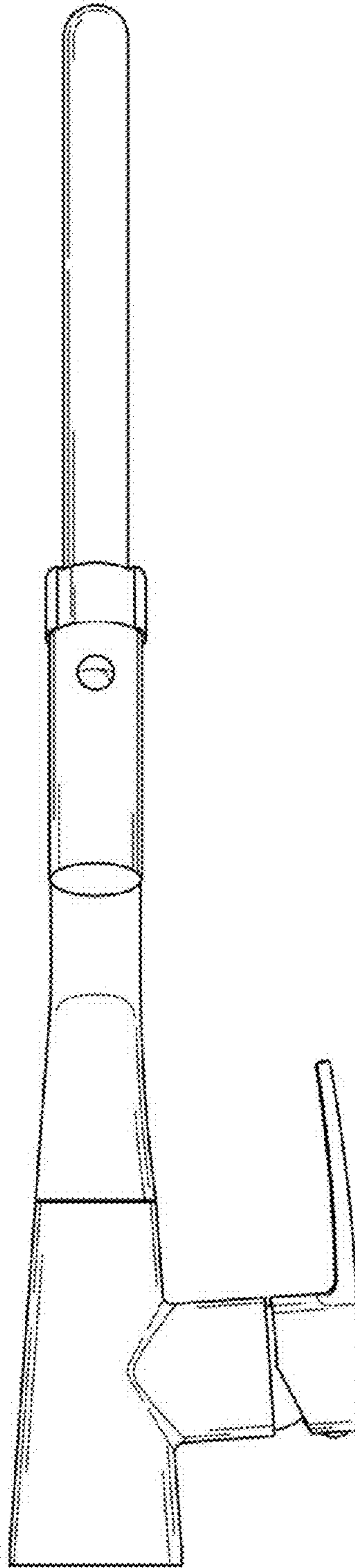


Fig.2

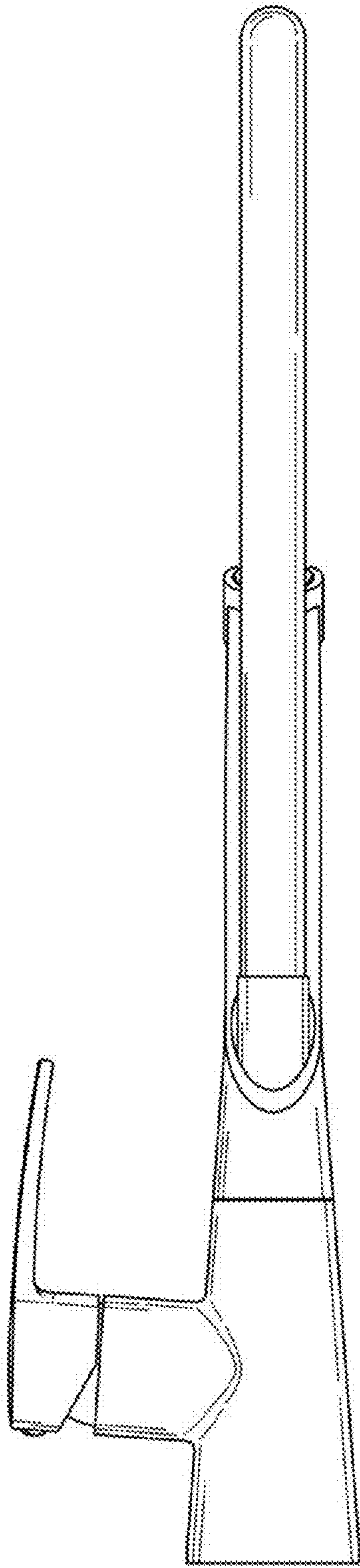


Fig. 3

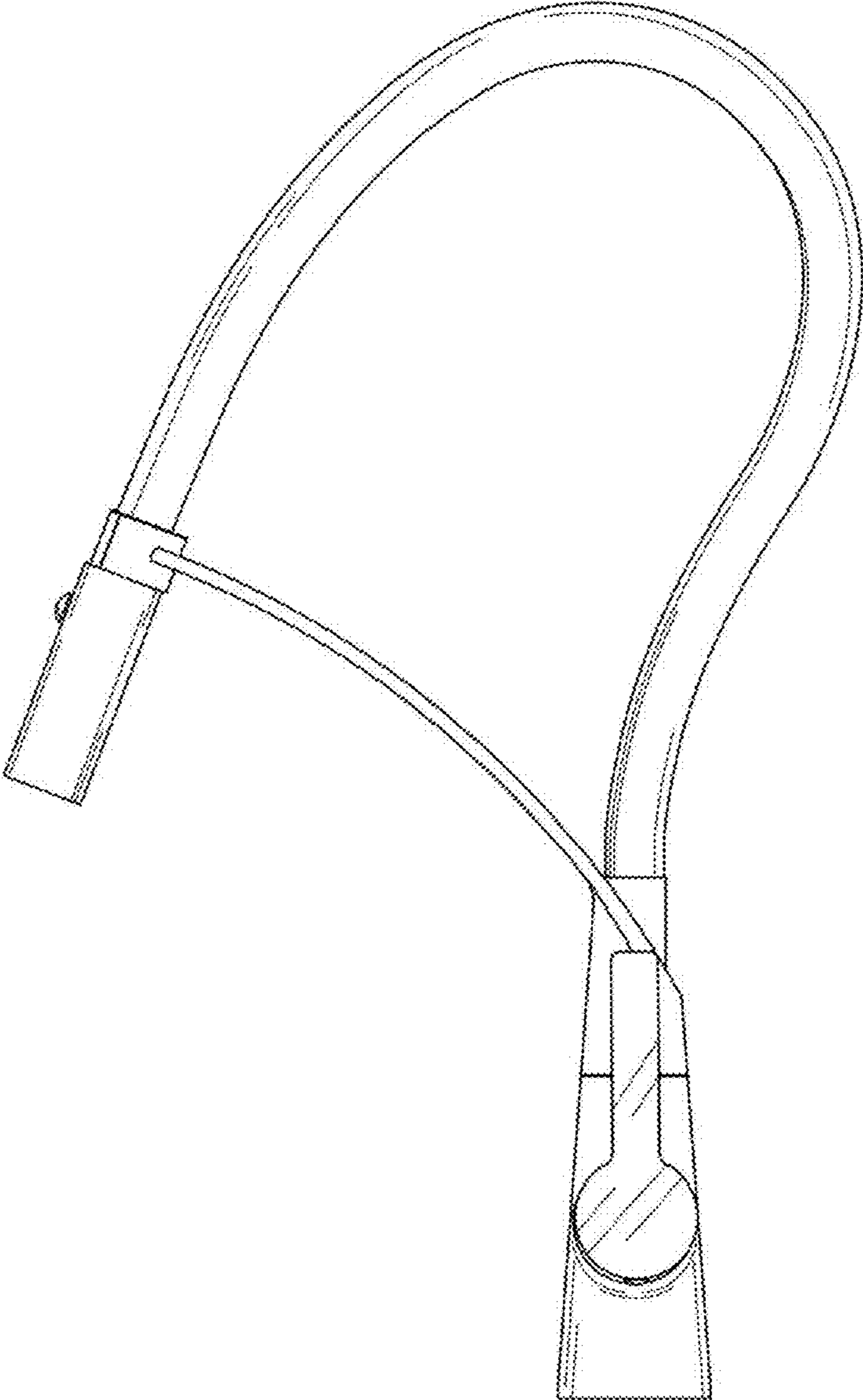


Fig.4

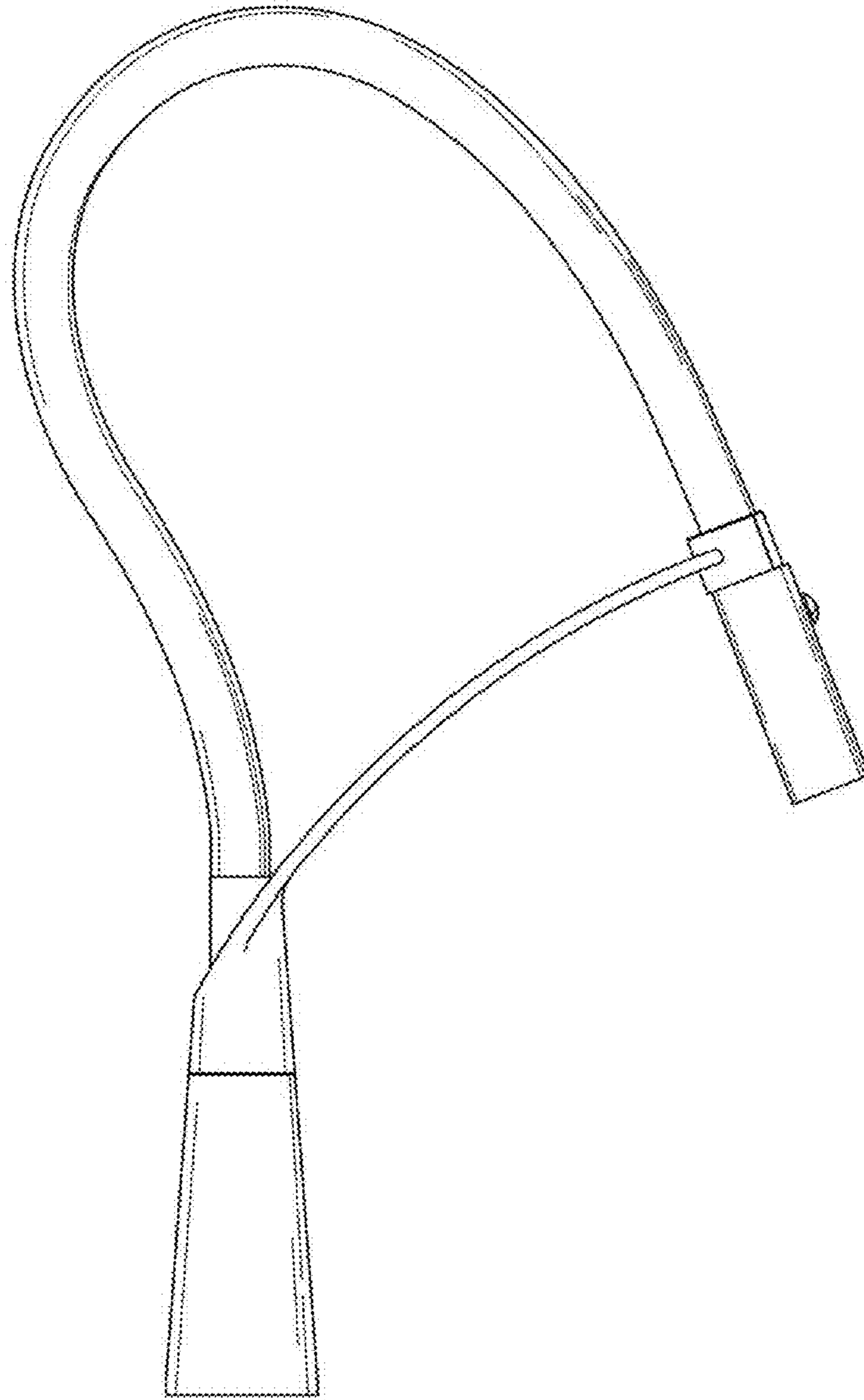


Fig. 5

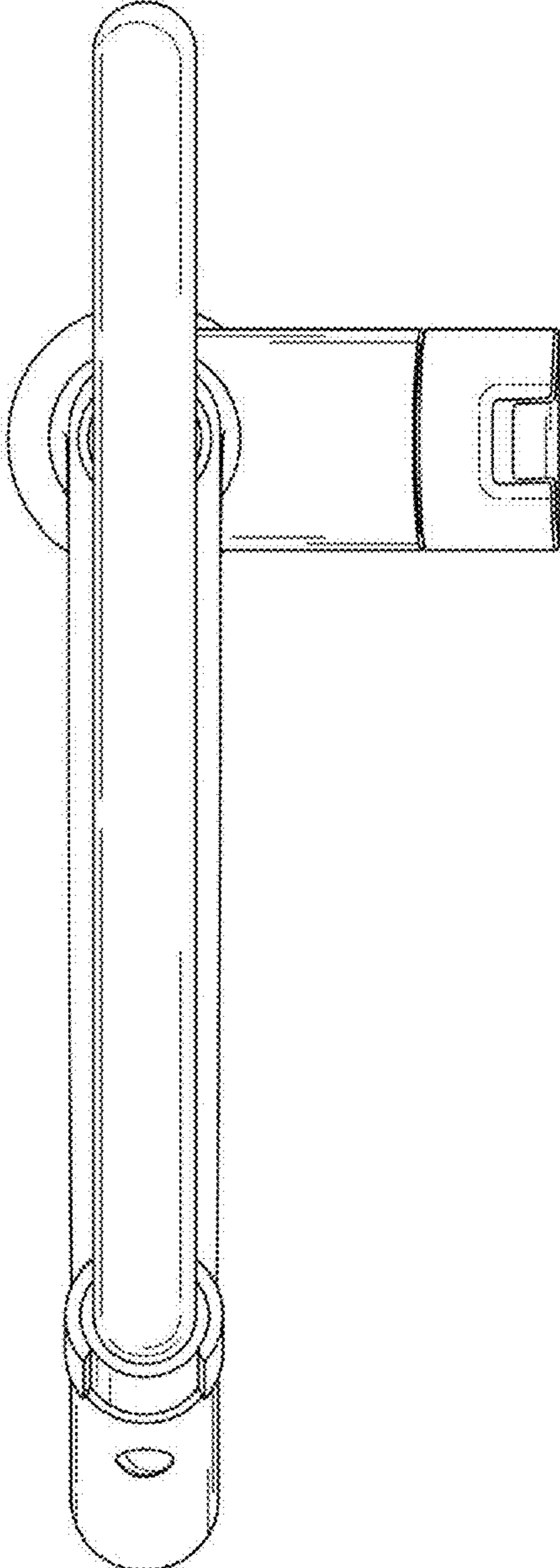


Fig.6