



US00D708711S

(12) **United States Design Patent**
Yu

(10) **Patent No.:** **US D708,711 S**
(45) **Date of Patent:** **** Jul. 8, 2014**

(54) **FAUCET**

(71) Applicant: **Yatin Bath Corporation**, Hangzhou (CN)

(72) Inventor: **Guang Yu**, Hangzhou (CN)

(73) Assignee: **Yatin Bath Corporation**, Hangzhou (CN)

(**) Term: **14 Years**

(21) Appl. No.: **29/467,404**

(22) Filed: **Sep. 18, 2013**

(51) **LOC (10) Cl.** **23-01**

(52) **U.S. Cl.**
USPC **D23/238**

(58) **Field of Classification Search**
USPC D23/238–243, 249, 250, 252–253, 255,
D23/257; 4/675–678; 137/801
See application file for complete search history.

(56) **References Cited**

U.S. PATENT DOCUMENTS

D300,942 S * 5/1989 Paul D23/242
D301,056 S * 5/1989 Paul D23/242

D315,398 S * 3/1991 Strignano D23/241
D318,320 S * 7/1991 Zerlia D23/241
D580,524 S * 11/2008 Starck D23/254
D662,187 S * 6/2012 Sieger D23/238
D664,240 S * 7/2012 Tang D23/238

* cited by examiner

Primary Examiner — Robert Delehanty

(74) *Attorney, Agent, or Firm* — Jacobson Holman, PLLC.;
Jiwen Chen

(57) **CLAIM**

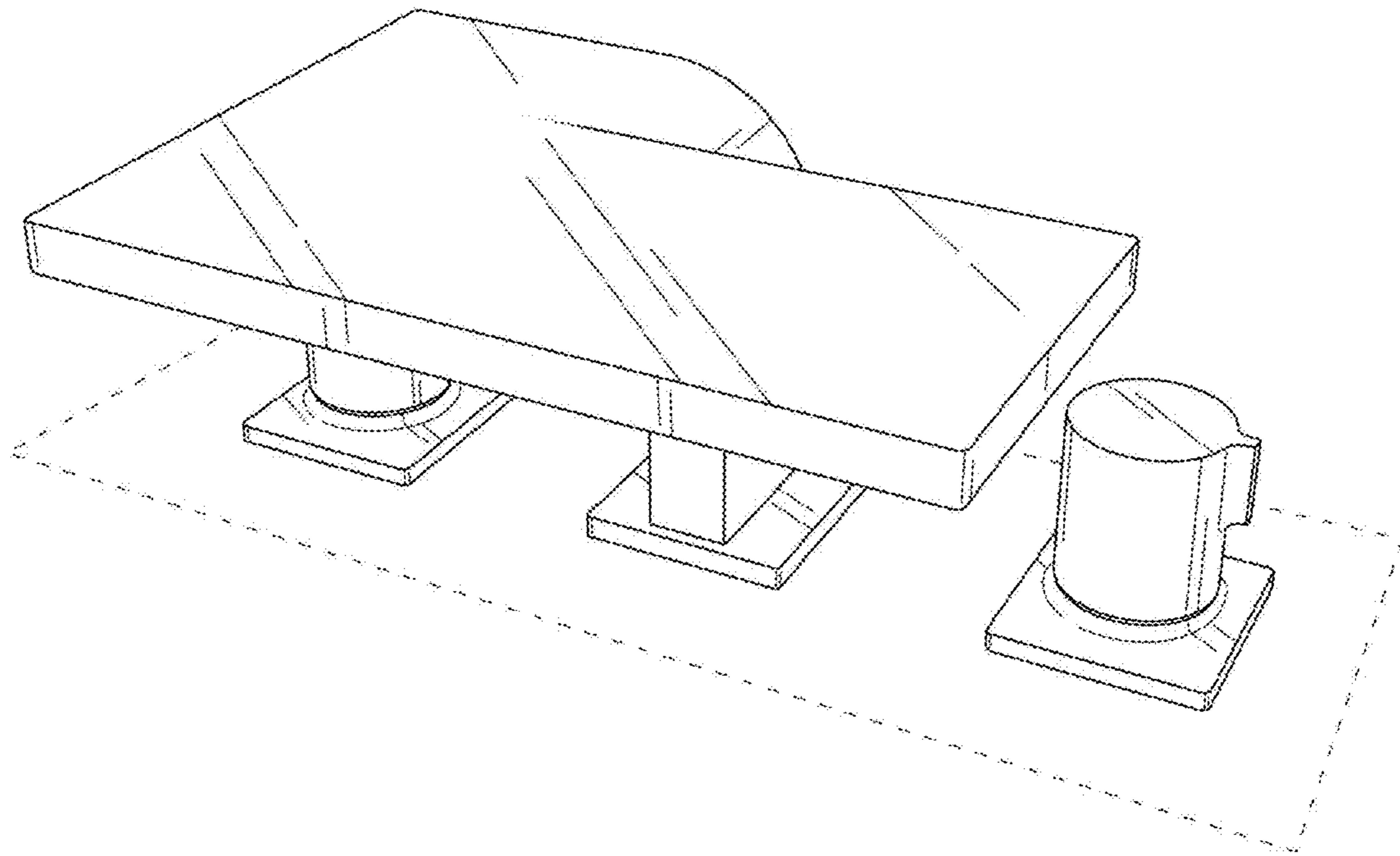
The ornamental design for the faucet, as shown and described.

DESCRIPTION

FIG. 1 is a perspective view of the faucet showing the design;
FIG. 2 is a front elevational view thereof;
FIG. 3 is a rear elevational view thereof;
FIG. 4 is a left side elevational view thereof;
FIG. 5 is a right side elevational view thereof; and,
FIG. 6 is a top plan view thereof.

The broken lines in the drawing show the environmental structure that forms no part of the design to be patented.

1 Claim, 6 Drawing Sheets



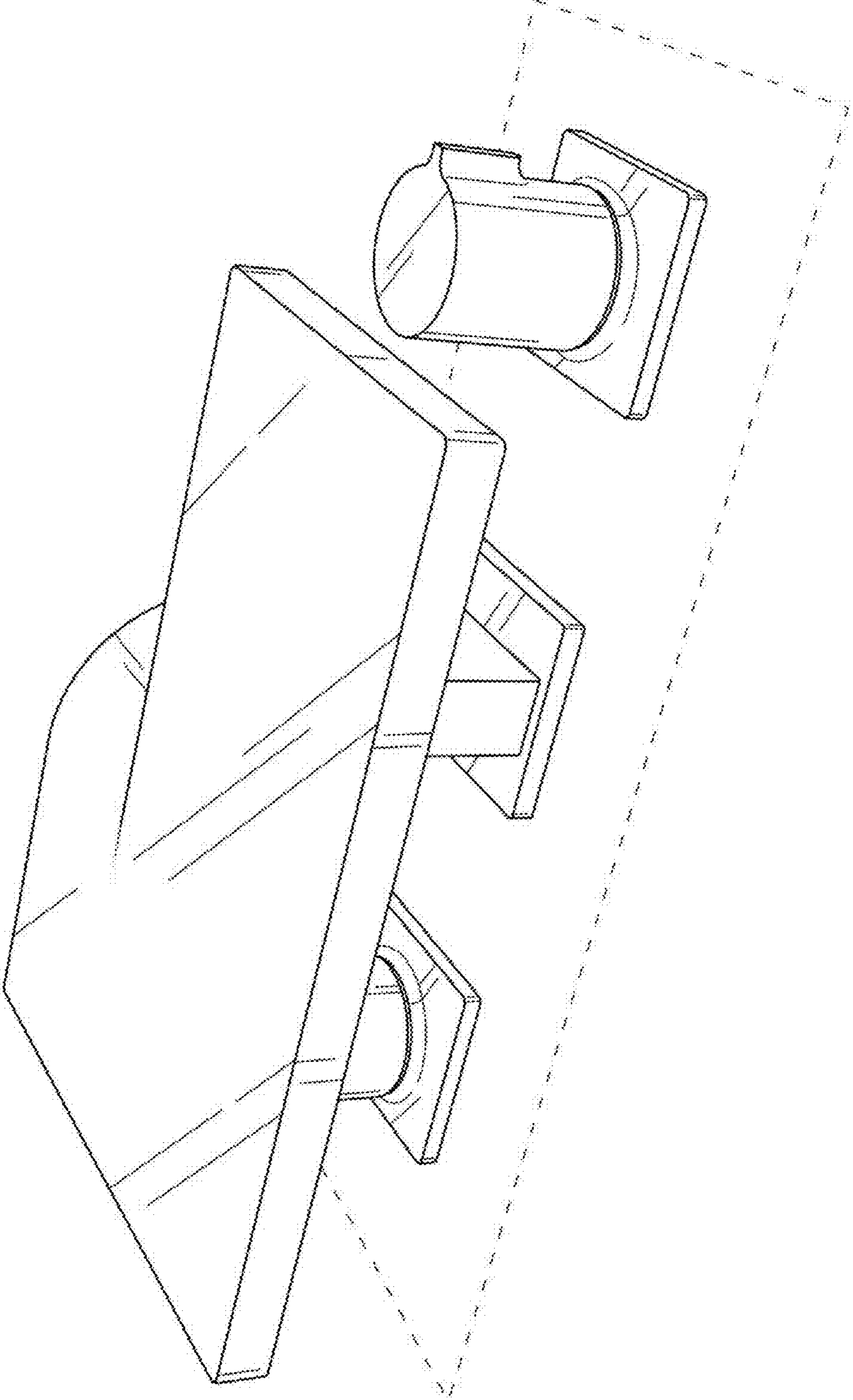


FIG. 1

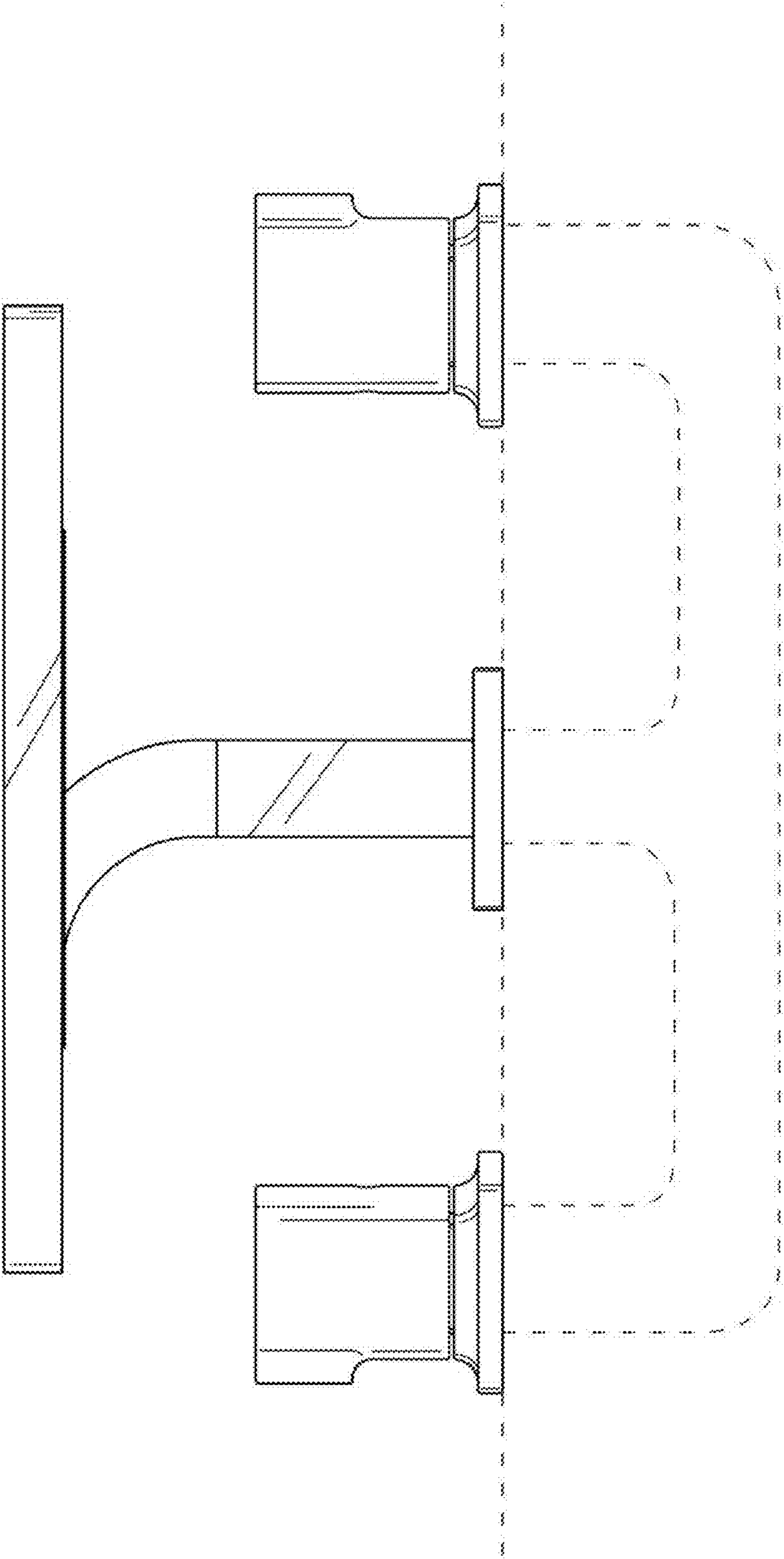


FIG. 2

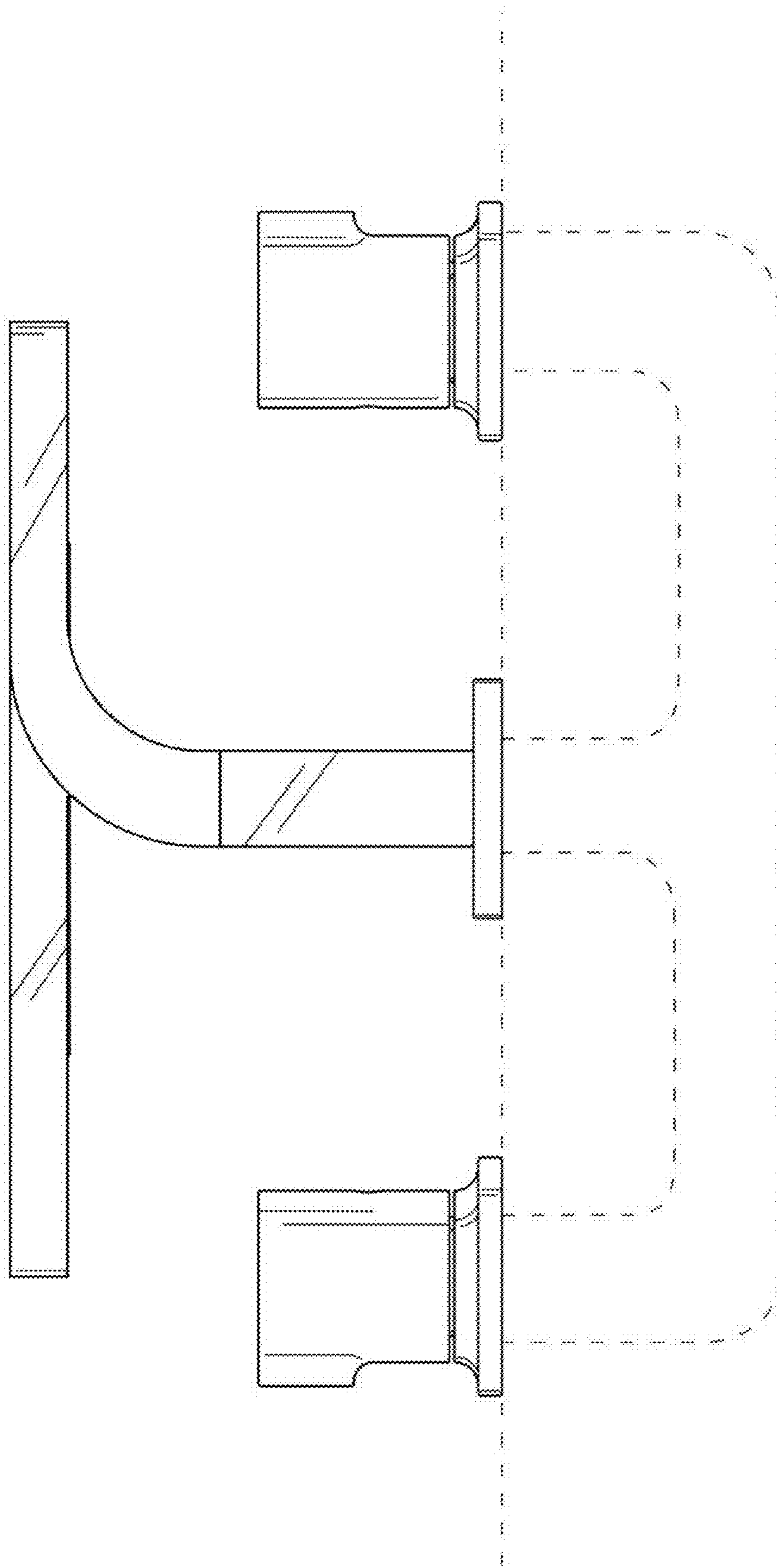


FIG. 3

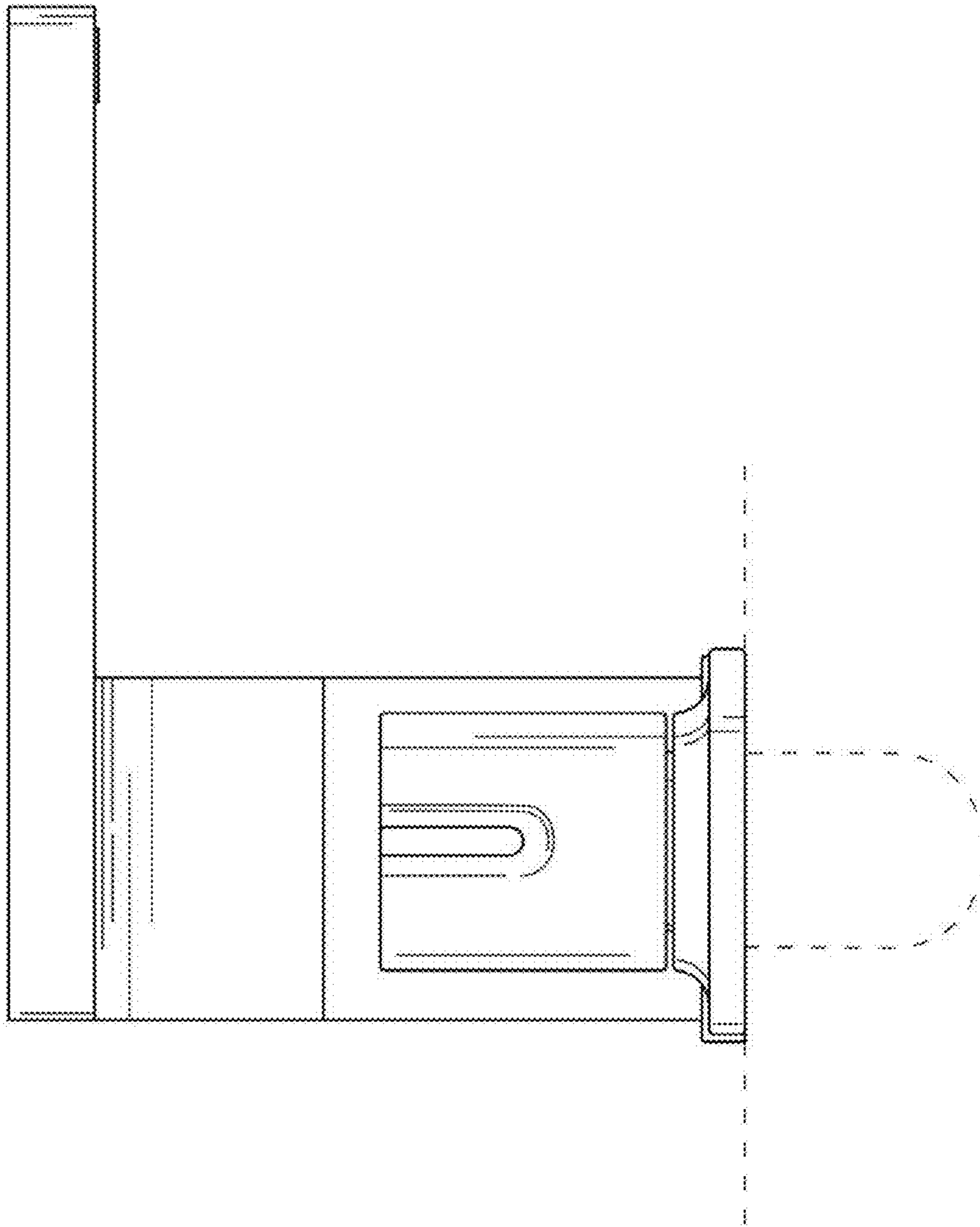


FIG. 4

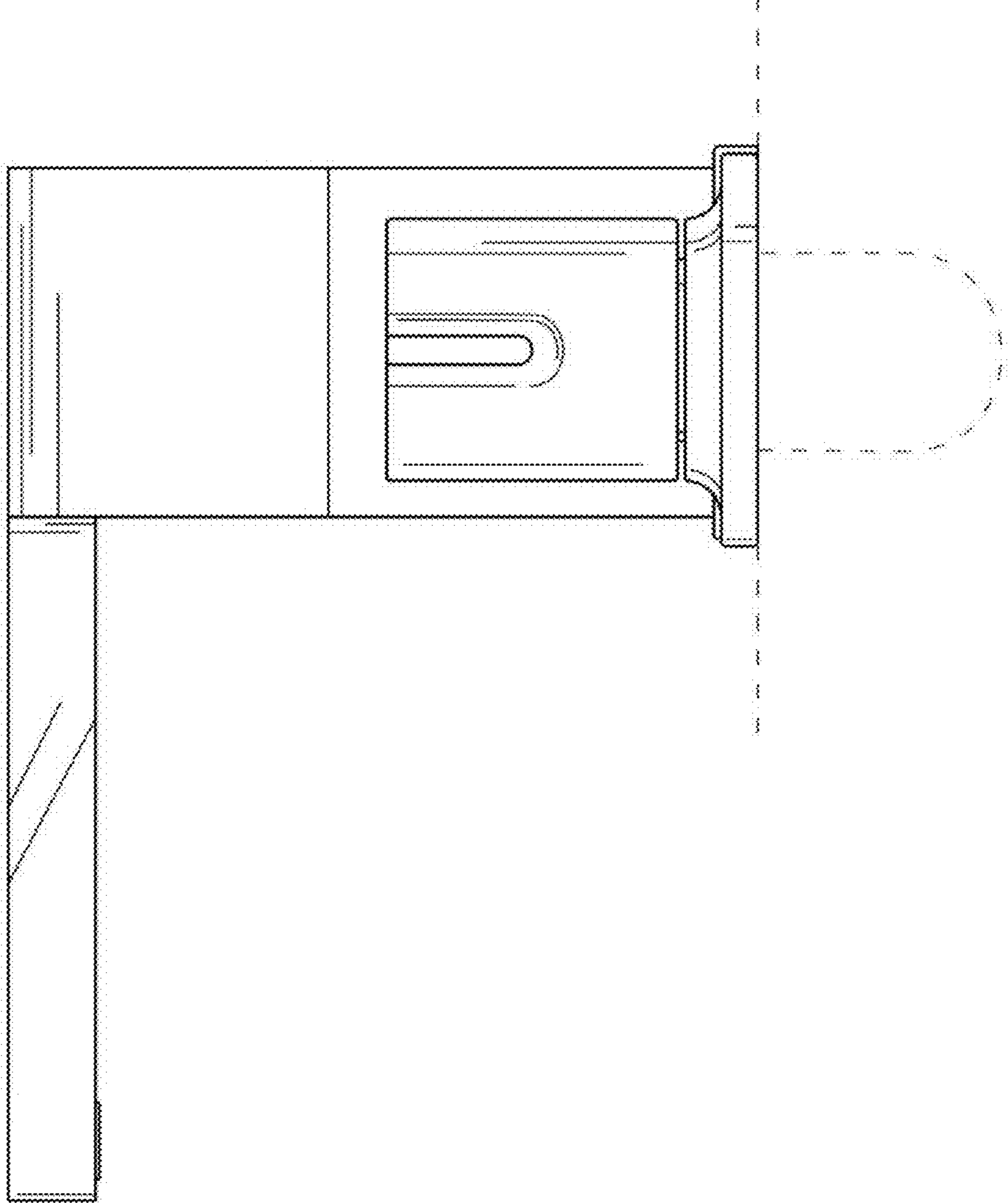


FIG. 5

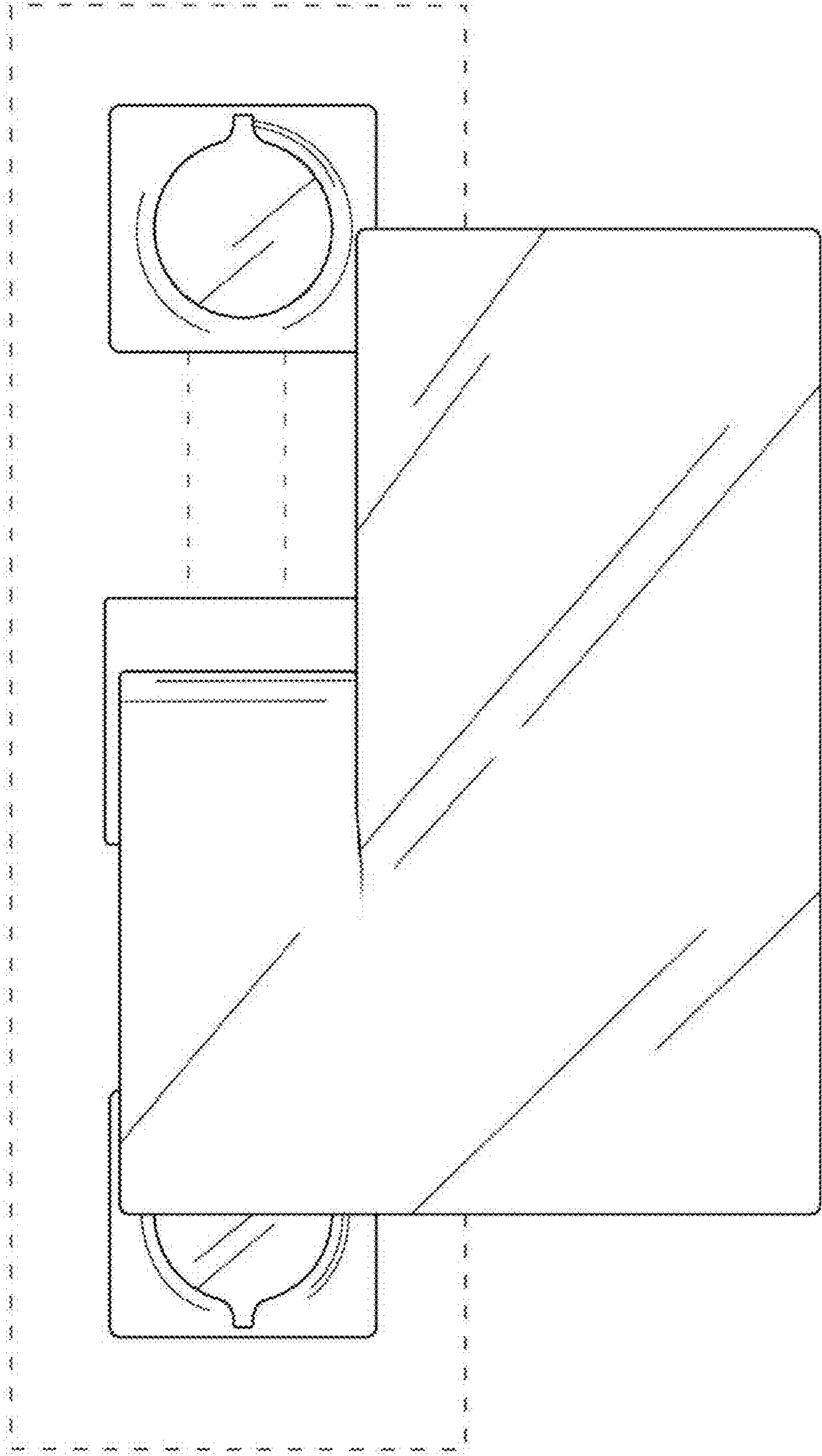


FIG. 6