



US00D708709S

(12) **United States Design Patent**
Yu

(10) **Patent No.:** **US D708,709 S**
(45) **Date of Patent:** **** Jul. 8, 2014**

(54) **FAUCET**

(71) Applicant: **Yatin Bath Corporation**, Hangzhou (CN)

(72) Inventor: **Guang Yu**, Hangzhou (CN)

(73) Assignee: **Yatin Bath Corporation**, Hangzhou (CN)

(**) Term: **14 Years**

(21) Appl. No.: **29/467,391**

(22) Filed: **Sep. 18, 2013**

(51) **LOC (10) Cl.** **23-01**

(52) **U.S. Cl.**
USPC **D23/238**

(58) **Field of Classification Search**
USPC D23/238–243, 249, 250, 252–253, 255,
D23/257; 4/675–678; 137/801

See application file for complete search history.

(56) **References Cited**

U.S. PATENT DOCUMENTS

D511,201 S *	11/2005	Kulig et al.	D23/238
D525,680 S *	7/2006	Schaffeld et al.	D23/255
D596,711 S *	7/2009	Sieger	D23/238
D659,798 S *	5/2012	Flowers et al.	D23/238
D664,629 S *	7/2012	Tang	D23/238

* cited by examiner

Primary Examiner — Robert Delehanty

(74) *Attorney, Agent, or Firm* — Jacobson Holman, PLLC.;
Jiwen Chen

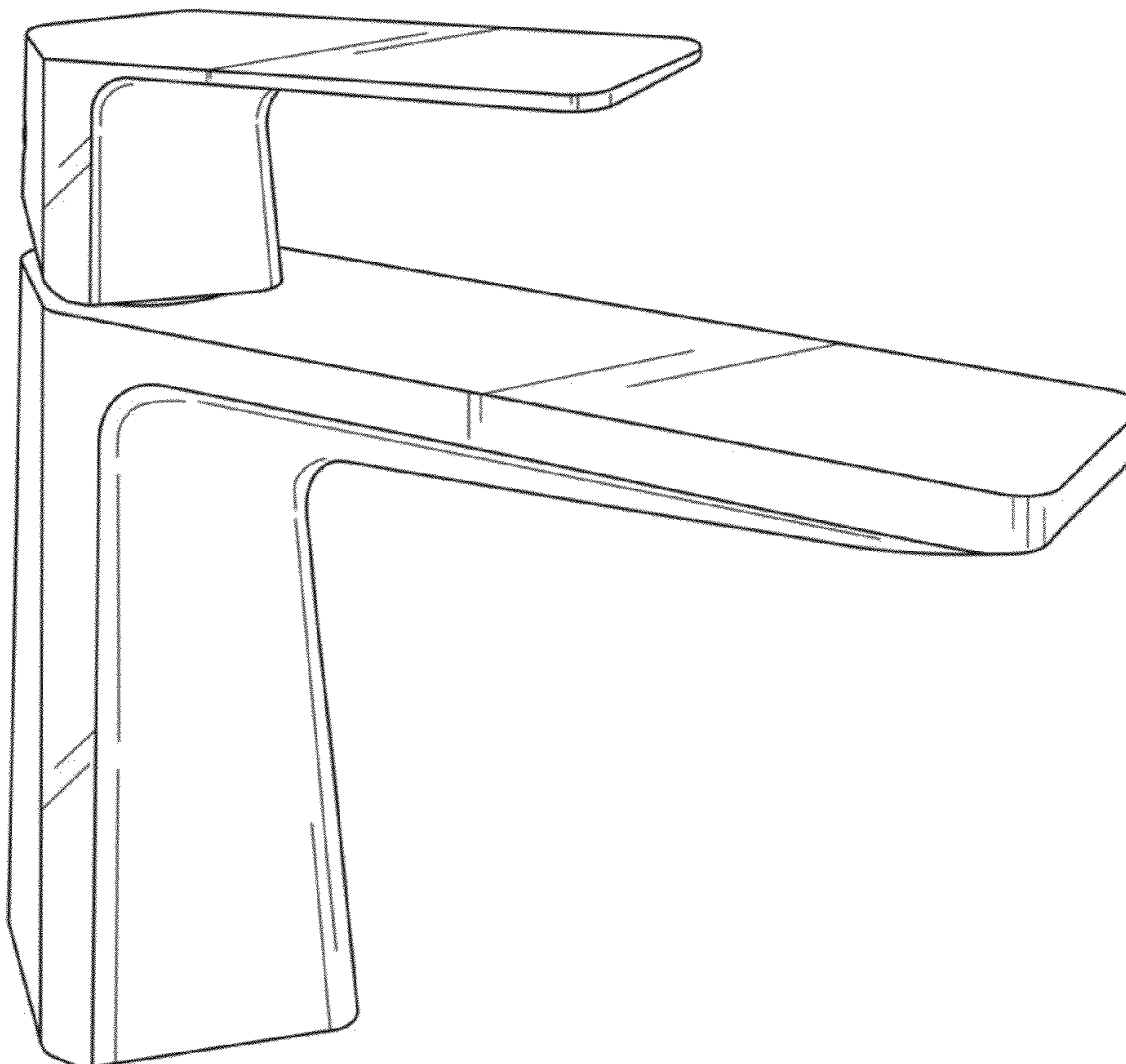
(57) **CLAIM**

The ornamental design for the faucet, as shown and described.

DESCRIPTION

FIG. 1 is a perspective view of the faucet showing the design; FIG. 2 is a front elevational view thereof; FIG. 3 is a rear elevational view thereof; FIG. 4 is a right side elevational view thereof; the left side being a mirror image of the right side; and, FIG. 5 is a top plan view thereof.

1 Claim, 5 Drawing Sheets



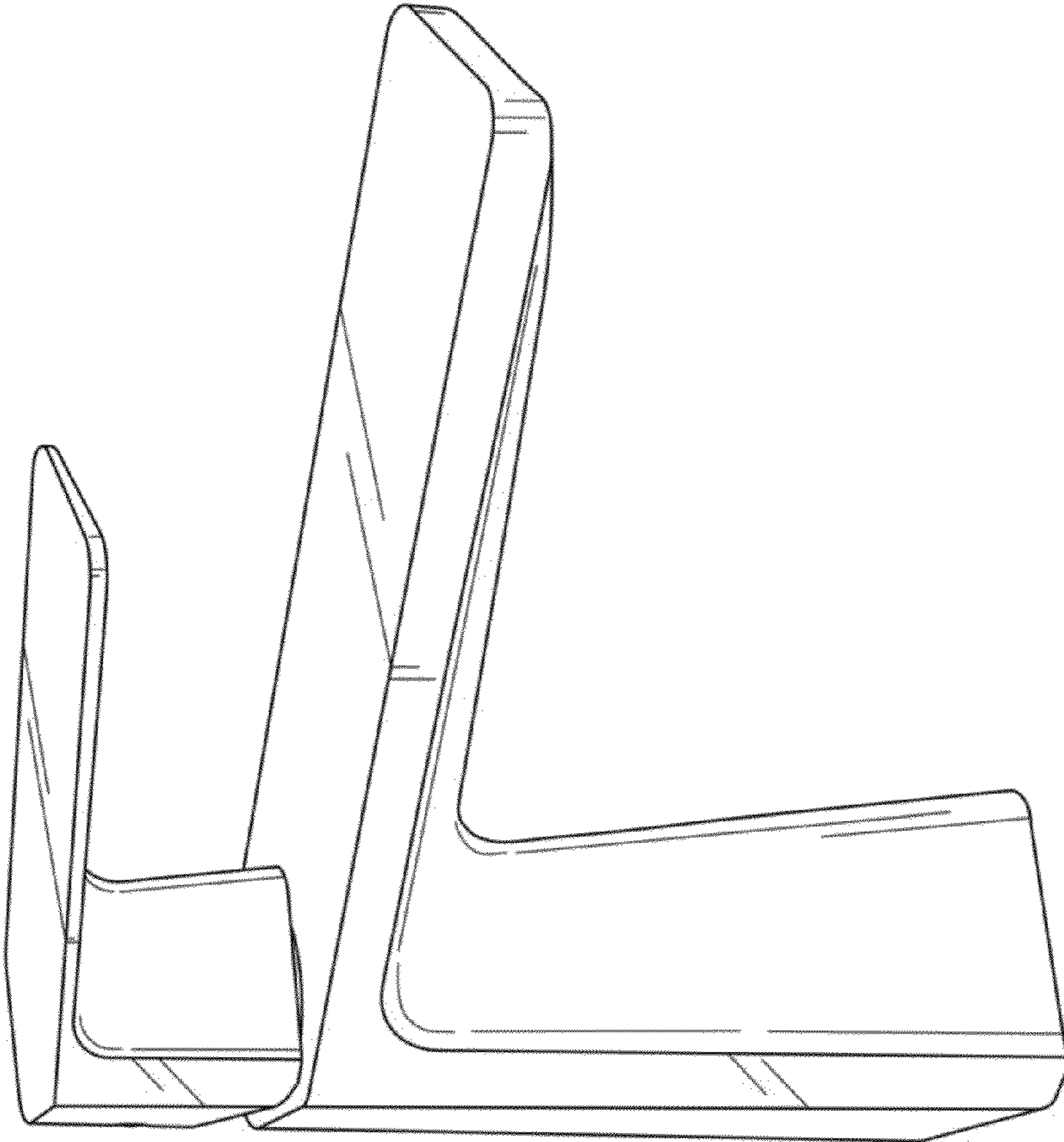


FIG. 1

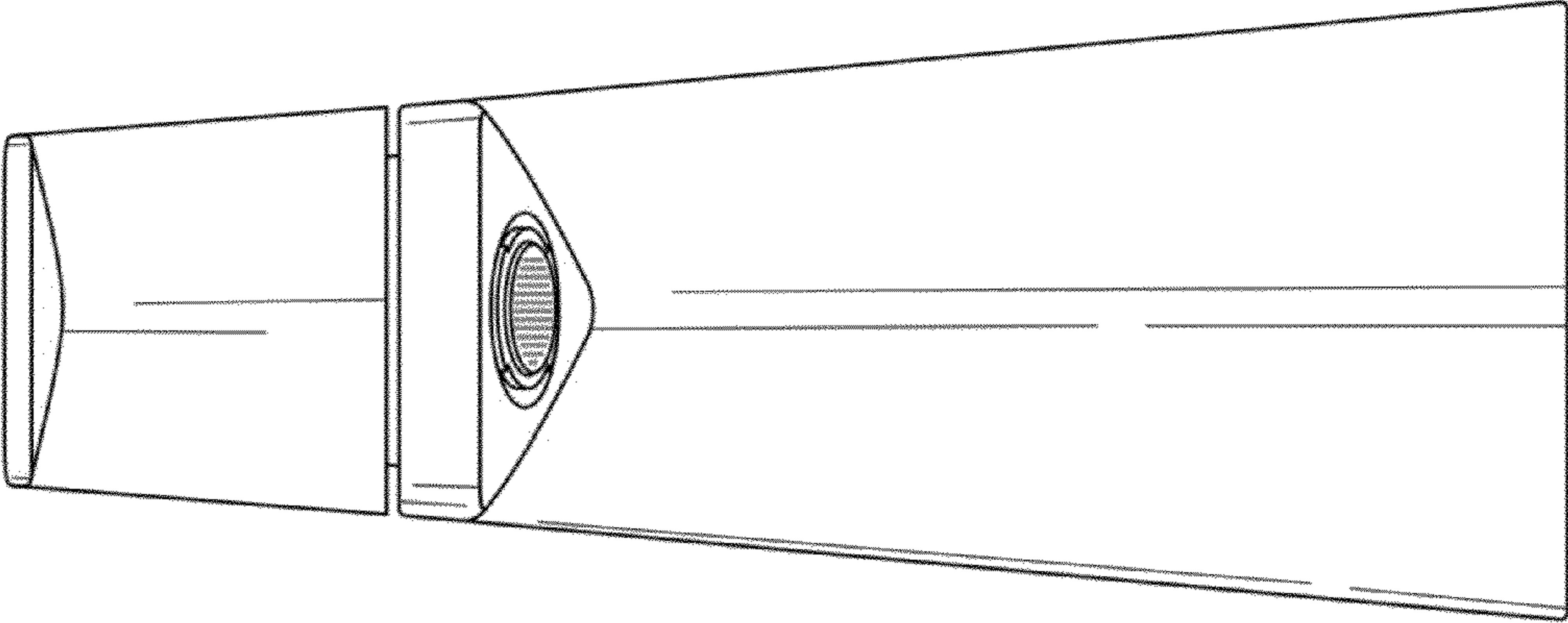


FIG. 2

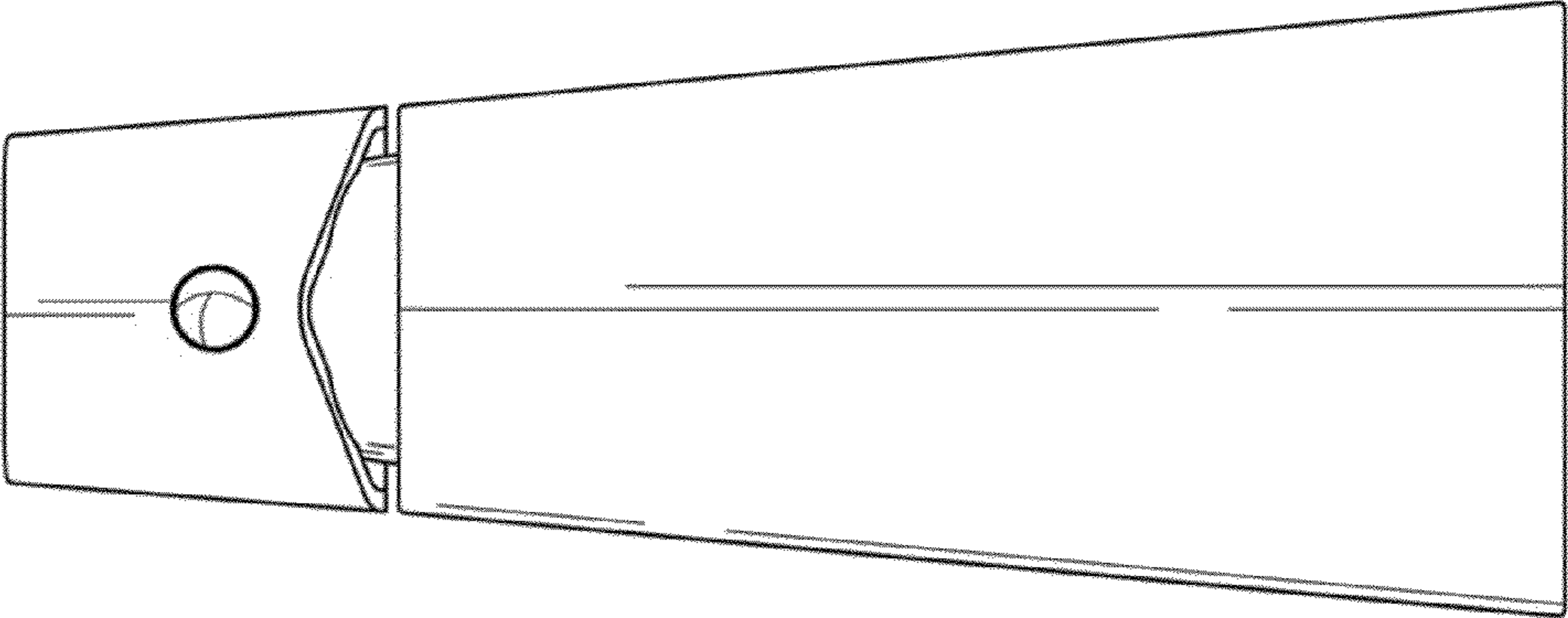


FIG. 3

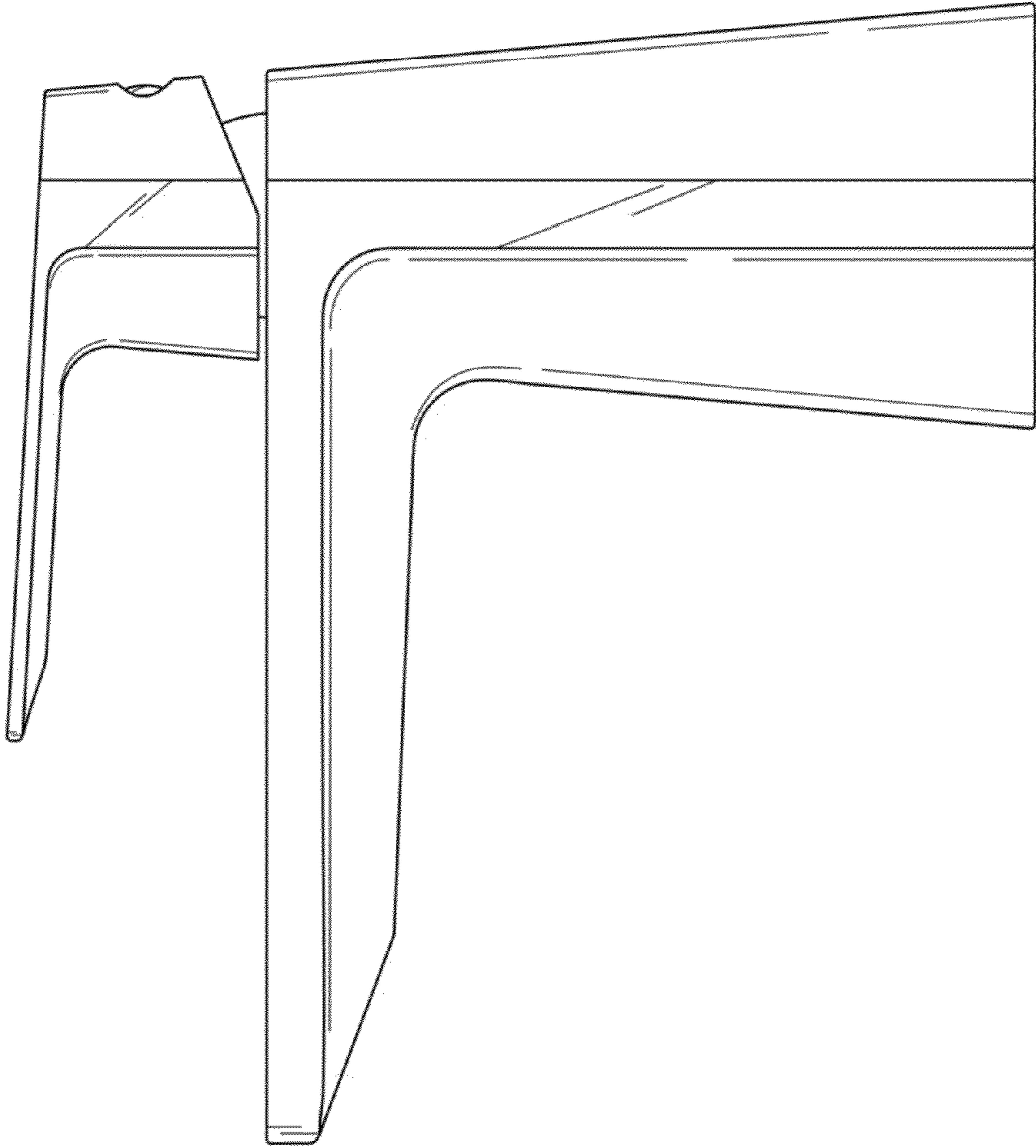


FIG. 4

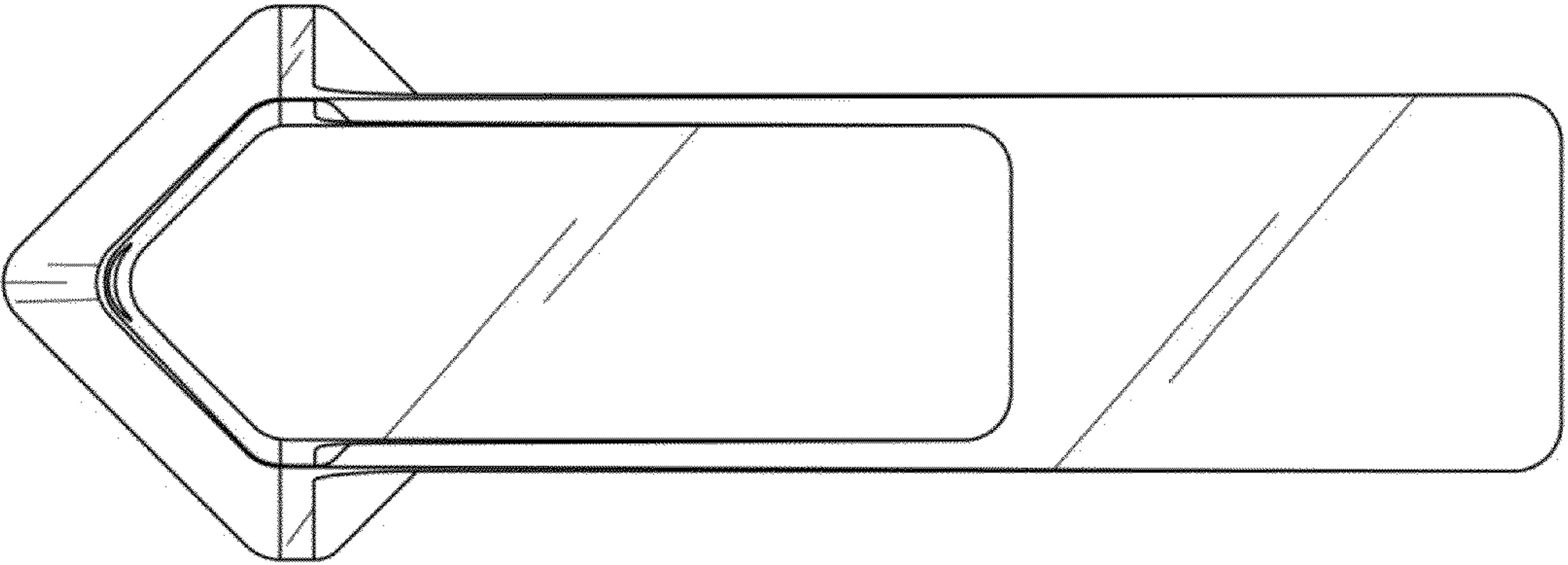


FIG. 5