



US00D708708S

(12) **United States Design Patent**
Harvell

(10) **Patent No.:** **US D708,708 S**

(45) **Date of Patent:** **** Jul. 8, 2014**

(54) **CHECK VALVE**

(71) Applicant: **Michael Lee Harvell**, High Point, NC
(US)

(72) Inventor: **Michael Lee Harvell**, High Point, NC
(US)

(**) Term: **14 Years**

(21) Appl. No.: **29/454,039**

(22) Filed: **May 6, 2013**

(51) **LOC (10) Cl.** **23-01**

(52) **U.S. Cl.**
USPC **D23/233**

(58) **Field of Classification Search**
USPC D23/233–237, 244–249; 137/844, 853,
137/883, 843, 356

See application file for complete search history.

(56) **References Cited**

U.S. PATENT DOCUMENTS

D102,190	S	*	12/1936	McCowan	D23/247
2,783,324	A	*	2/1957	Brown et al.	200/83 V
D221,076	S	*	7/1971	Schartzman	D23/249
D222,540	S	*	11/1971	Campbell	D23/247
D269,633	S	*	7/1983	Willinger et al.	D23/237
4,607,659	A	*	8/1986	Cole	137/454.2
4,823,969	A		4/1989	Caldwell	215/260
4,838,324	A		6/1989	Boyd	141/64
5,282,495	A		2/1994	Chamberlain	141/4
D368,299	S	*	3/1996	Ratledge	D23/235
D370,963	S	*	6/1996	Daansen	D23/235

5,586,588	A		12/1996	Knox	141/285
5,792,391	A		8/1998	Vogel et al.	261/121.2
5,921,418	A		7/1999	Pugh	215/247
D615,161	S	*	5/2010	Gerson et al.	D23/249
D644,717	S	*	9/2011	Larkin et al.	D23/237
8,191,734	B2		6/2012	Lupfer	222/5
8,323,713	B1		12/2012	Selman	426/477
2006/0186076	A1		8/2006	Shiloni	215/229

OTHER PUBLICATIONS

FizzGiz, carbonatedsodamaker.com, "At-Home Soda Maker Makes a Fun Gift" Oct. 18, 2011.

Vernay, vernay.com/Markets/Specialty-Consumer/Product-Categories Combination Valves copyright 2013.

* cited by examiner

Primary Examiner — Cynthia Ramirez

(74) *Attorney, Agent, or Firm* — MacCord Mason PLLC

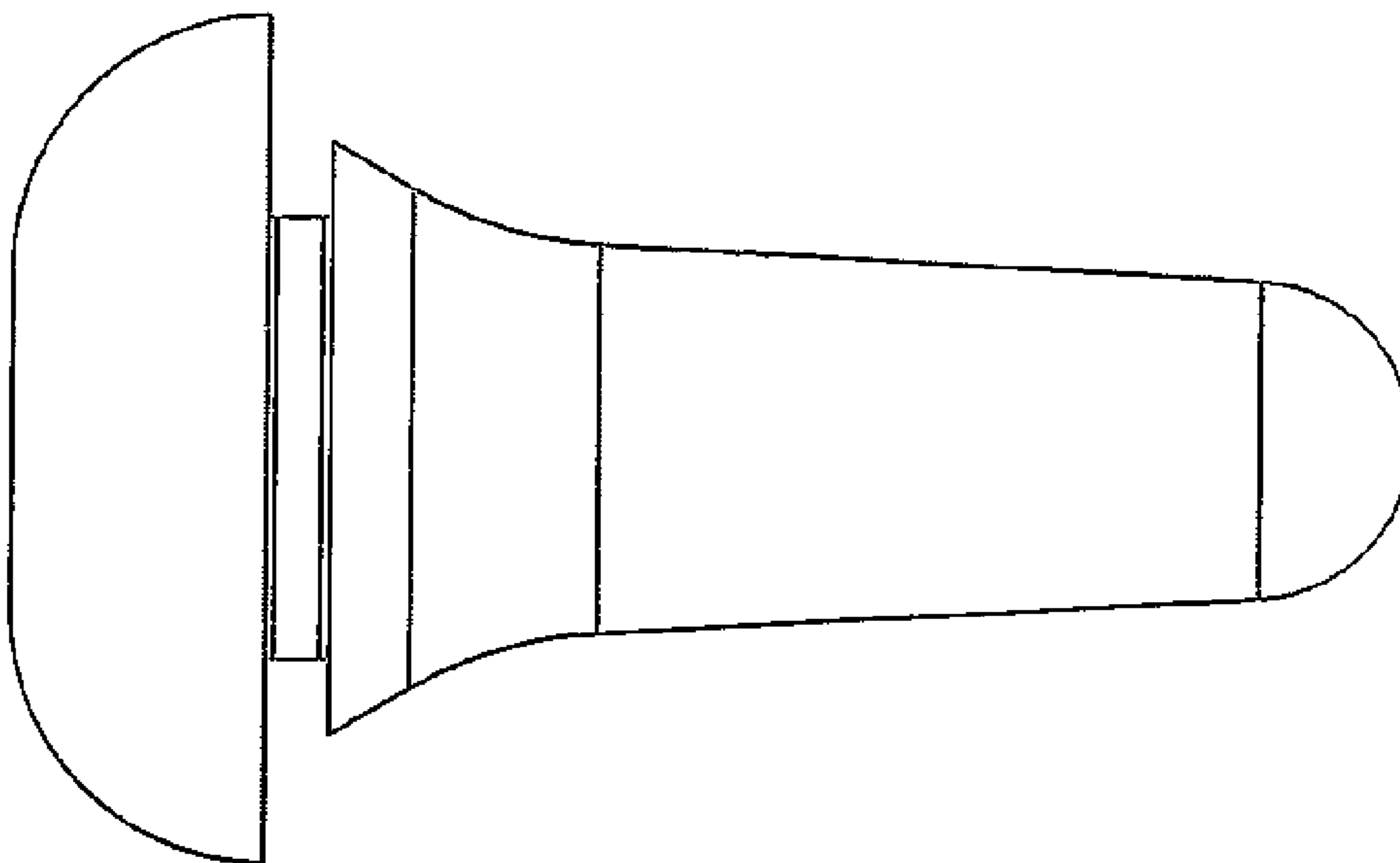
(57) **CLAIM**

The ornamental design for a check valve, as shown and described.

DESCRIPTION

FIG. 1 is a side view of a check valve showing my new design; the design being radially symmetrical, all side views are the same;
FIG. 2 is a lower perspective view thereof;
FIG. 3 is an upper perspective view thereof;
FIG. 4 is a top view thereof; and,
FIG. 5 is a bottom view.

1 Claim, 3 Drawing Sheets



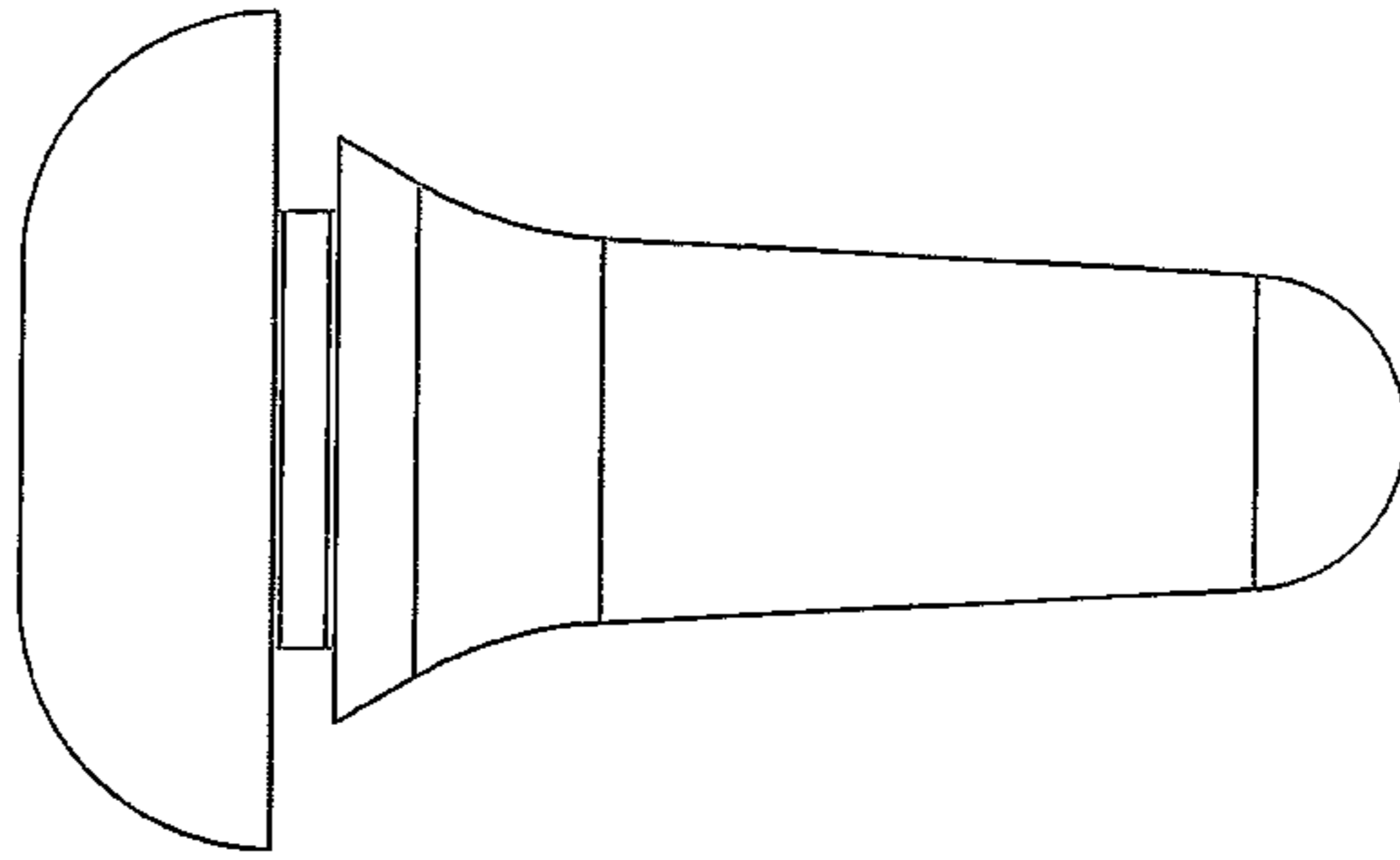


Figure 1

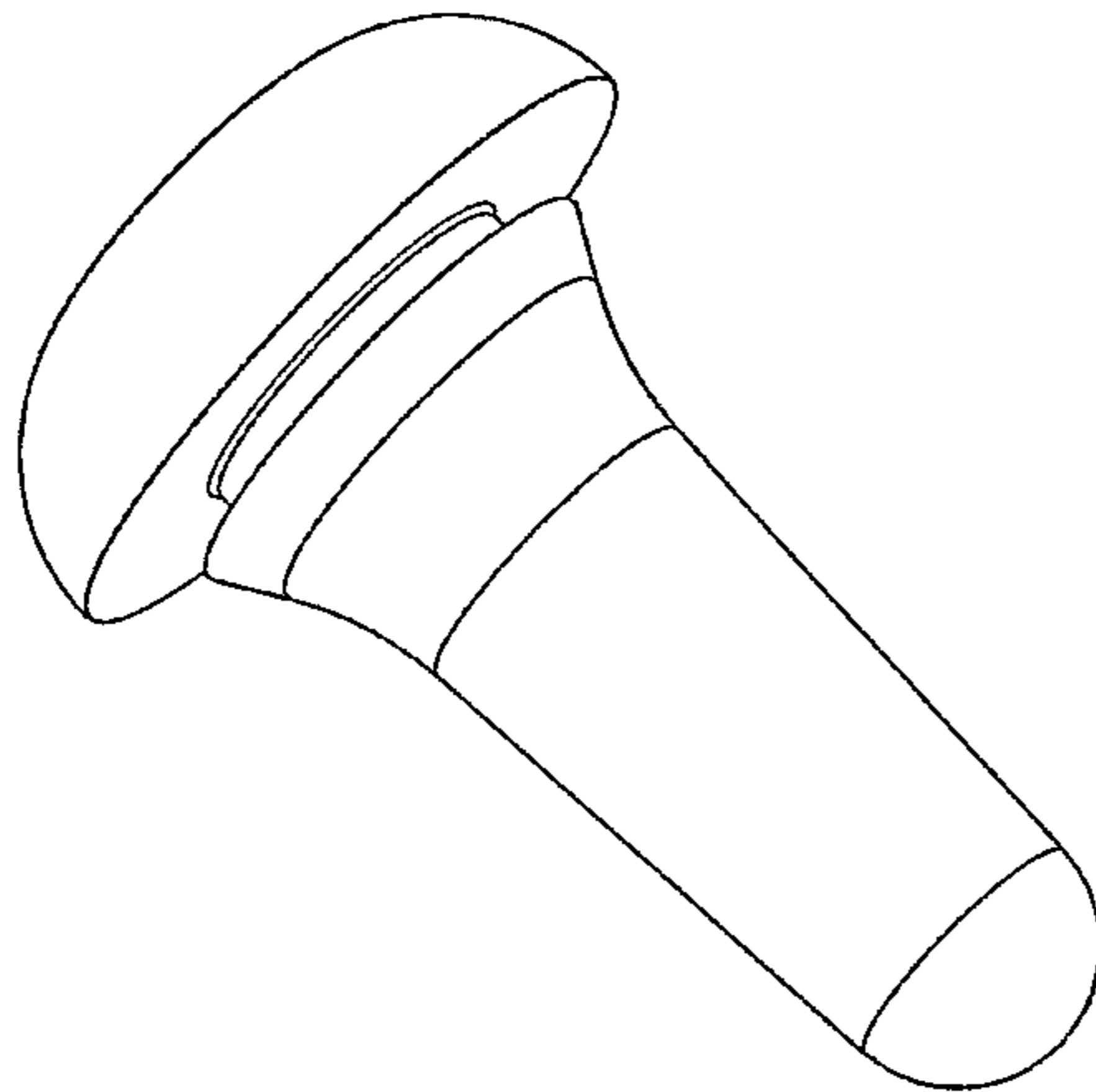


Figure 2

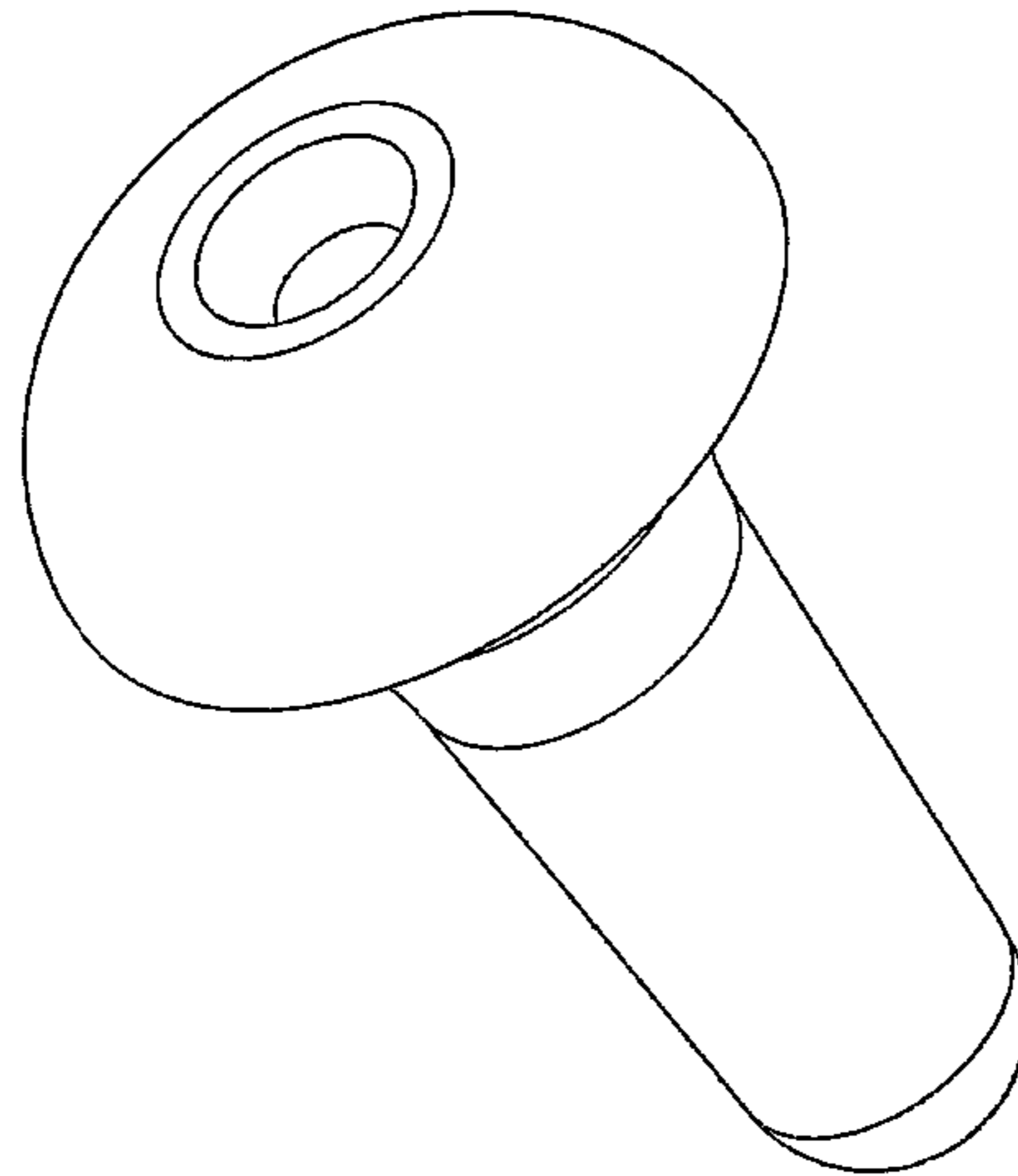


Figure 3

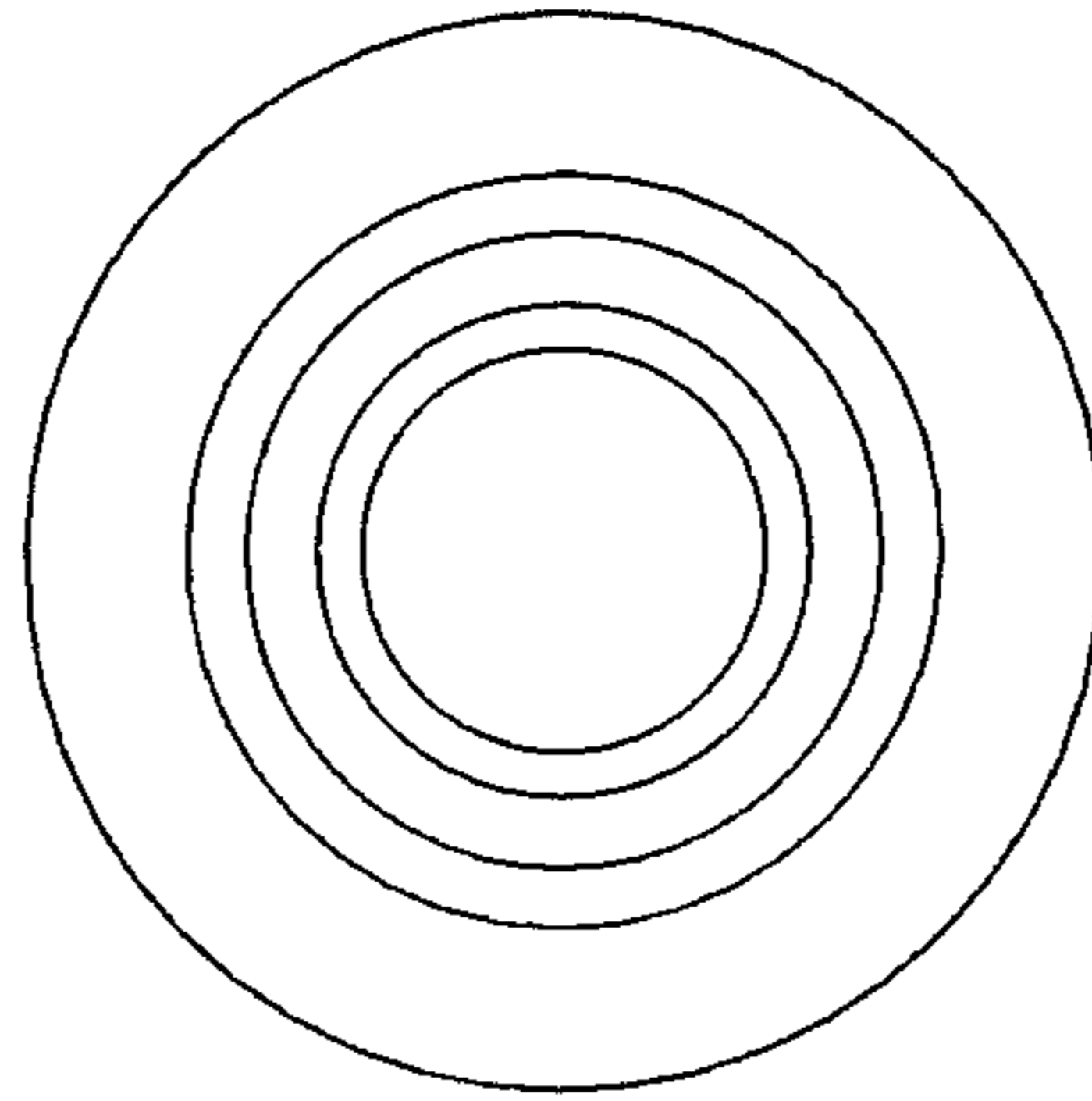


Figure 4

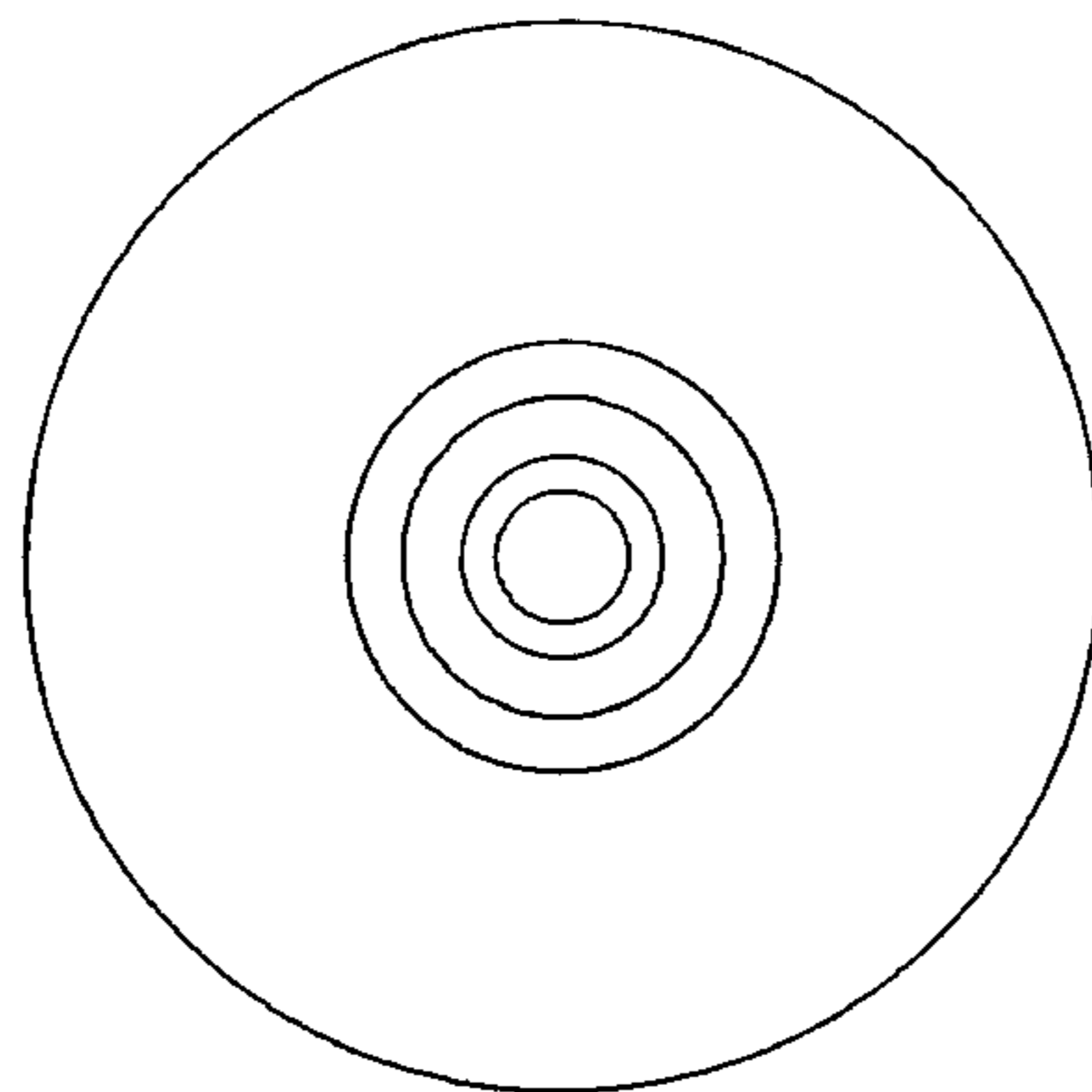


Figure 5