



US00D708707S

(12) **United States Design Patent**
Matsumura

(10) **Patent No.:** **US D708,707 S**

(45) **Date of Patent:** **** Jul. 8, 2014**

(54) **ELECTROMAGNETIC VALVE**

(56) **References Cited**

(71) Applicant: **SMC Corporation**, Chiyoda-ku (JP)

U.S. PATENT DOCUMENTS

(72) Inventor: **Kenichi Matsumura**, Kashiwa (JP)

D636,460 S * 4/2011 Hayashi D23/233

D653,307 S * 1/2012 Senba D23/233

D653,308 S * 1/2012 Senba D23/233

D698,899 S * 2/2014 Narita D23/233

(73) Assignee: **SMC Corporation**, Chiyoda-ku (JP)

* cited by examiner

(**) Term: **14 Years**

Primary Examiner — Cynthia Ramirez

(21) Appl. No.: **29/452,496**

(74) *Attorney, Agent, or Firm* — Oblon, Spivak,
McClelland, Maier & Neustadt, L.L.P.

(22) Filed: **Apr. 17, 2013**

(57) **CLAIM**

The ornamental design for an electromagnetic valve, as shown and described.

(30) **Foreign Application Priority Data**

DESCRIPTION

Dec. 19, 2012 (JP) 2012-030917

(51) **LOC (10) Cl.** **23-01**

(52) **U.S. Cl.**

USPC **D23/233**

(58) **Field of Classification Search**

USPC D23/233-237, 244-249; 137/554, 557,

137/560, 882, 884, 269, 271, 343, 625.64;

251/15, 129.04, 130, 219, 331, 596.16,

251/597.13, 30.01

FIG. 1 is a front, top, and right side perspective view of an electromagnetic valve;

FIG. 2 is a rear, bottom, and left side perspective view thereof;

FIG. 3 is a front elevational view thereof;

FIG. 4 is a rear elevational view thereof;

FIG. 5 is a top plan view thereof;

FIG. 6 is a bottom plan view thereof;

FIG. 7 is a left side elevational view thereof; and,

FIG. 8 is a right side elevational view thereof.

The broken lines in the drawings depict environmental subject matter only and form no part of the claimed design.

See application file for complete search history.

1 Claim, 3 Drawing Sheets

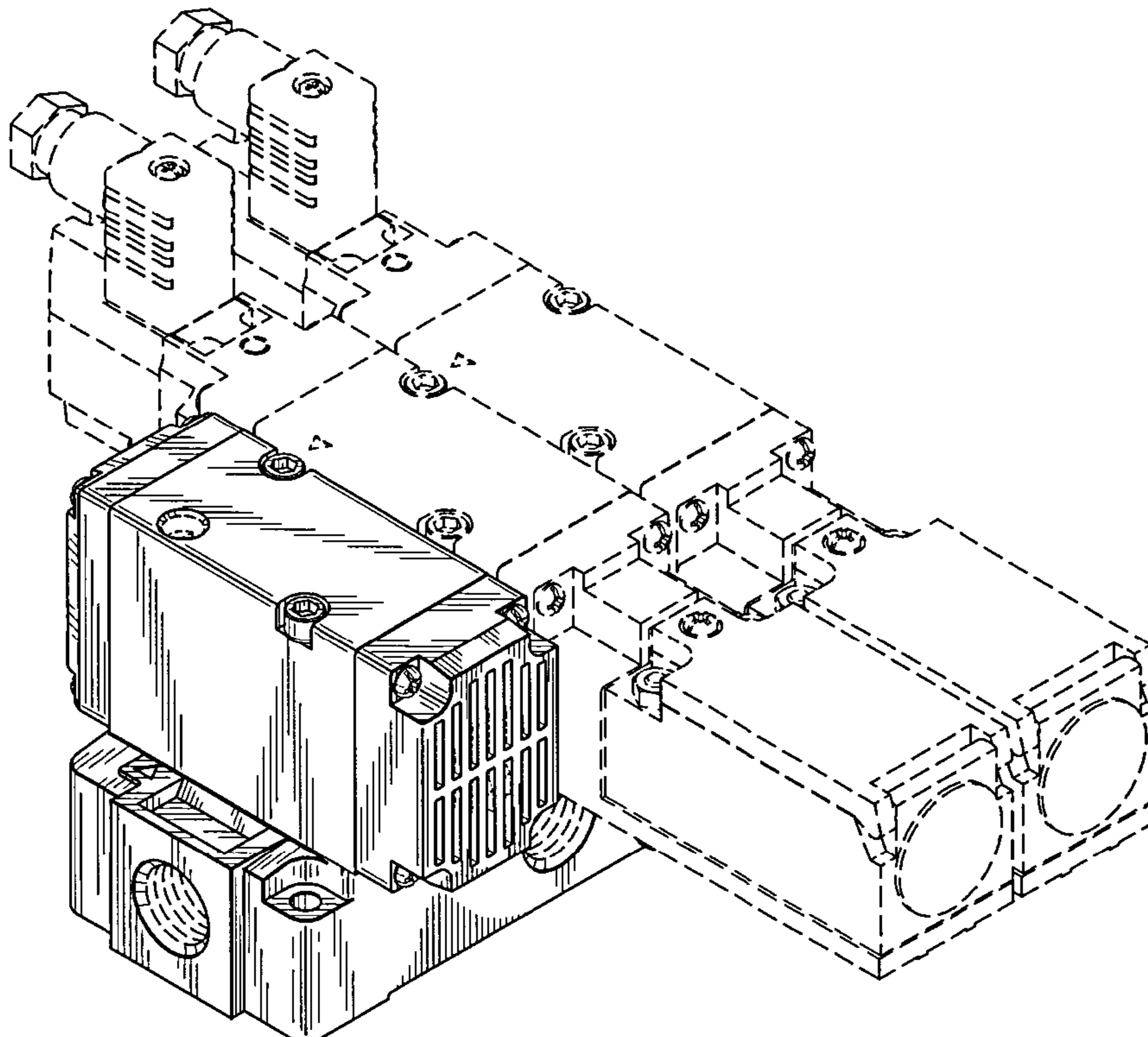


Fig. 1

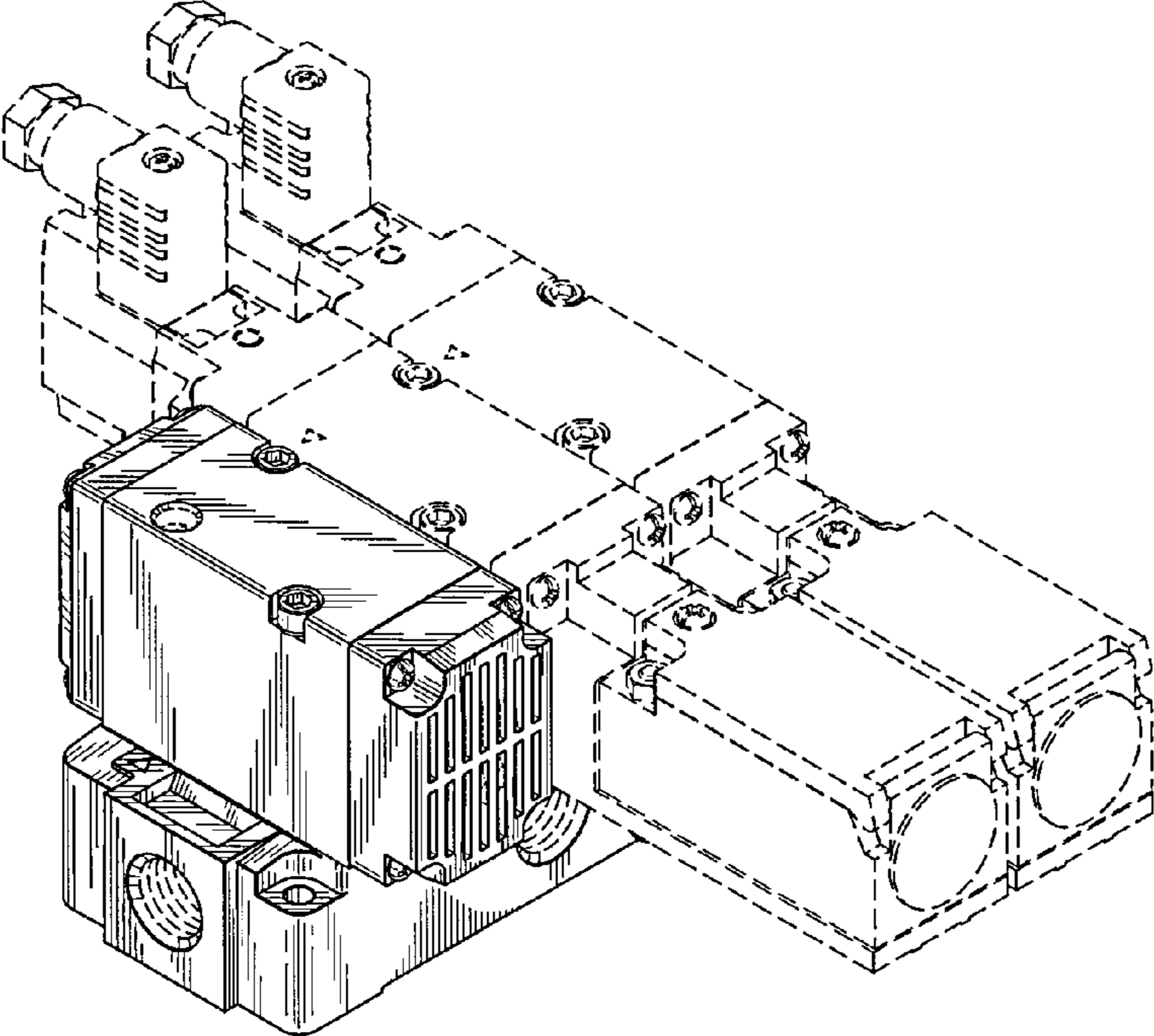


Fig. 2

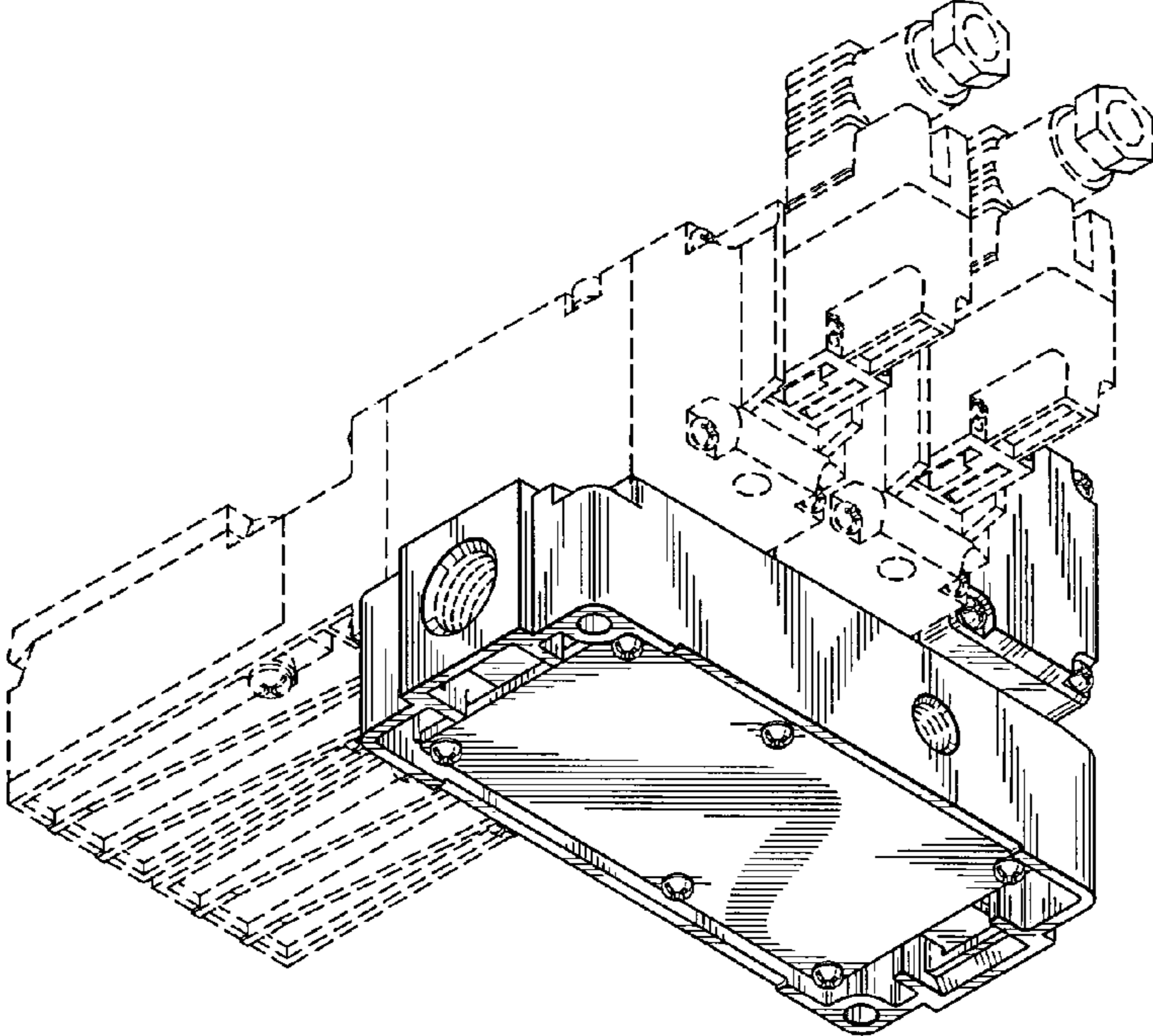


Fig. 3

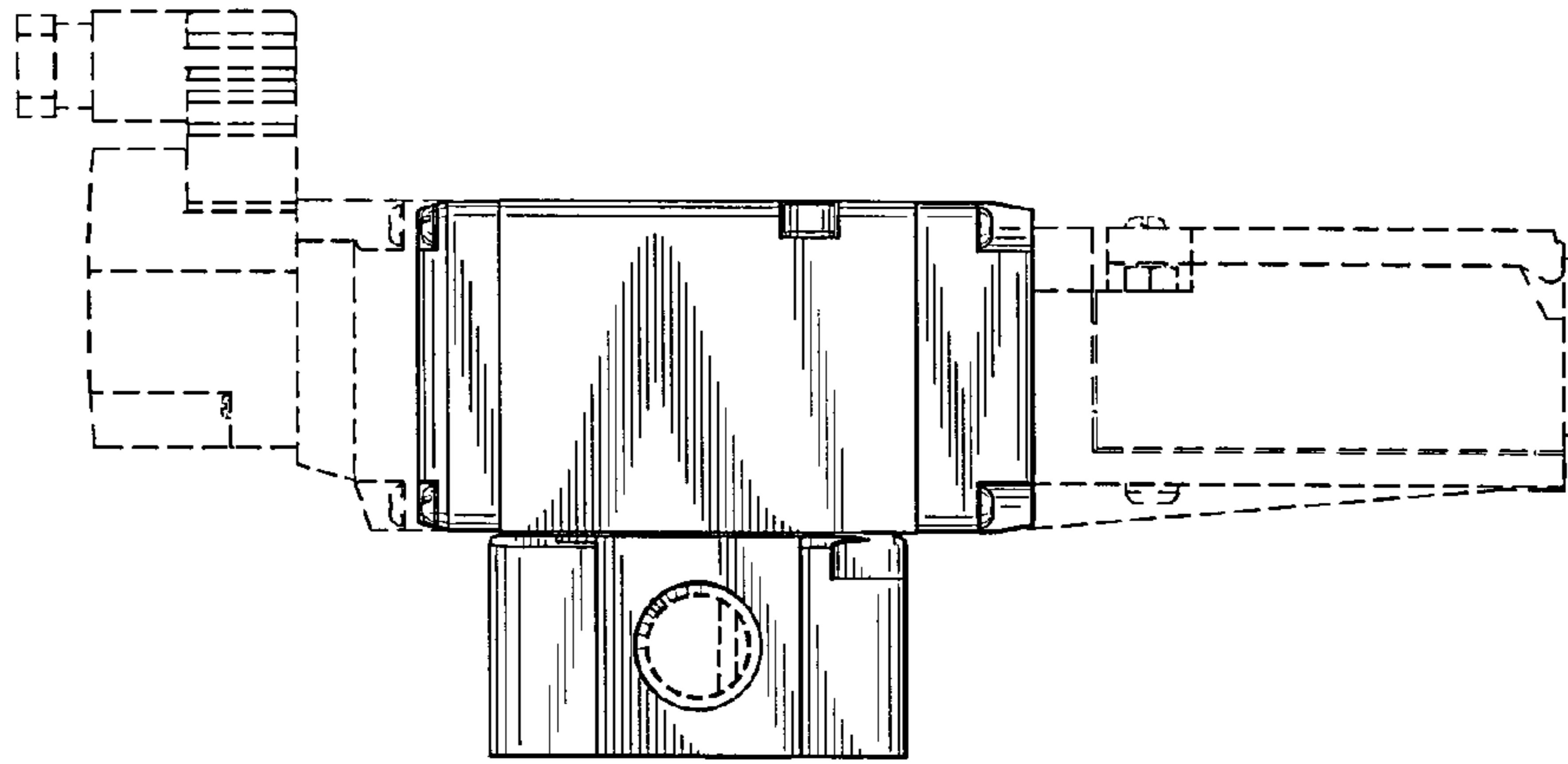


Fig. 4

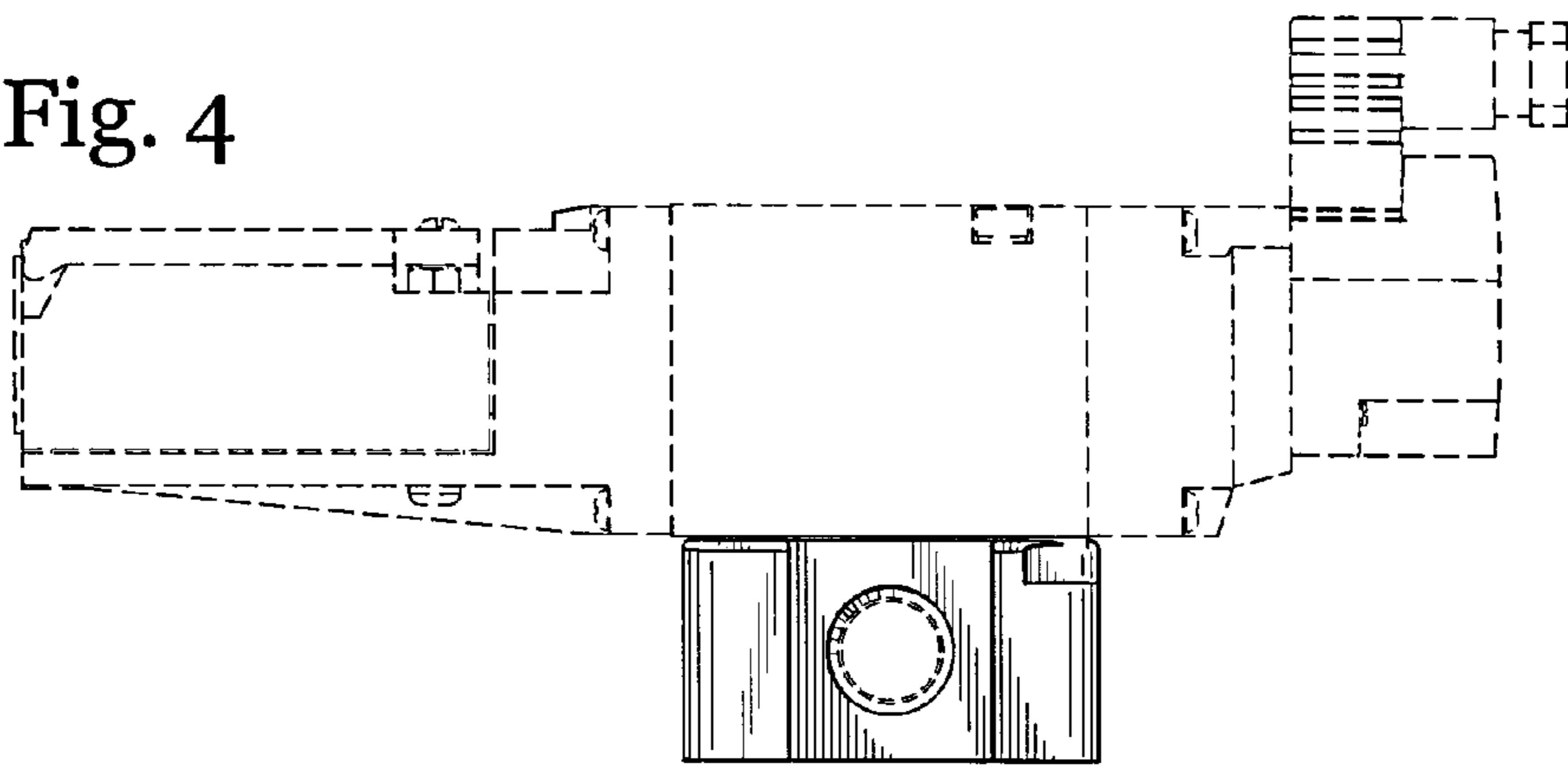


Fig. 5

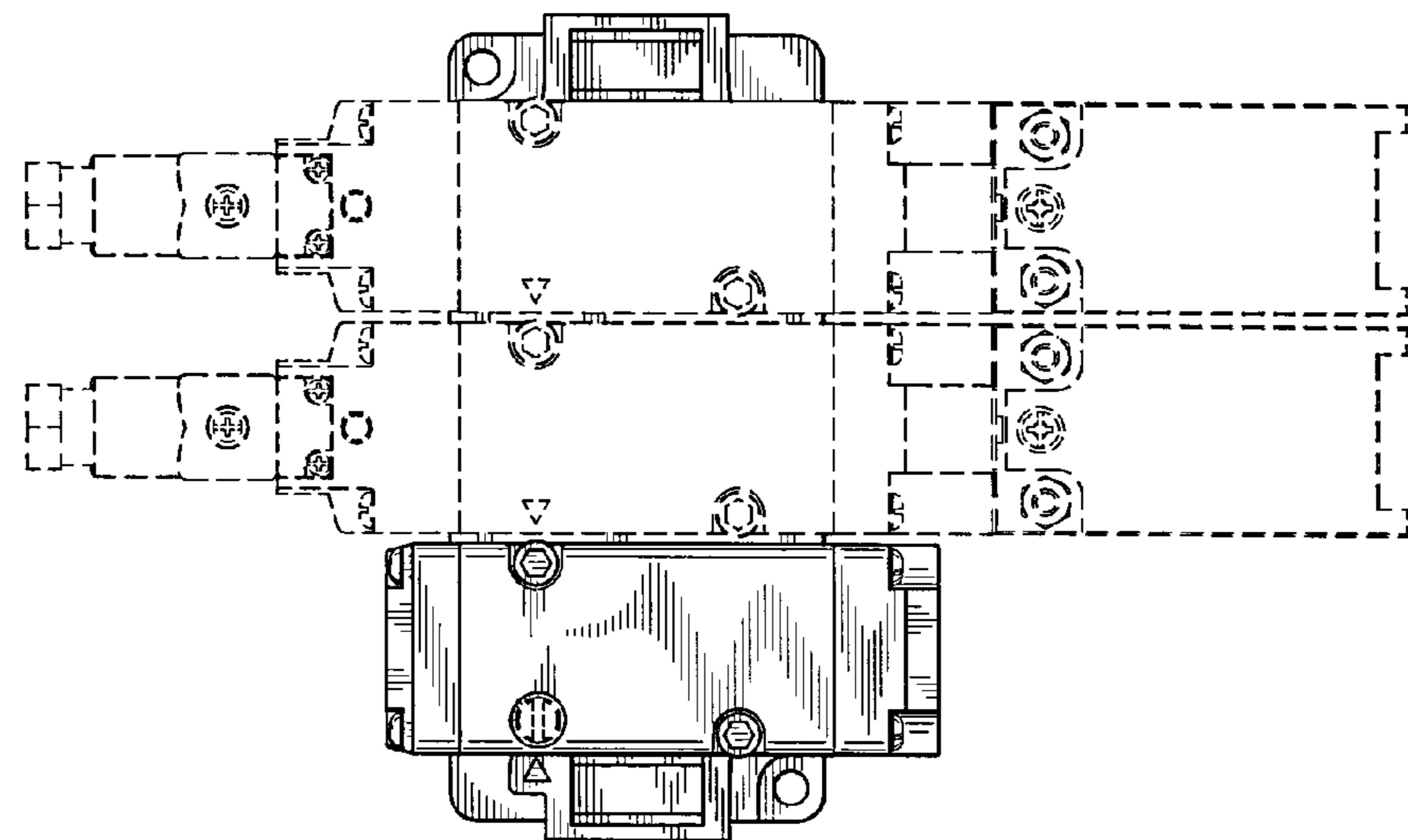


Fig. 6

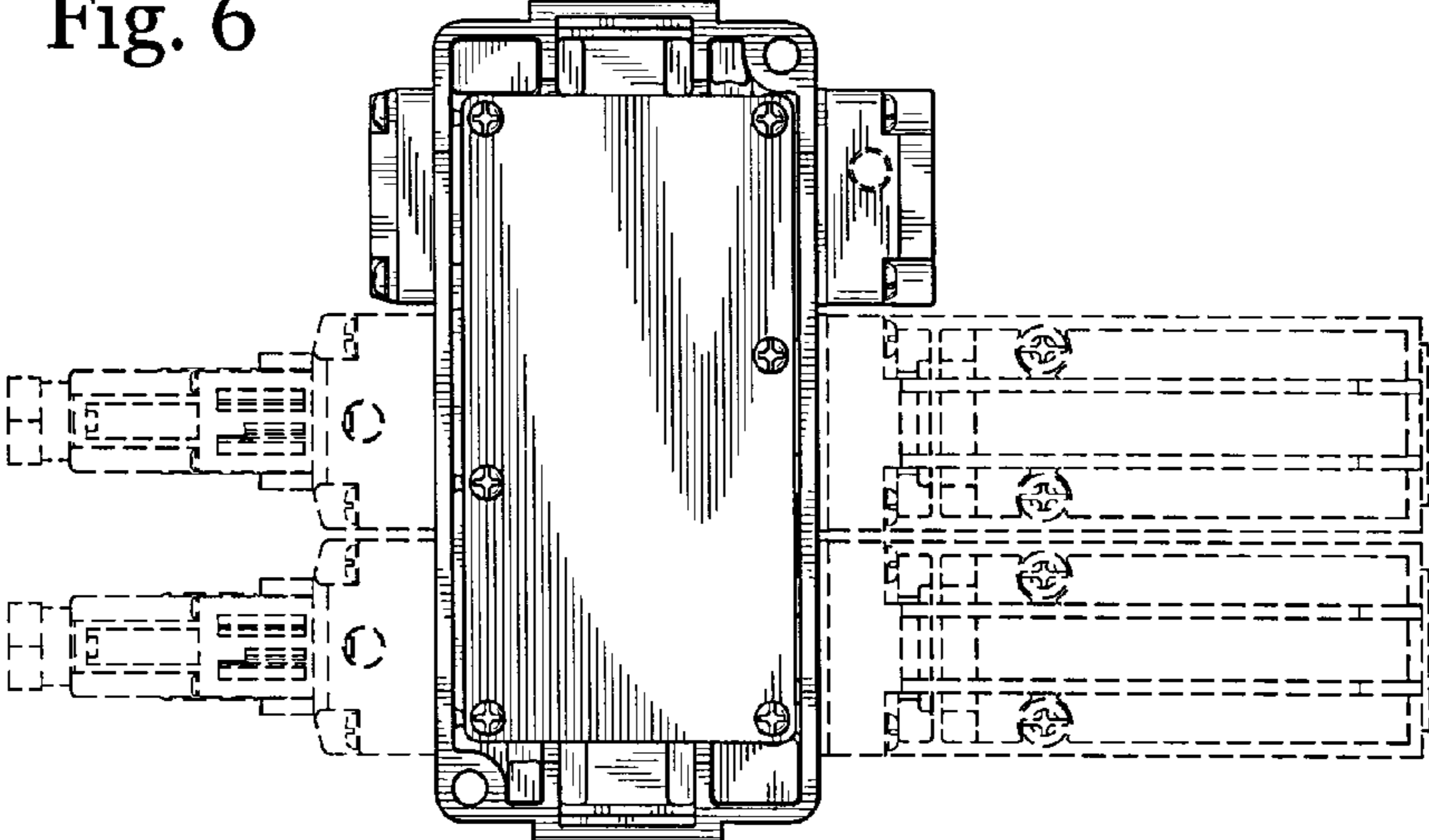


Fig. 7

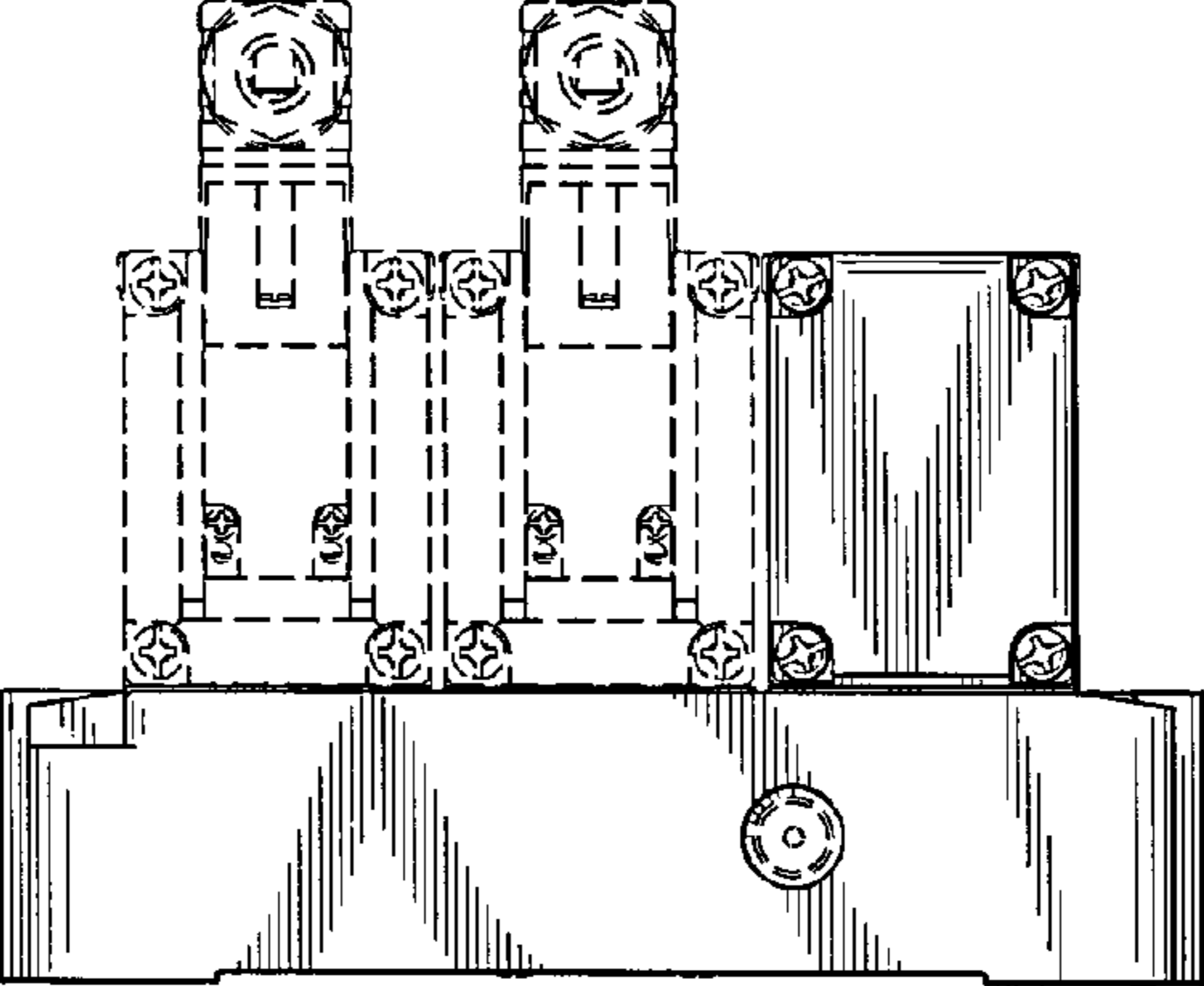


Fig. 8

