



US00D708705S

(12) **United States Design Patent**  
**Ryu**

(10) **Patent No.:** **US D708,705 S**  
(45) **Date of Patent:** **\*\* Jul. 8, 2014**

(54) **WALL MOUNTED SHOWER PANEL SET WITH SLIDE BAR**

(71) Applicant: **Cebien Co., Ltd.**, Gyeonggi-do (KR)

(72) Inventor: **In Shik Ryu**, Gyeonggi-do (KR)

(73) Assignee: **Cebien Co., Ltd.**, Gyeonggi-do (KR)

(\*\*) Term: **14 Years**

(21) Appl. No.: **29/446,156**

(22) Filed: **Feb. 21, 2013**

(51) **LOC (10) Cl.** ..... **23-01**

(52) **U.S. Cl.**

USPC ..... **D23/228; D23/304**

(58) **Field of Classification Search**

USPC ..... **D23/213, 229, 230, 228, 304; D6/525; 239/289; 4/597, 605, 612**

See application file for complete search history.

(56) **References Cited**

U.S. PATENT DOCUMENTS

D405,877 S *	2/1999	Larsson .....	D23/304
D540,923 S *	4/2007	Starck .....	D23/304
D593,183 S *	5/2009	Mitrani .....	D23/228
D612,453 S *	3/2010	Schoenherr et al. ....	D23/228
D648,825 S *	11/2011	Ando et al. ....	D23/228

\* cited by examiner

*Primary Examiner* — Robin V Webster

(74) *Attorney, Agent, or Firm* — Rabin & Berdo, P.C.

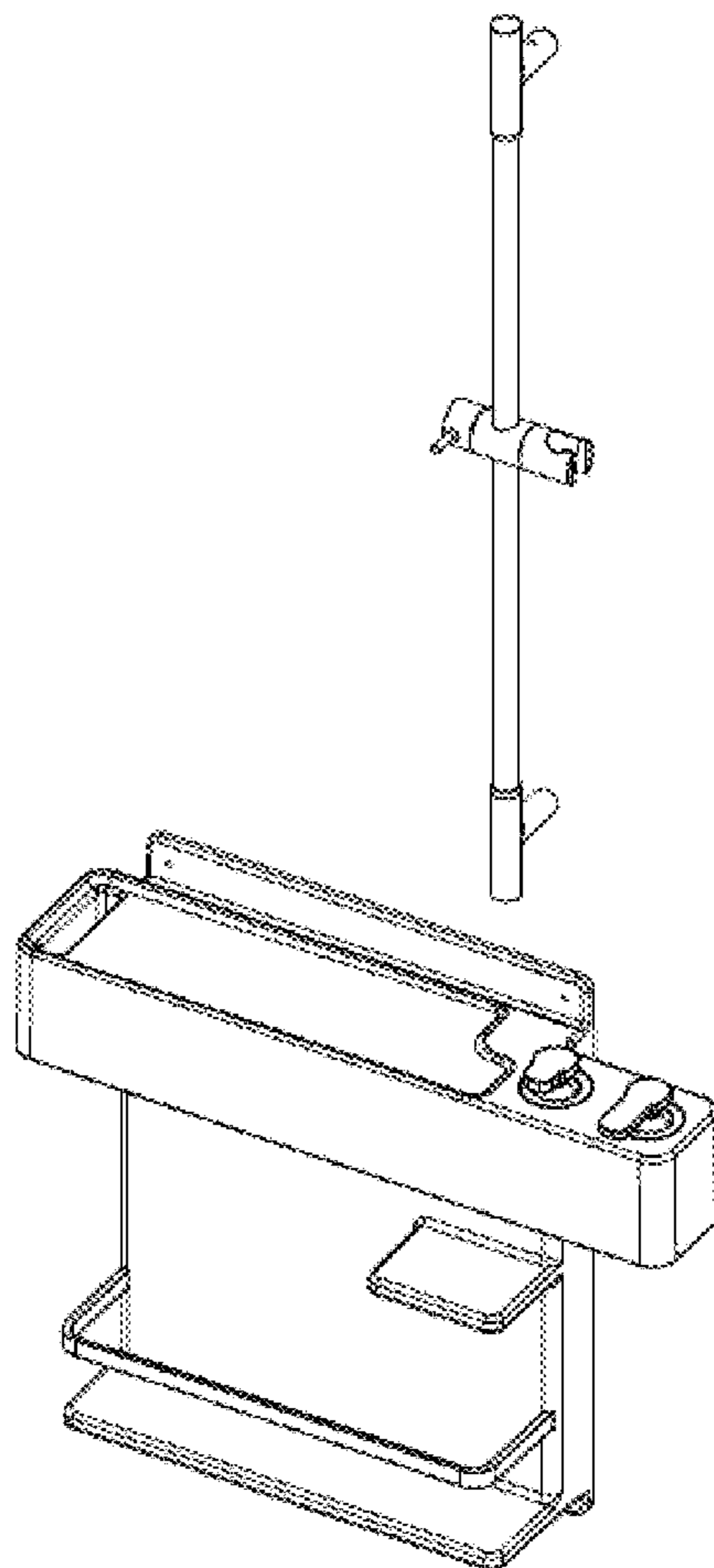
(57) **CLAIM**

I claim the ornamental design for a wall mounted shower panel set with slide bar, as shown and described.

**DESCRIPTION**

FIG. 1 is an exploded perspective view of a wall mounted shower panel with slide bar showing my new design; FIG. 2 is a front elevational view thereof; FIG. 3 is a rear elevational view thereof; FIG. 4 is a left side view thereof; FIG. 5 is a right side view thereof; FIG. 6 is a top view thereof; and, FIG. 7 is a bottom view thereof.

**1 Claim, 6 Drawing Sheets**



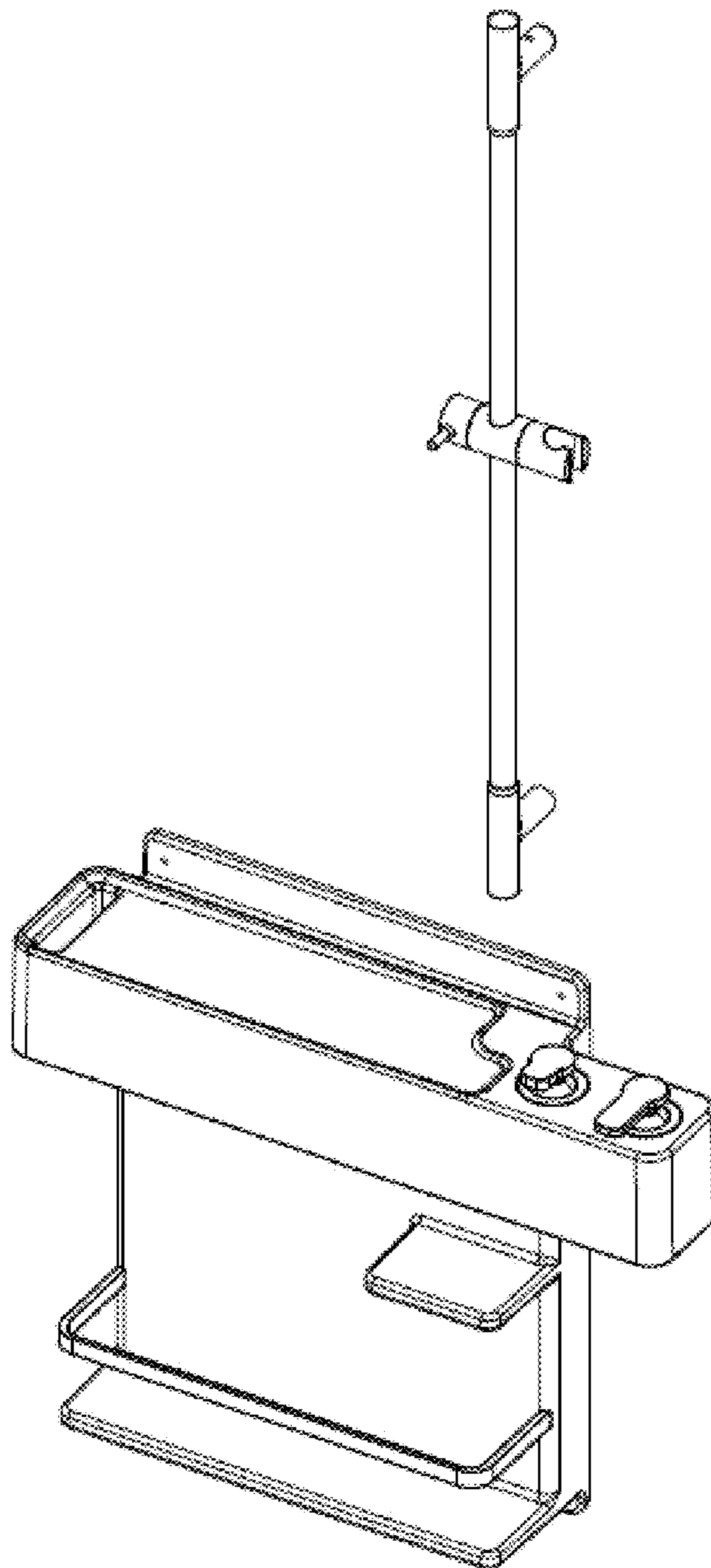


FIG. 1

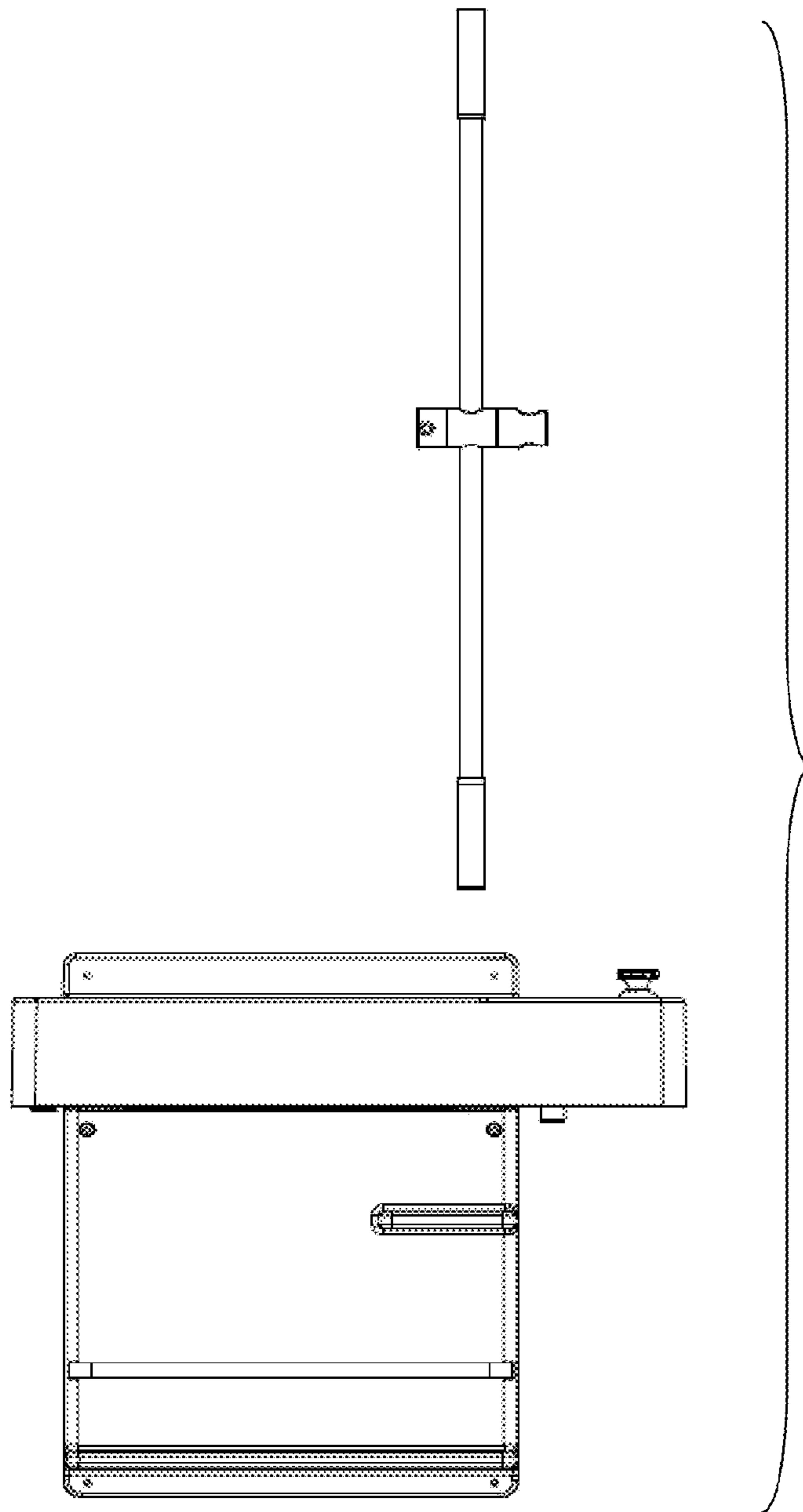


FIG. 2

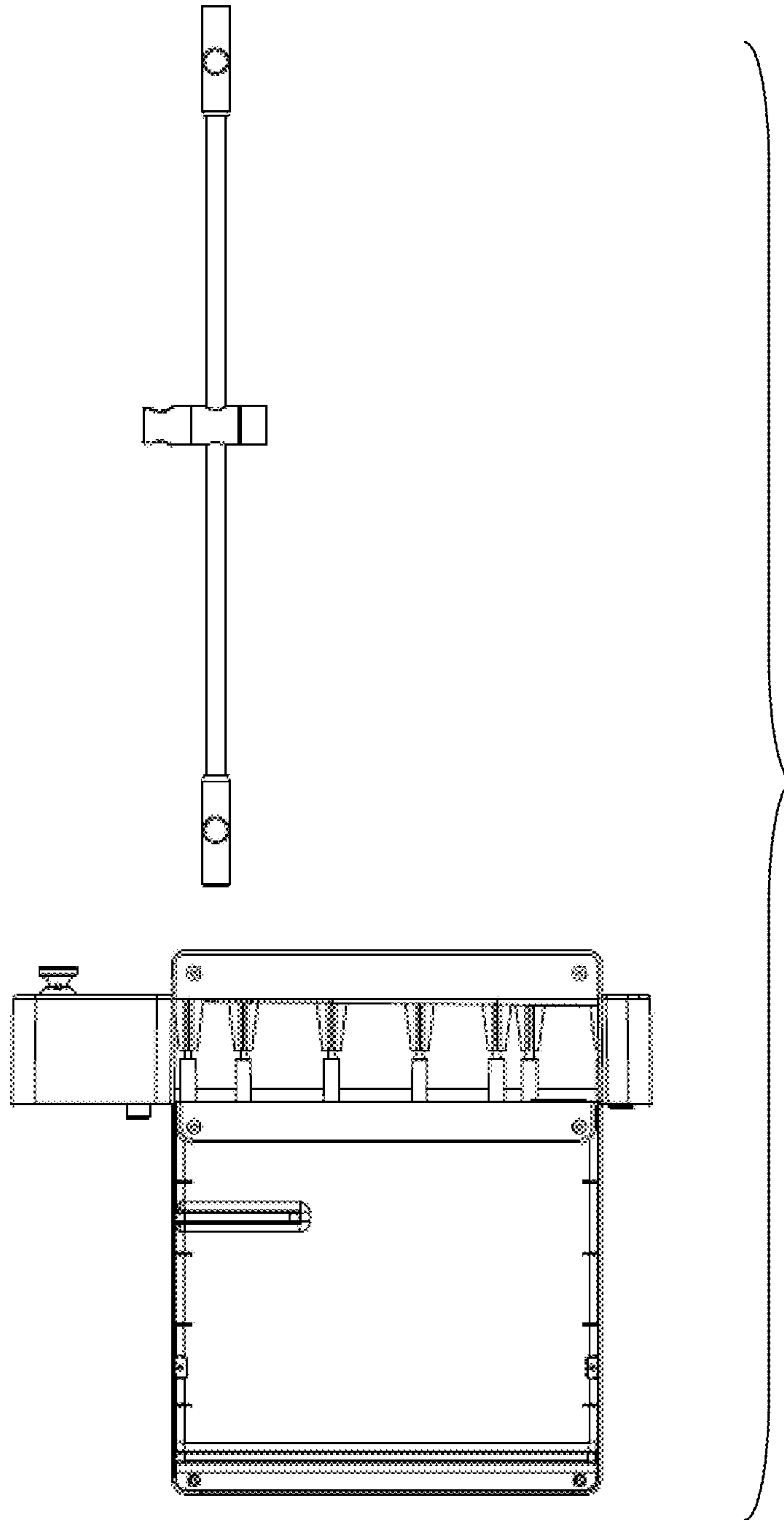


FIG. 3

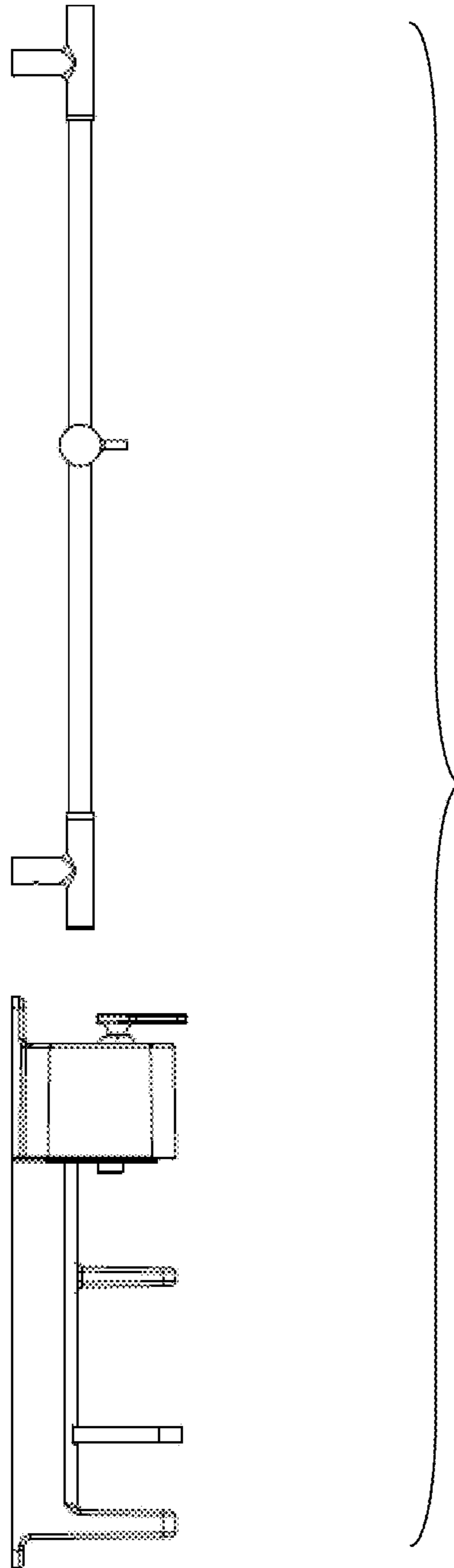


FIG. 4

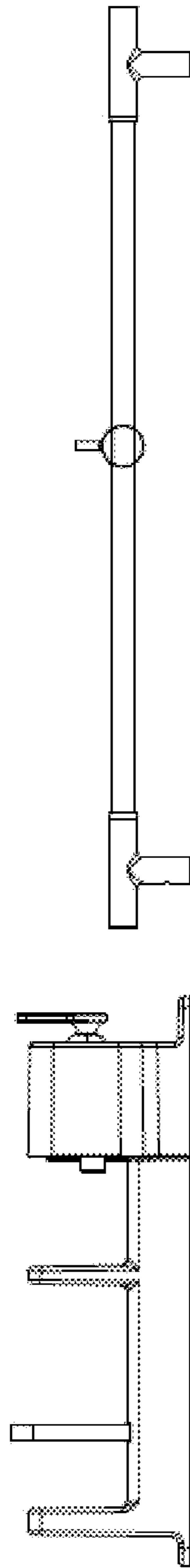


FIG. 5

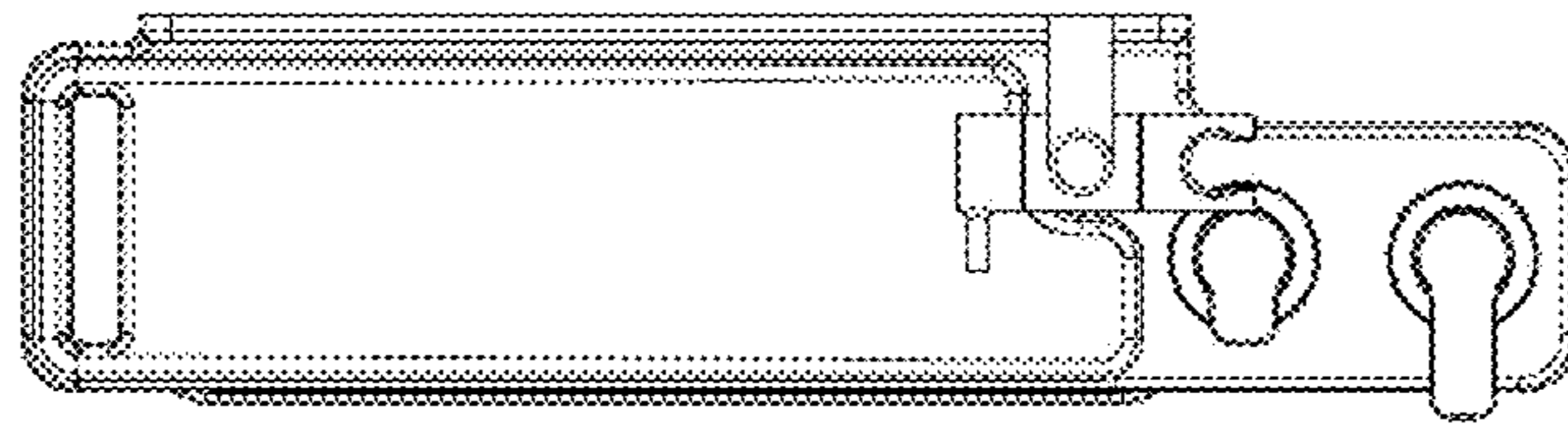


FIG. 6

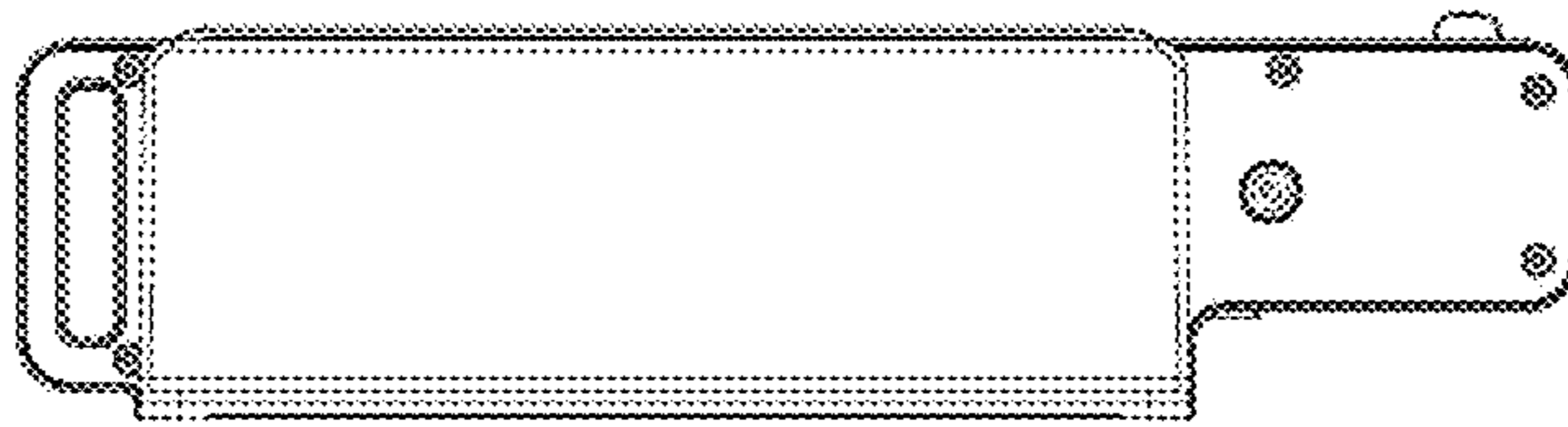


FIG. 7