



US00D708704S

(12) **United States Design Patent**
von der Lancken et al.

(10) **Patent No.:** **US D708,704 S**
(45) **Date of Patent:** **** Jul. 8, 2014**

(54) **HANSHOWER**

(71) Applicant: **Hansgrohe SE**, Schiltach (DE)

(72) Inventors: **Charlotte von der Lancken**, Stockholm (SE); **Anna Lindgren**, Stockholm (SE); **Sofia Lagerkvist**, Stockholm (SE)

(73) Assignee: **Hansgrohe SE**, Schiltach (DE)

(**) Term: **14 Years**

(21) Appl. No.: **29/464,936**

(22) Filed: **Aug. 22, 2013**

(30) **Foreign Application Priority Data**

Feb. 26, 2013 (EM) 001362313-0005

(51) **LOC (10) Cl.** **23-01**

(52) **U.S. Cl.**
USPC **D23/223**

(58) **Field of Classification Search**
USPC D23/213, 229, 230; 239/282, 283, 548;
4/615

See application file for complete search history.

(56) **References Cited**

U.S. PATENT DOCUMENTS

733,635 A * 7/1903 Dunn 239/283
D330,068 S 10/1992 Haug et al.

D605,249 S * 12/2009 Bailey D23/213
D620,076 S * 7/2010 Jian et al. D23/223
D638,100 S * 5/2011 Juan D23/213
D652,482 S * 1/2012 Obara et al. D23/213
D667,927 S * 9/2012 Linginfelter D23/213
D675,712 S 2/2013 Berger

FOREIGN PATENT DOCUMENTS

CN 302233403 12/2012

* cited by examiner

Primary Examiner — Robin V Webster

(74) *Attorney, Agent, or Firm* — Lora J. Graentzdoerffer

(57) **CLAIM**

The ornamental design for a handshower, as shown and described.

DESCRIPTION

FIG. 1 is a perspective view of a handshower showing our design;

FIG. 2 is a front elevational view thereof;

FIG. 3 is a rear elevational view thereof;

FIG. 4 is a left side elevational view thereof;

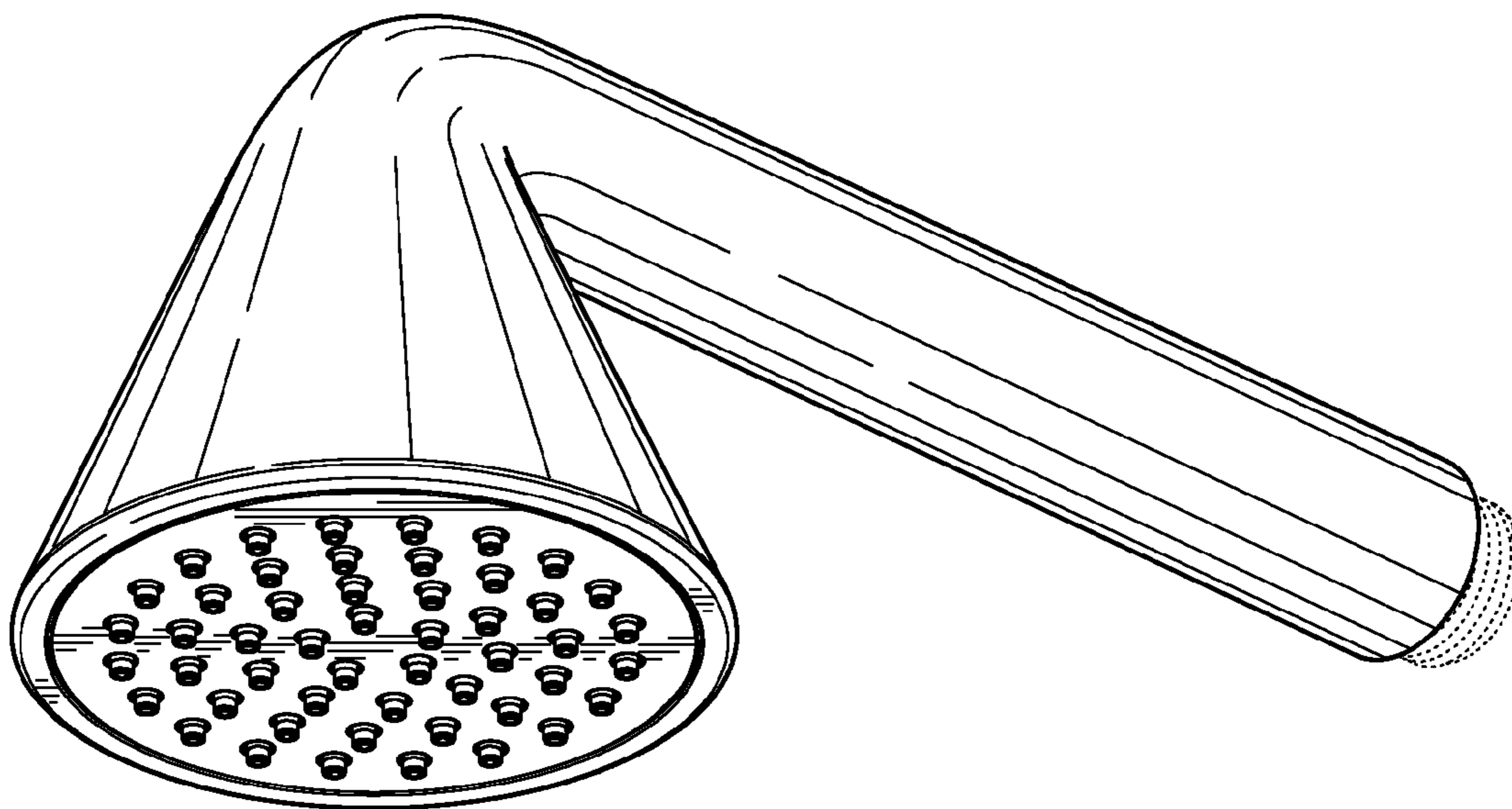
FIG. 5 is a right side elevational view thereof;

FIG. 6 is a top plan view thereof; and,

FIG. 7 is a bottom plan view thereof.

The broken-line disclosure in the views represents portions of the article in which the claimed design is embodied, but which form no part of the claimed design.

1 Claim, 7 Drawing Sheets



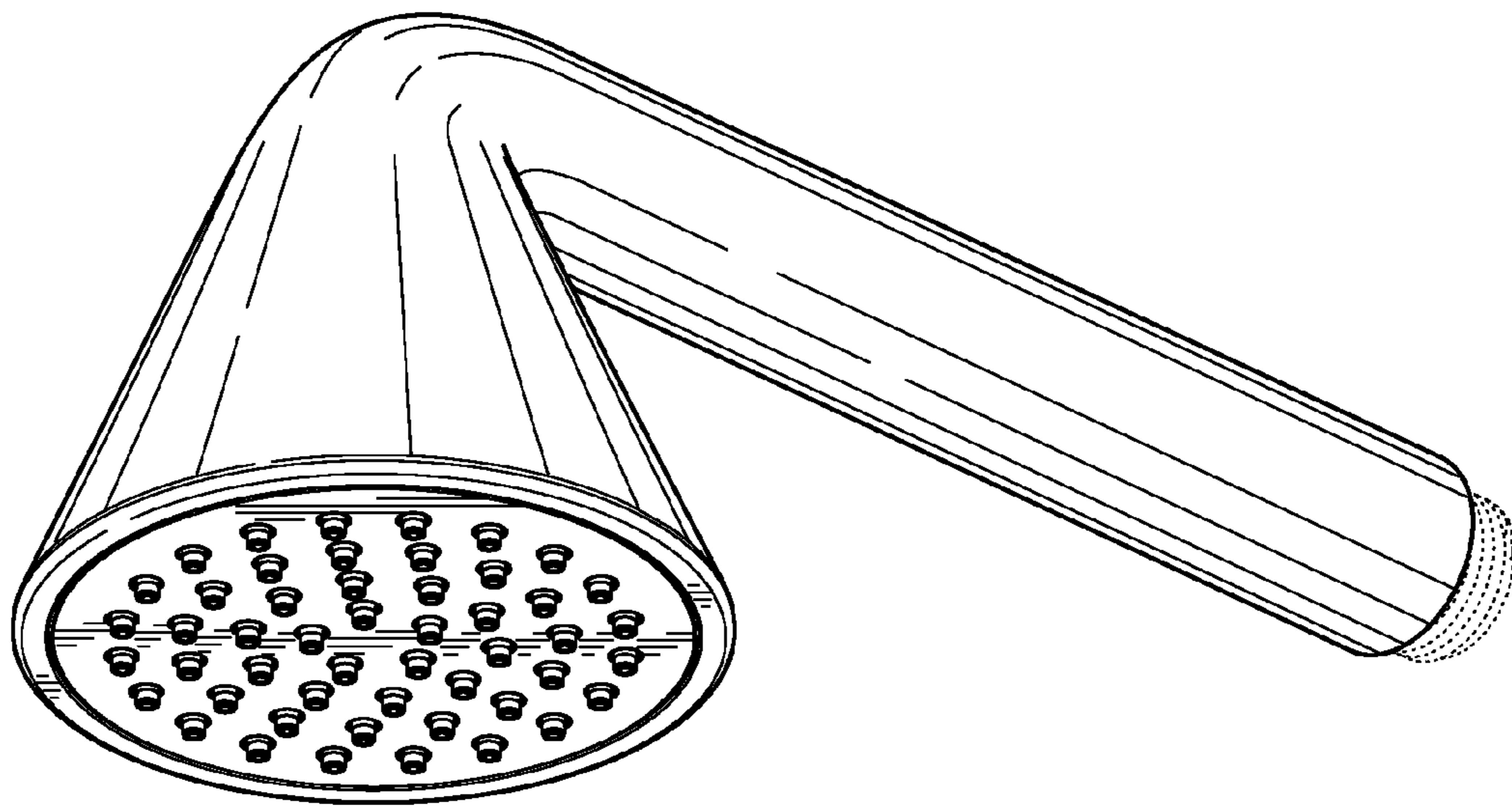


FIG. 1

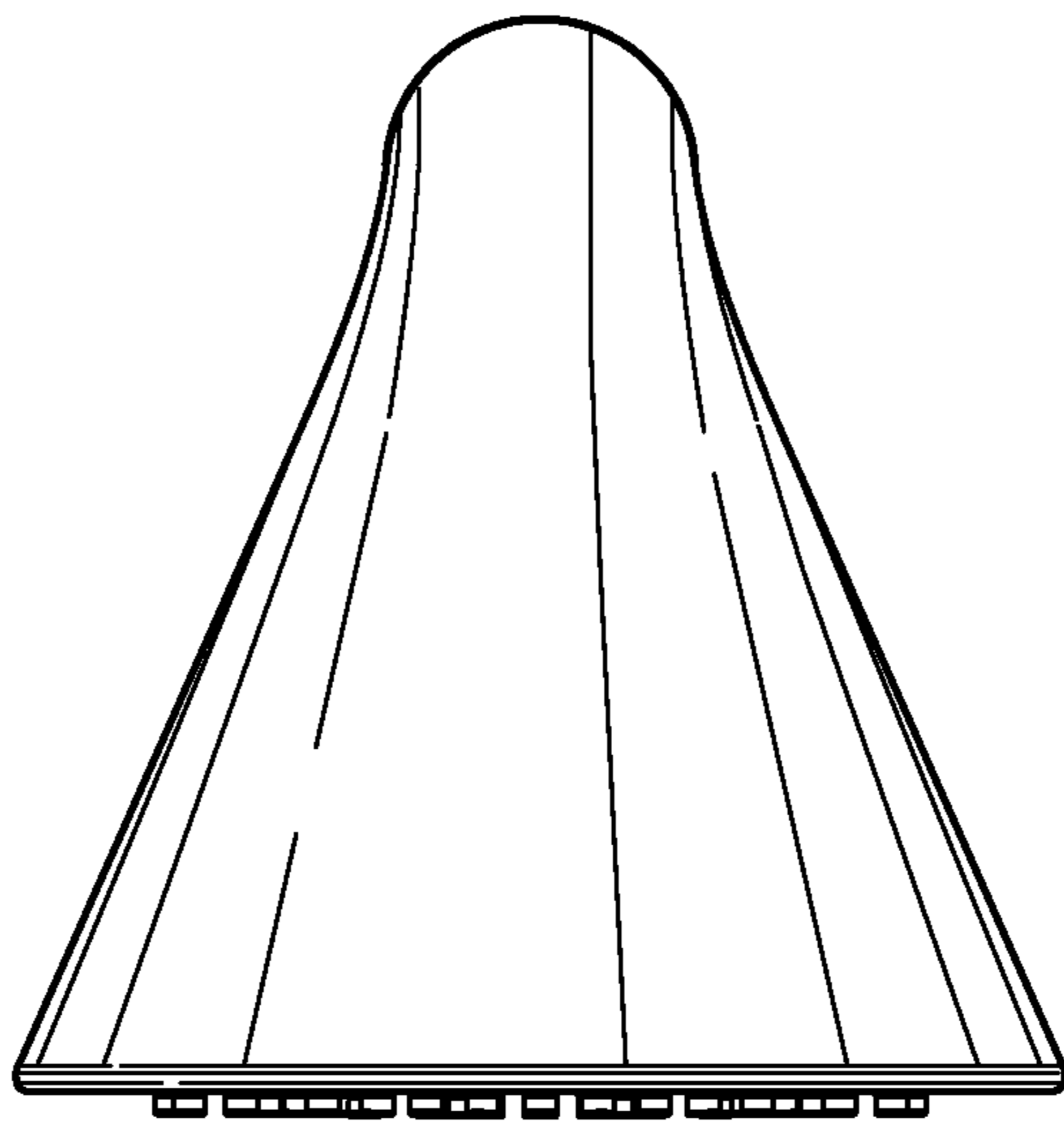


FIG. 2

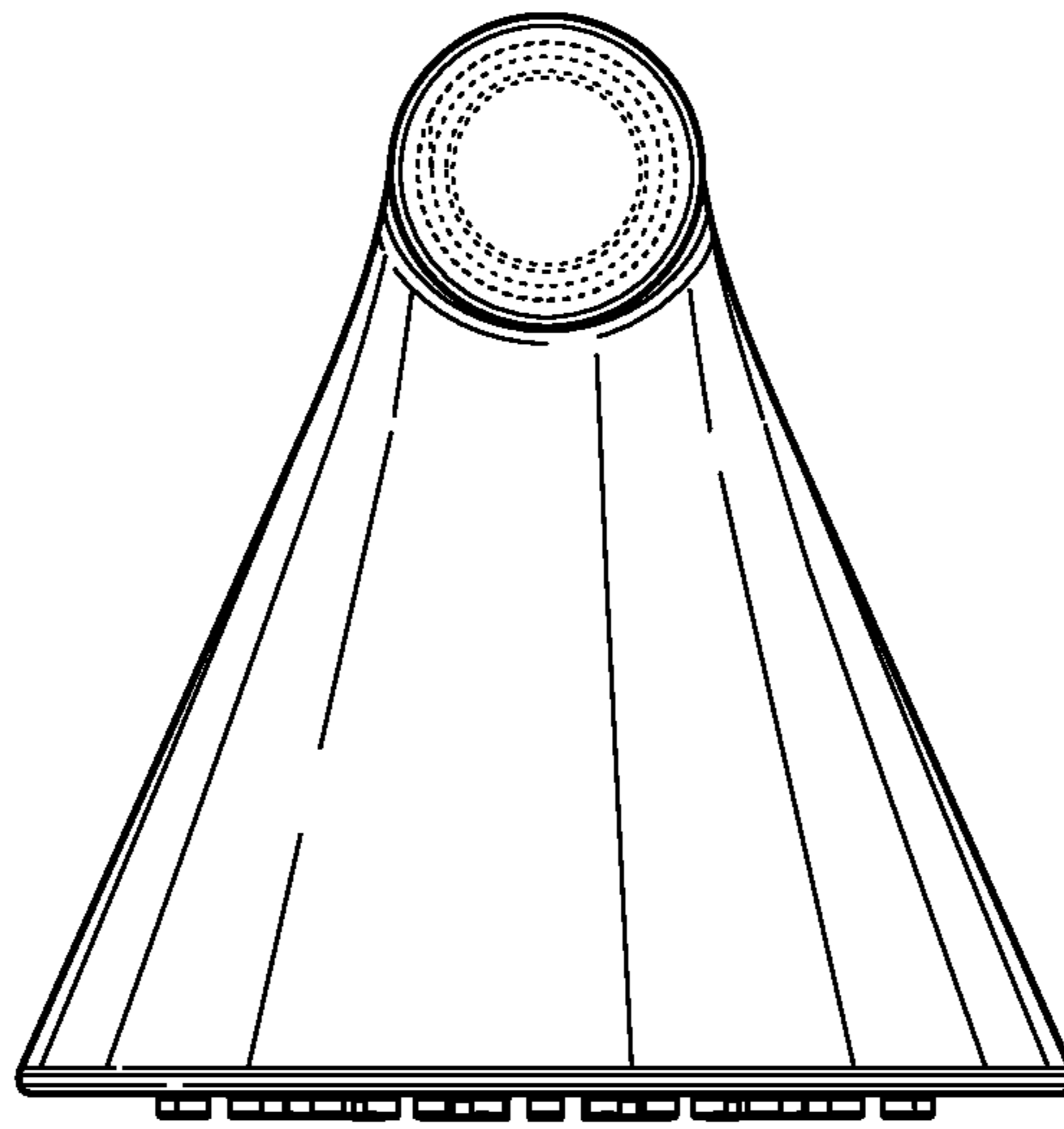


FIG. 3

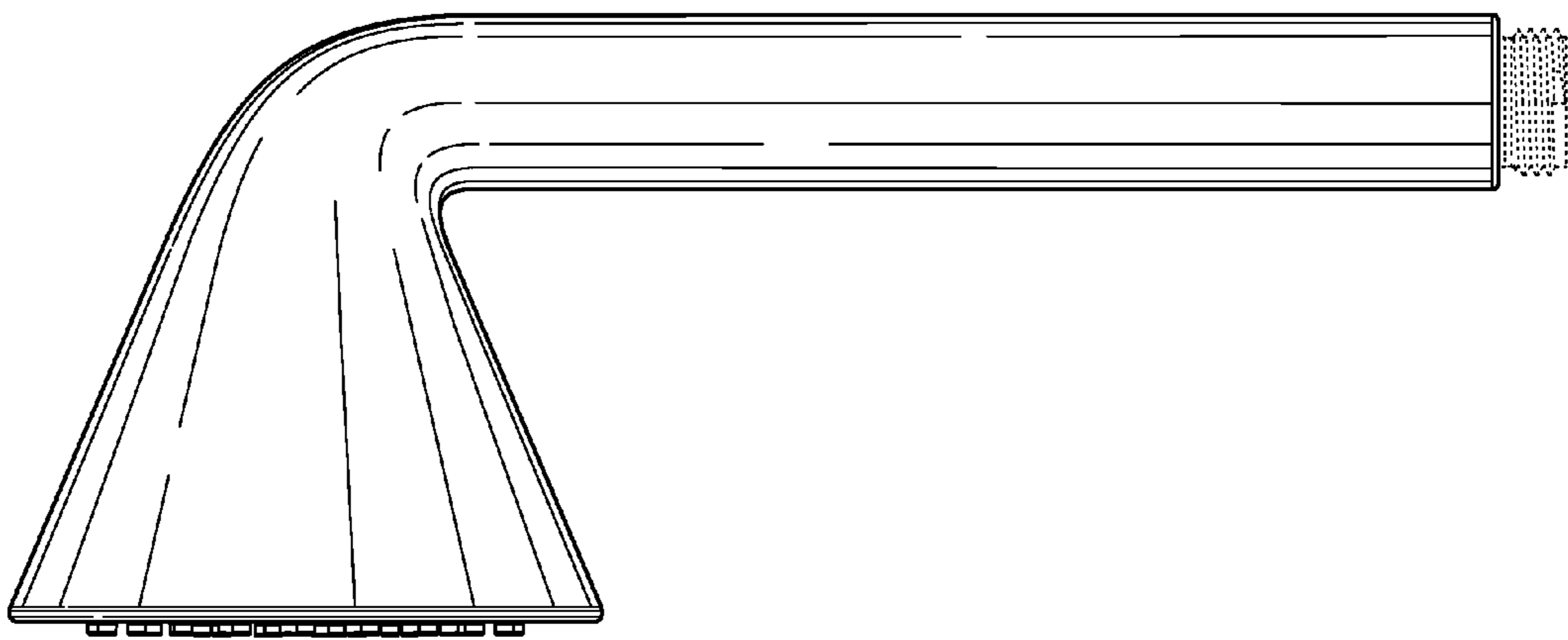


FIG. 4

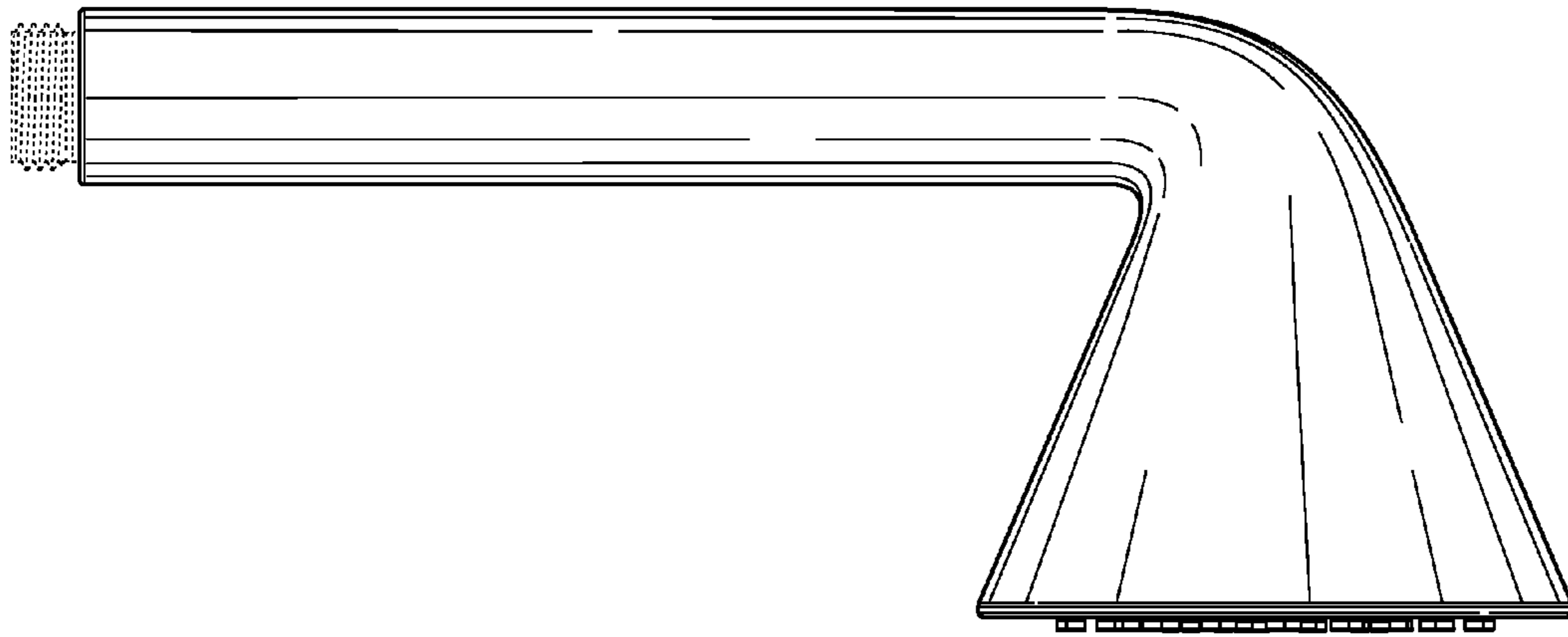


FIG. 5

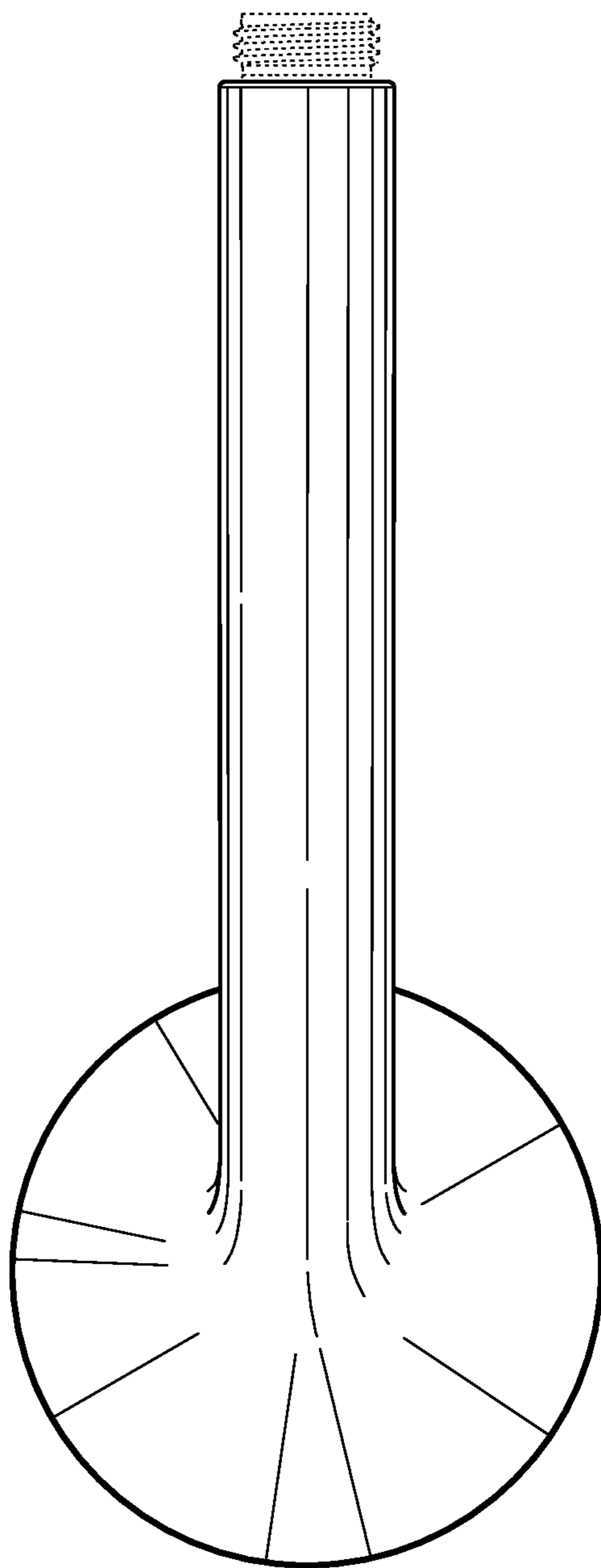


FIG. 6

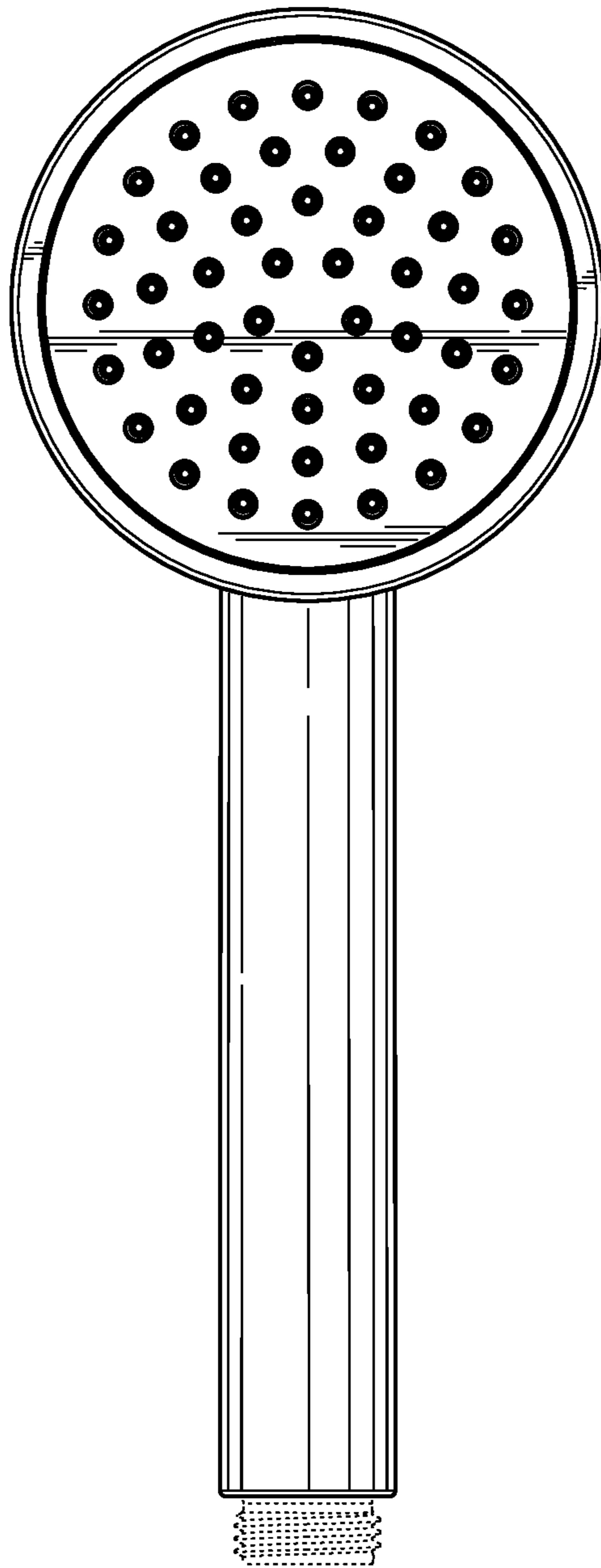


FIG. 7