



US00D708702S

(12) **United States Design Patent**
Clay

(10) **Patent No.:** **US D708,702 S**

(45) **Date of Patent:** **** Jul. 8, 2014**

(54) **SPRINKLER APPARATUS**

8,136,742 B2 * 3/2012 Cordua 239/205
8,366,020 B2 * 2/2013 Wang et al. 239/237
D682,391 S * 5/2013 Kah et al. D23/214

(71) Applicant: **RX Plastics Limited**, Ashburton (NZ)

(72) Inventor: **Chris Clay**, Ashburton (NZ)

(73) Assignee: **RX Plastics Limited**, Ashburton (NZ)

(**) Term: **14 Years**

(21) Appl. No.: **29/449,490**

(22) Filed: **Mar. 15, 2013**

(30) **Foreign Application Priority Data**

Oct. 30, 2012 (NZ) 416921

(51) **LOC (10) CL.** **23-01**

(52) **U.S. CL.**
USPC **D23/214**

(58) **Field of Classification Search**
USPC D23/213, 214, 218; 239/200–206,
239/288.5

See application file for complete search history.

(56) **References Cited**

U.S. PATENT DOCUMENTS

D264,491 S * 5/1982 Hunter D23/218
D275,313 S * 8/1984 Clivio et al. D23/218
D466,585 S * 12/2002 Alkalay D23/214
D466,971 S * 12/2002 Clivio D23/214
6,568,608 B2 * 5/2003 Sirkin 239/569
7,017,831 B2 * 3/2006 Santiago et al. 239/222.13
7,097,116 B2 * 8/2006 Fernandez 239/206
D628,272 S * 11/2010 Kahet al. D23/214

OTHER PUBLICATIONS

U.S. Appl. No. 13/834,089, entitled "Improvements In And Relating To Irrigation".

* cited by examiner

Primary Examiner — Robin V Webster

(74) *Attorney, Agent, or Firm* — Greer, Burns & Crain, Ltd.

(57) **CLAIM**

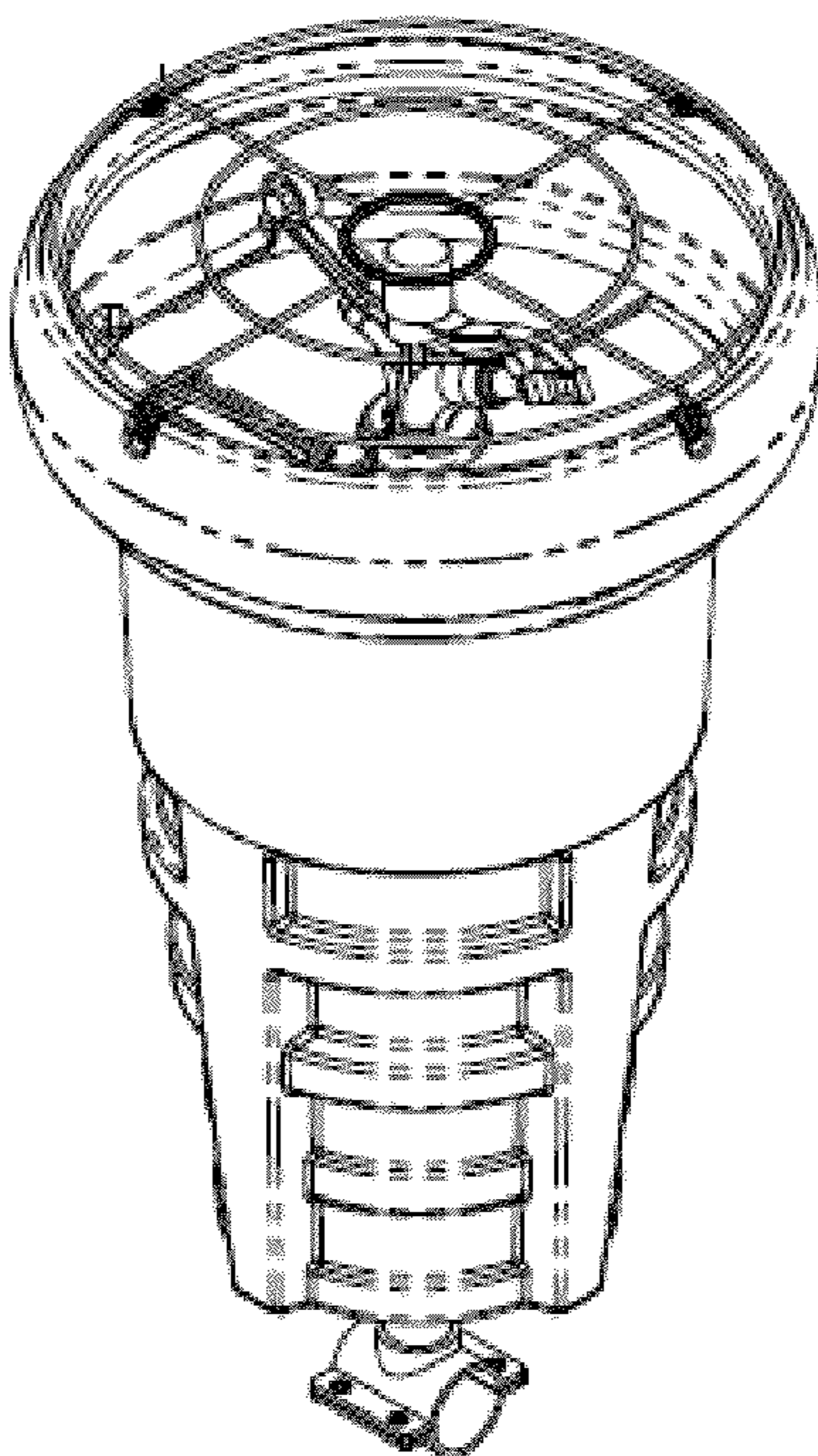
The ornamental design for a sprinkler apparatus, as shown and described.

DESCRIPTION

FIG. 1 is a top perspective view of the present sprinkler apparatus;
FIG. 2 is a front view of the present sprinkler apparatus;
FIG. 3 is a right hand side view of same;
FIG. 4 is a top view of same;
FIG. 5 is a bottom view of the sprinkler apparatus of FIG. 1;
FIG. 6 is cross-section taken along the line A-A of FIG. 4 and in the direction generally indicated; and,
FIG. 7 is a bottom rear perspective view of the sprinkler apparatus of FIG. 1.

The structure shown in broken lines is for environment purposes only and does not form part of the claimed invention.

1 Claim, 7 Drawing Sheets



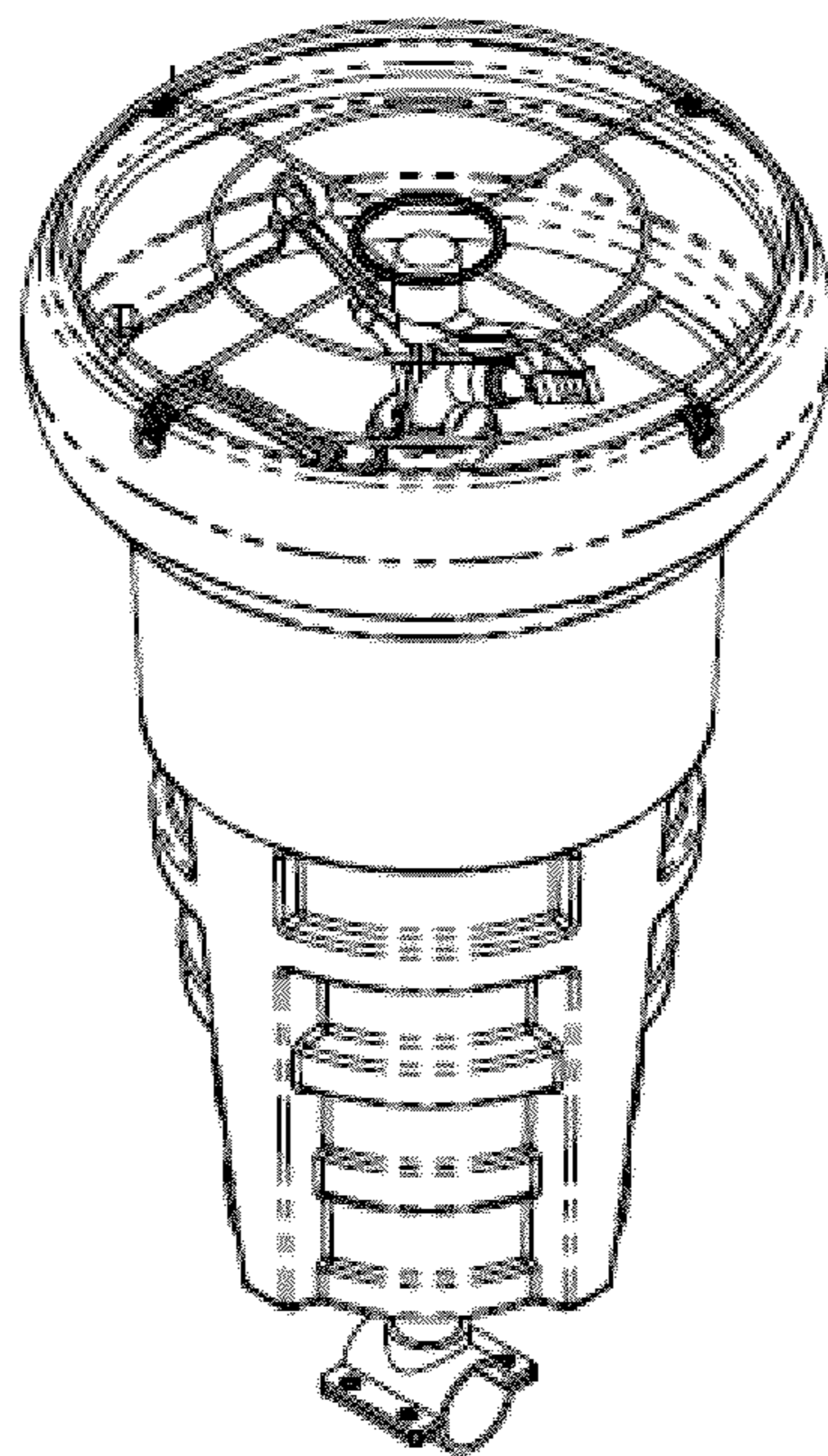


FIG. 1

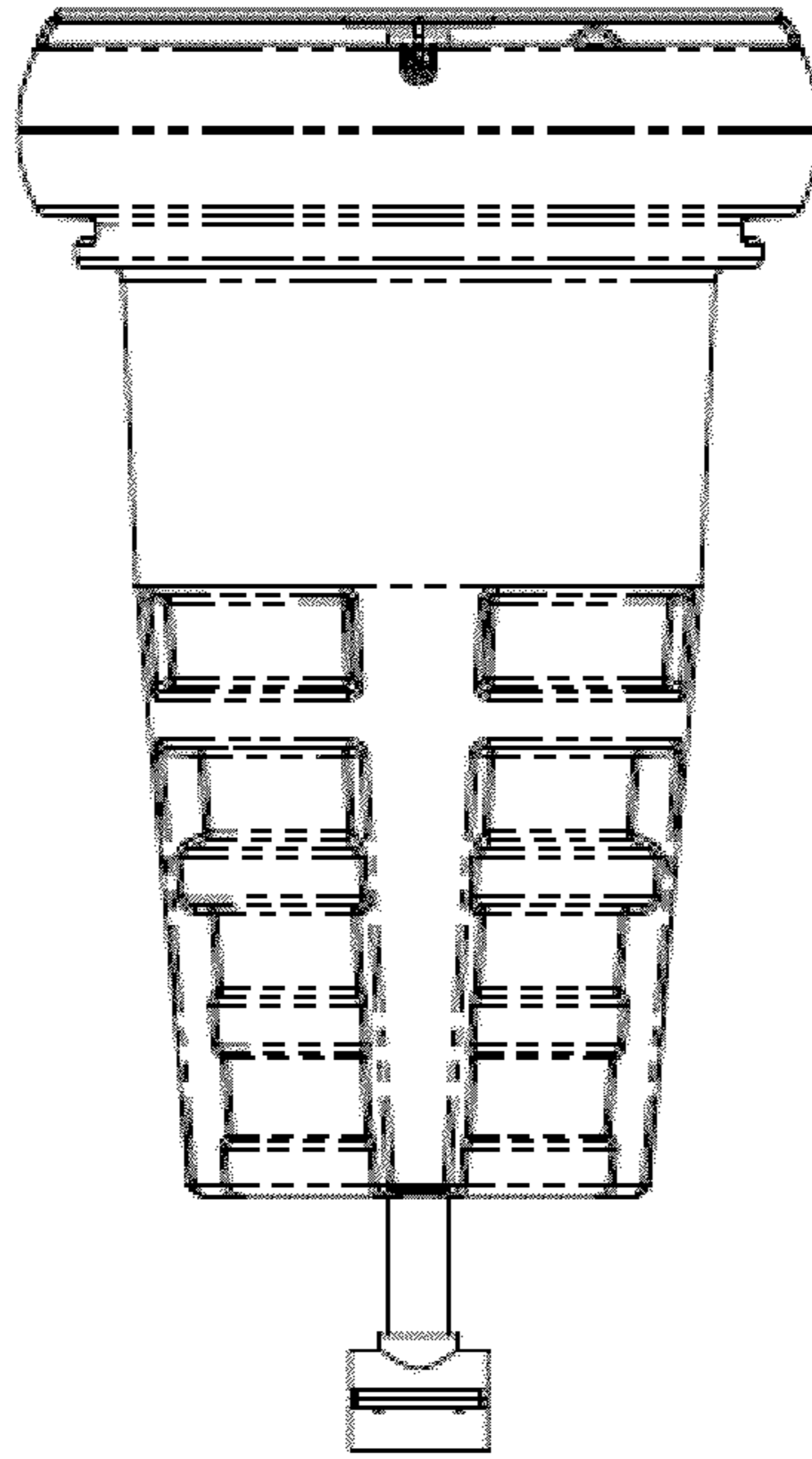


FIG. 2

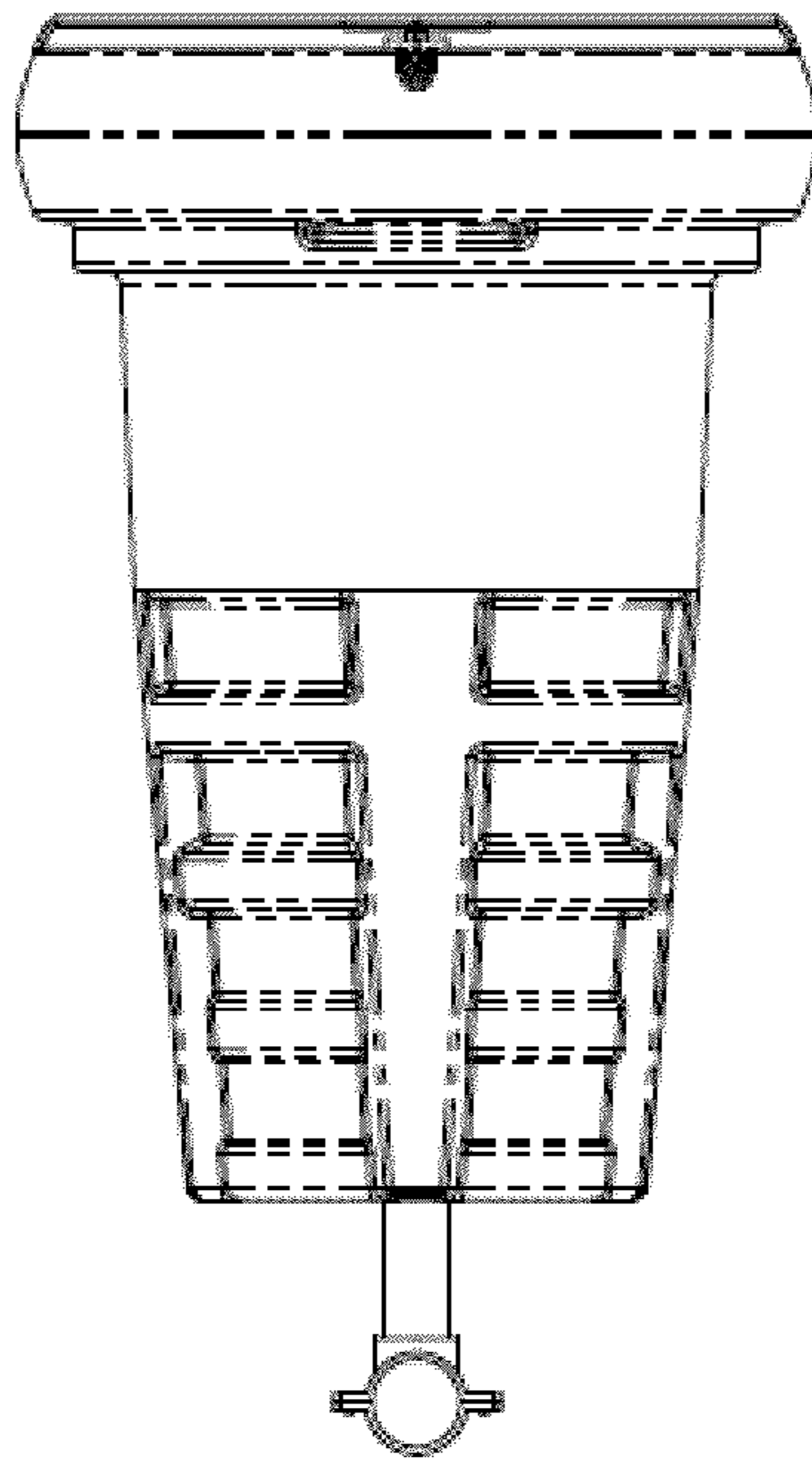


FIG. 3

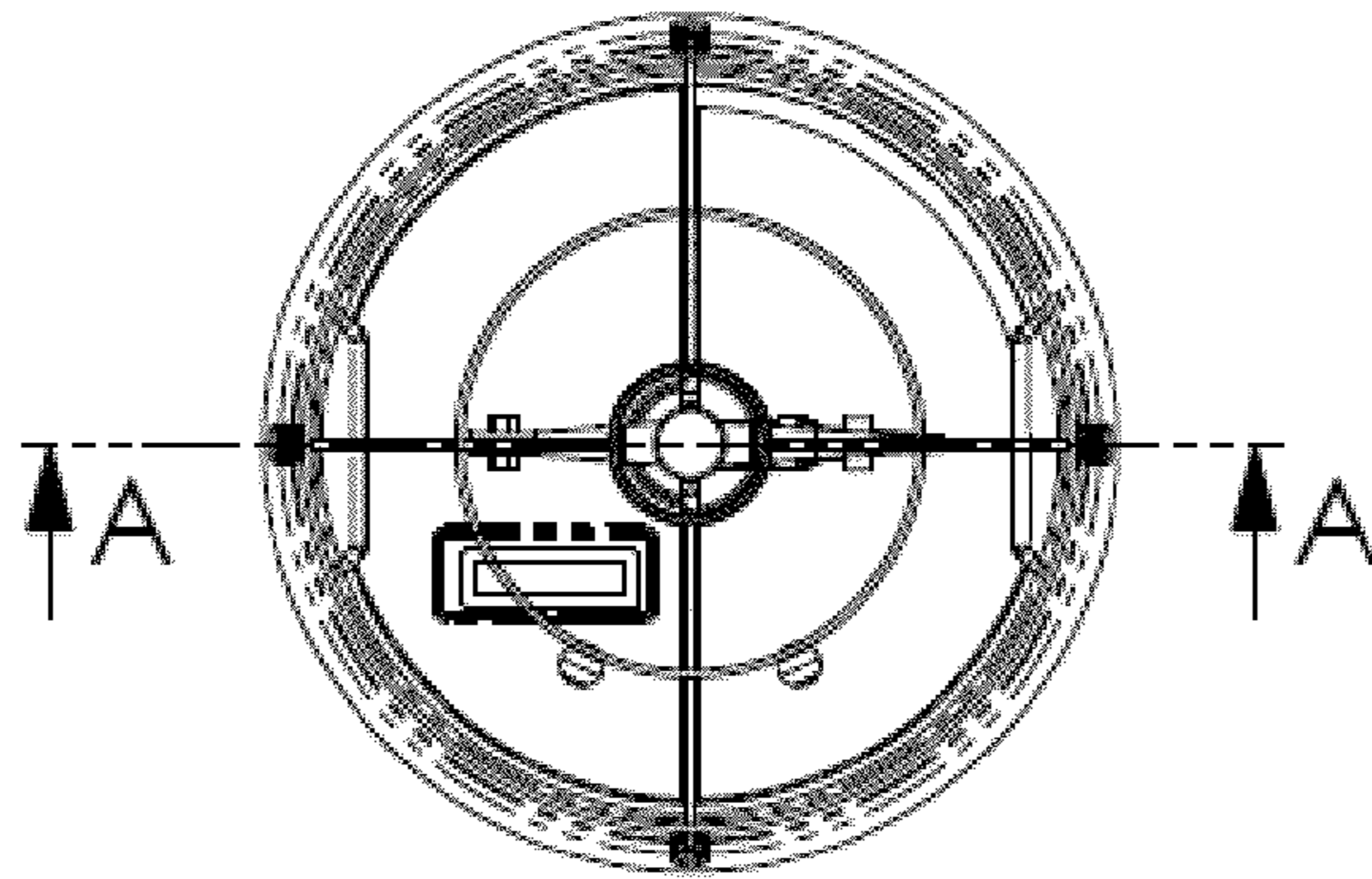


FIG. 4

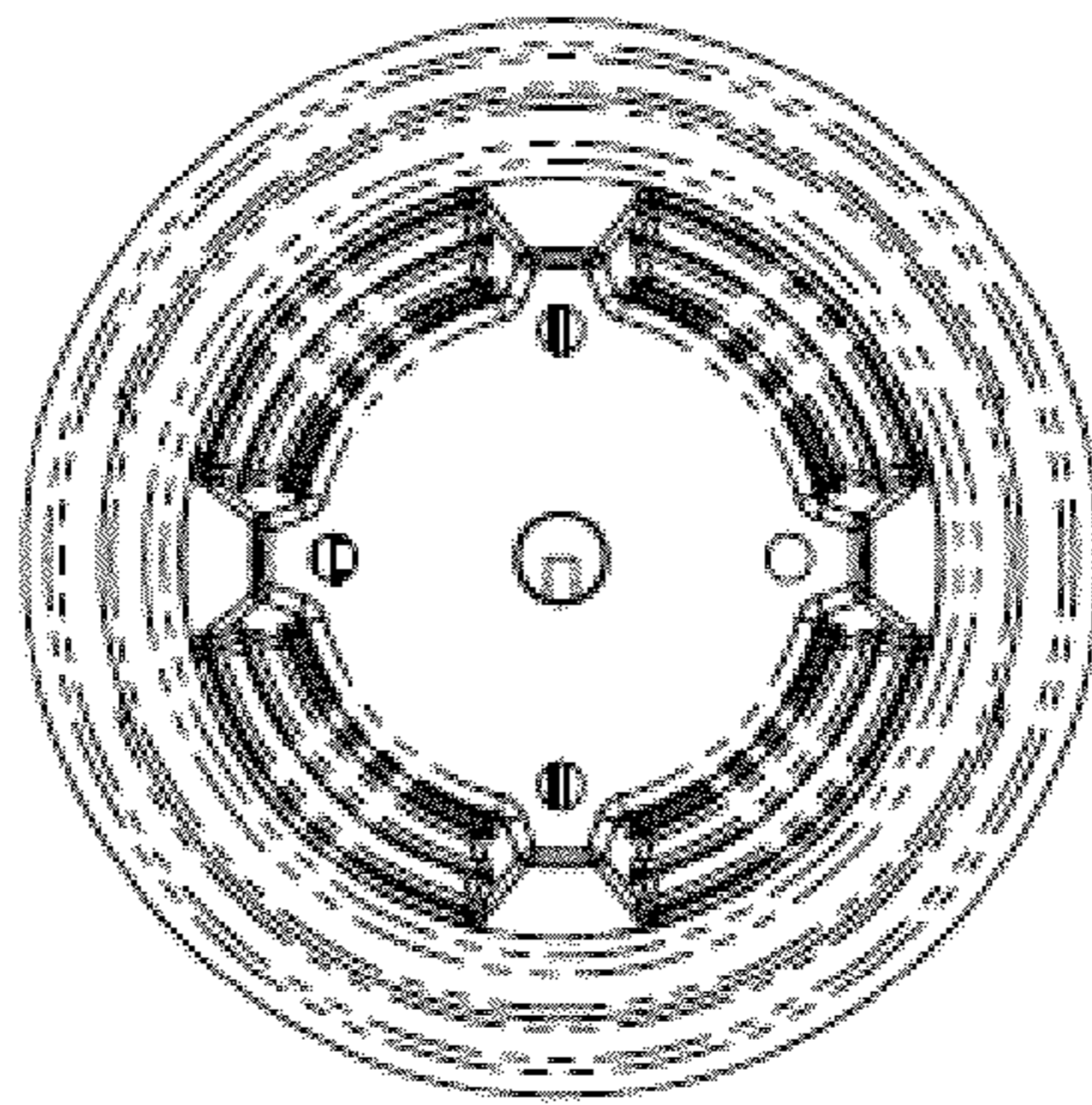


FIG. 5

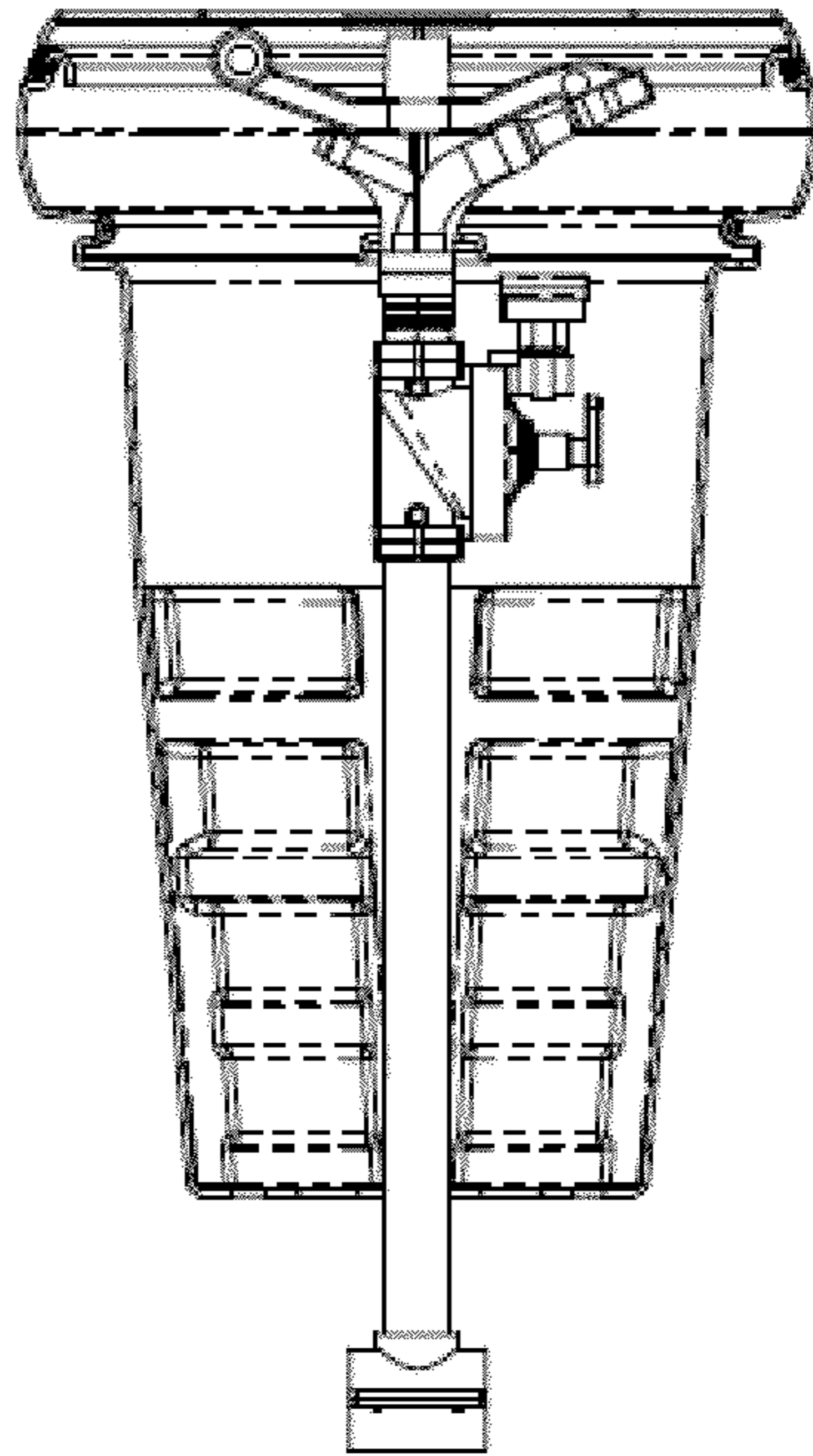


FIG. 6

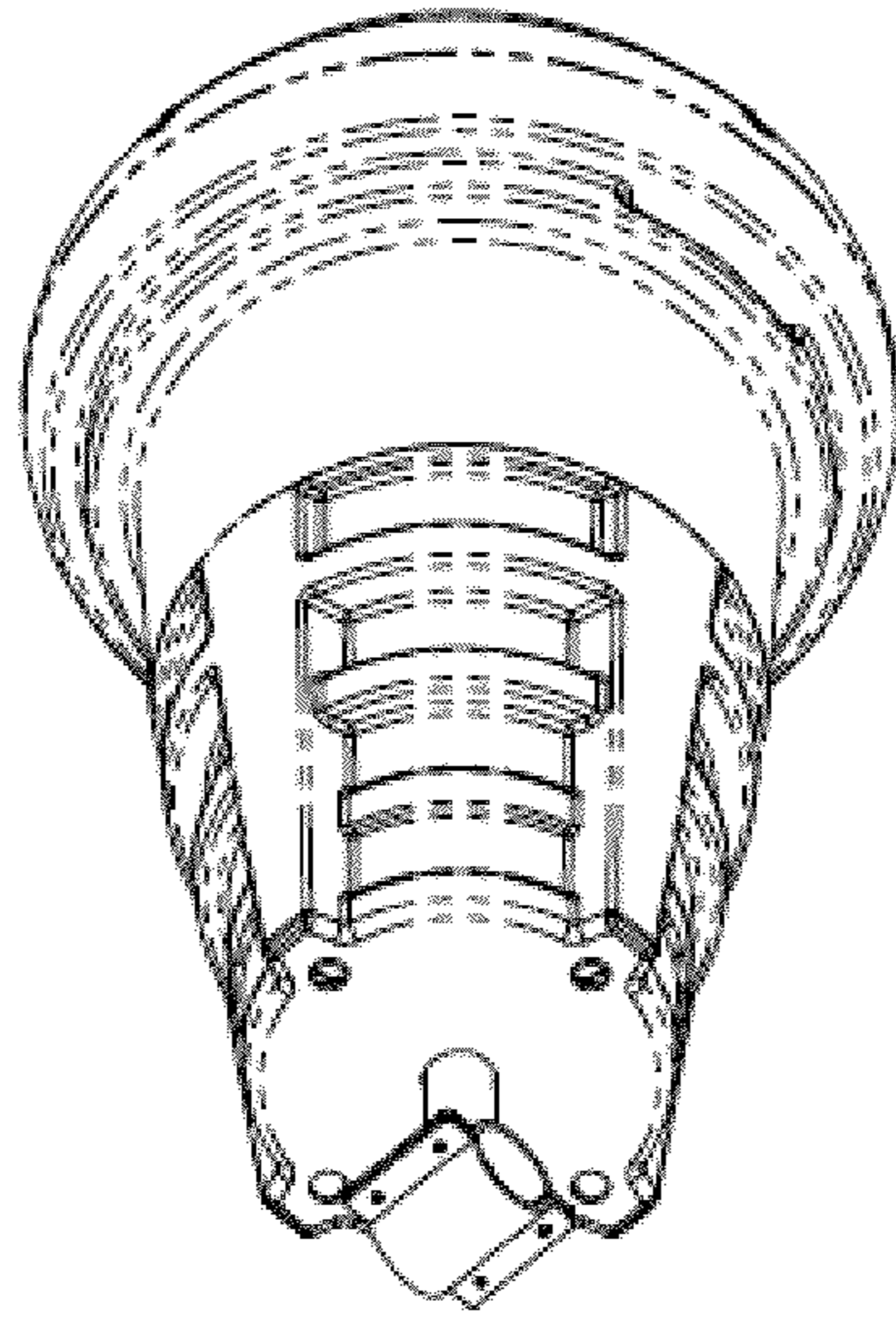


FIG. 7