



US00D708699S

(12) **United States Design Patent**  
**Spraw et al.**

(10) **Patent No.:** **US D708,699 S**  
(45) **Date of Patent:** **\*\* Jul. 8, 2014**

(54) **FLUID APPLICATOR**

(71) Applicants: **Bradley Alan Spraw**, Maumee, OH  
(US); **Craig A. Williams**, Maumee, OH  
(US)

(72) Inventors: **Bradley Alan Spraw**, Maumee, OH  
(US); **Craig A. Williams**, Maumee, OH  
(US)

(73) Assignee: **Designetics, Inc.**, Holland, OH (US)

(\*\*) Term: **14 Years**

(21) Appl. No.: **29/465,130**

(22) Filed: **Aug. 23, 2013**

(51) **LOC (10) Cl.** ..... **23-01**

(52) **U.S. Cl.**  
USPC ..... **D23/213**

(58) **Field of Classification Search**  
USPC ..... D23/213; D9/723, 724; 239/589, 597,  
239/601; 401/55, 266, 205, 206; 118/264  
See application file for complete search history.

(56) **References Cited**

**U.S. PATENT DOCUMENTS**

D372,070 S \* 7/1996 Zak et al. .... D23/213  
6,981,664 B1 \* 1/2006 Fugere ..... 239/591

D535,721 S \* 1/2007 Ford et al. .... D23/213  
D567,899 S \* 4/2008 Rigolio ..... D23/213  
7,708,211 B2 \* 5/2010 Maier et al. .... 239/456  
D639,903 S \* 6/2011 Plotzitzka et al. .... D23/213  
D667,530 S \* 9/2012 Wyne ..... D23/213  
D670,357 S \* 11/2012 Lang et al. .... D23/213

\* cited by examiner

*Primary Examiner* — Robin V Webster

(74) *Attorney, Agent, or Firm* — Donald K. Wedding

(57) **CLAIM**

The ornamental design for a fluid applicator, as shown and described.

**DESCRIPTION**

FIG. 1 is a perspective view of our ornamental design for a fluid applicator containing four holes radially spaced 90° apart around the distal end, two of which are shown. Two additional holes are located on the opposite perspective side view which is identical to FIG. 1.

FIG. 2 is a top view of our design shown in FIG. 1.

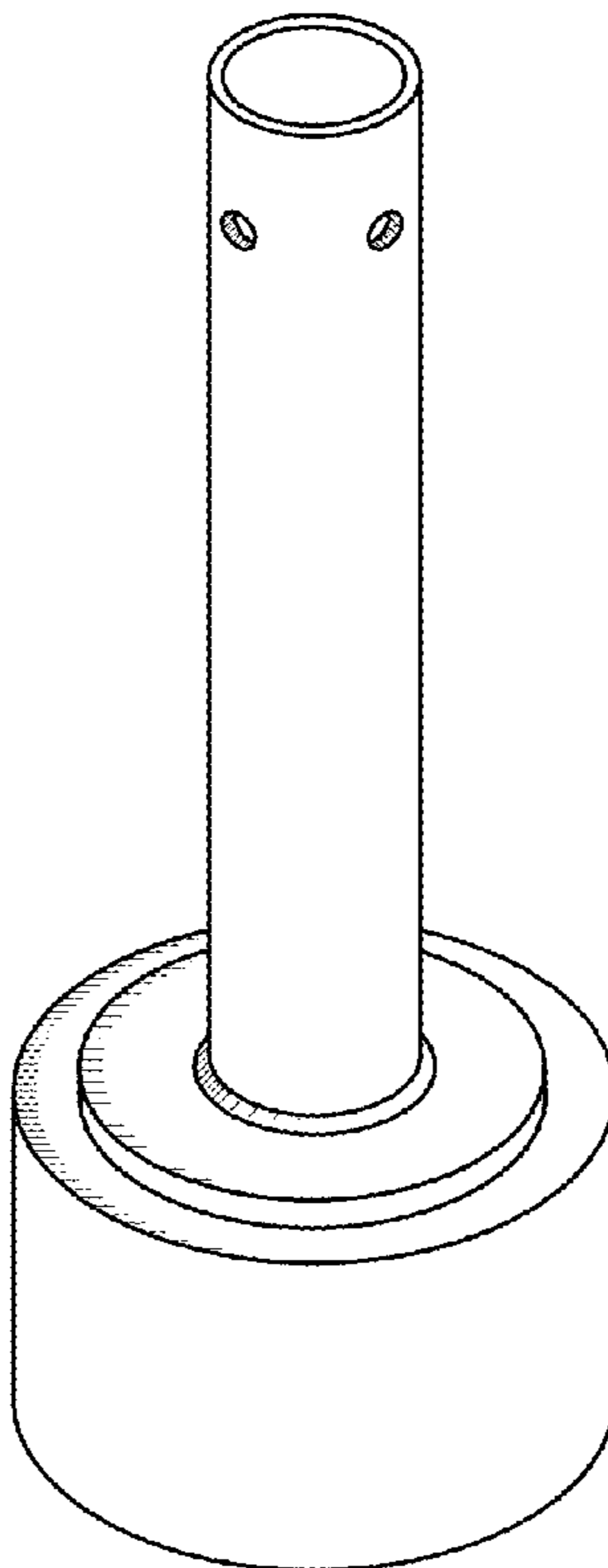
FIG. 3 is a side plan view of our design showing one hole, with the other side plan views being identical; and,

FIG. 4 is a bottom view of our design shown in FIG. 1.

The fluid applicator is used to apply a fluid to a surface.

The applicator is open at the top end straight through up to and including the bottom end.

**1 Claim, 2 Drawing Sheets**



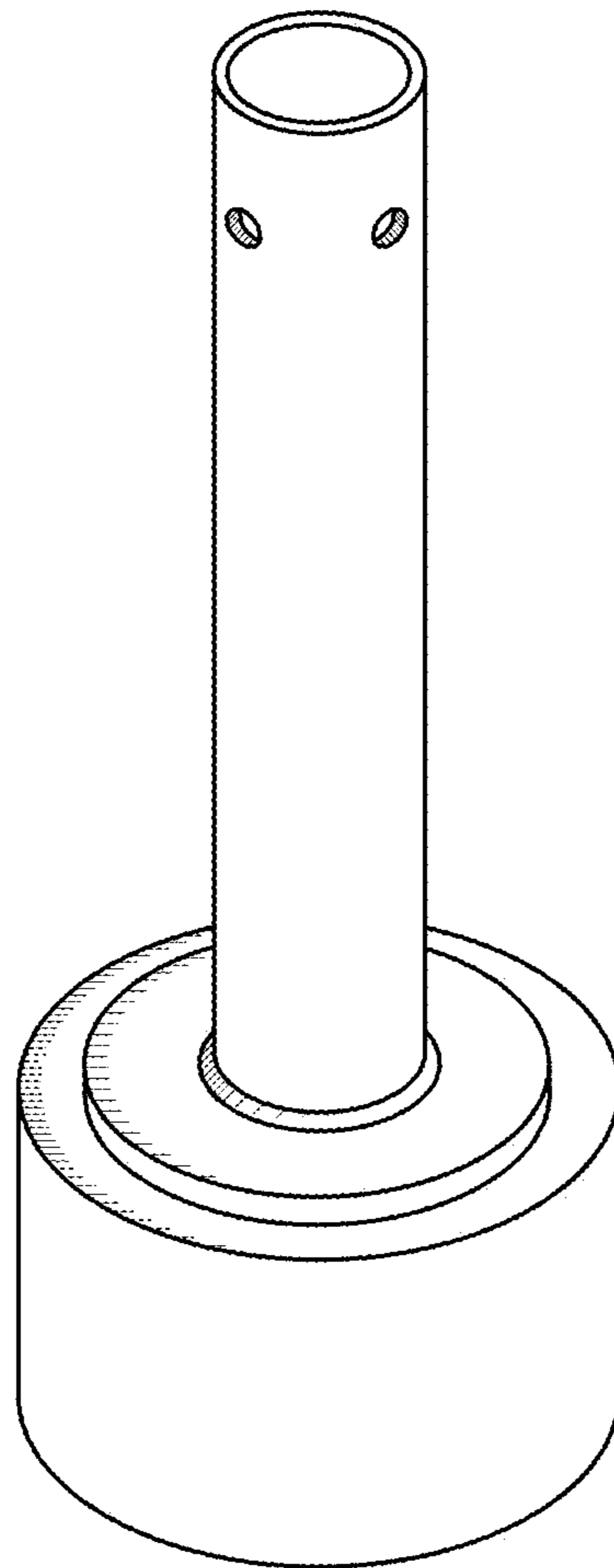


FIG 1

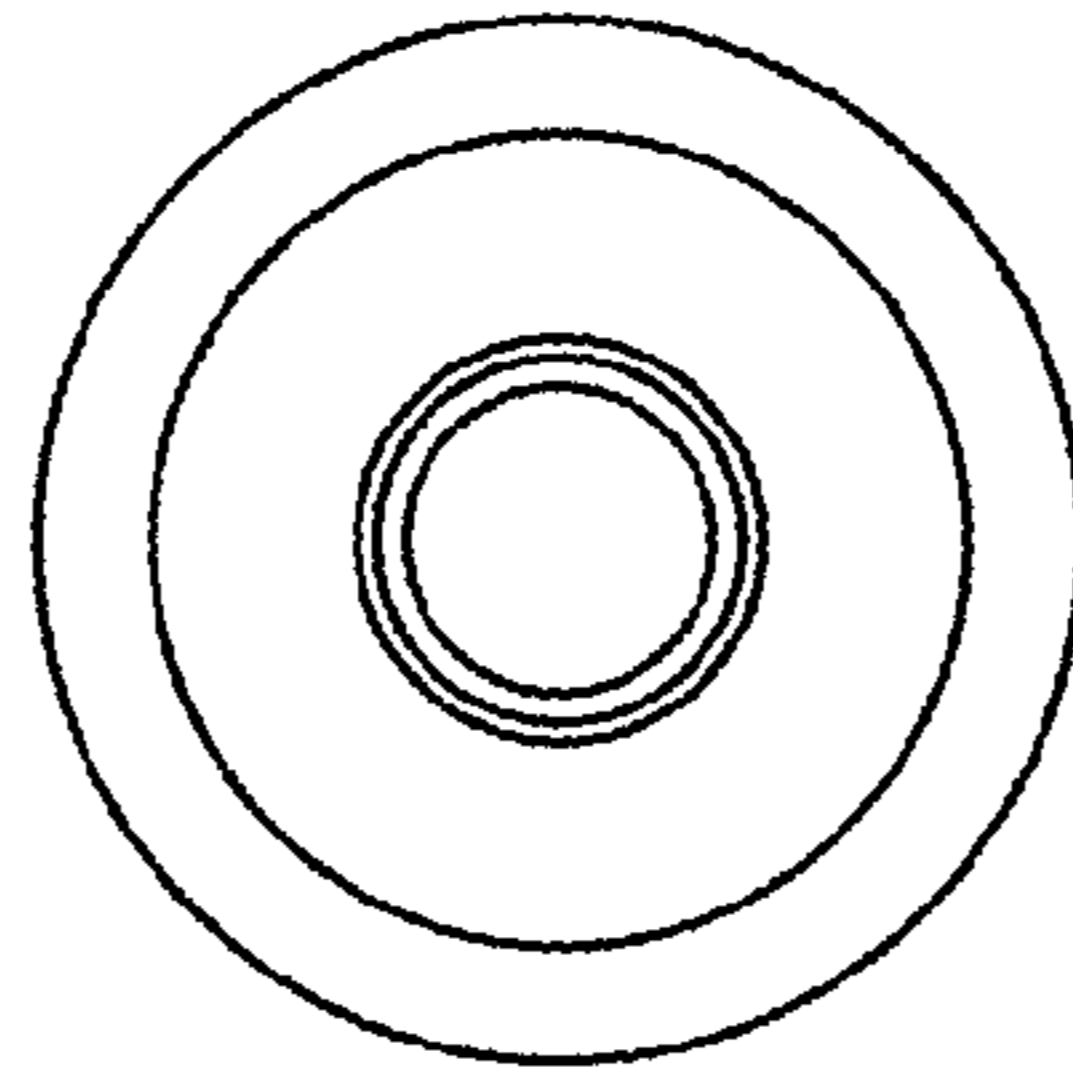


FIG. 2

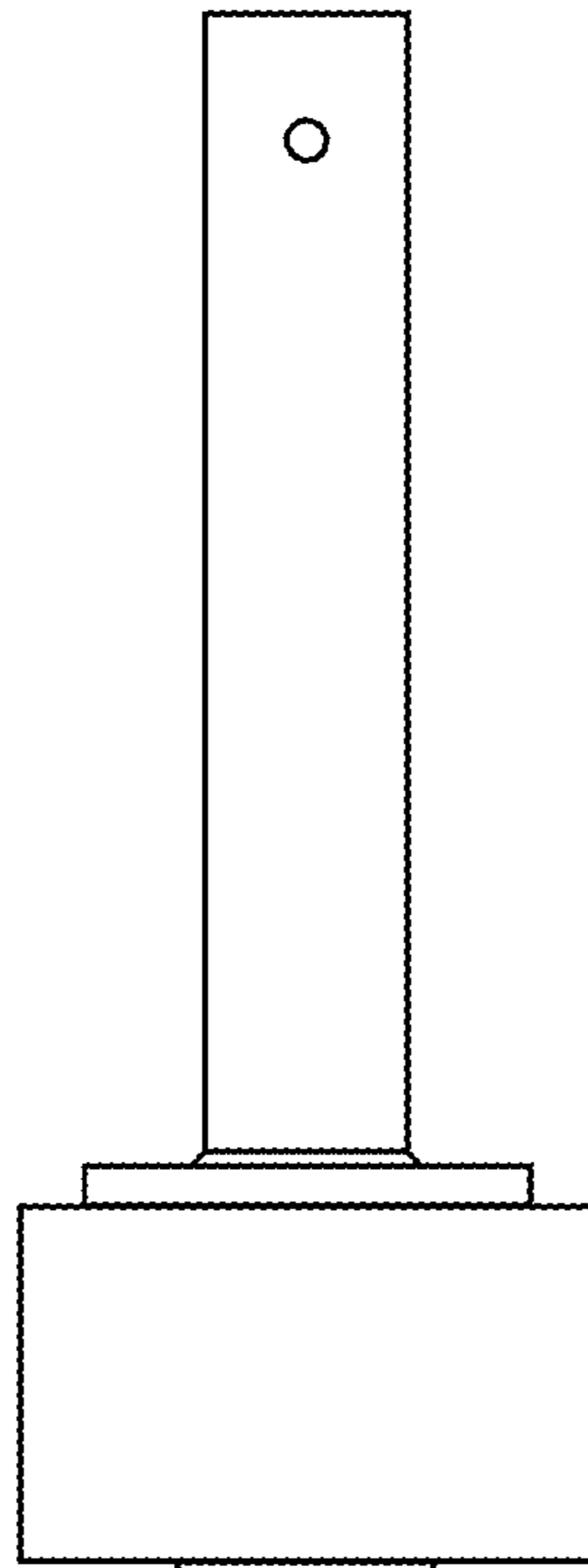


FIG. 3

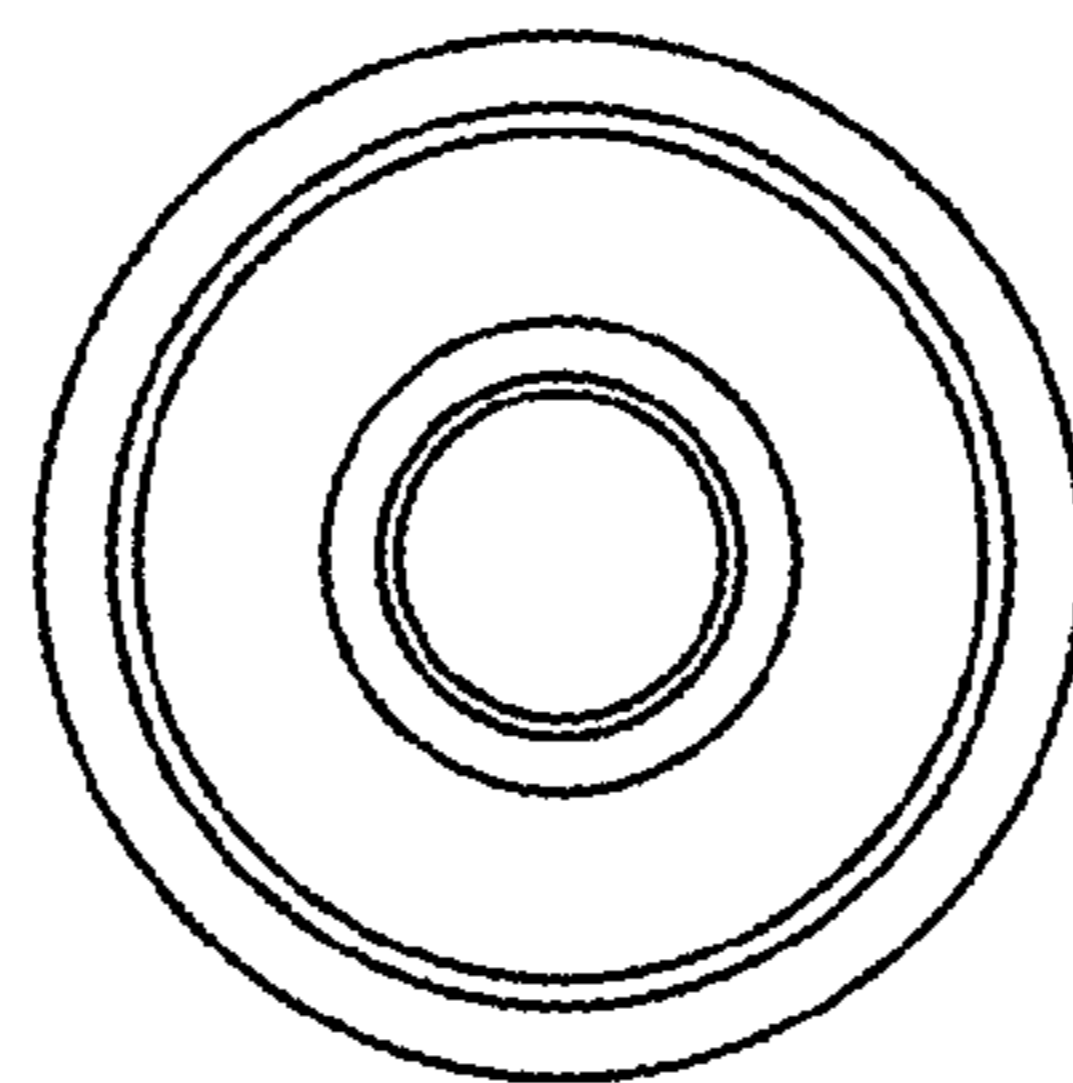


FIG. 4