



US00D708697S

(12) **United States Design Patent**
Achten

(10) **Patent No.:** **US D708,697 S**
(45) **Date of Patent:** **** Jul. 8, 2014**

(54) **TARGET STAND**

(71) Applicant: **Robert Edward Achten**, Casa Grande,
AZ (US)

(72) Inventor: **Robert Edward Achten**, Casa Grande,
AZ (US)

(**) Term: **14 Years**

(21) Appl. No.: **29/478,939**

(22) Filed: **Jan. 9, 2014**

(51) **LOC (10) Cl.** **22-01**

(52) **U.S. Cl.**
USPC **D22/199**

(58) **Field of Classification Search**
USPC D22/199; D25/35, 39, 42-44, 58, 100,
D25/126-128, 199; D20/10-19, 39, 41, 99;
273/127 R, 407, 348, 331;
211/189-193; 52/264, 270-272, 292,
52/293.3; D21/302, 790

See application file for complete search history.

(56) **References Cited**

U.S. PATENT DOCUMENTS

| | | | |
|-------------------|---------|----------------------|-----------|
| 4,329,800 A * | 5/1982 | Shuman | 40/606.14 |
| D582,986 S * | 12/2008 | Sanchez | D20/19 |
| 2003/0003424 A1 * | 1/2003 | Shechter et al. | 434/21 |
| 2014/0041267 A1 * | 2/2014 | Diercks | 40/607.05 |

* cited by examiner

Primary Examiner — Michael A Pratt

(74) *Attorney, Agent, or Firm* — QuickPatents; Kevin Prince

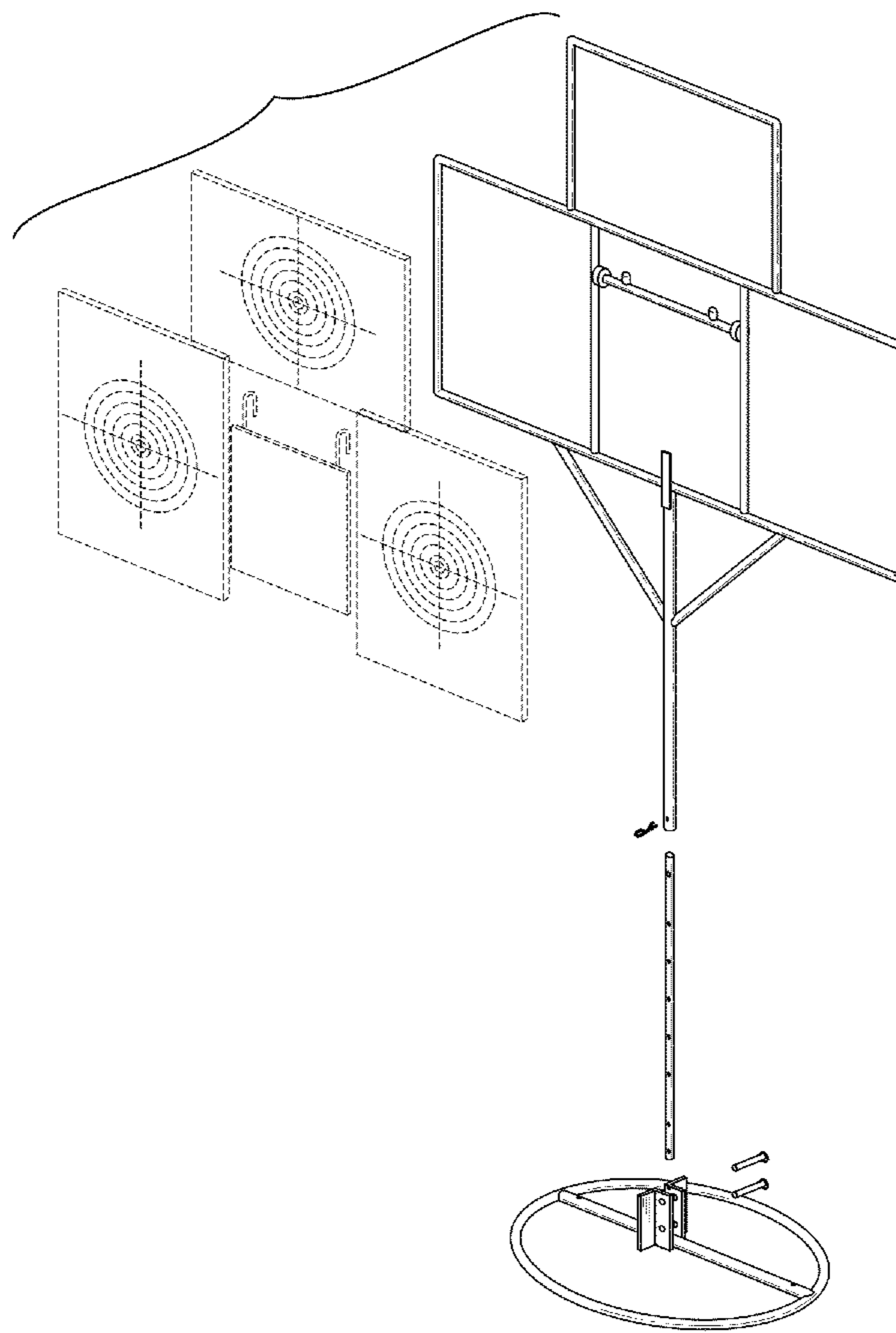
(57) **CLAIM**

I claim the ornamental design for a target stand, as shown and described.

DESCRIPTION

FIG. 1 is an exploded front perspective view of a target stand, showing my new design;
FIG. 2 is a rear perspective view thereof;
FIG. 3 is a front elevational view thereof;
FIG. 4 is a rear elevational view thereof;
FIG. 5 is a left-side elevational view thereof;
FIG. 6 is a rear elevational view thereof;
FIG. 7 is a top plan view thereof; and,
FIG. 8 is a bottom plan view thereof.
The broken lines showing targets and target mounting boards in FIG. 1 depict environmental matter and form no part of the claimed design.

1 Claim, 4 Drawing Sheets



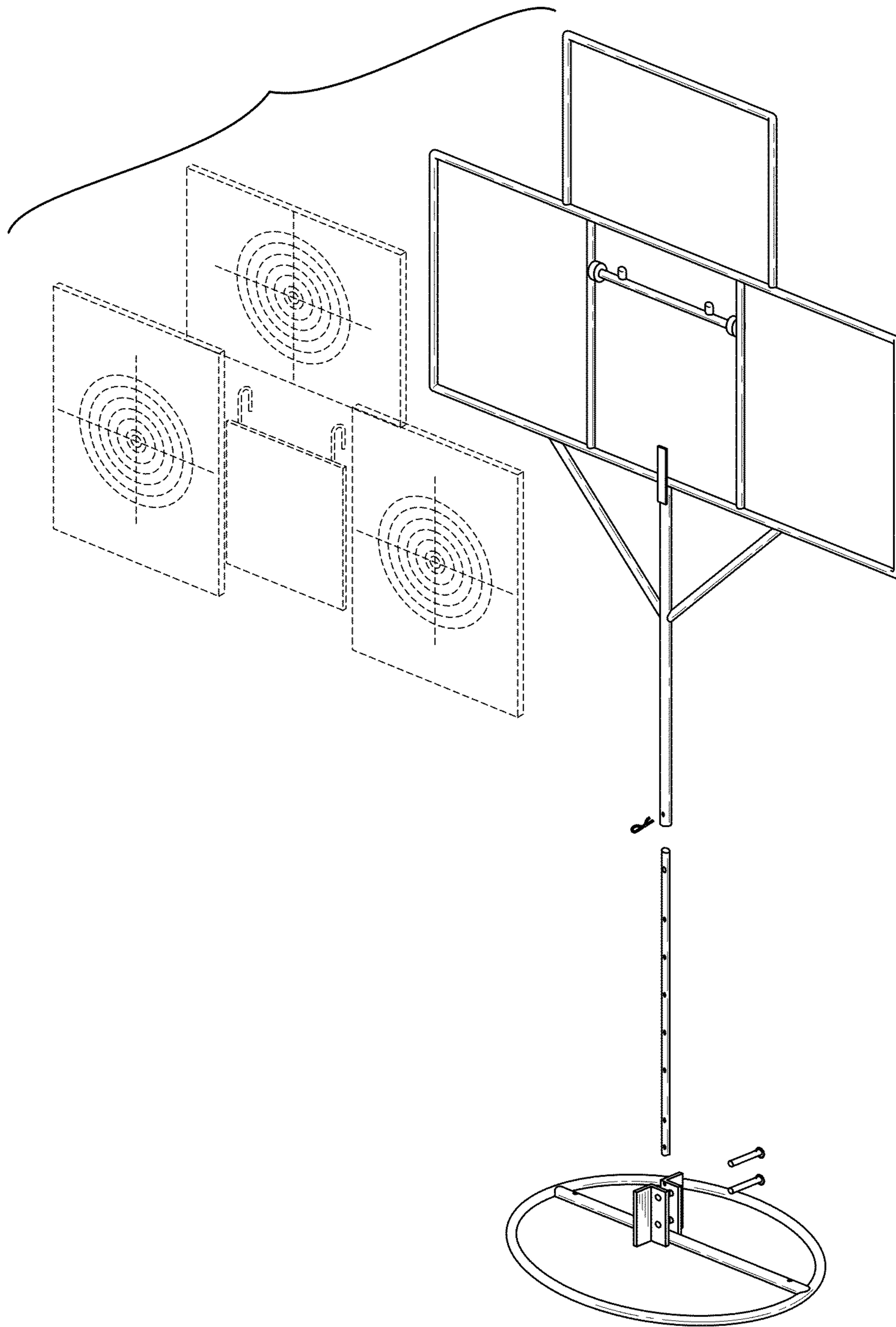


FIG. 1

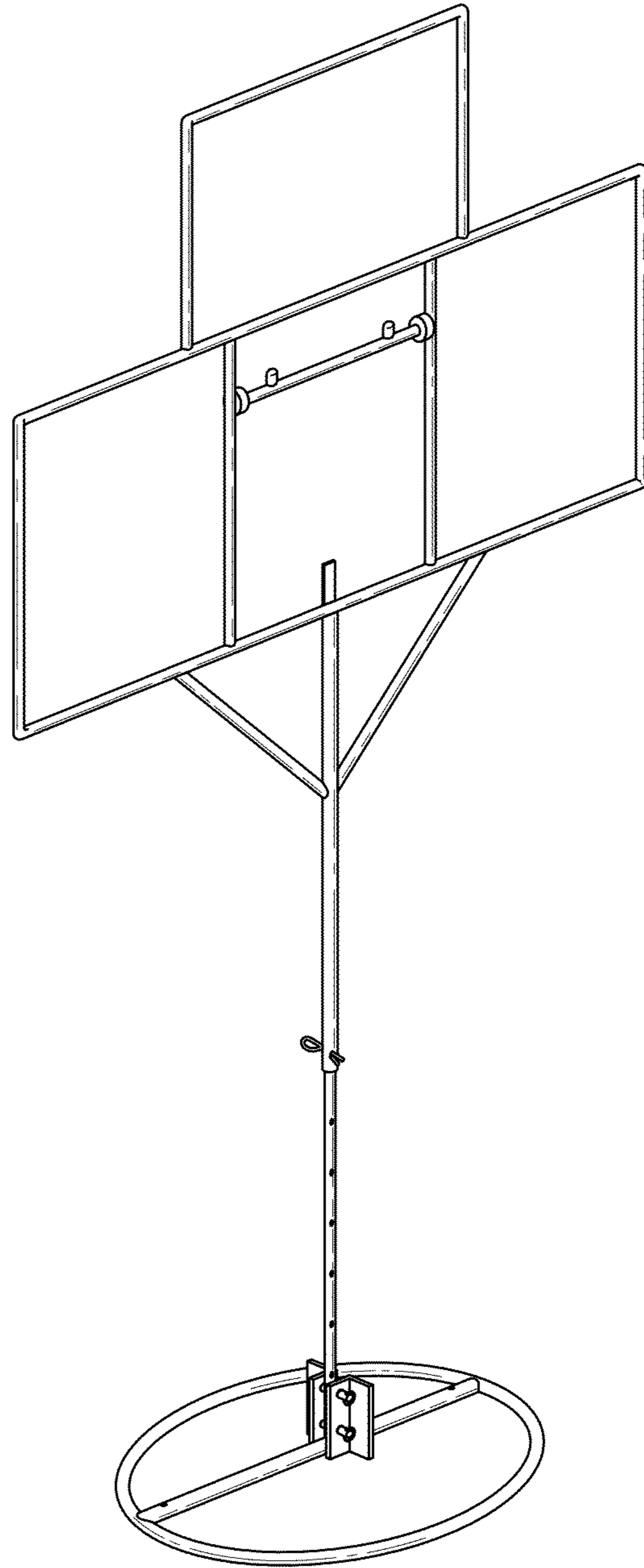


FIG. 2

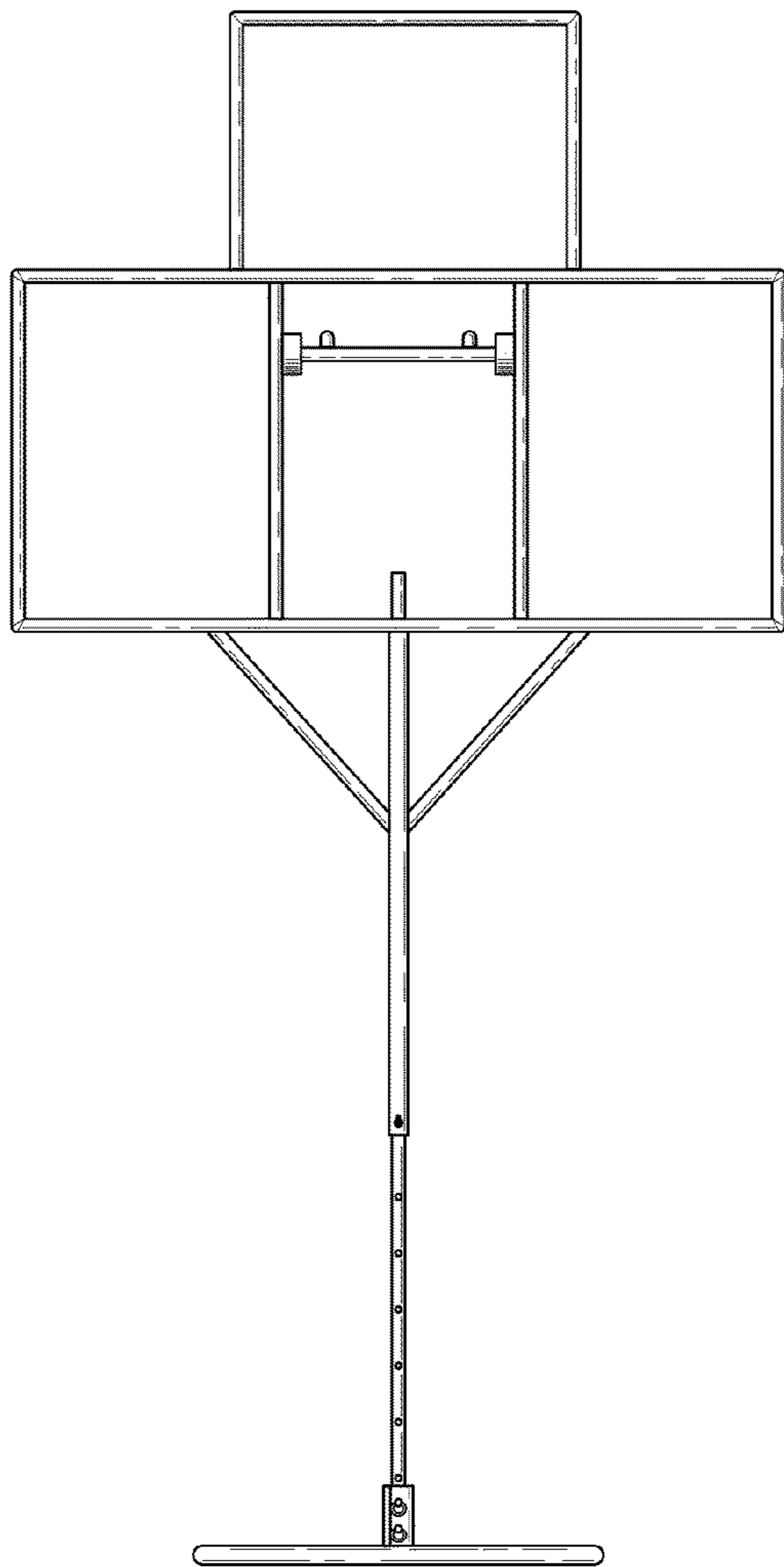


FIG. 3

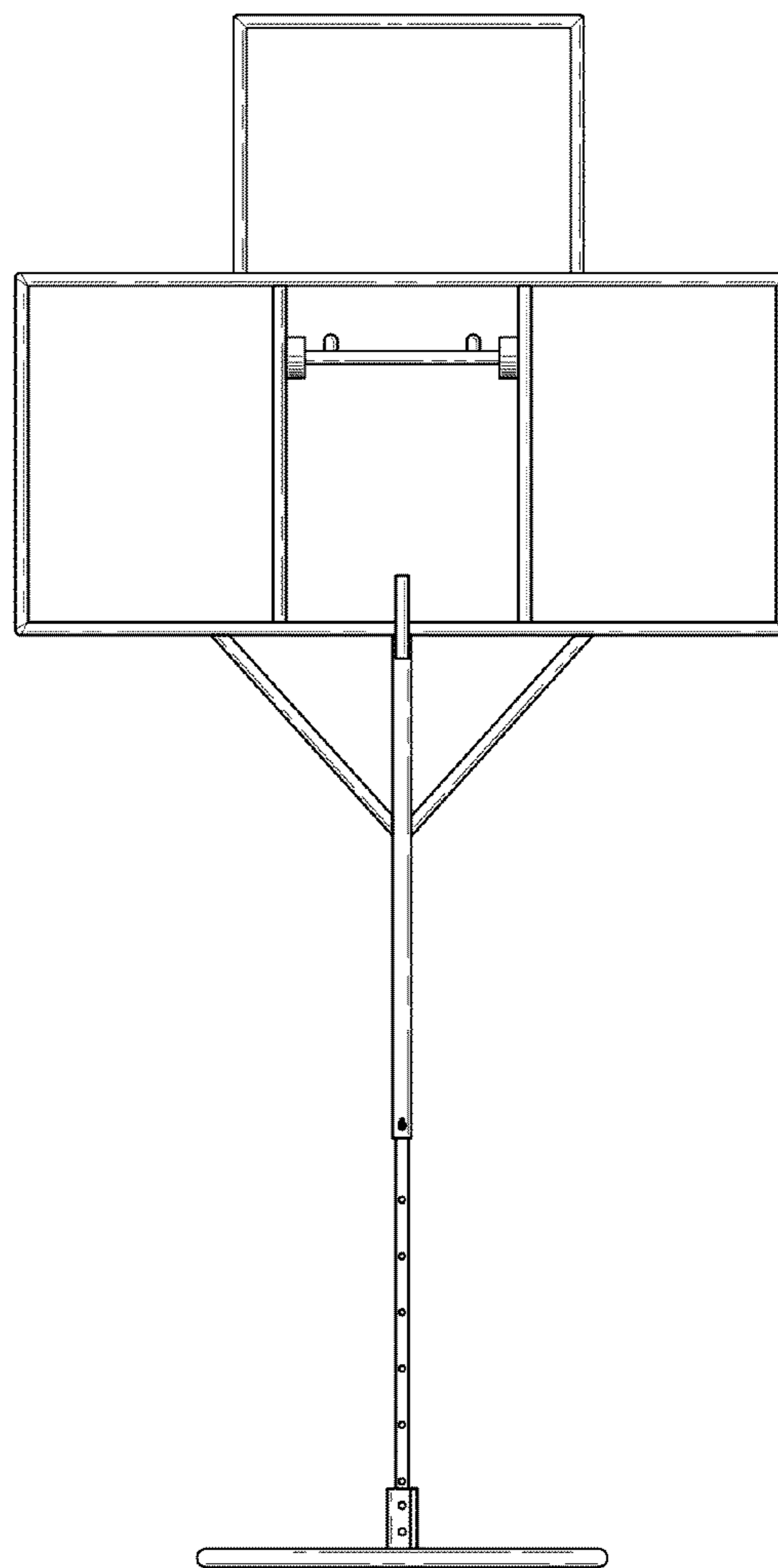


FIG. 4

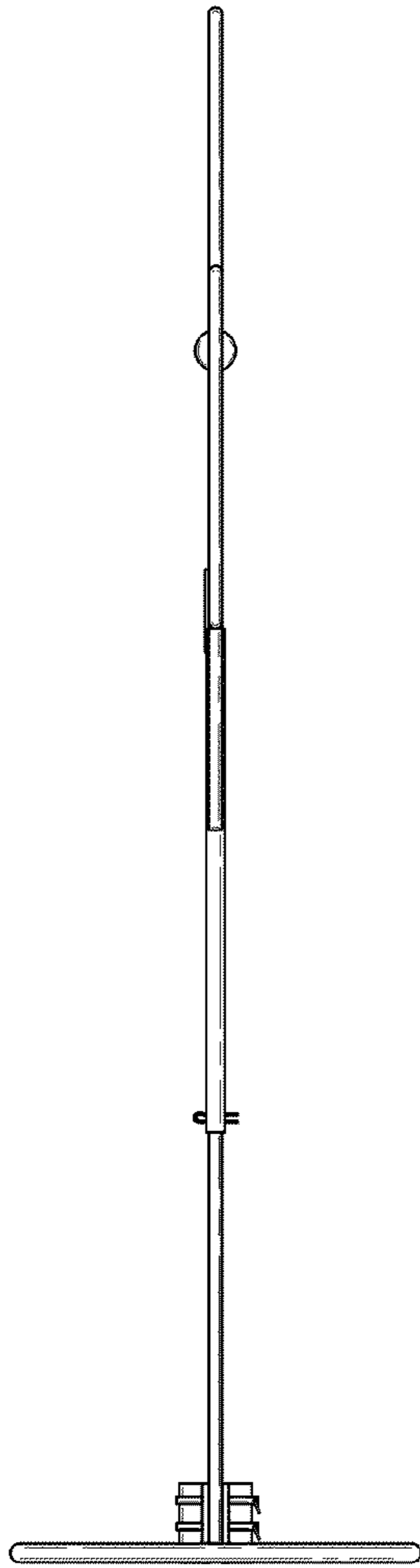


FIG. 5

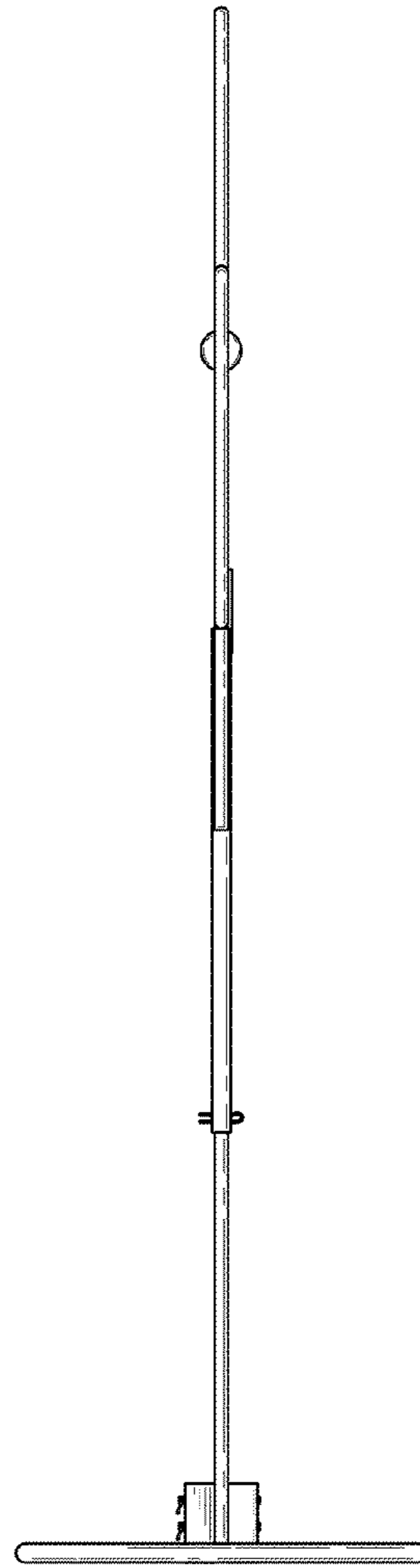


FIG. 6

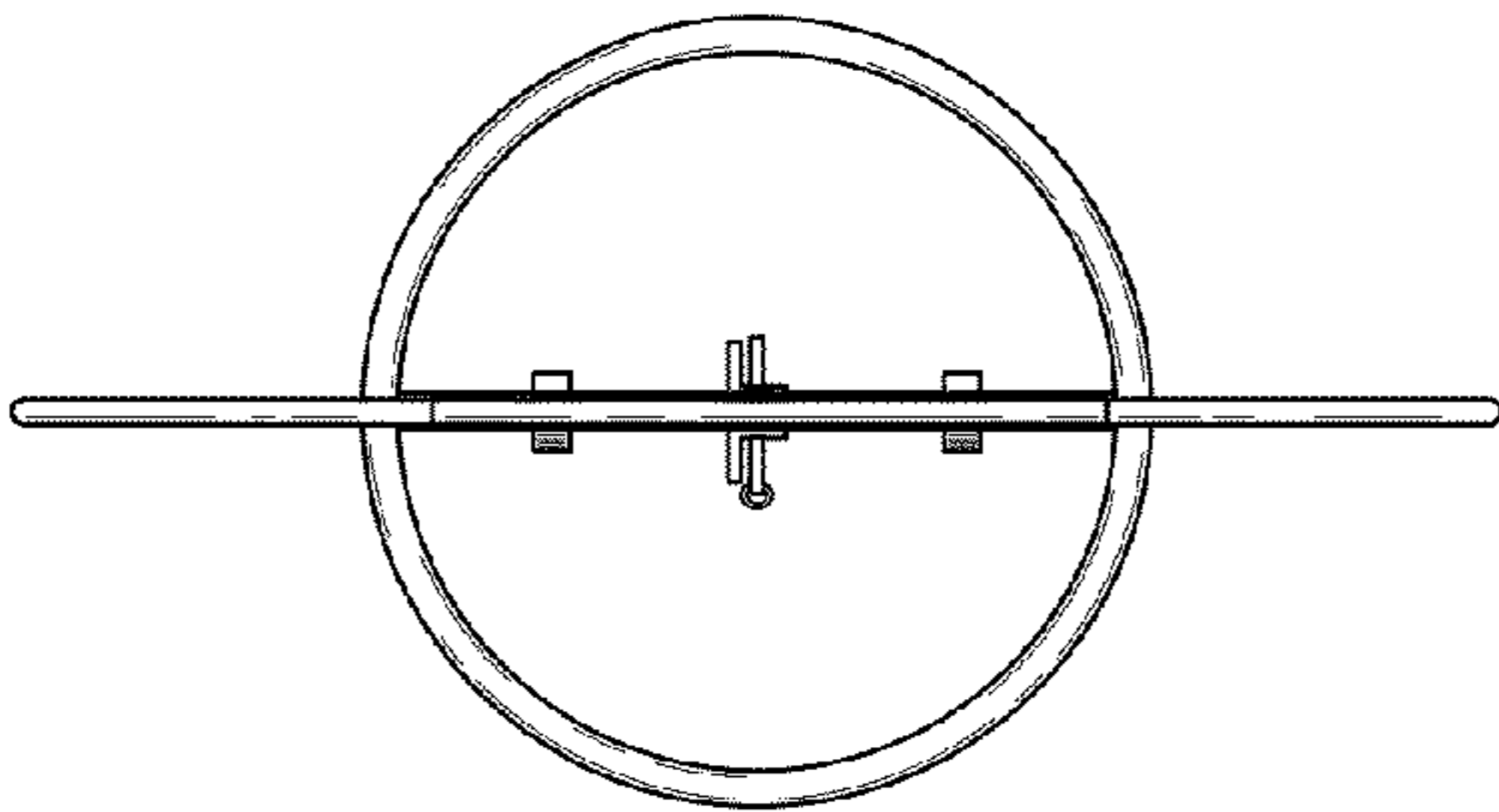


FIG. 7

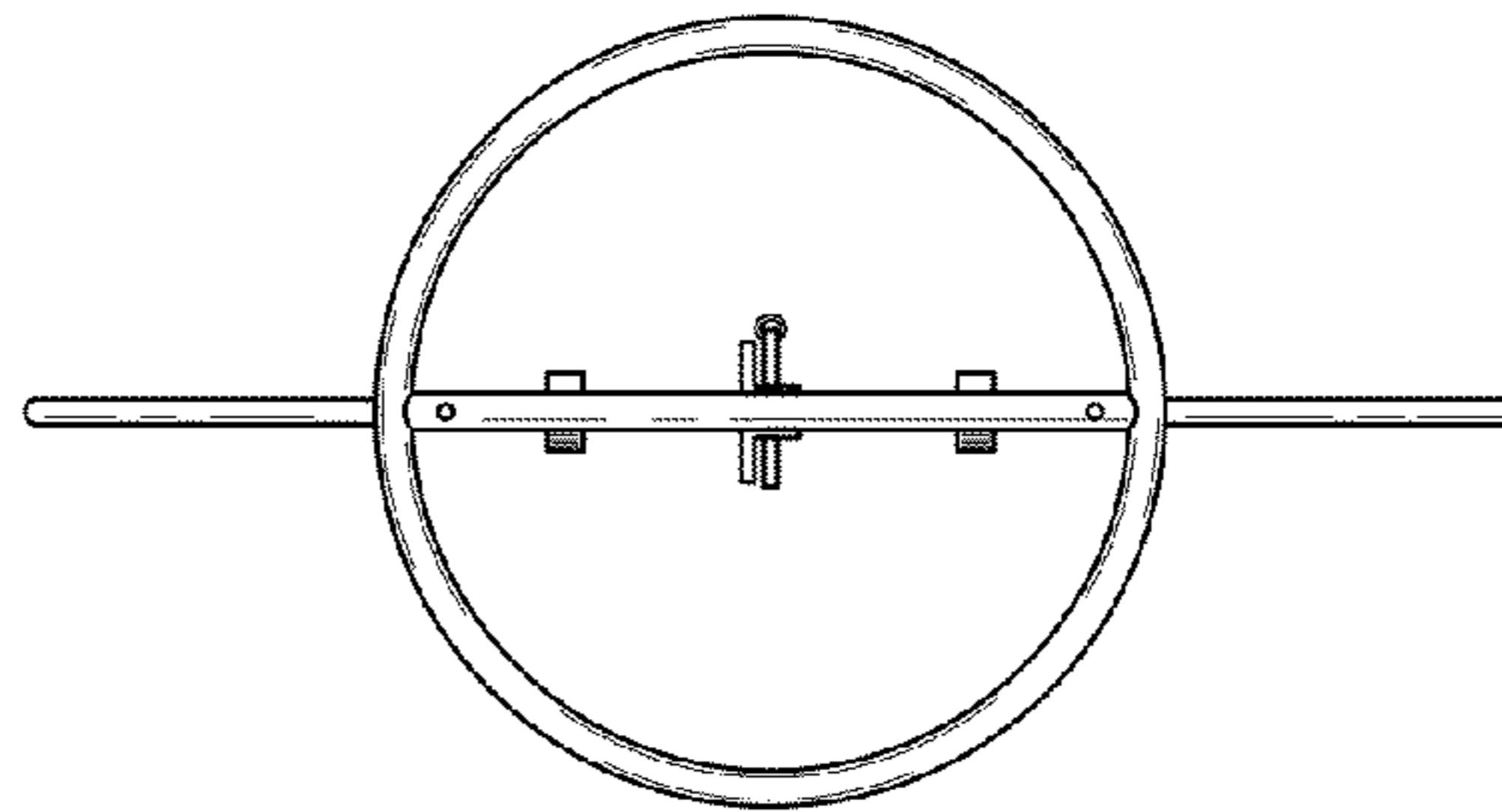


FIG. 8