



US00D708696S

(12) **United States Design Patent**  
**Corbett, Jr.**

(10) **Patent No.:** **US D708,696 S**  
(45) **Date of Patent:** **\*\* Jul. 8, 2014**

(54) **CUTTING GUIDE FOR FISHING BAIT**

(71) Applicant: **Stephen L. Corbett, Jr.**, Gloucester,  
MA (US)

(72) Inventor: **Stephen L. Corbett, Jr.**, Gloucester,  
MA (US)

(\*\*) Term: **14 Years**

(21) Appl. No.: **29/470,882**

(22) Filed: **Oct. 25, 2013**

(51) **LOC (10) Cl.** ..... **22-05**

(52) **U.S. Cl.**  
USPC ..... **D22/134**

(58) **Field of Classification Search**  
USPC ..... D22/134, 149, 199; D7/698-699;  
33/549; 43/42.53; 69/2; 83/455, 468.1;  
99/537, 539; 30/304

See application file for complete search history.

(56) **References Cited**

**U.S. PATENT DOCUMENTS**

2,559,434	A *	7/1951	Hyland	.....	33/549
D654,333	S *	2/2012	Aguirre	.....	D7/698
8,286,550	B2 *	10/2012	Sherrill et al.	.....	99/537
D689,349	S *	9/2013	Grandone	.....	D7/698

\* cited by examiner

*Primary Examiner* — Catheri Oliver-Garcia

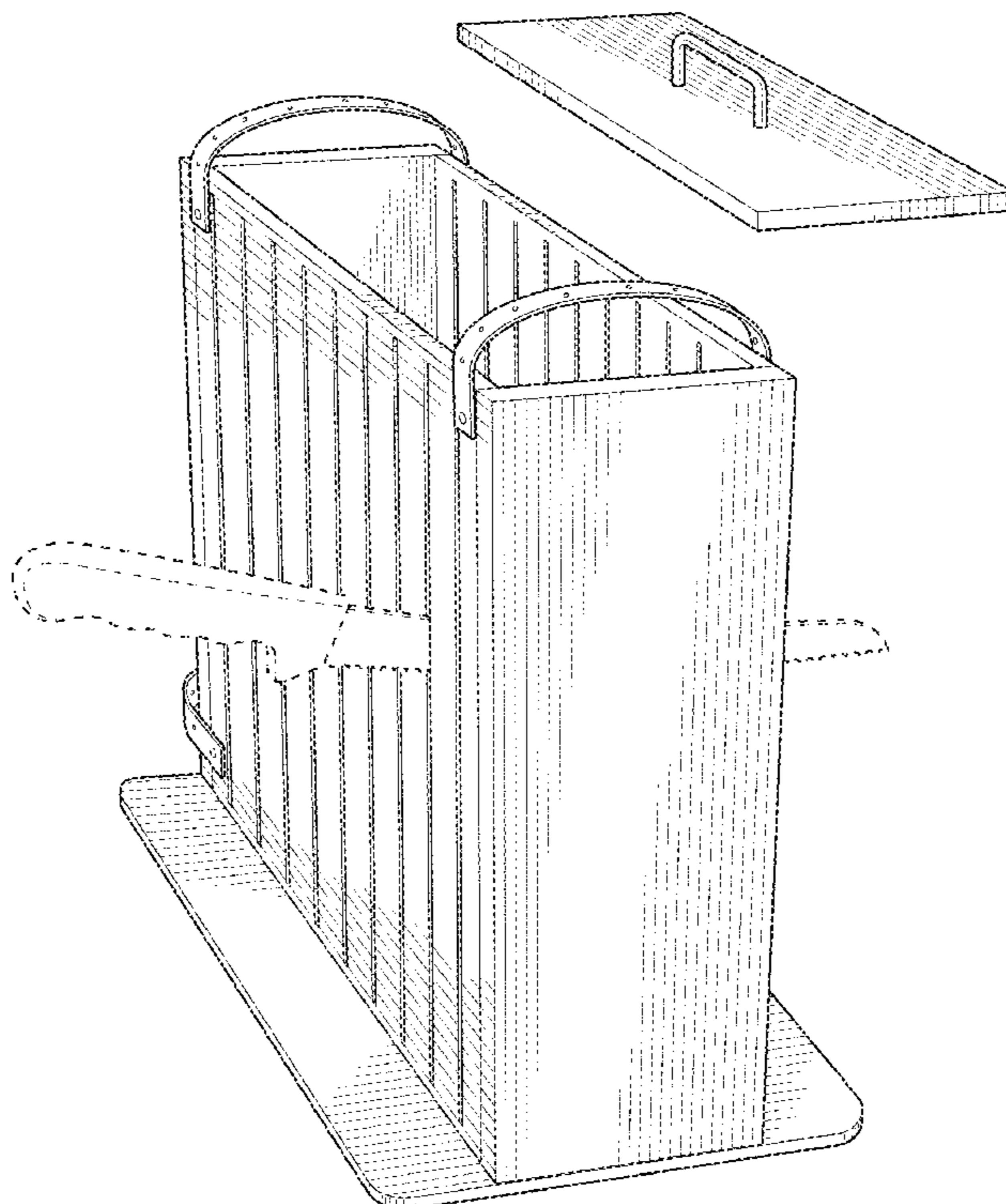
(74) *Attorney, Agent, or Firm* — O'Connell Law Firm;  
Thomas P. O'Connell

(57) **CLAIM**  
I claim the ornamental design for a cutting guide for fishing  
bait, as shown.

**DESCRIPTION**

FIG. 1 is a perspective view of cutting guide for fishing bait  
showing my new design;  
FIG. 2 is a view in front elevation of the cutting guide for  
fishing bait of FIG. 1;  
FIG. 3 is a view in rear elevation of the cutting guide for  
fishing bait of FIG. 1;  
FIG. 4 is a view in right side elevation of the cutting guide for  
fishing bait of FIG. 1;  
FIG. 5 is a view in left side elevation of the cutting guide for  
fishing bait of FIG. 1;  
FIG. 6 is a top plan view of cutting guide for fishing bait of  
FIG. 1;  
FIG. 7 is a bottom plan view of the cutting guide for fishing  
bait of FIG. 1;  
FIG. 8 is a perspective view of an alternative cutting guide for  
fishing bait according to the invention that is identical to the  
embodiment of FIGS. 1-7 but for the number of guide slots;  
and,  
FIG. 9 is a perspective view of another alternative cutting  
guide for fishing bait according to the invention that is iden-  
tical to the embodiment of FIGS. 1-7 but for the number of  
guide slots and the inclusion of lateral guide slots.  
The broken lines in the drawings are for illustrative purposes  
only and form no part of the claimed invention.

**1 Claim, 9 Drawing Sheets**



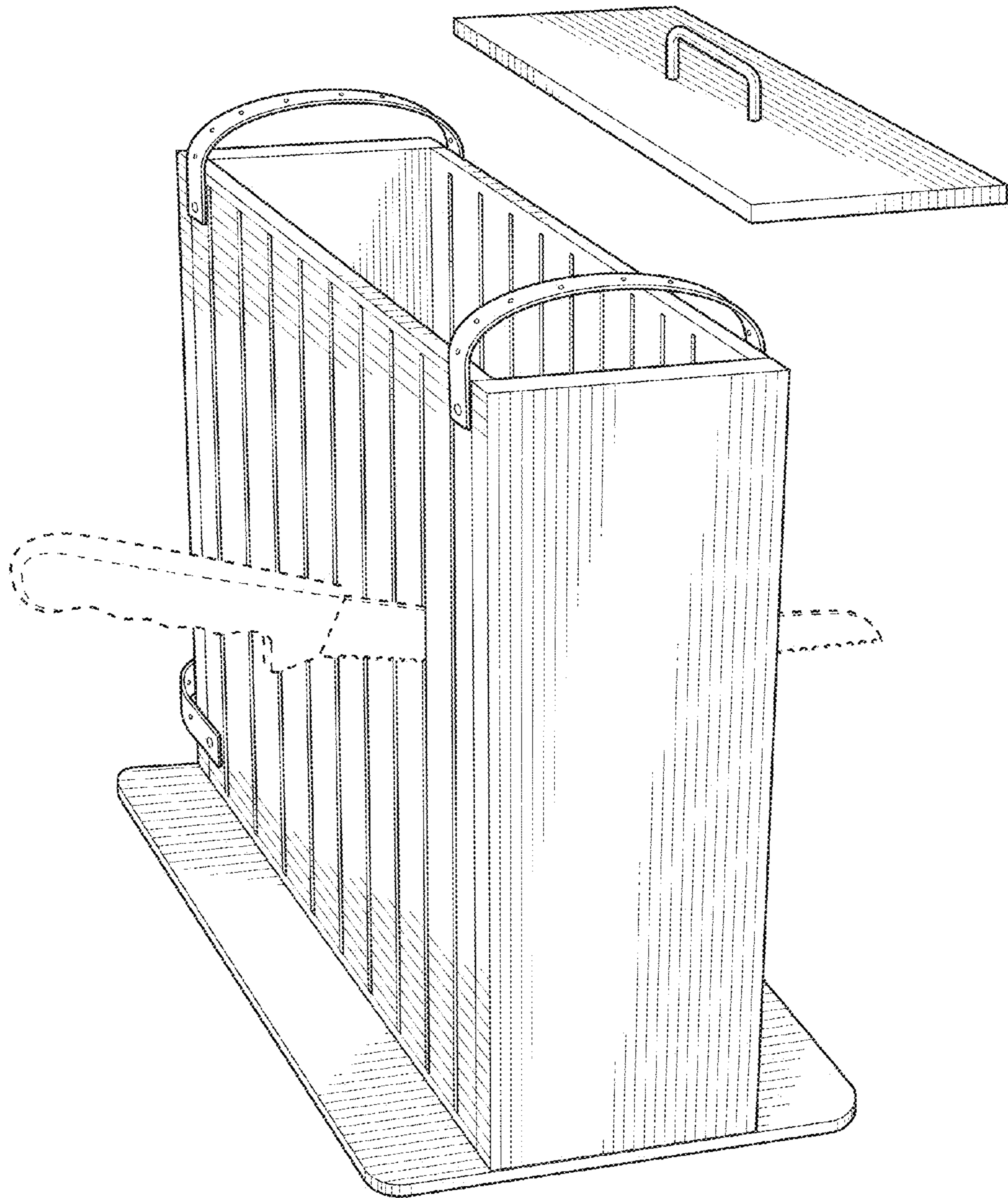


FIG. 1

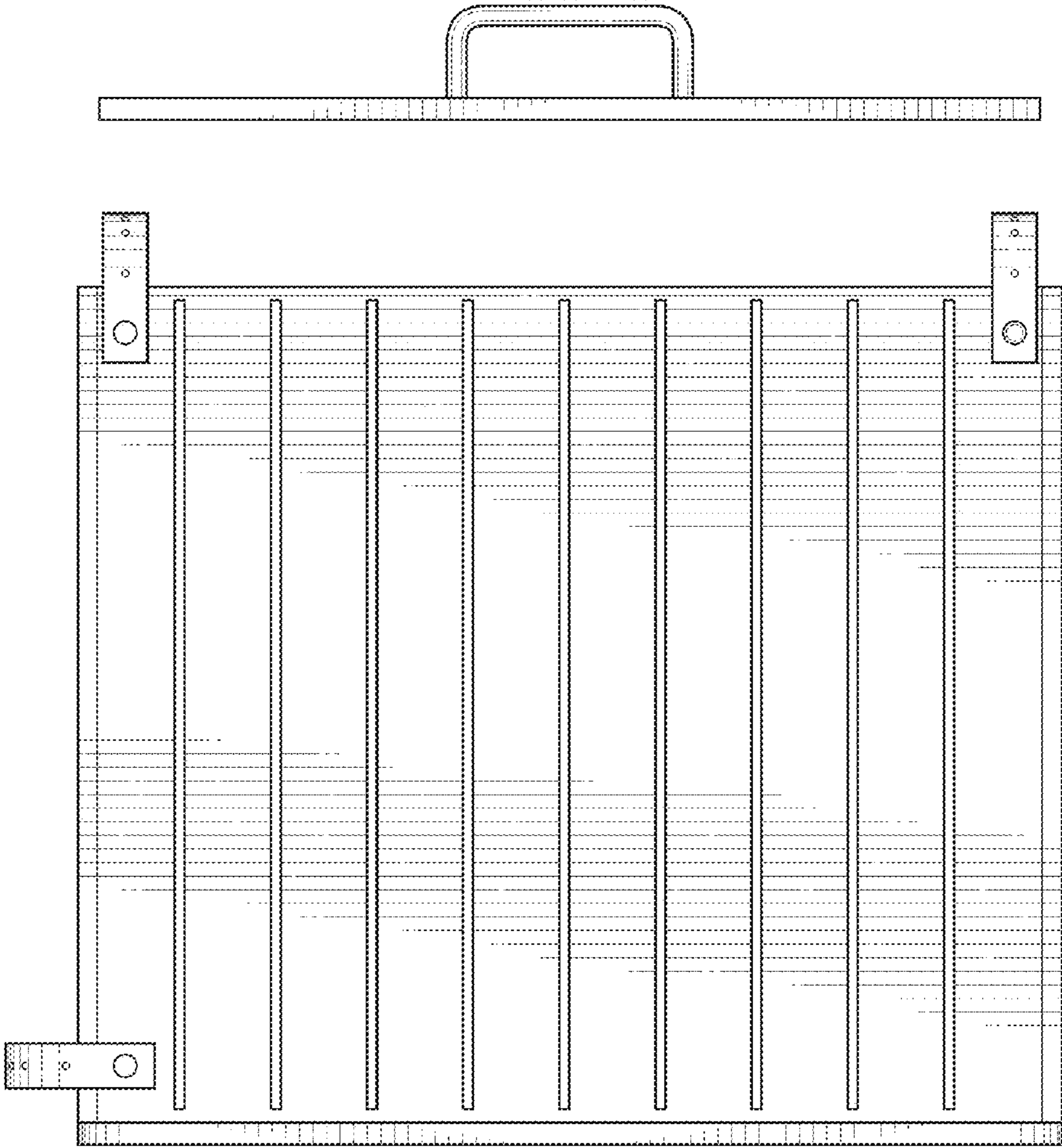


FIG. 2

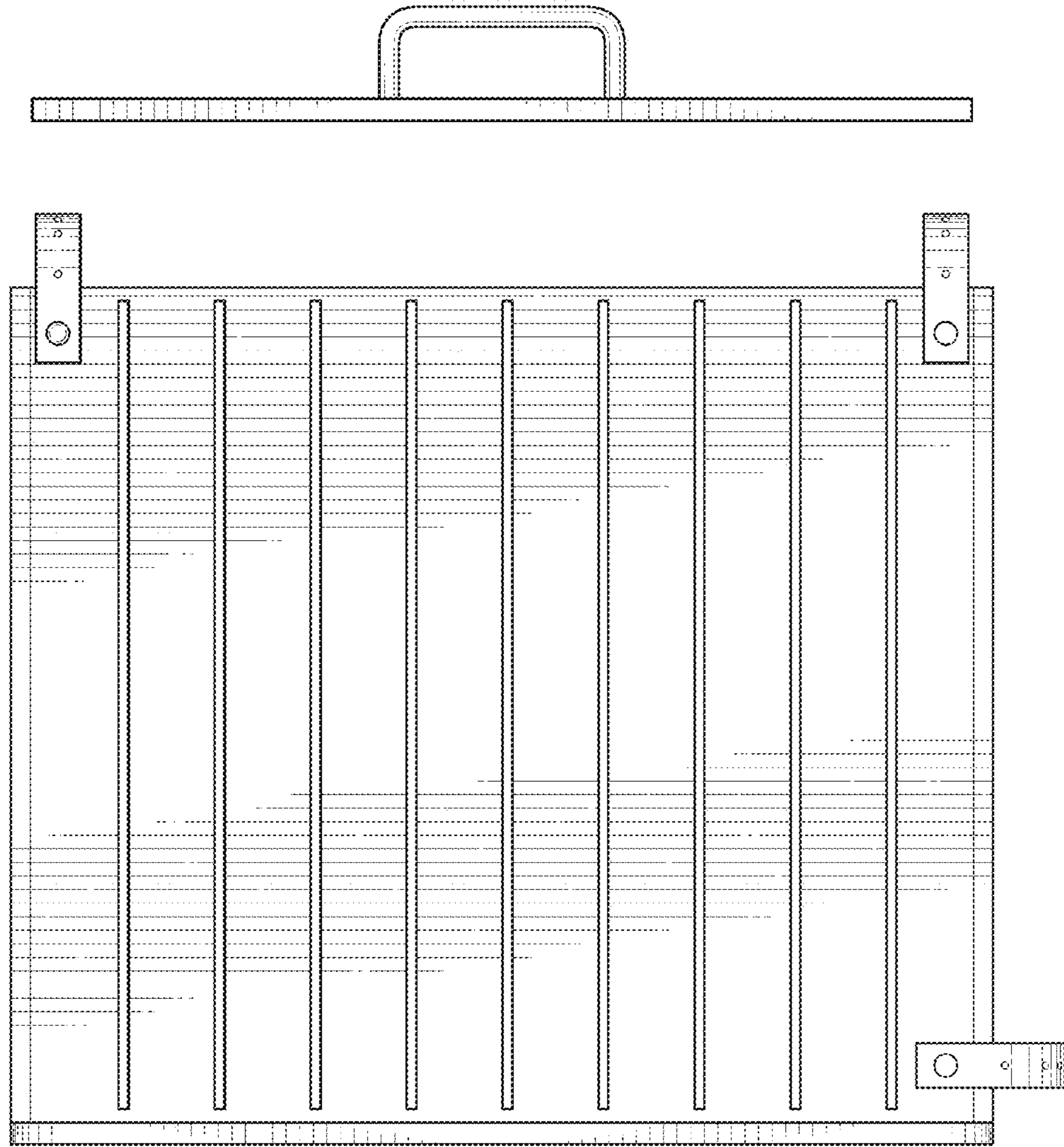


FIG. 3

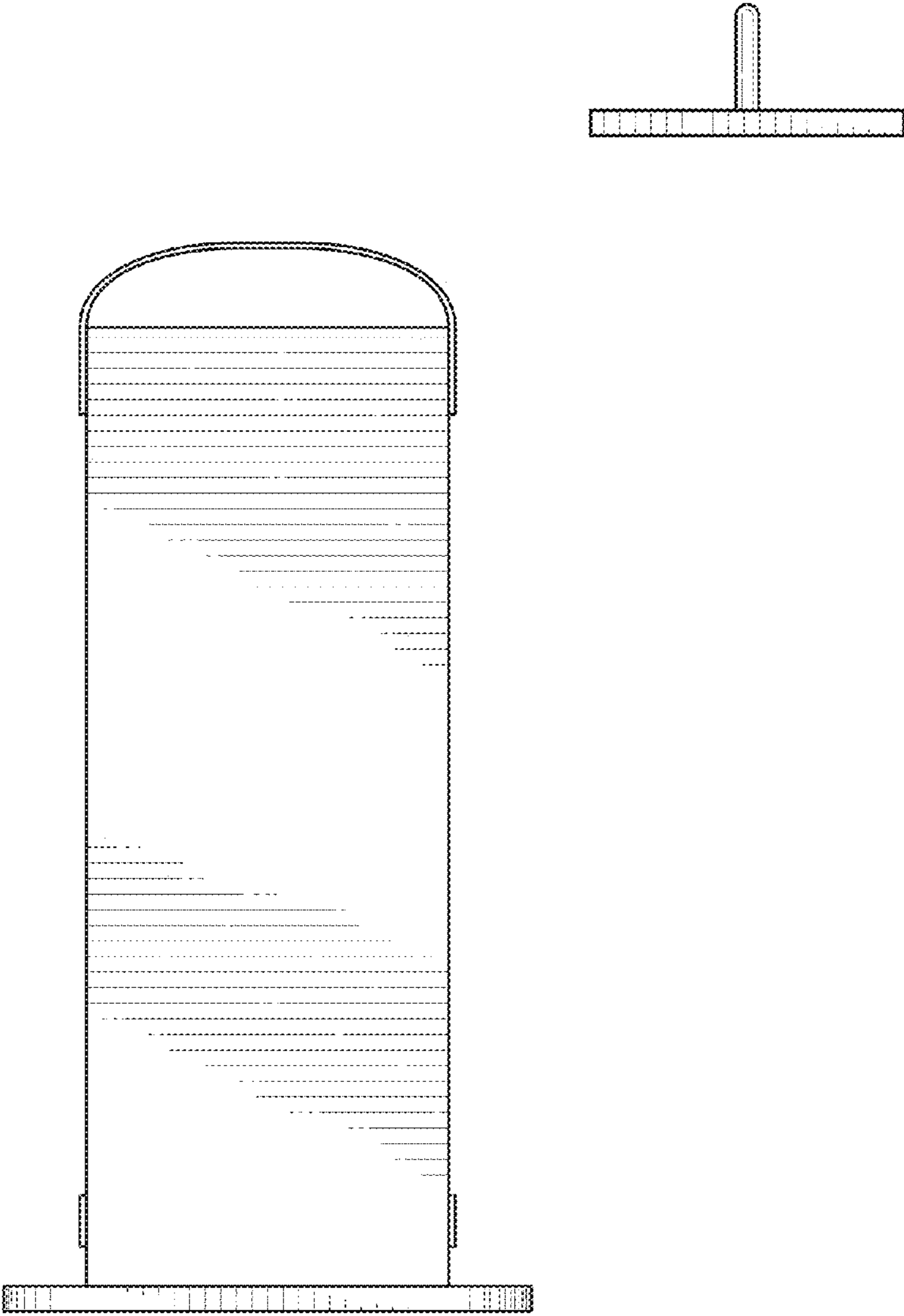


FIG. 4

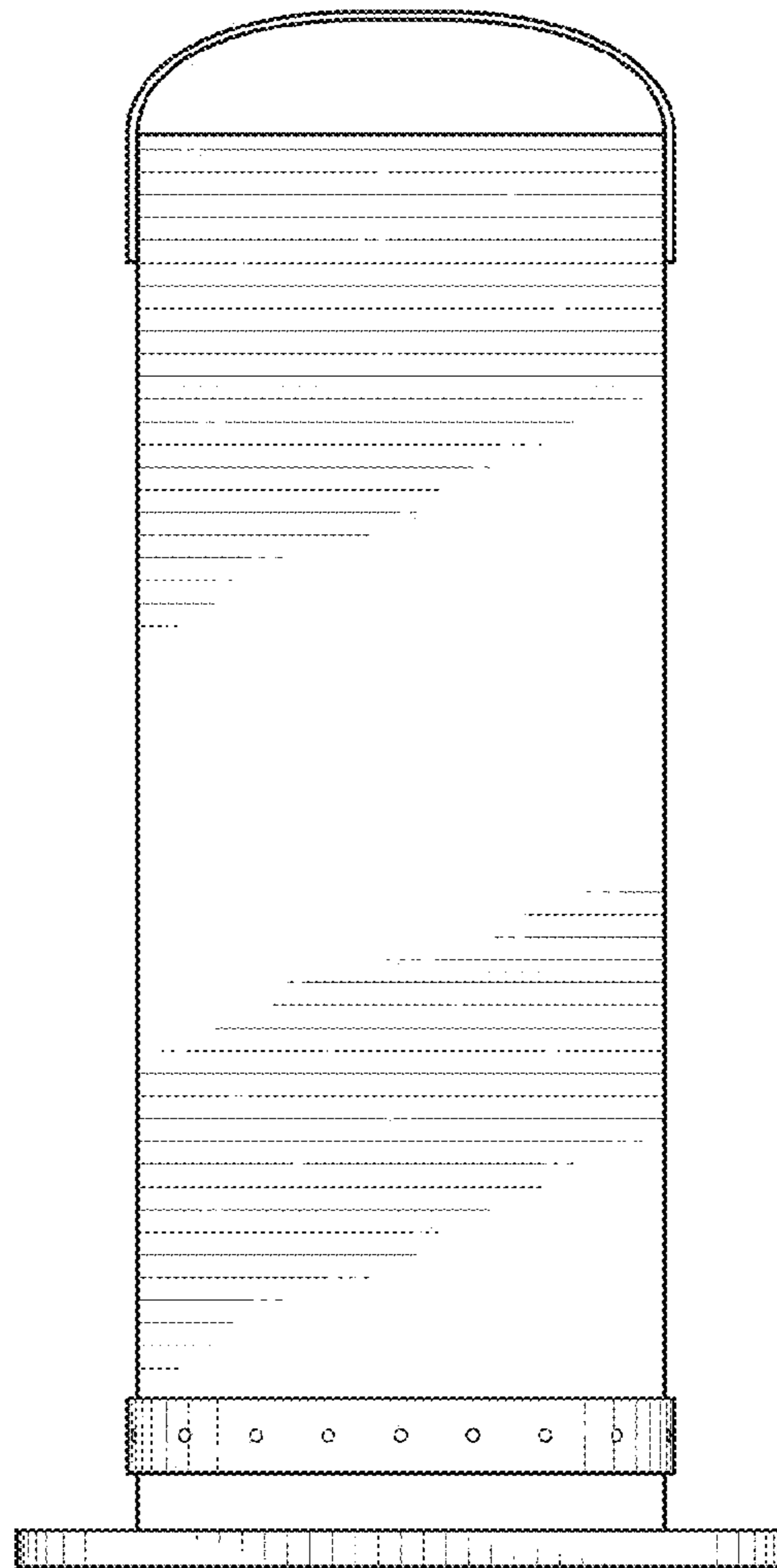
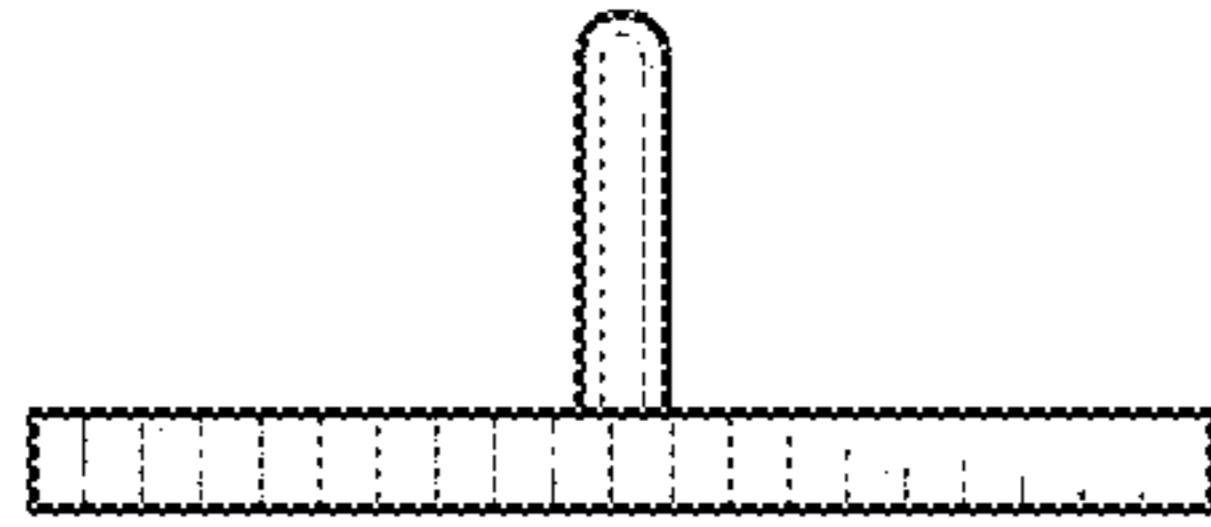


FIG. 5

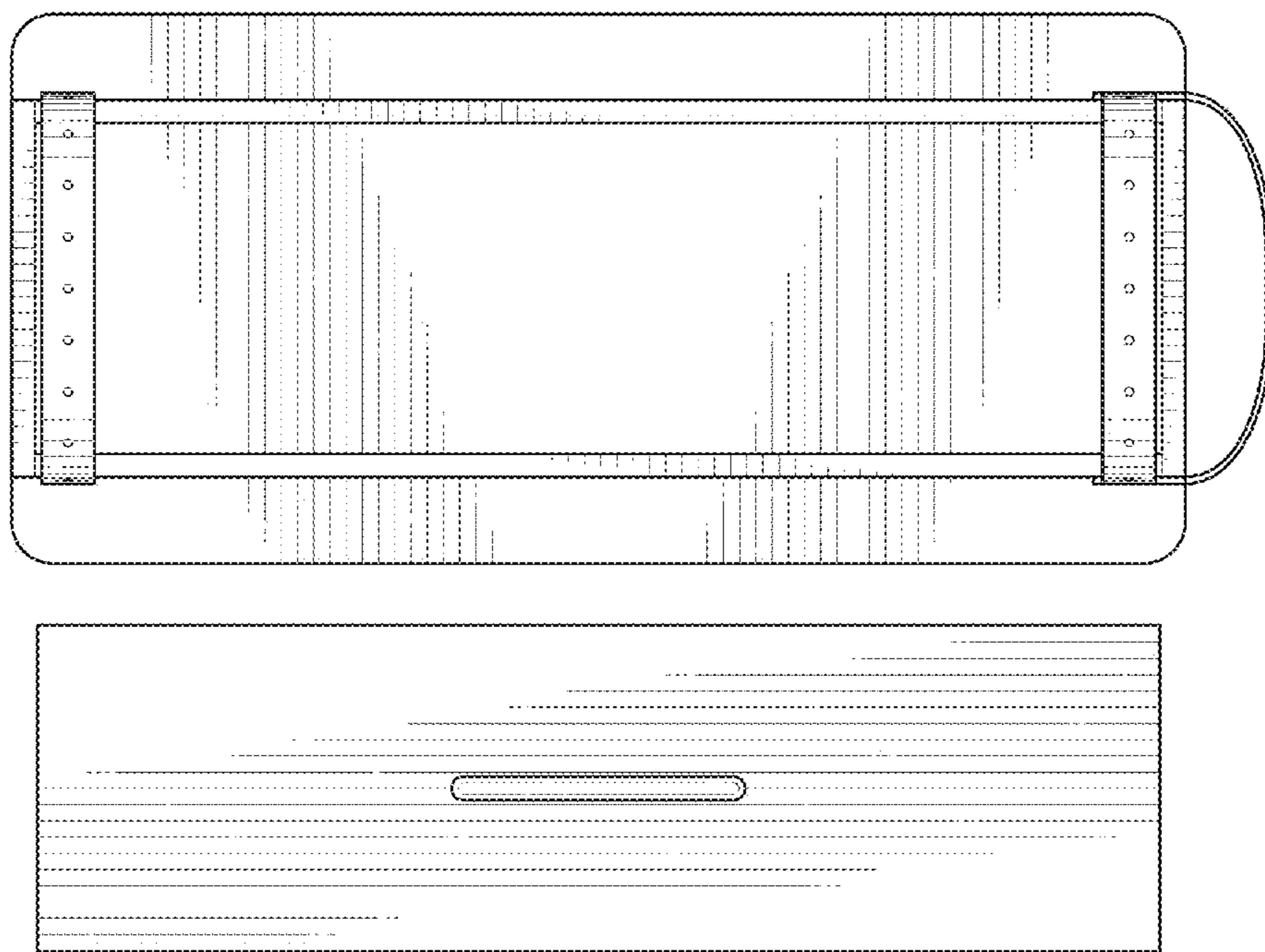


FIG. 6

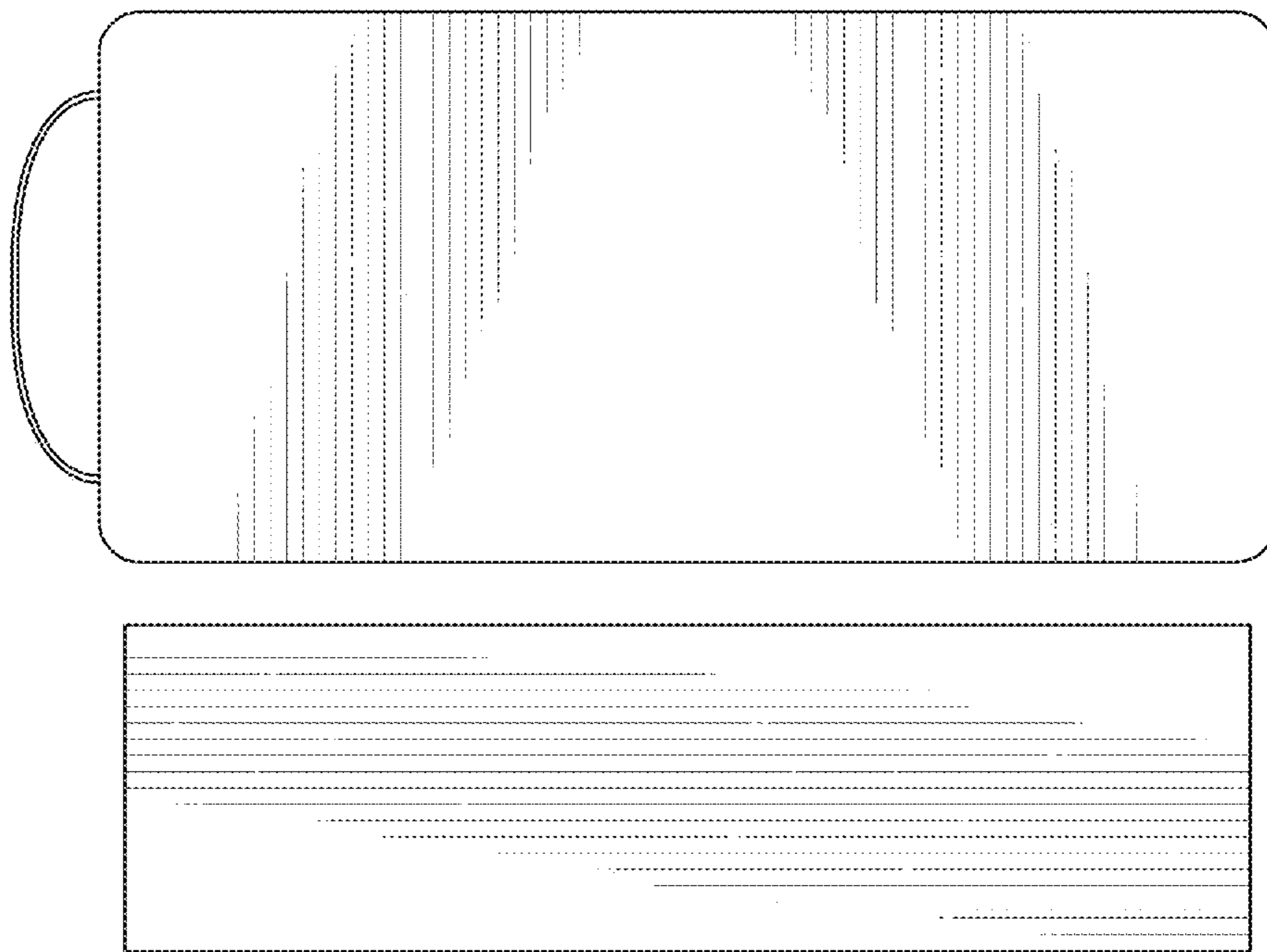


FIG. 7



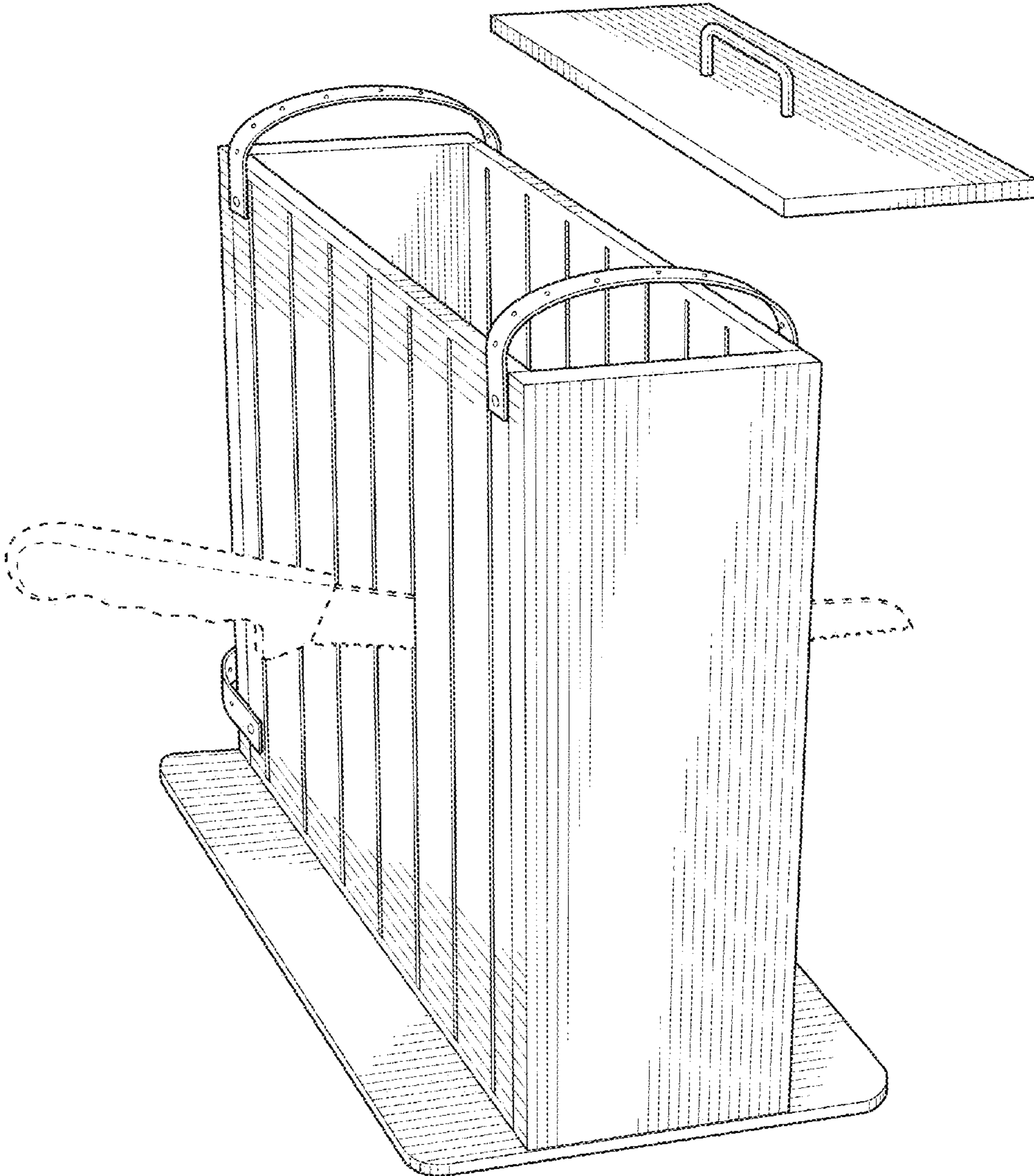


FIG. 8

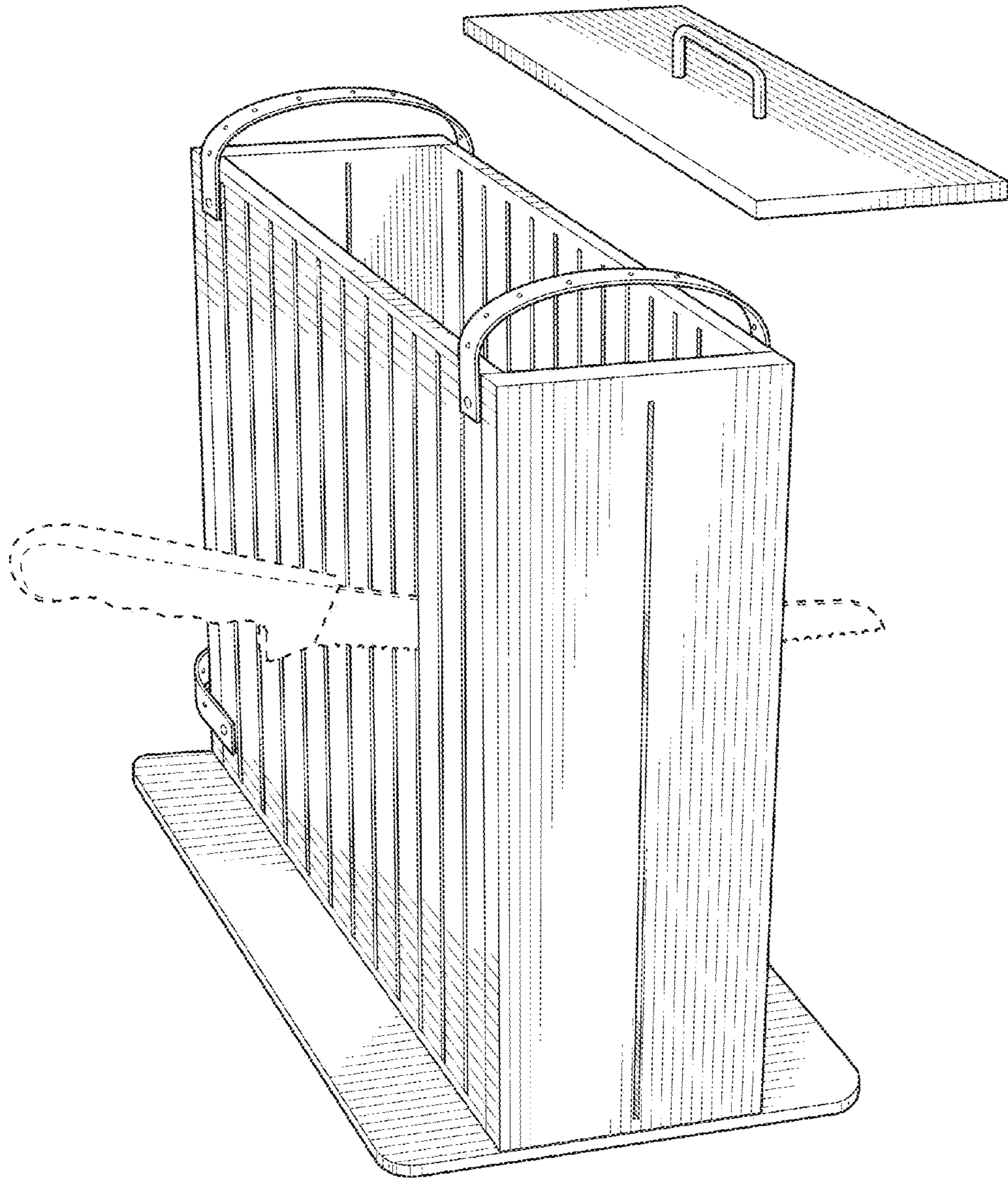


FIG. 9