



US00D708693S

(12) **United States Design Patent**  
**Faxon**

(10) **Patent No.:** **US D708,693 S**

(45) **Date of Patent:** **\*\* Jul. 8, 2014**

(54) **FIREARM UPPER RECEIVER ASSEMBLY**

(71) Applicant: **Robert T. Faxon**, Cincinnati, OH (US)

(72) Inventor: **Robert T. Faxon**, Cincinnati, OH (US)

(\*\*) Term: **14 Years**

(21) Appl. No.: **29/439,864**

(22) Filed: **Dec. 17, 2012**

(51) **LOC (10) Cl.** ..... **22-01**

(52) **U.S. Cl.**  
USPC ..... **D22/108**

(58) **Field of Classification Search**  
USPC ..... D22/103, 108; 42/1.01-1.07, 2, 10-26,  
42/34, 36, 37, DIG. 1; 89/40.06, 41.19,  
89/37.04, 33.04, 191.01, 200-204;  
124/67, 66, 72, 74  
See application file for complete search history.

8,307,750	B2 *	11/2012	Vuksanovich et al. ....	89/191.01
D674,859	S *	1/2013	Robbins et al. ....	D22/108
8,468,929	B2 *	6/2013	Larson et al. ....	89/193
8,516,731	B2 *	8/2013	Cabahug et al. ....	42/84
2007/0199435	A1	8/2007	Hochstrate et al.	
2010/0186582	A1	7/2010	Juarez	
2012/0111183	A1 *	5/2012	Hochstrate et al. ....	89/193
2012/0137562	A1 *	6/2012	Langevin et al. ....	42/75.03
2012/0167424	A1 *	7/2012	Gomez	42/14
2012/0204713	A1 *	8/2012	Patel	89/199
2013/0068089	A1 *	3/2013	Brown	89/193
2013/0174457	A1 *	7/2013	Gangl et al. ....	42/16

\* cited by examiner

*Primary Examiner* — Michael A Pratt

(74) *Attorney, Agent, or Firm* — Wood, Herron & Evans, LLP

(57) **CLAIM**

The ornamental design for a firearm upper receiver assembly, as shown and described.

(56) **References Cited**

U.S. PATENT DOCUMENTS

D285,236	S *	8/1986	Brunton	D22/108
7,444,775	B1 *	11/2008	Schuetz	42/76.01
D590,473	S *	4/2009	Fitzpatrick et al.	D22/103
D603,012	S *	10/2009	Fitzpatrick et al.	D22/108
7,806,039	B1 *	10/2010	Gomez	89/132
7,832,326	B1 *	11/2010	Barrett	89/191.01
D636,043	S *	4/2011	Olsen et al.	D22/108
7,930,968	B2 *	4/2011	Giefing	89/185
7,963,203	B1 *	6/2011	Davies	89/14.1
D641,824	S	7/2011	Gridelet	
D641,825	S	7/2011	Gridelet	
7,971,379	B2	7/2011	Robinson et al.	
8,037,806	B2 *	10/2011	Davies	89/198
8,051,595	B2 *	11/2011	Hochstrate et al.	42/75.01
8,201,489	B2	6/2012	Juarez	
D668,311	S *	10/2012	Rogers et al.	D22/108

**DESCRIPTION**

FIG. 1 is an isometric view of the firearm upper receiver assembly;

FIG. 2 is a second isometric view thereof;

FIG. 3 is a third isometric view thereof;

FIG. 4 is a fourth isometric view thereof;

FIG. 5 is a right side plan view;

FIG. 6 is a left plan view;

FIG. 7 is top plan view;

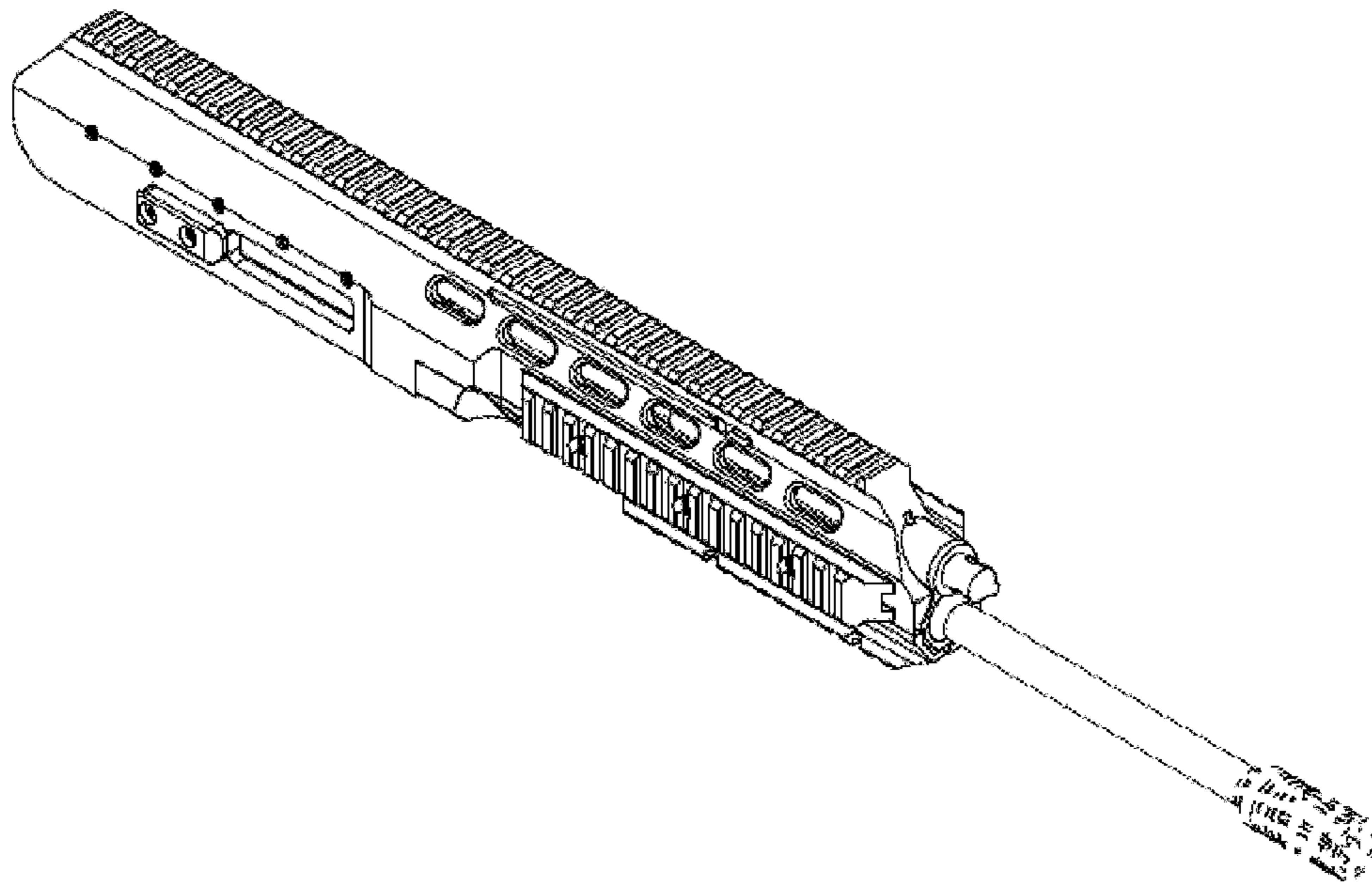
FIG. 8 is a bottom plan view;

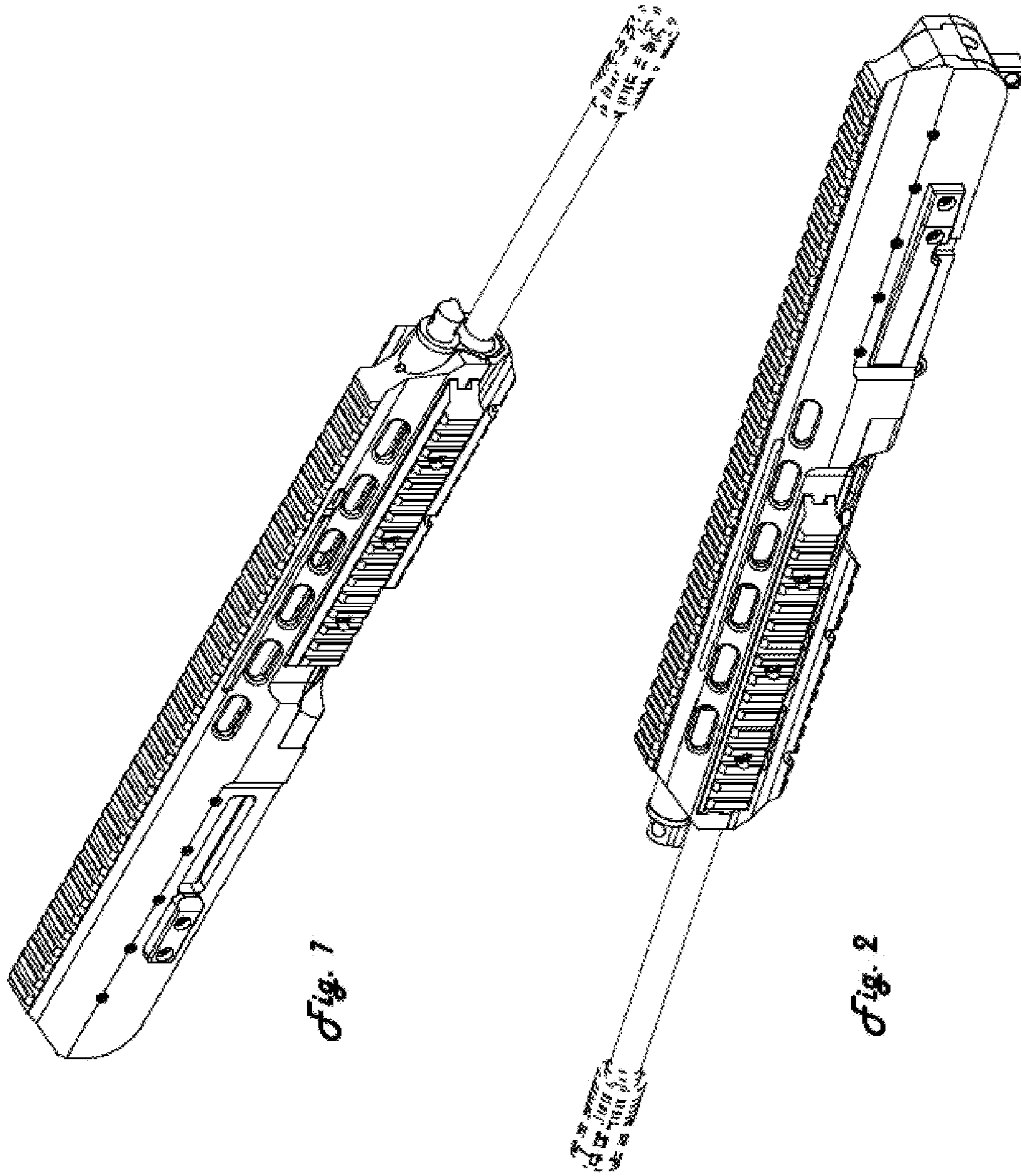
FIG. 9 is a front plan view; and,

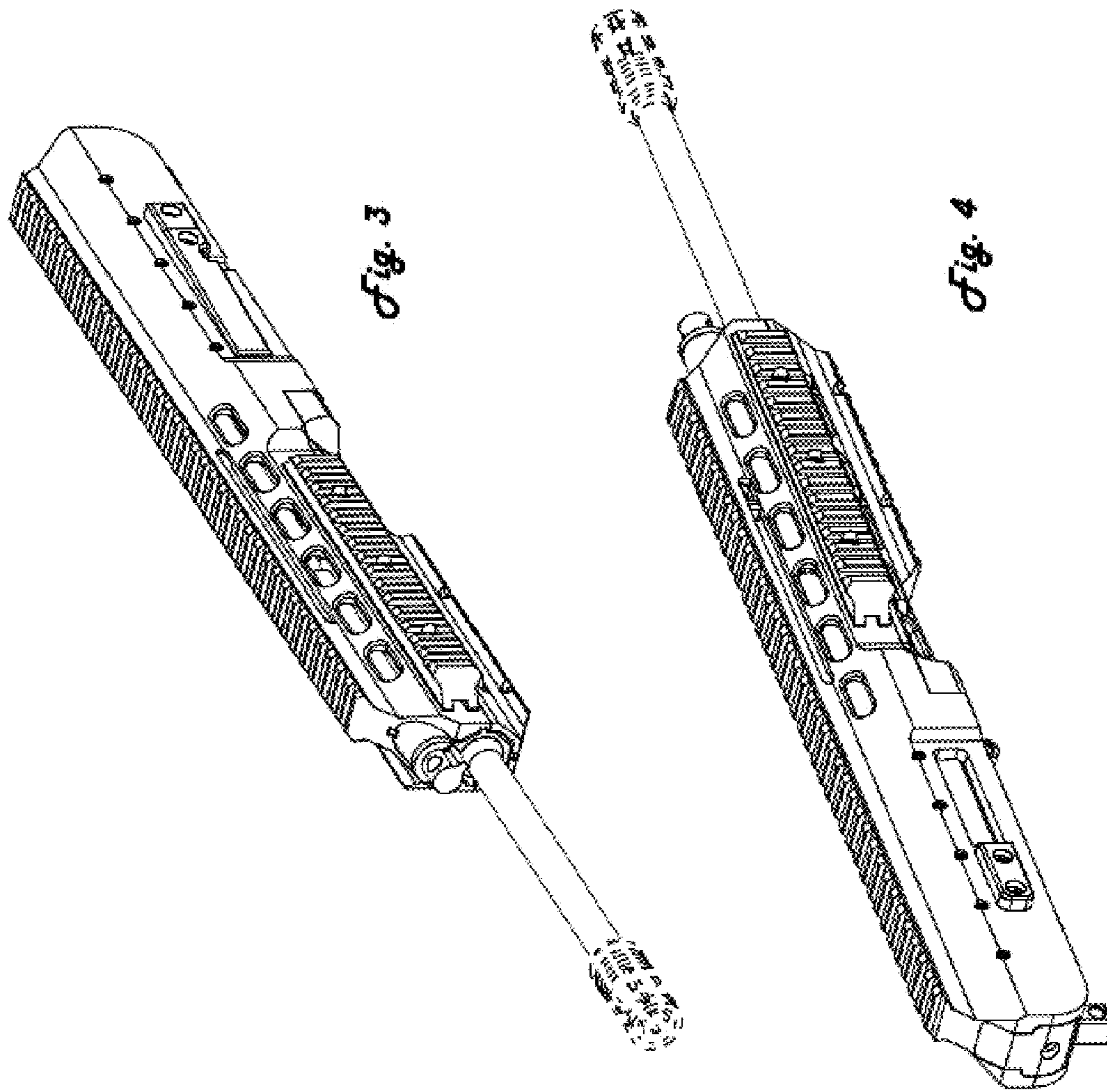
FIG. 10 is a rear plan view.

Any elements shown in broken lines form no part of the claimed invention in this application.

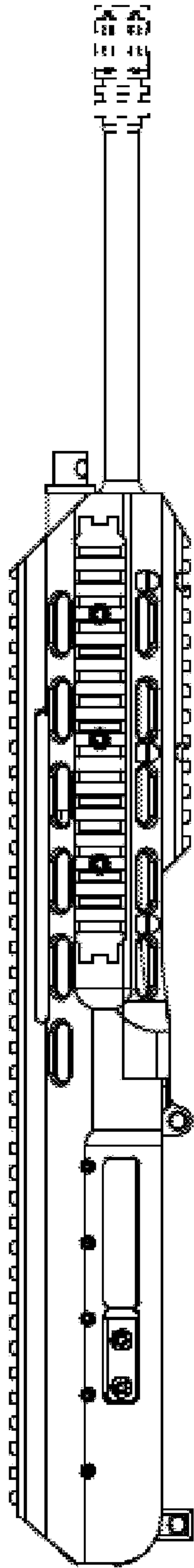
**1 Claim, 5 Drawing Sheets**



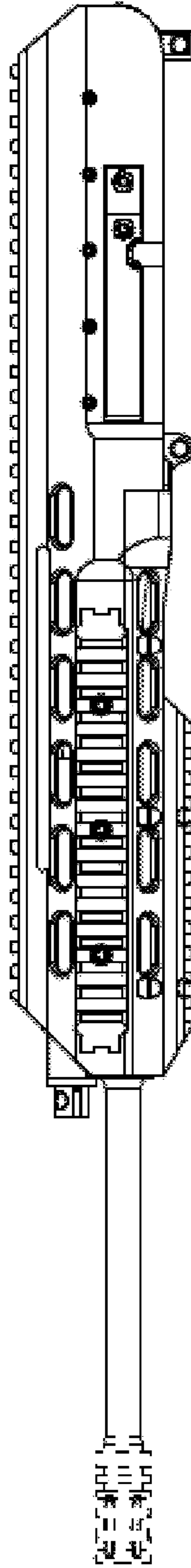




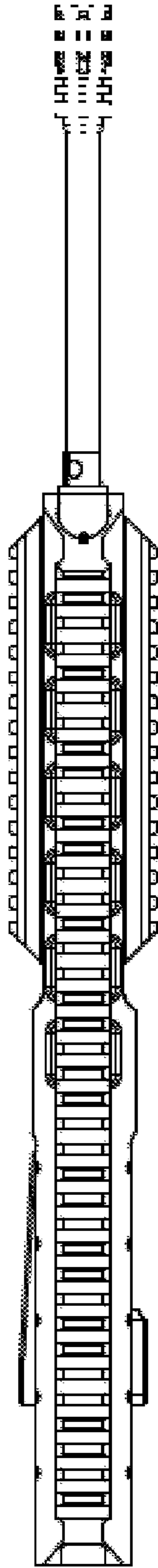




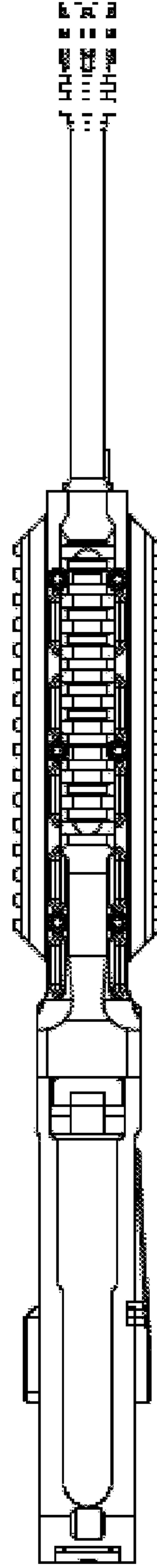
*Fig. 6*



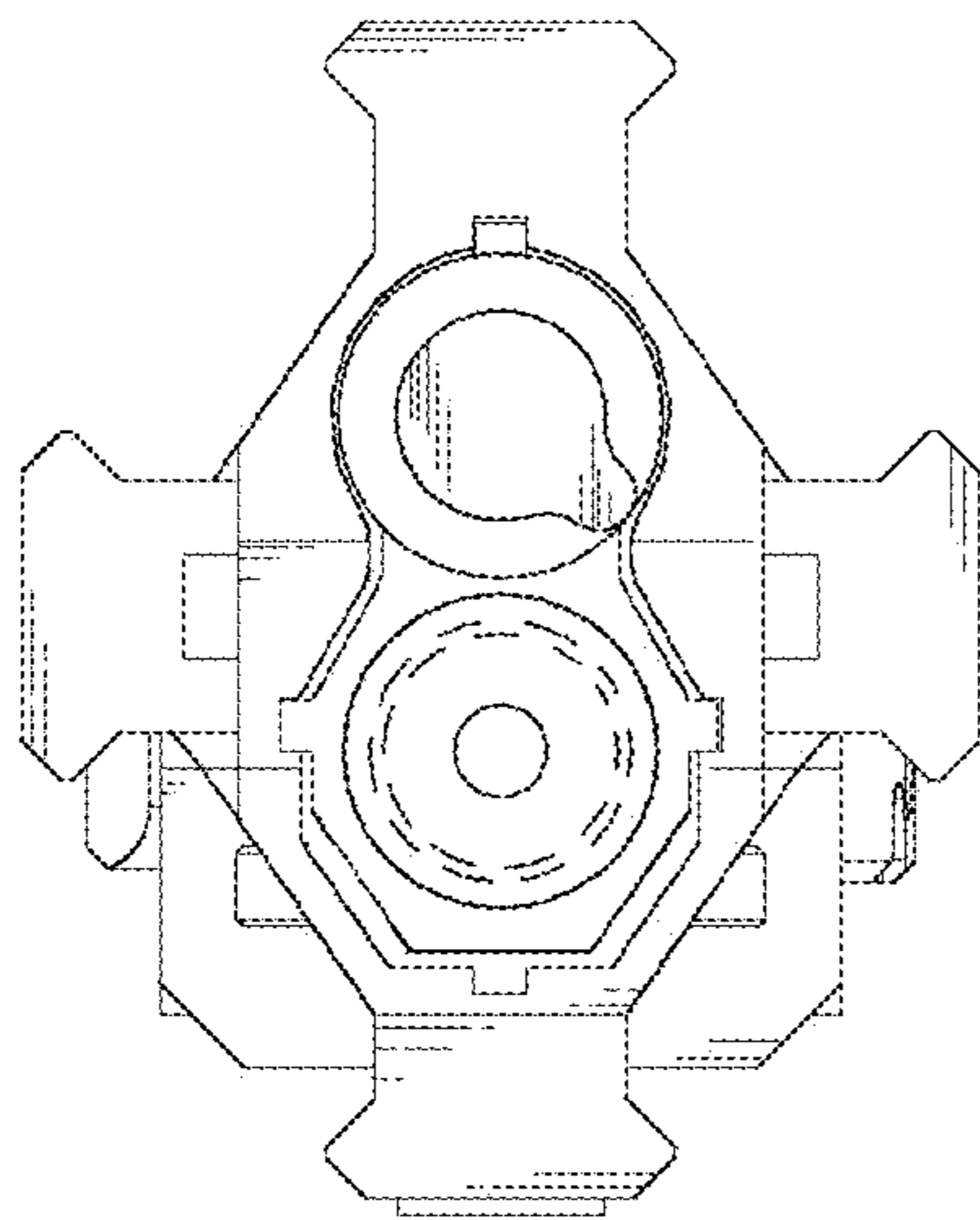
*Fig. 6*



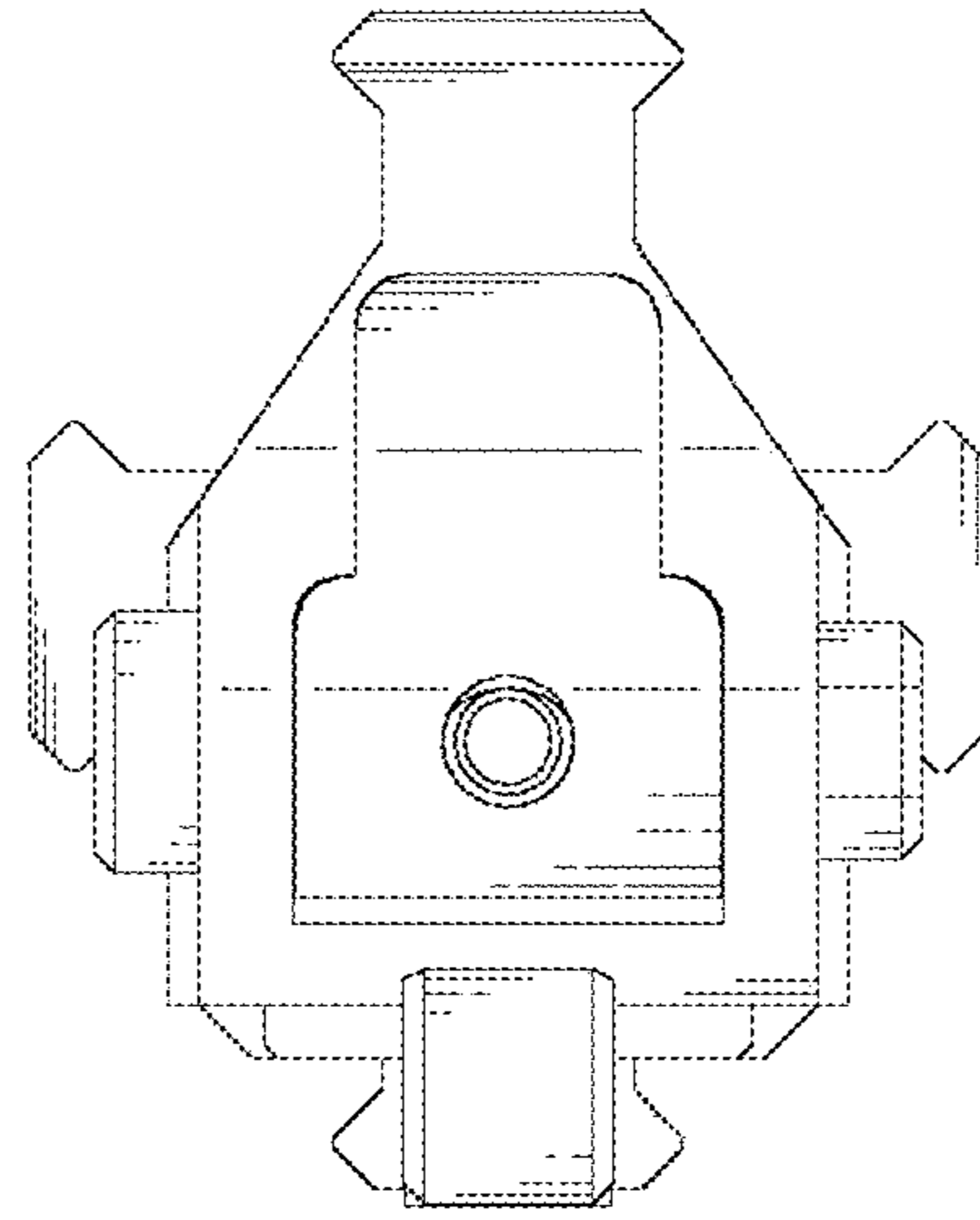
*Fig. 7*



*Fig. 8*



*Fig. 9*



*Fig. 10*