



US00D708691S

(12) **United States Design Patent**
Laurin

(10) **Patent No.:** **US D708,691 S**
(45) **Date of Patent:** **** Jul. 8, 2014**

(54) **PLAYGROUND EQUIPMENT**

(71) Applicant: **Transalp, L'Albenc (FR)**

(72) Inventor: **Pierre Laurin, Paris (FR)**

(73) Assignee: **Transalp, L'Albenc (FR)**

(**) Term: **14 Years**

(21) Appl. No.: **29/456,016**

(22) Filed: **May 28, 2013**

(30) **Foreign Application Priority Data**

Nov. 28, 2012 (EP) 002144055-0001

(51) **LOC (10) Cl.** **21-03**

(52) **U.S. Cl.**
USPC **D21/828**

(58) **Field of Classification Search**
USPC D21/828-831, 811, 814; 472/1-47
See application file for complete search history.

(56) **References Cited**

U.S. PATENT DOCUMENTS

1,486,669 A * 3/1924 Kline 472/24
3,011,825 A * 12/1961 Hannas 297/245

D272,171 S * 1/1984 Lankford D21/828
D279,050 S * 6/1985 Tietz D6/348
D287,262 S * 12/1986 McNutt et al. D21/830
D428,638 S * 7/2000 Tucker et al. D21/830
D586,873 S * 2/2009 Philippen D21/828

* cited by examiner

Primary Examiner — Mitchell Siegel

(74) *Attorney, Agent, or Firm* — Oliff PLC

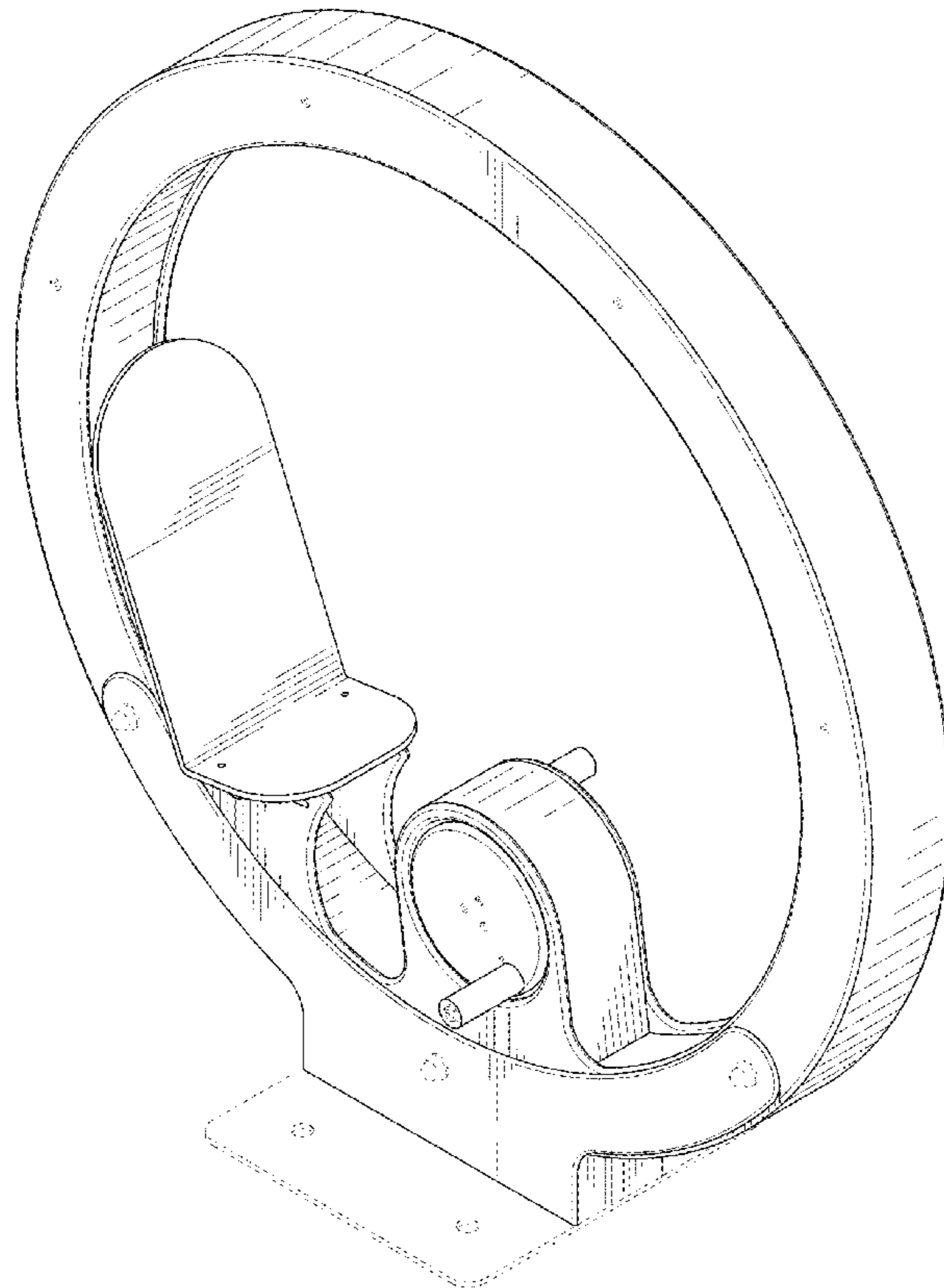
(57) **CLAIM**

The ornamental design for playground equipment, as shown and described.

DESCRIPTION

FIG. 1 is a perspective view of playground equipment;
FIG. 2 is a front view thereof;
FIG. 3 is a top view thereof;
FIG. 4 is a right-side view thereof;
FIG. 5 is a left-side view thereof;
FIG. 6 is a rear view thereof;
FIG. 7 is a bottom view thereof; and,
FIG. 8 is another perspective view thereof.
The broken lines depict environmental subject matter only and form no part of the claimed design.

1 Claim, 5 Drawing Sheets



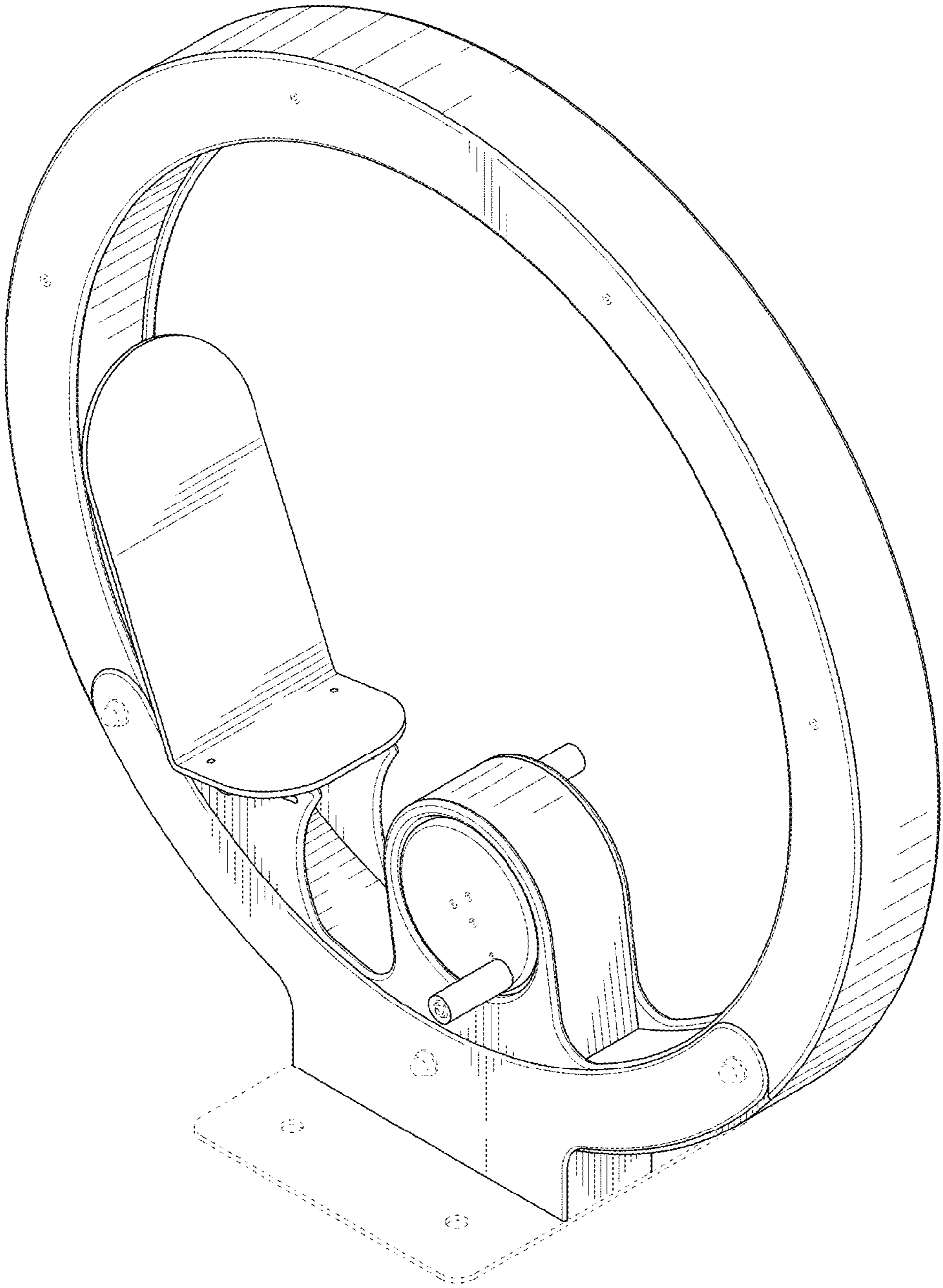


FIG. 1

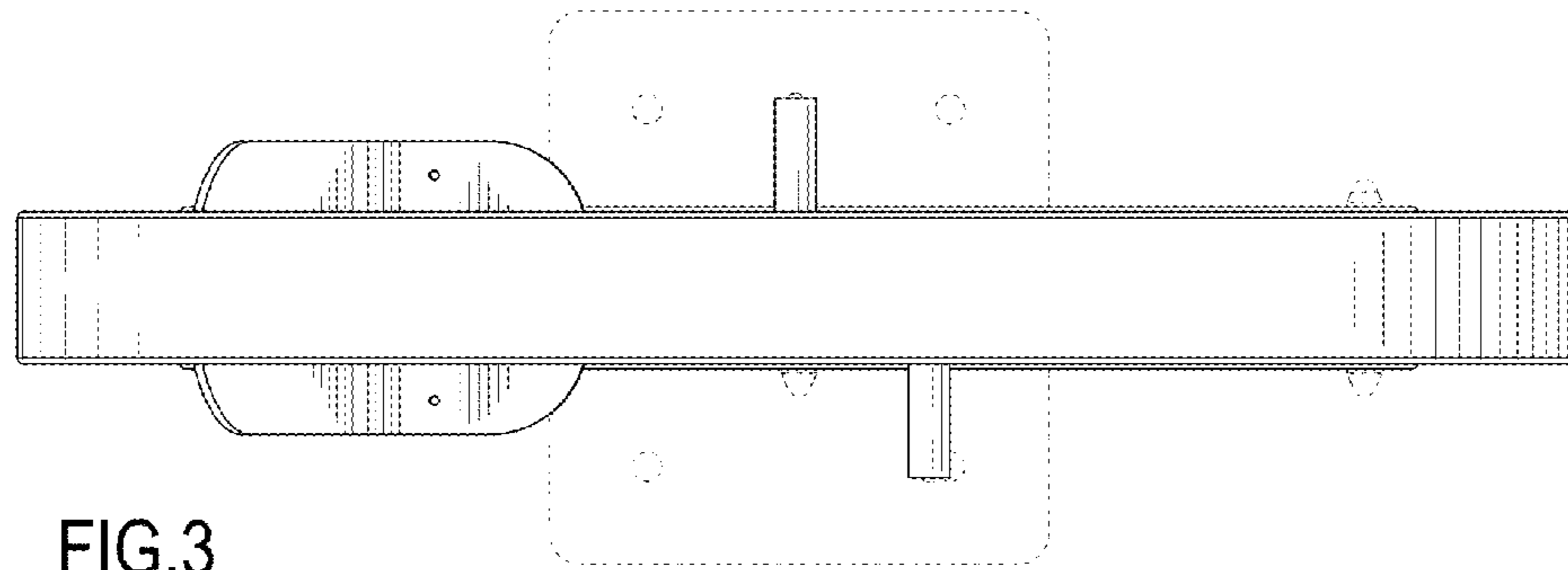


FIG. 3

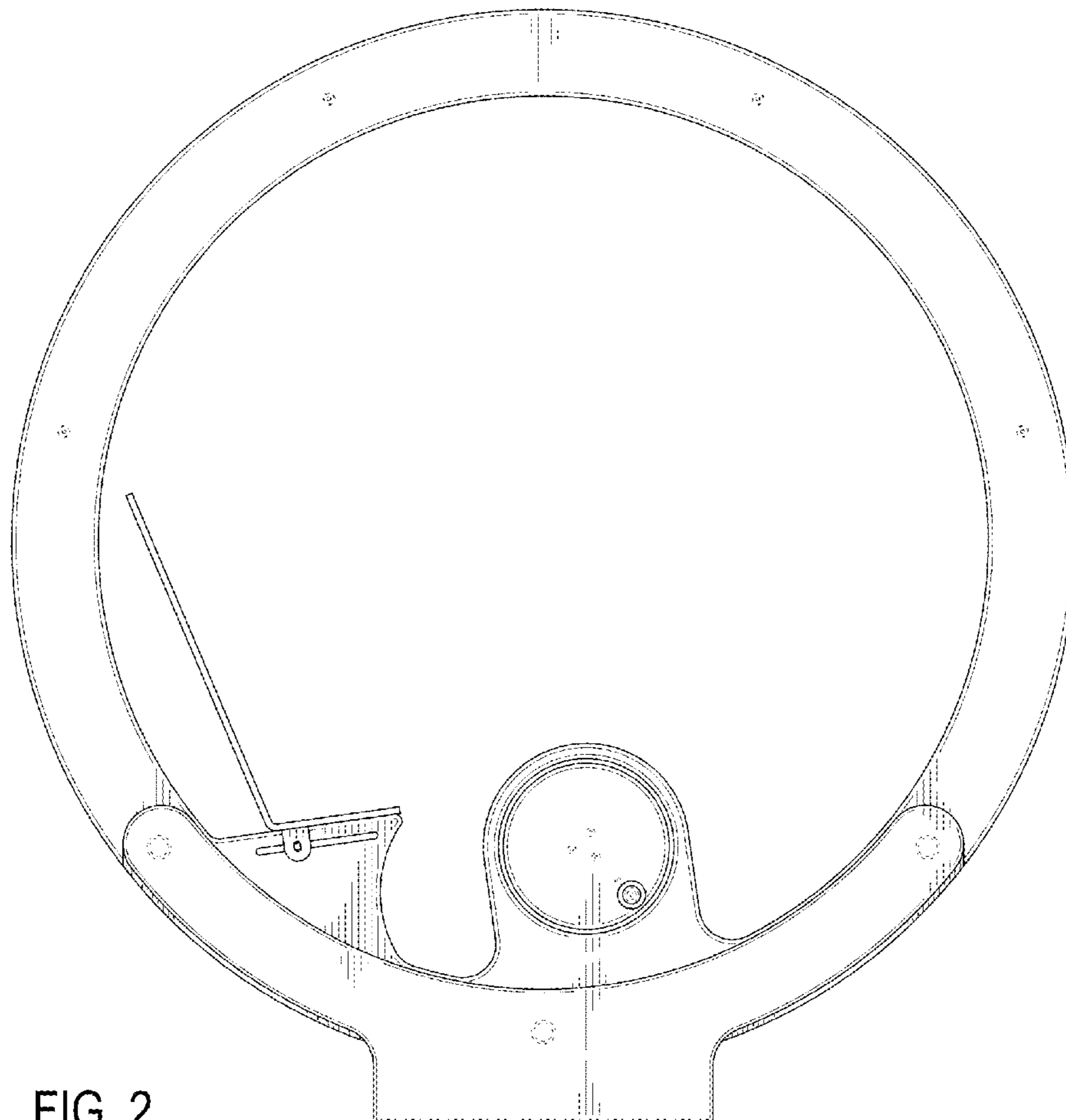


FIG. 2

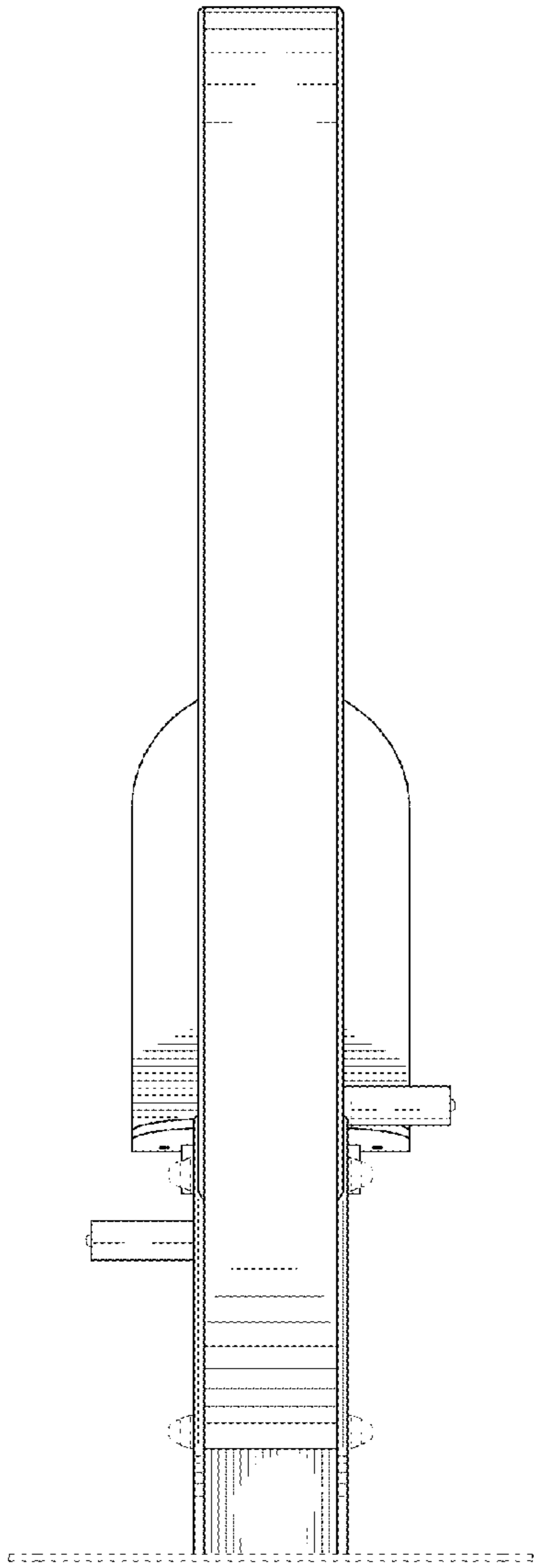


FIG. 4

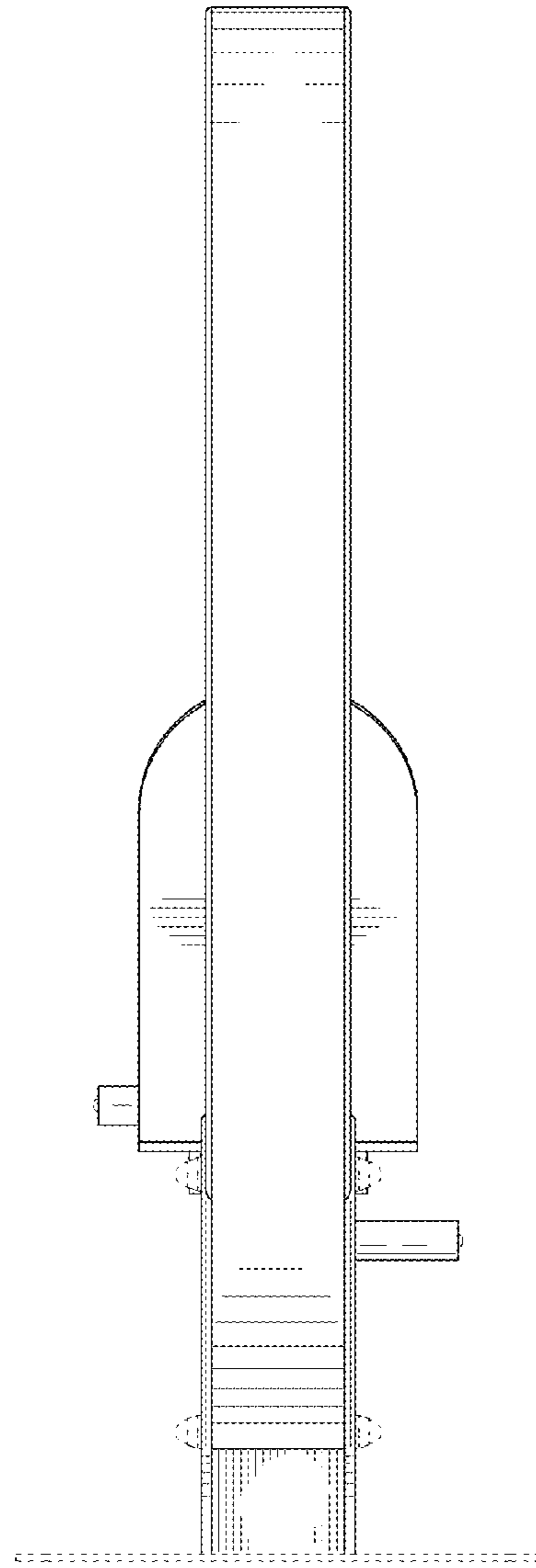


FIG. 5

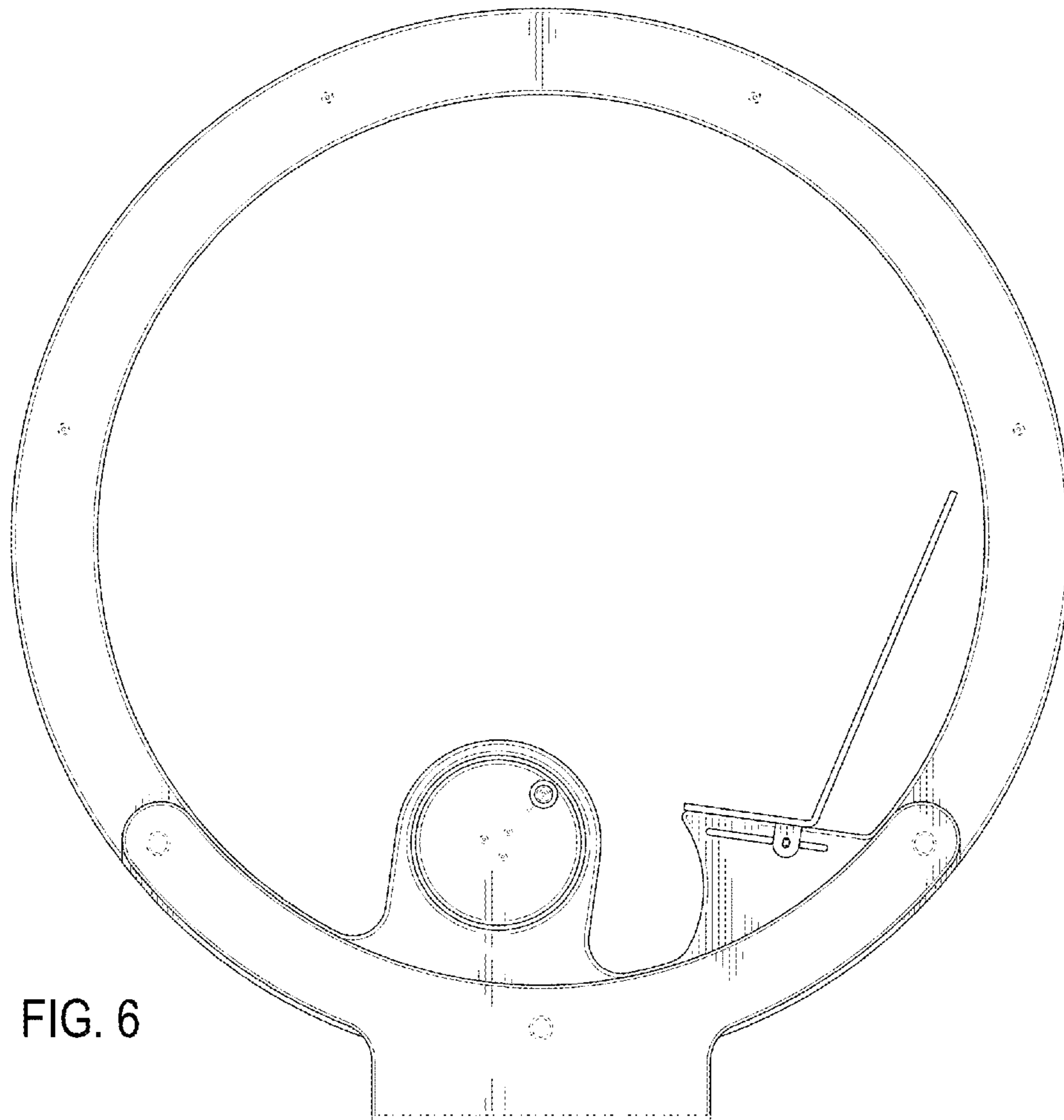


FIG. 6

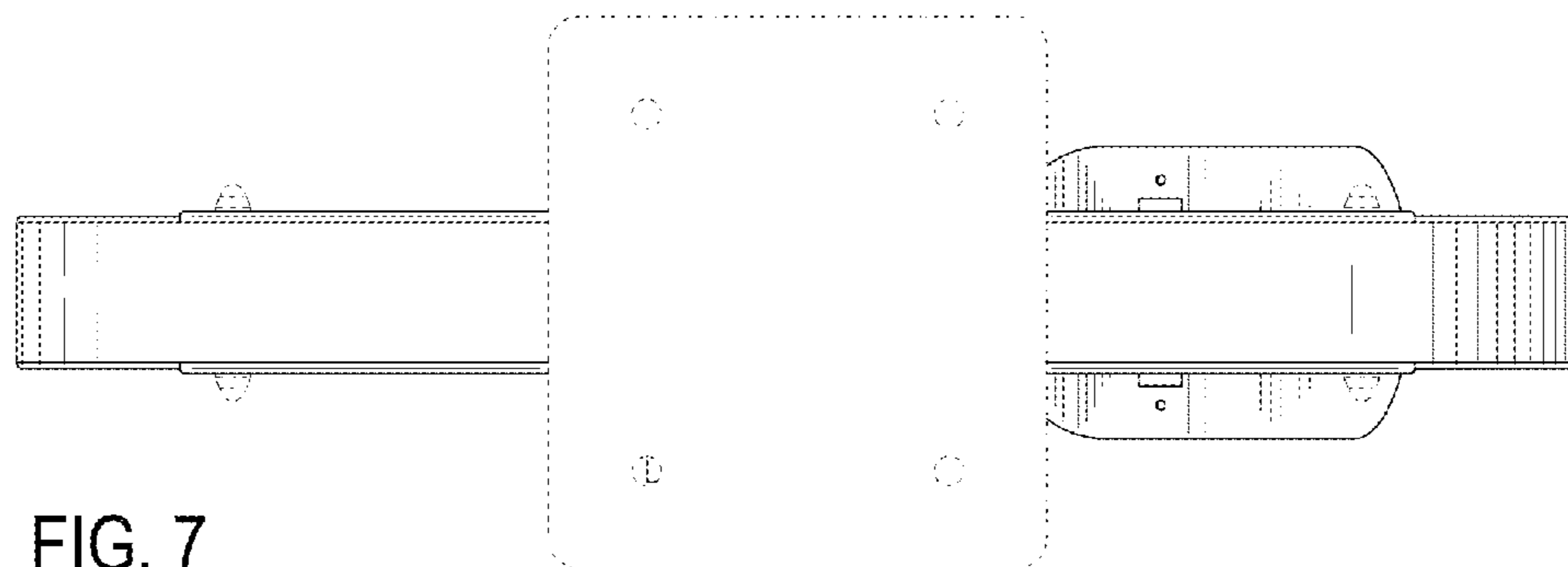


FIG. 7

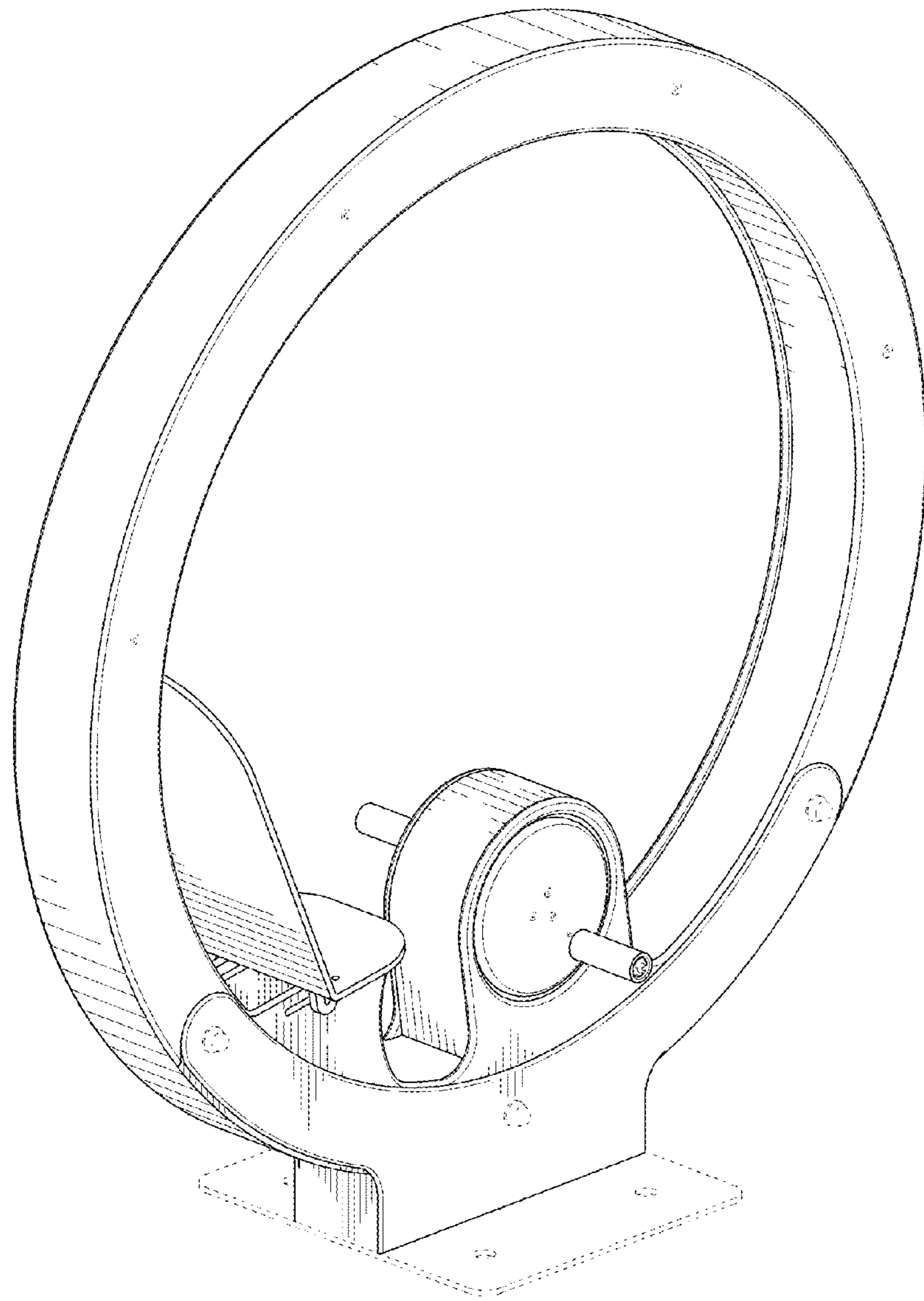


FIG. 8