



US00D708685S

(12) **United States Design Patent**
Harvell et al.

(10) **Patent No.:** **US D708,685 S**
(45) **Date of Patent:** **** Jul. 8, 2014**

(54) **IRON GOLF CLUB HEAD**

D659,214 S * 5/2012 Oldknow et al. D21/759
D660,389 S * 5/2012 Voshall et al. D21/759
D669,947 S * 10/2012 Kim et al. D21/747

(71) Applicant: **Cobra Golf Incorporated**, Carlsbad,
CA (US)

* cited by examiner

(72) Inventors: **Christopher D. Harvell**, Escondido, CA
(US); **Ryan L. Roach**, Carlsbad, CA
(US); **Cameron J. Day**, Aliso Viejo, CA
(US); **Douglas E. Roberts**, Carlsbad, CA
(US); **Karl A. Clausen**, Carlsbad, CA
(US); **Sean Tang**, Irvine, CA (US)

Primary Examiner — Mitchell Siegel
(74) *Attorney, Agent, or Firm* — Mark S. Leonardo; Brown
Rudnick LLP

(73) Assignee: **Cobra Golf Incorporated**, Carlsbad,
CA (US)

(57) **CLAIM**
The ornamental design for an iron golf club head, as shown
and described.

(**) Term: **14 Years**

DESCRIPTION

(21) Appl. No.: **29/458,850**

FIG. 1 illustrates a front side perspective view of an iron golf club head employing an ornamental design in accordance with the present invention;
FIG. 2 illustrates a back side perspective view of the iron golf club head of FIG. 1;
FIG. 3 illustrates a top side view of the iron golf club head of FIG. 1;
FIG. 4 illustrates a bottom side view of the iron golf club head of FIG. 1;
FIG. 5 illustrates a front side view of the iron golf club head of FIG. 1;
FIG. 6 illustrates a back side view of the iron golf club head of FIG. 1;
FIG. 7 illustrates a right side view of the iron golf club head of FIG. 1; and,
FIG. 8 illustrates a left side view of the iron golf club head of FIG. 1.
All features illustrated in phantom line are expressly disclaimed and form no part of the claimed design.

(22) Filed: **Jun. 24, 2013**

(51) **LOC (10) Cl.** **21-02**

(52) **U.S. Cl.**
USPC **D21/747**

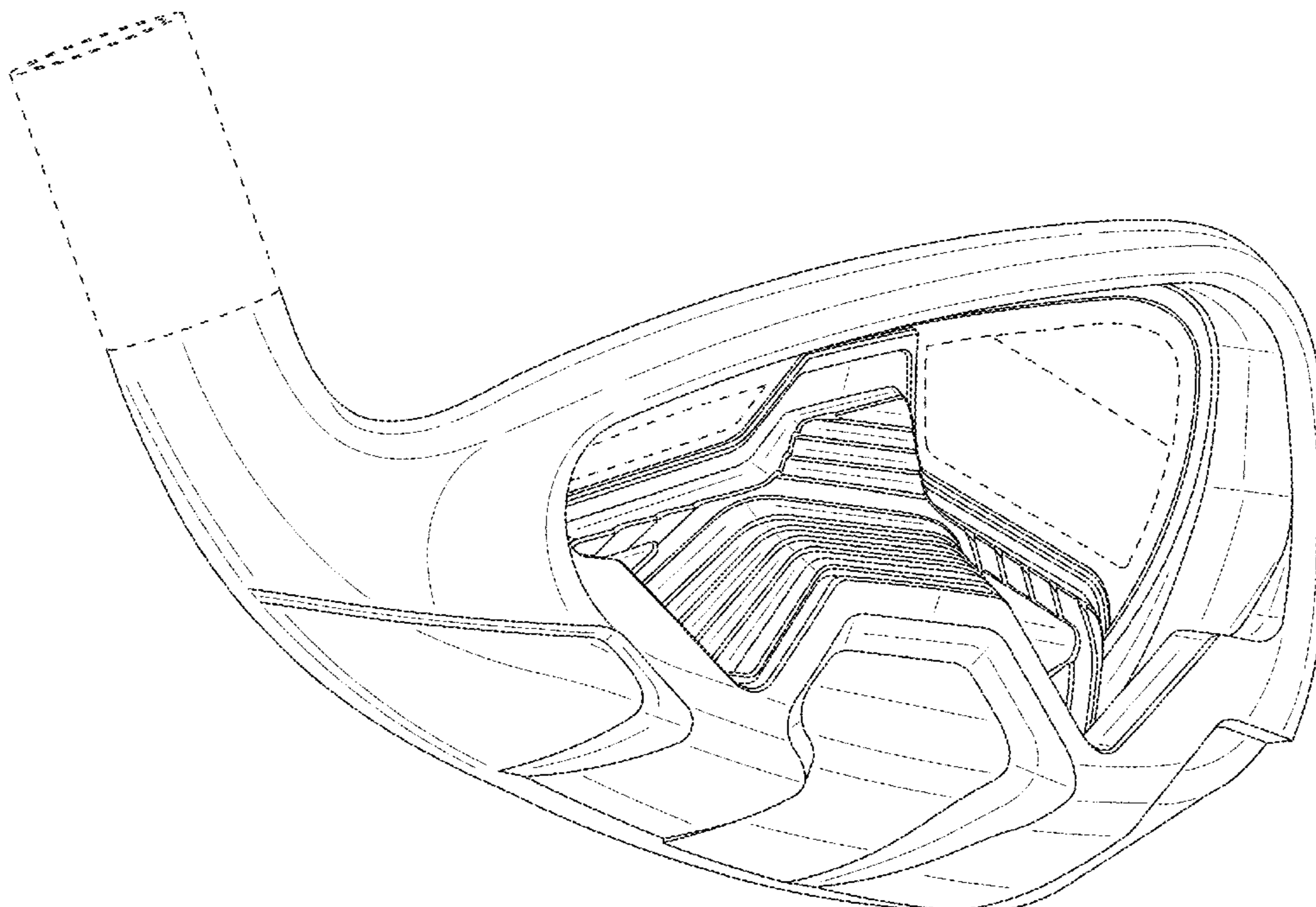
(58) **Field of Classification Search**
CPC A63B 53/00; A63B 53/04; A63B 53/047;
A63B 53/0475
USPC D21/747-751, 759; 473/324-331, 350
See application file for complete search history.

(56) **References Cited**

U.S. PATENT DOCUMENTS

D566,803 S * 4/2008 Foster et al. D21/747
D648,409 S * 11/2011 Atwell et al. D21/747

1 Claim, 8 Drawing Sheets



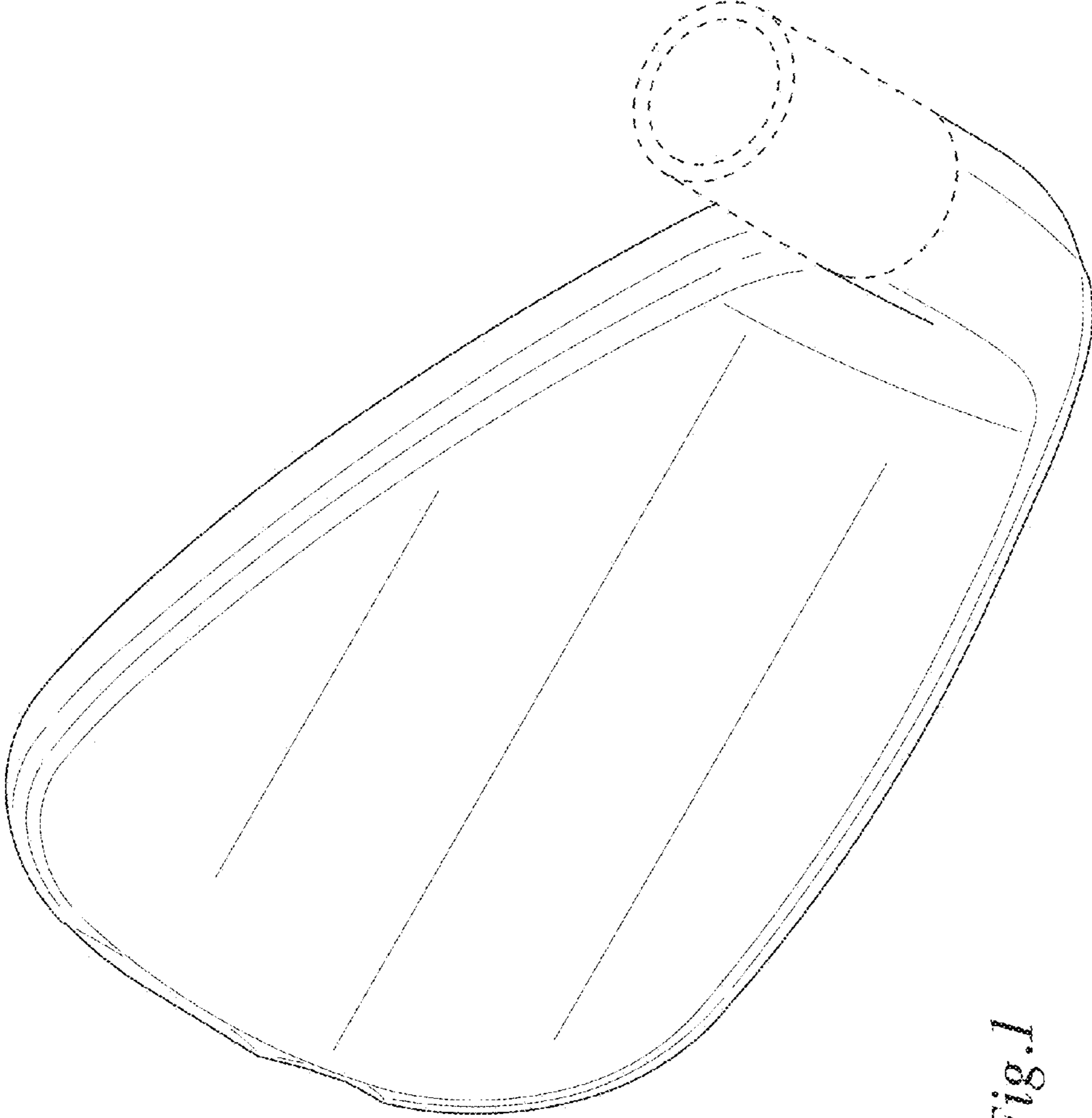


Fig. 1

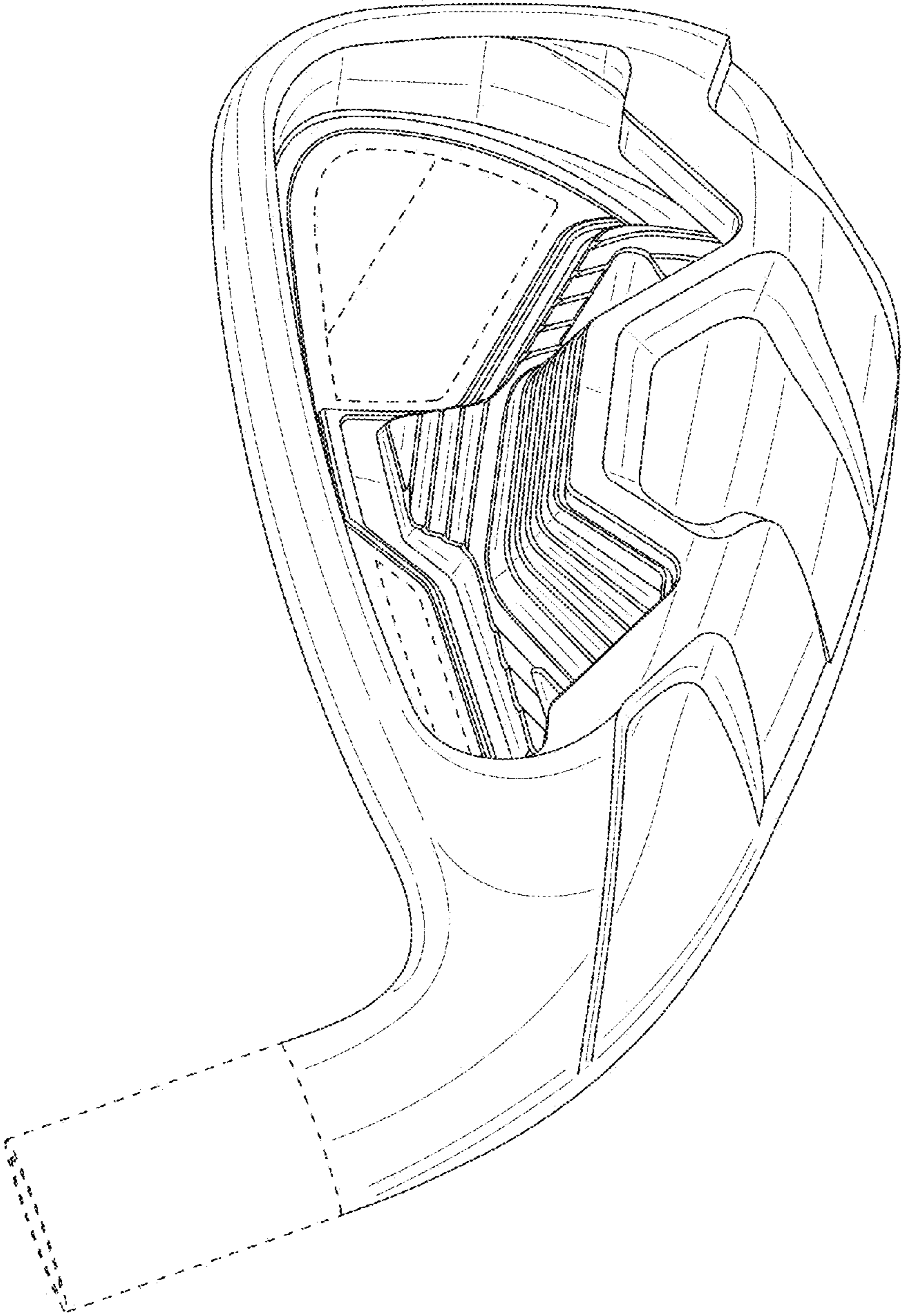


Fig.2

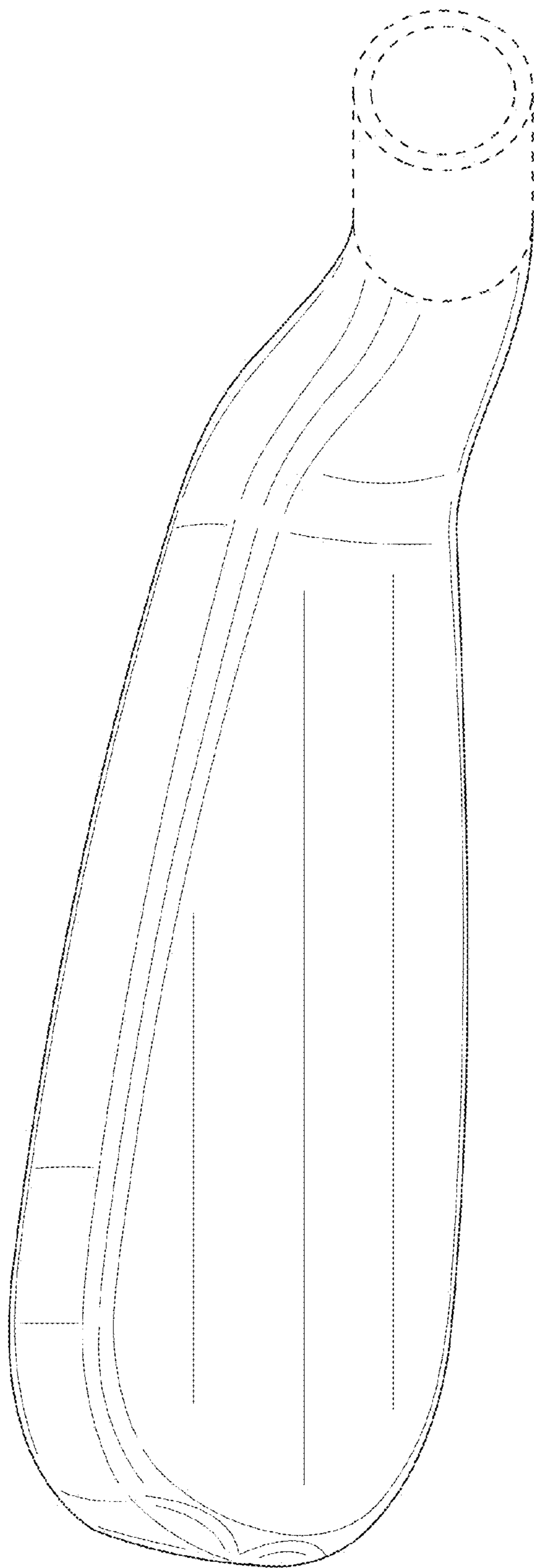


Fig. 3

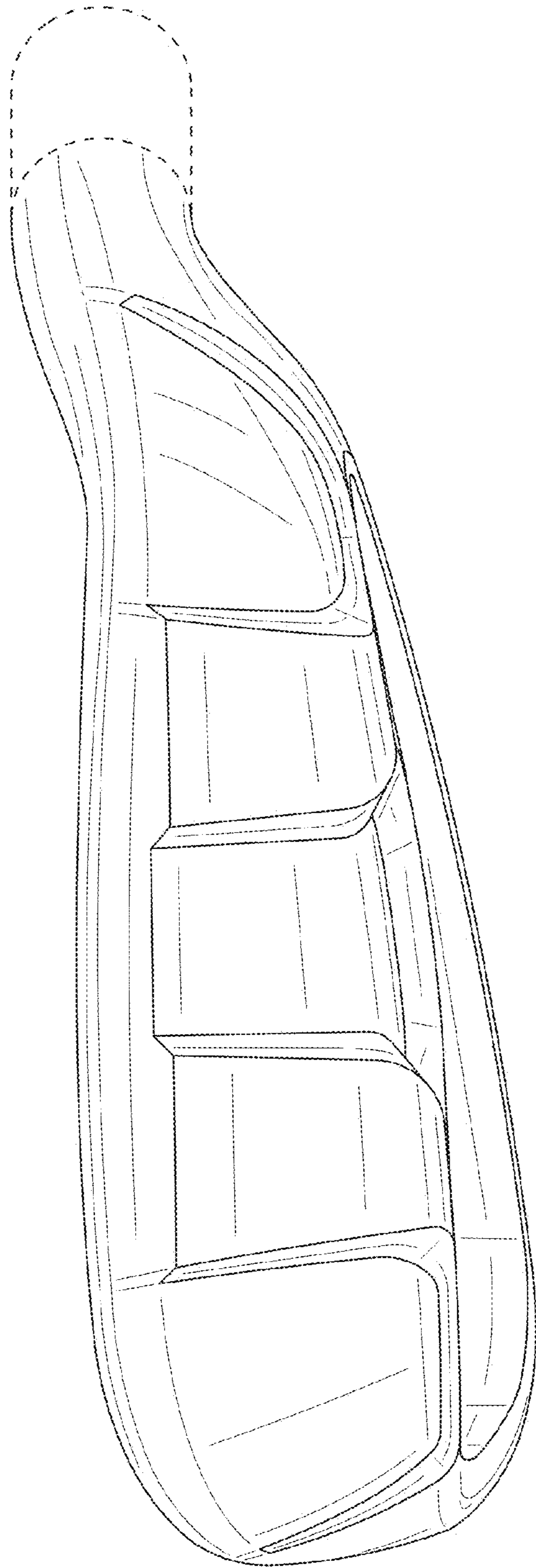


Fig.4

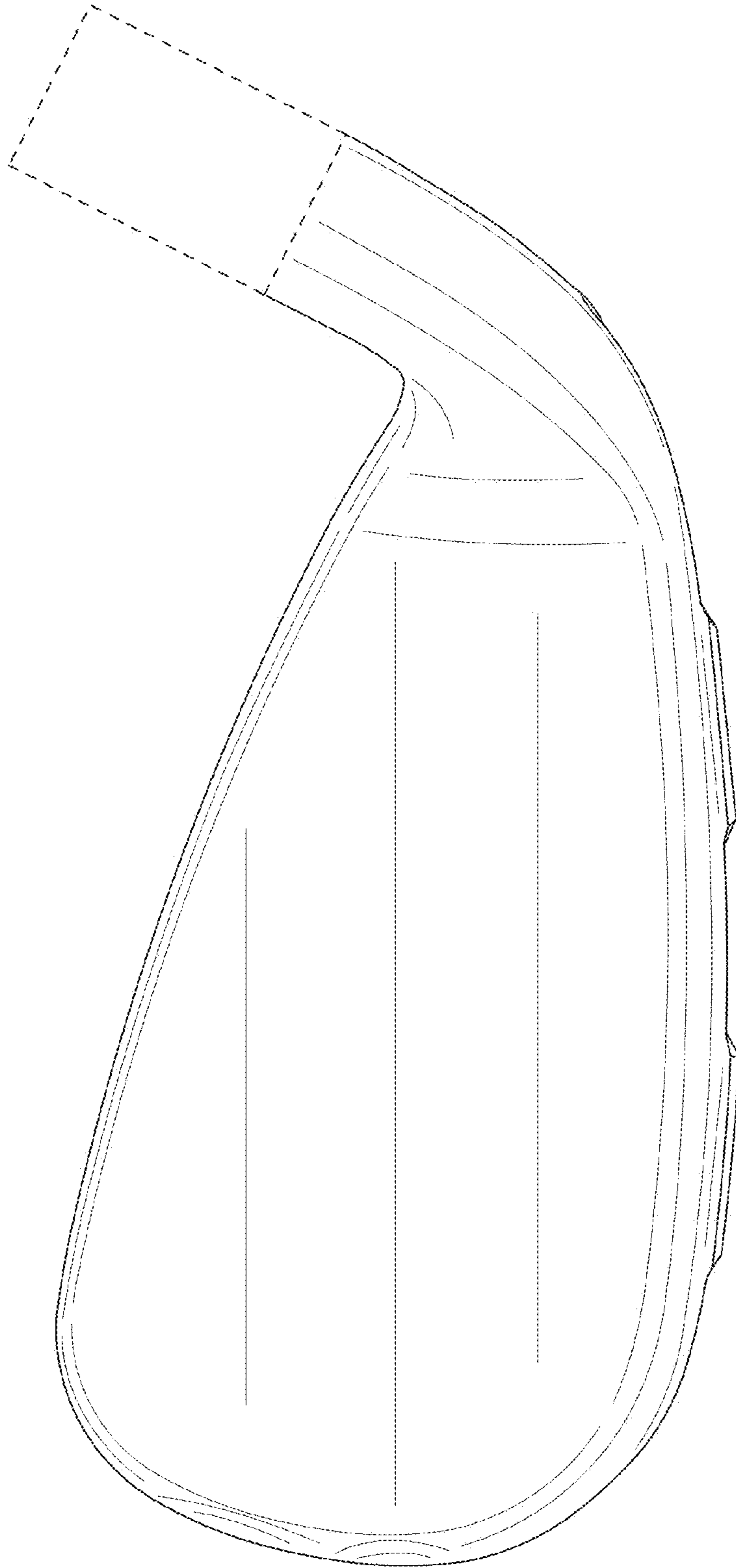


Fig. 5

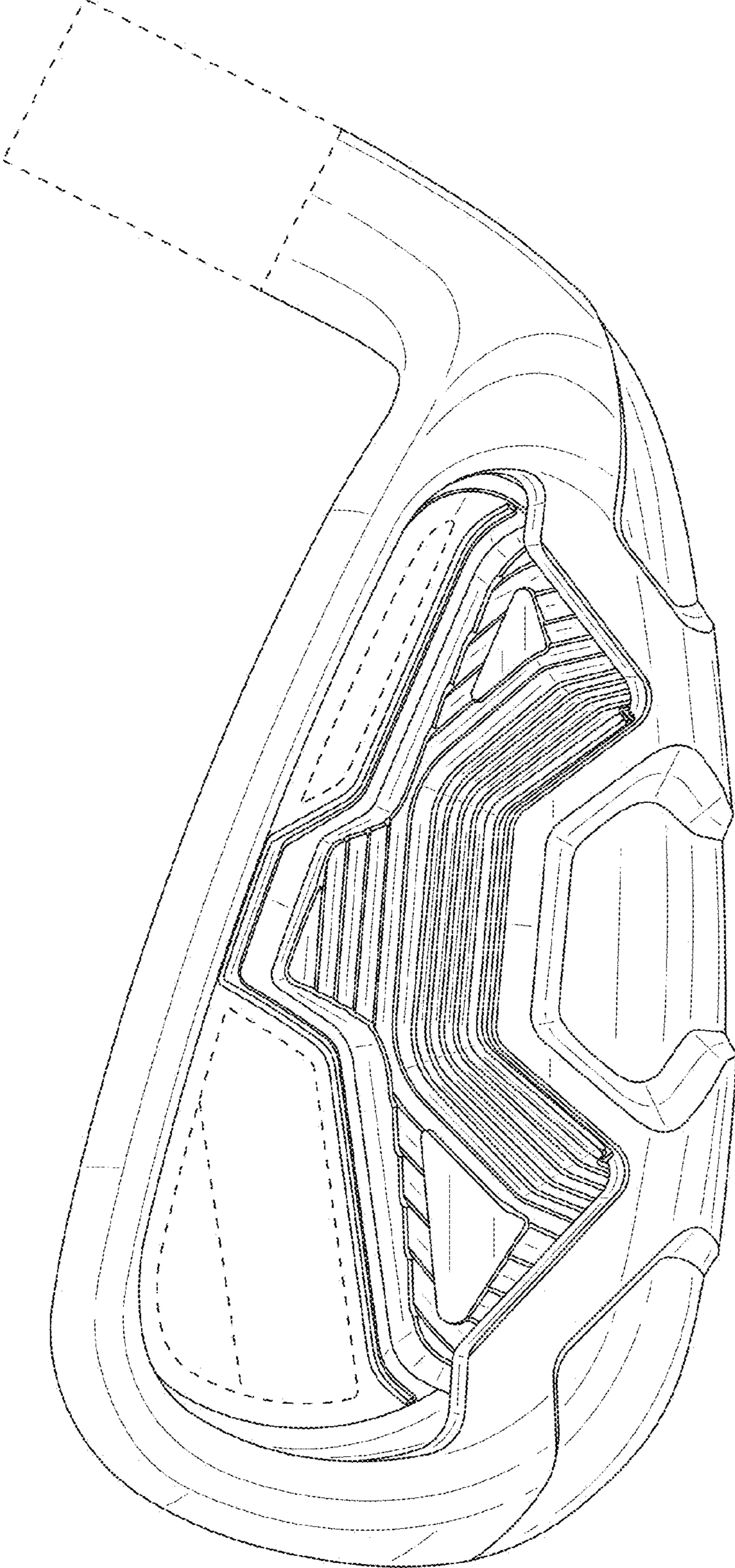


Fig. 6

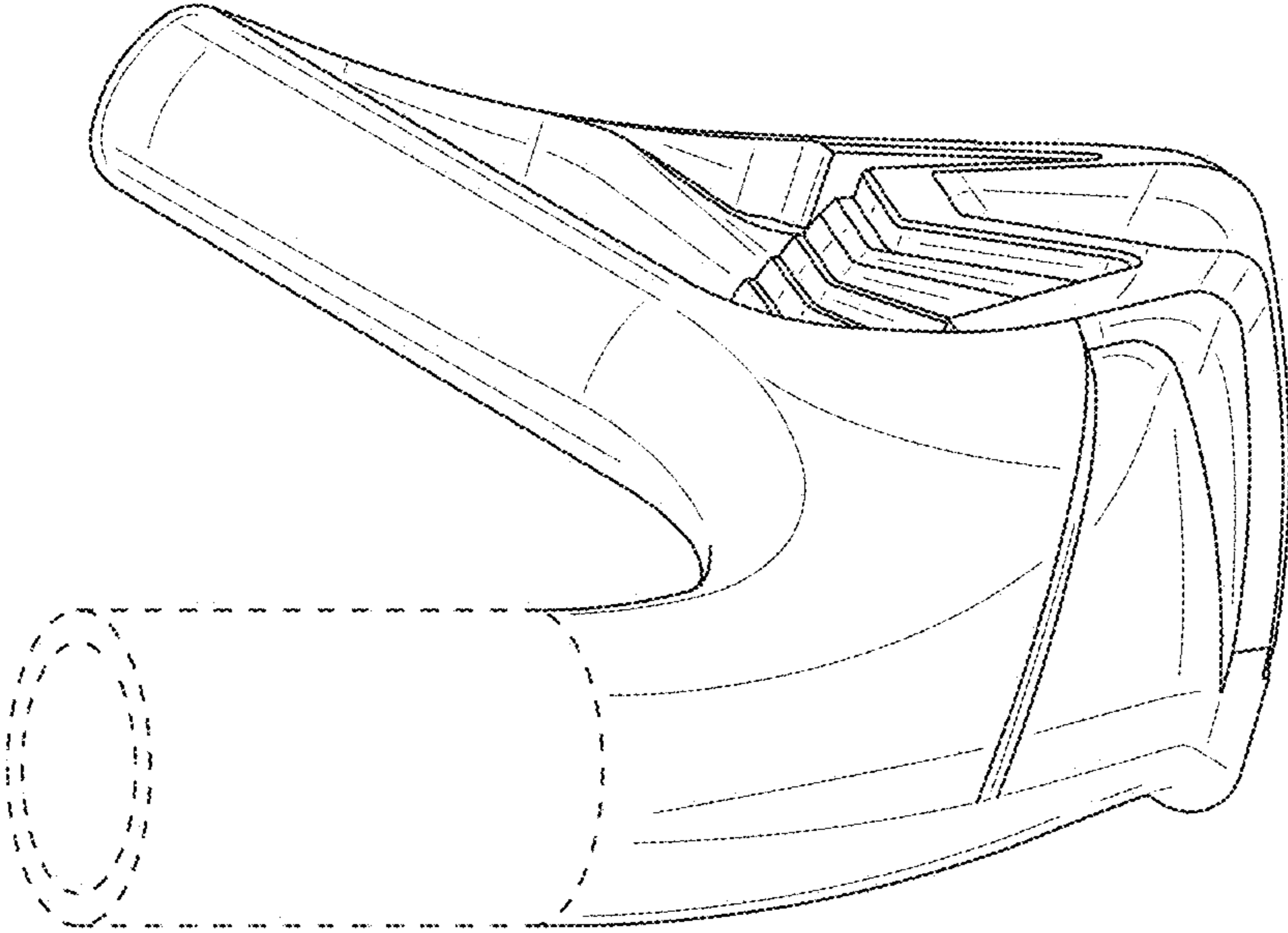


Fig. 7

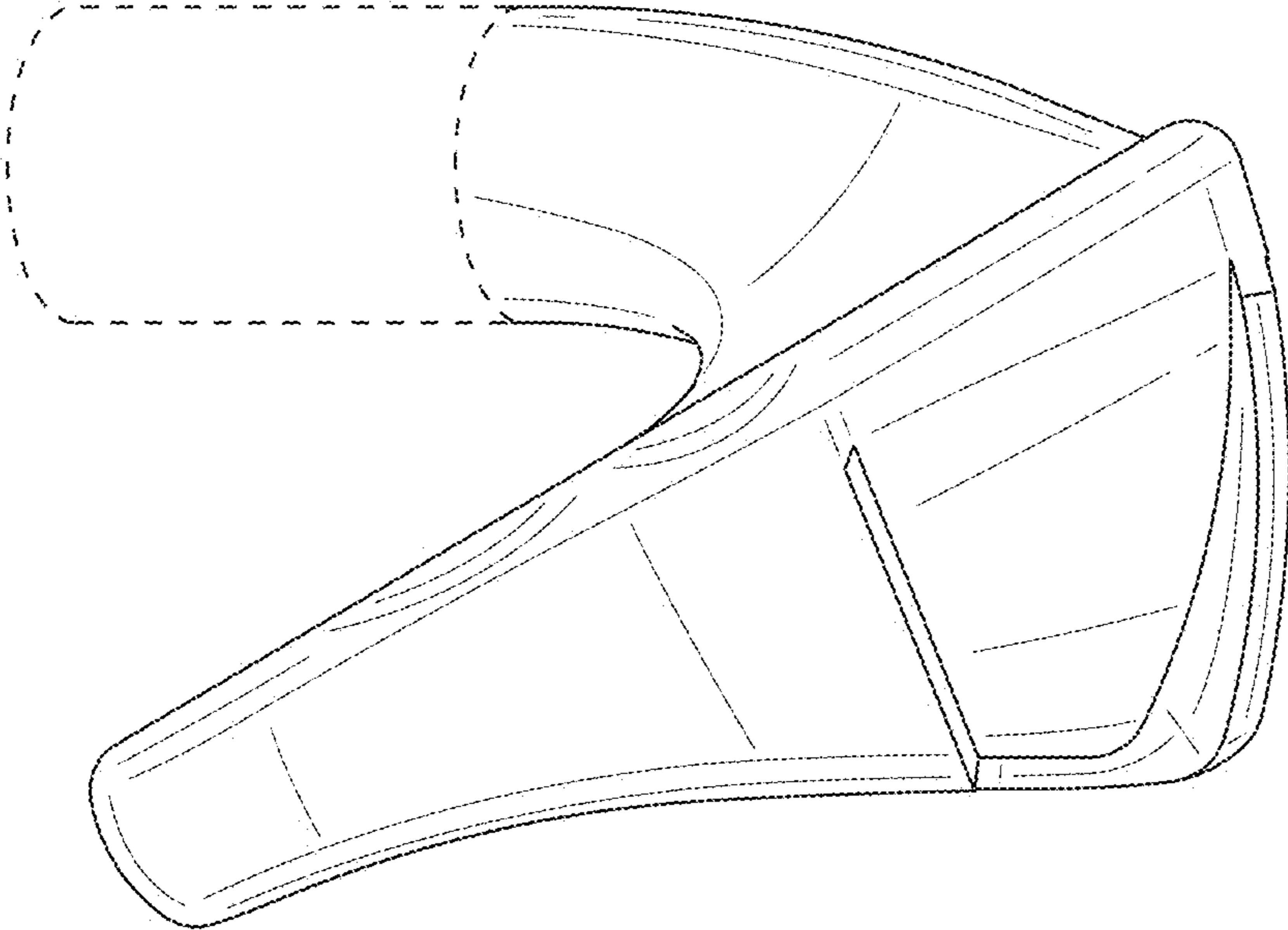


Fig. 8