



US00D708684S

(12) **United States Design Patent**
Myers

(10) **Patent No.:** **US D708,684 S**

(45) **Date of Patent:** **** Jul. 8, 2014**

(54) **GOLF PUTTER HEAD**

(71) Applicant: **Blake Myers**, Livermore, CA (US)

(72) Inventor: **Blake Myers**, Livermore, CA (US)

(73) Assignee: **Blake Myers**, Livermore, CA (US)

(**) Term: **14 Years**

(21) Appl. No.: **29/458,273**

(22) Filed: **Jun. 18, 2013**

(51) **LOC (10) Cl.** **21-02**

(52) **U.S. Cl.**
USPC **D21/743**

(58) **Field of Classification Search**
USPC D21/736-746, 759; 473/324-331,
473/340-341, 251-256
See application file for complete search history.

(56) **References Cited**

U.S. PATENT DOCUMENTS

D355,462 S * 2/1995 Wyatt D21/741
D368,504 S * 4/1996 Sommerhauser D21/734
D565,138 S * 3/2008 Wilson D21/743

D607,951 S * 1/2010 Teramoto D21/736
D669,145 S * 10/2012 Roland D21/736
2003/0144077 A1* 7/2003 Cullen 473/340

* cited by examiner

Primary Examiner — Mitchell Siegel

(74) *Attorney, Agent, or Firm* — Dergosits & Noah LLP

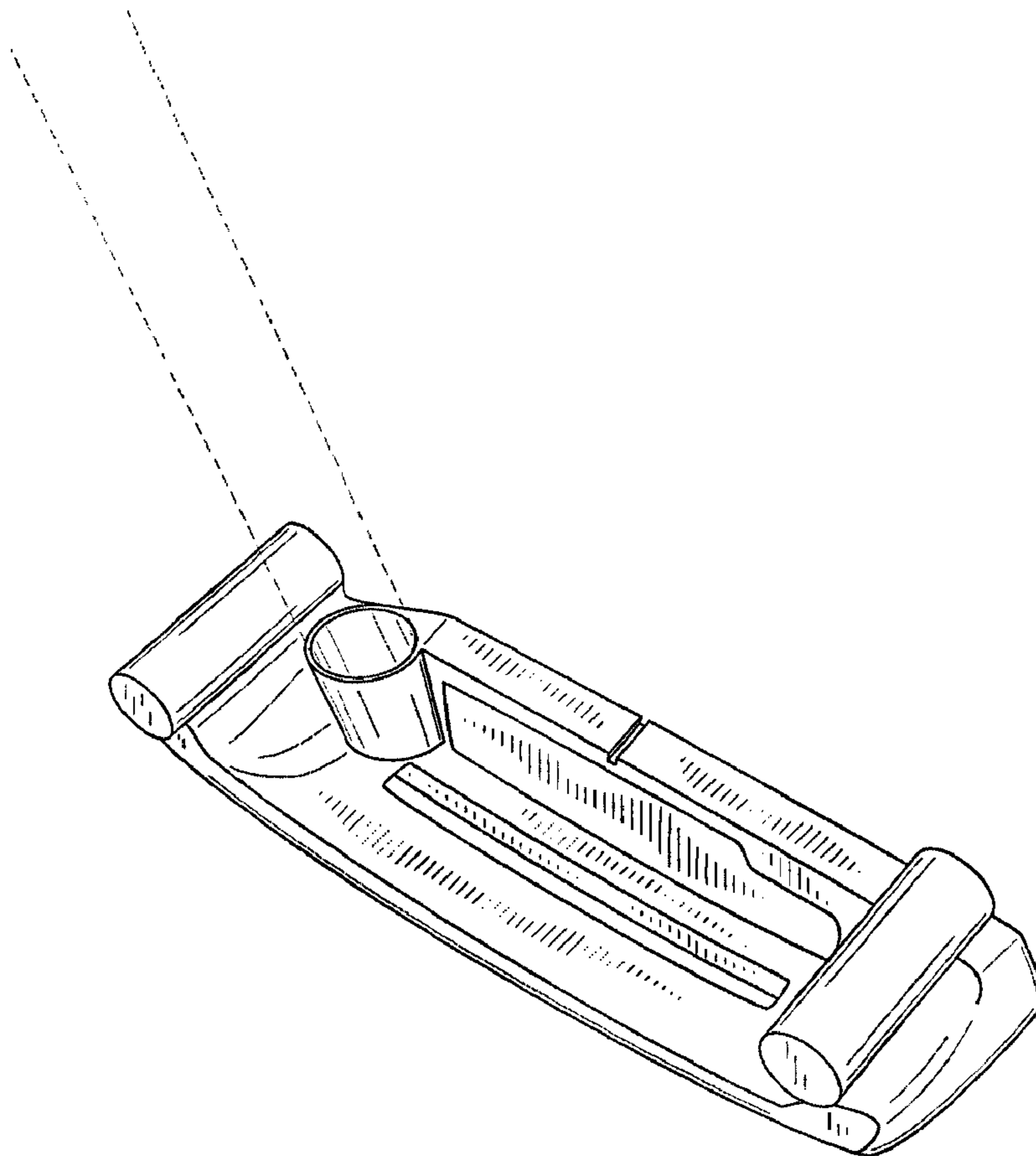
(57) **CLAIM**

The ornamental design for a golf putter head, as shown and described.

DESCRIPTION

FIG. 1 is a front perspective view of the golf putter head; FIG. 2 is a front view of the golf putter head of FIG. 1; FIG. 3 is a rear view of the golf putter head of FIG. 1; FIG. 4 is a front elevational view of the golf putter head of FIG. 1; FIG. 5 is a rear elevational view of the golf putter head of FIG. 1, opposite to the view shown in FIG. 4; FIG. 6 is a top plan view of the golf putter head of FIG. 1; and, FIG. 7 is a bottom view of the golf putter head of FIG. 1, opposite to the view shown in FIG. 6. The broken lines shown is included for the purpose of illustrating and forms no part of the claimed design.

1 Claim, 3 Drawing Sheets



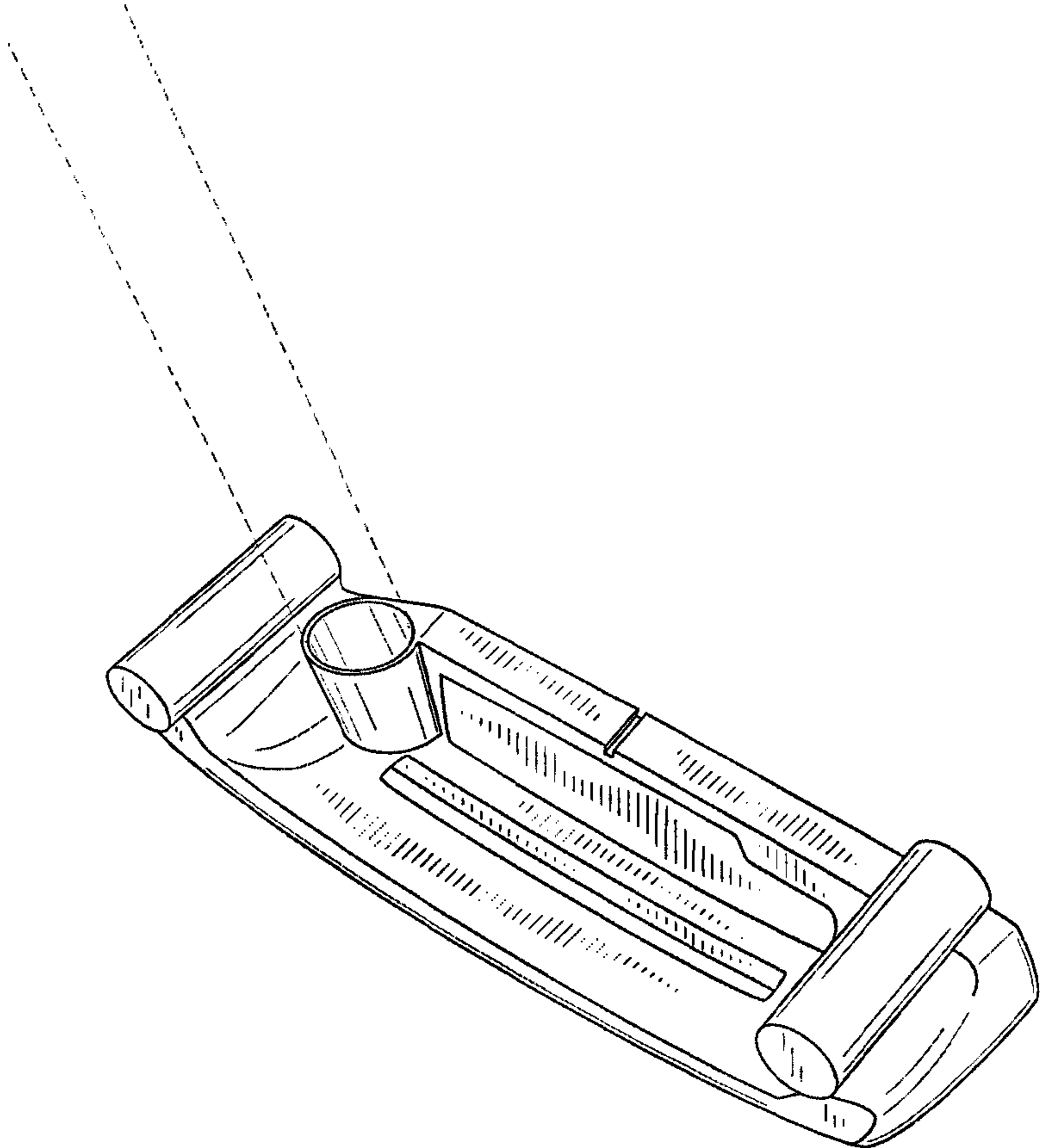


FIG. 1

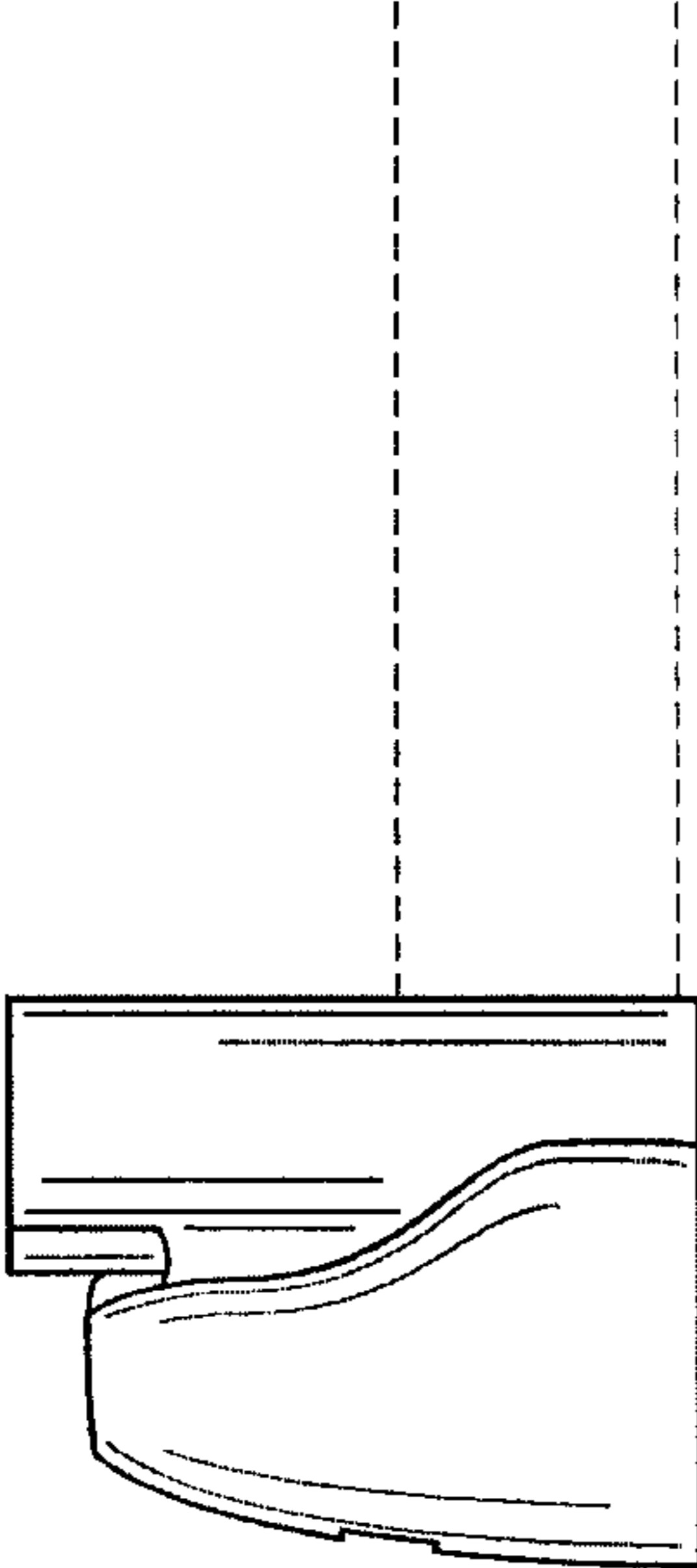


FIG. 2

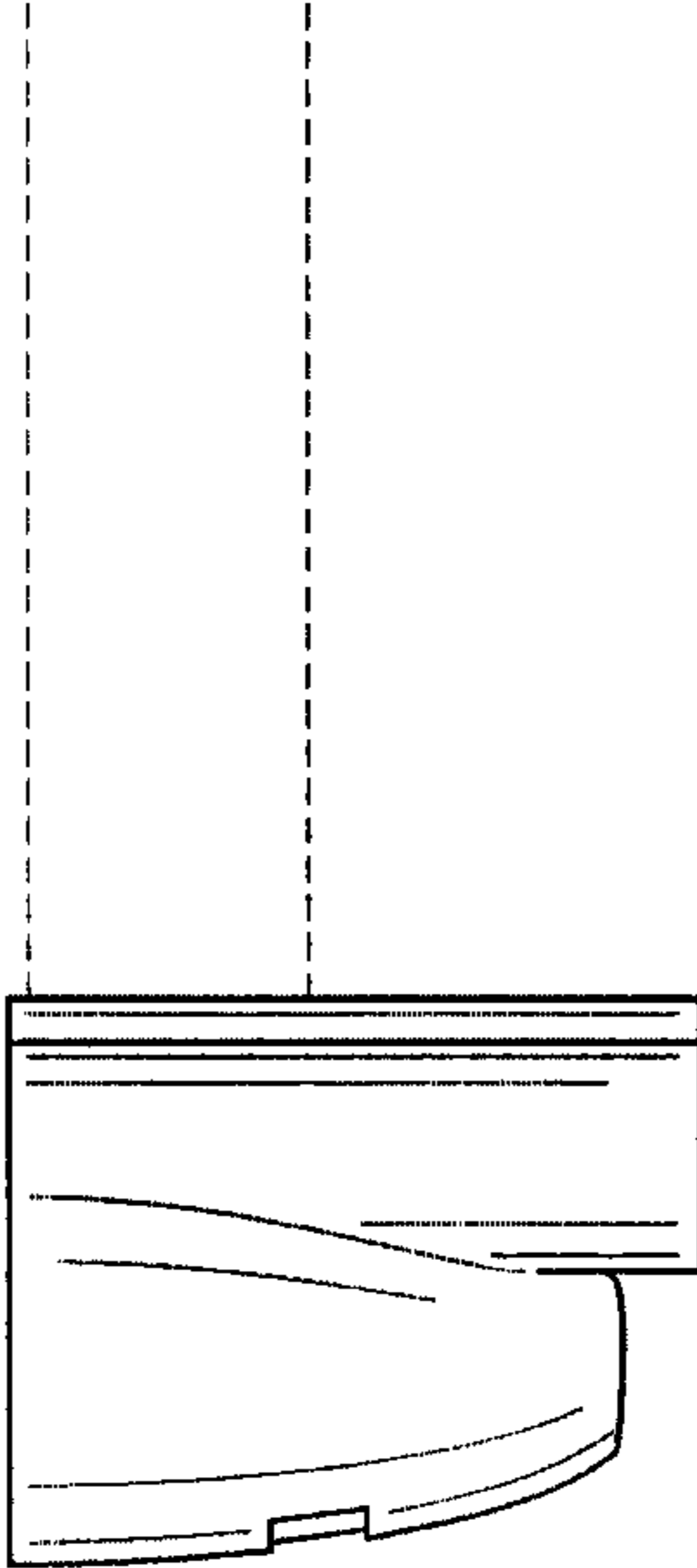


FIG. 3

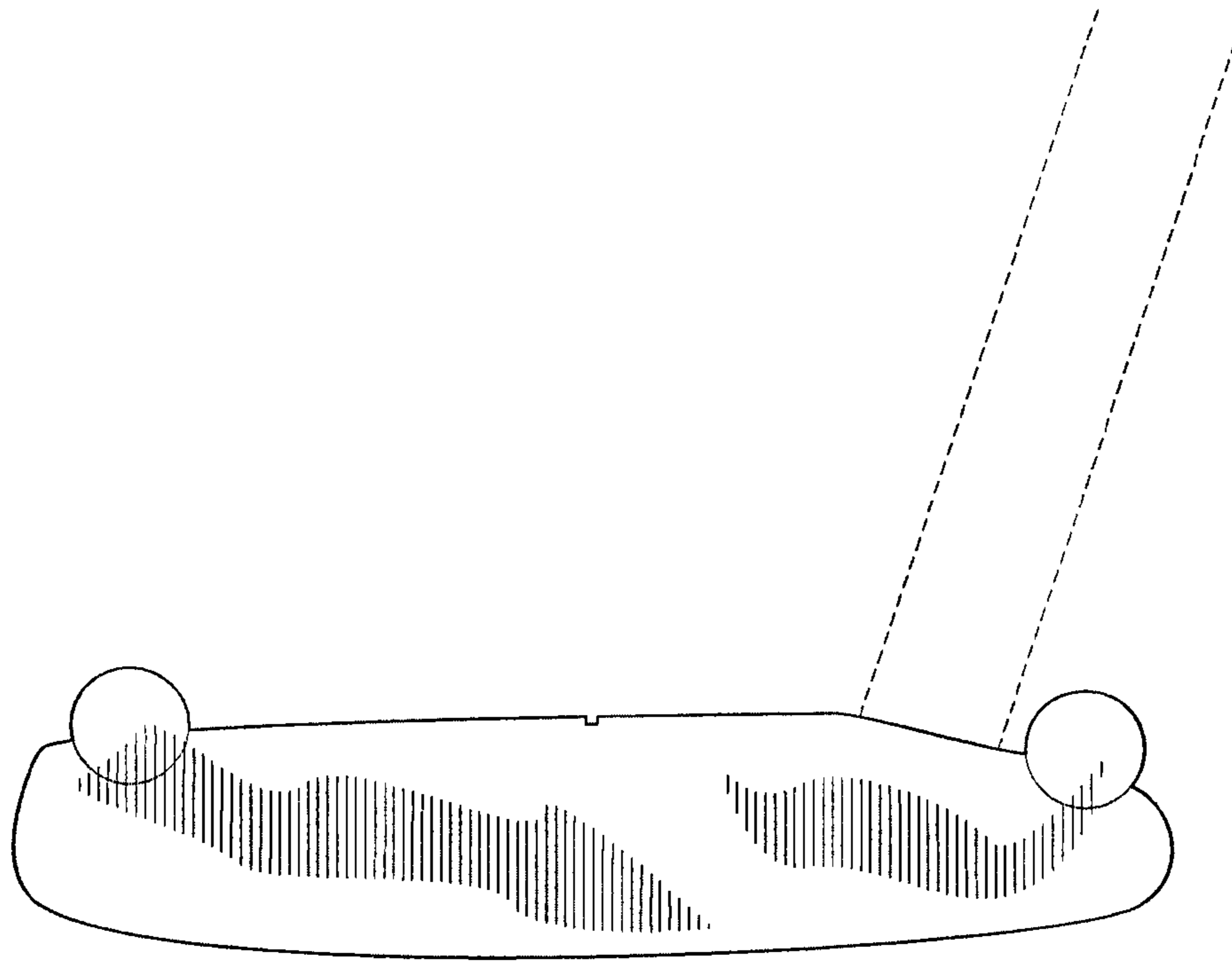


FIG. 4

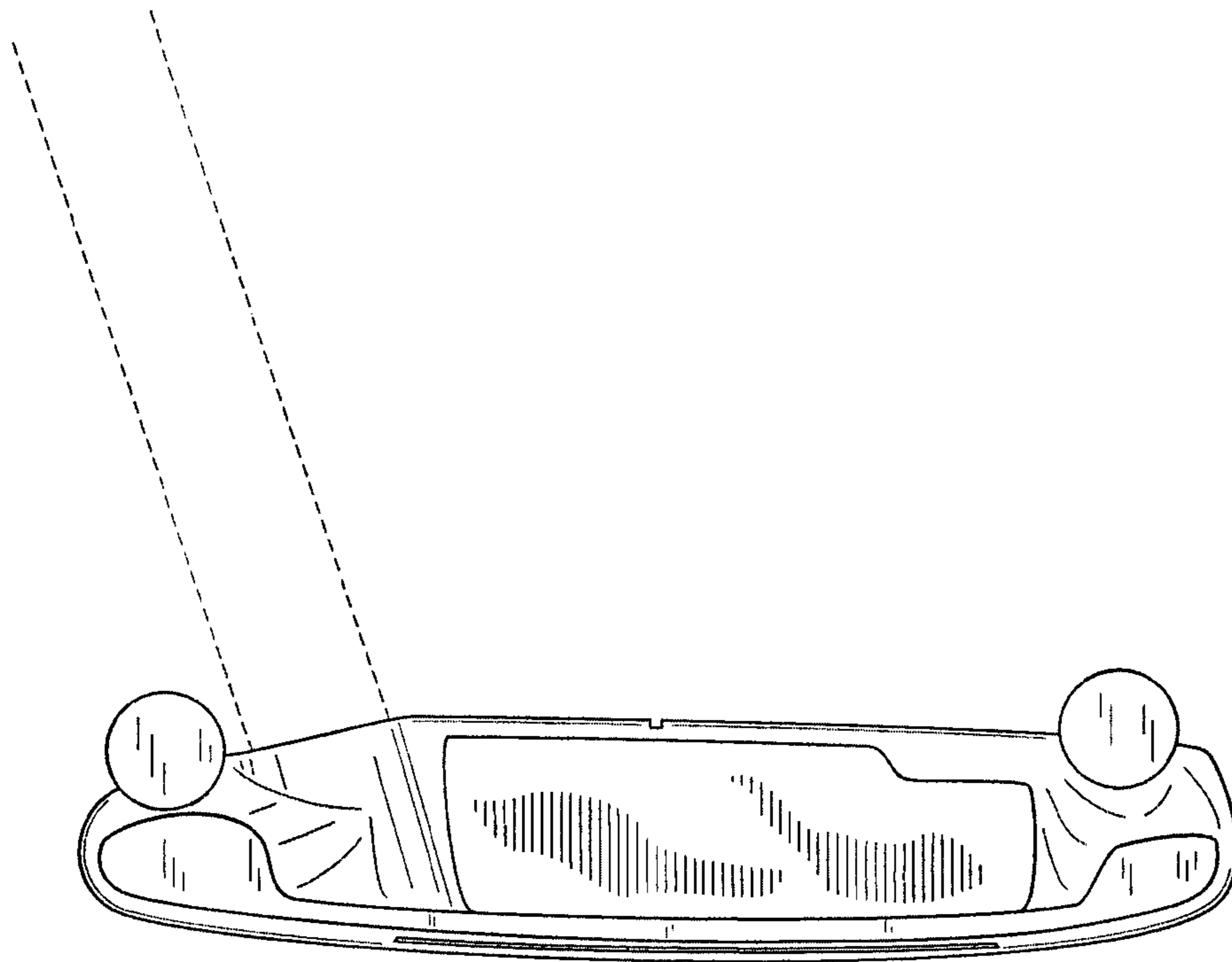


FIG. 5

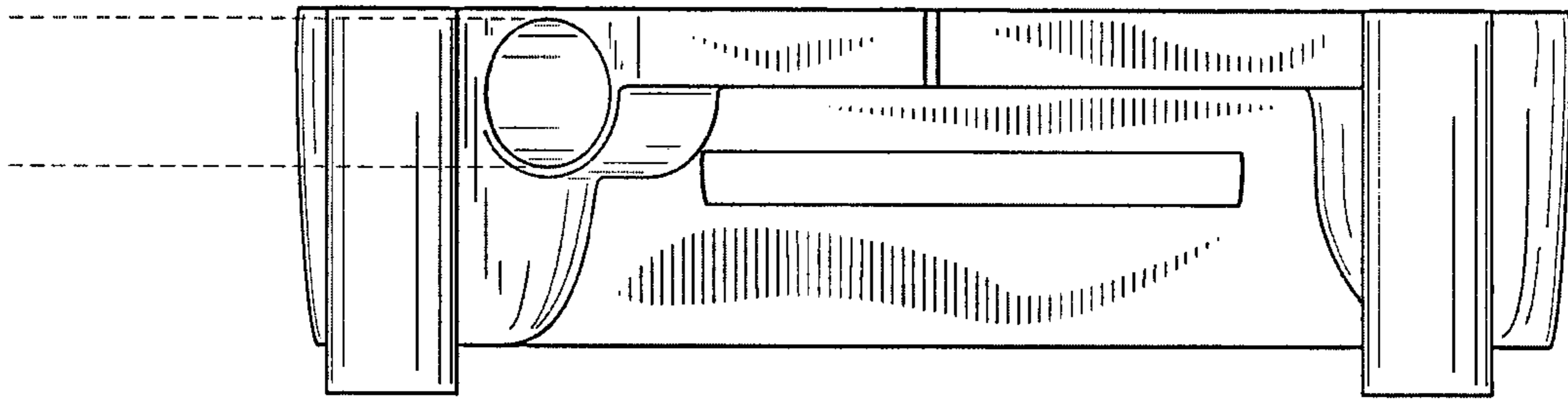


FIG. 6

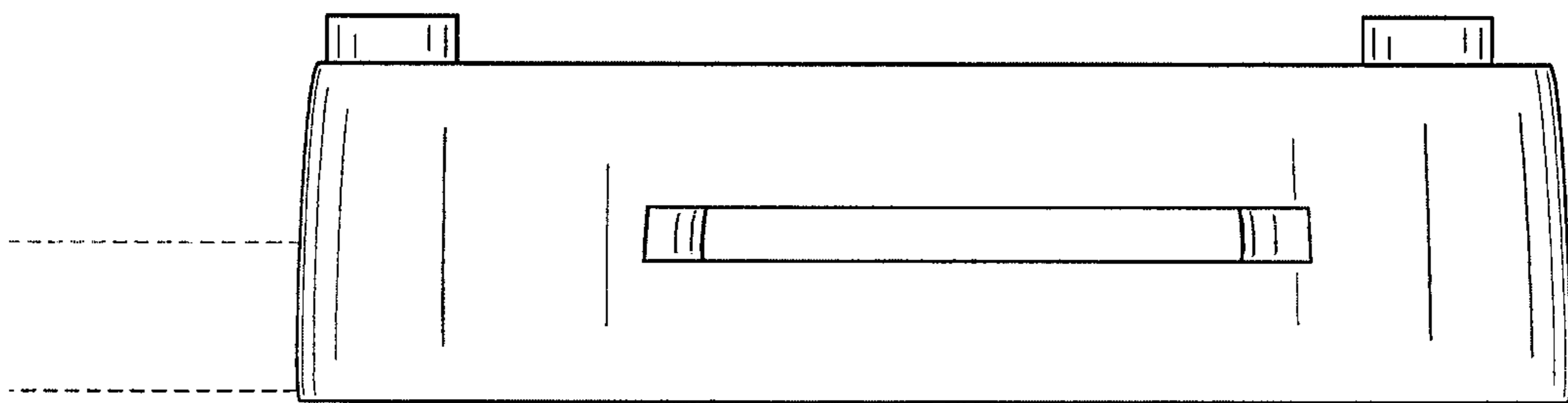


FIG. 7