



US00D708682S

(12) **United States Design Patent**
Jones et al.

(10) **Patent No.:** **US D708,682 S**
(45) **Date of Patent:** **** Jul. 8, 2014**

(54) **DEVICE FOR VARYING RANGE OF MOTION FOR BARBELL EXERCISE**

(71) Applicant: **James Madison Innovations,**
Harrisonburg, VA (US)

(72) Inventors: **Justin Scott Jones,** Harrisonburg, VA (US); **Corey Marc Anderson,** Burleson, TX (US); **Jim Durning,** Harrisburg, NC (US)

(73) Assignee: **James Madison Innovations, Inc.,**
Harrisonburg, VA (US)

(**) Term: **14 Years**

(21) Appl. No.: **29/444,184**

(22) Filed: **Jan. 28, 2013**

(51) **LOC (10) Cl.** **21-02**

(52) **U.S. Cl.**
USPC **D21/680**

(58) **Field of Classification Search**
USPC D21/662, 680, 682, 683, 684, 694;
482/91, 93, 104, 105, 106, 107, 108,
482/109

See application file for complete search history.

(56) **References Cited**

U.S. PATENT DOCUMENTS

4,103,887 A * 8/1978 Shoofler 482/106
6,099,441 A * 8/2000 Bonnet 482/93

D433,470 S * 11/2000 Geller et al. D21/683
6,682,464 B2 * 1/2004 Shifferaw 482/106
7,011,611 B1 * 3/2006 Ripley 482/107
D616,950 S * 6/2010 Hersee et al. D21/682
D644,701 S * 9/2011 Towley et al. D21/681
D672,414 S * 12/2012 Januszek D21/680

* cited by examiner

Primary Examiner — Phillip S Hyder

(74) *Attorney, Agent, or Firm* — Jordan IP law, LLC; Todd A. Vaughn

(57) **CLAIM**

The ornamental design for a device for varying range of motion for barbell exercise, as shown.

DESCRIPTION

FIG. 1 illustrates a perspective view of a device for varying range of motion for barbell exercise.

FIG. 2 illustrates a front view of the device for varying range of motion for barbell exercise.

FIG. 3 illustrates a rear view of the device for varying range of motion for barbell exercise.

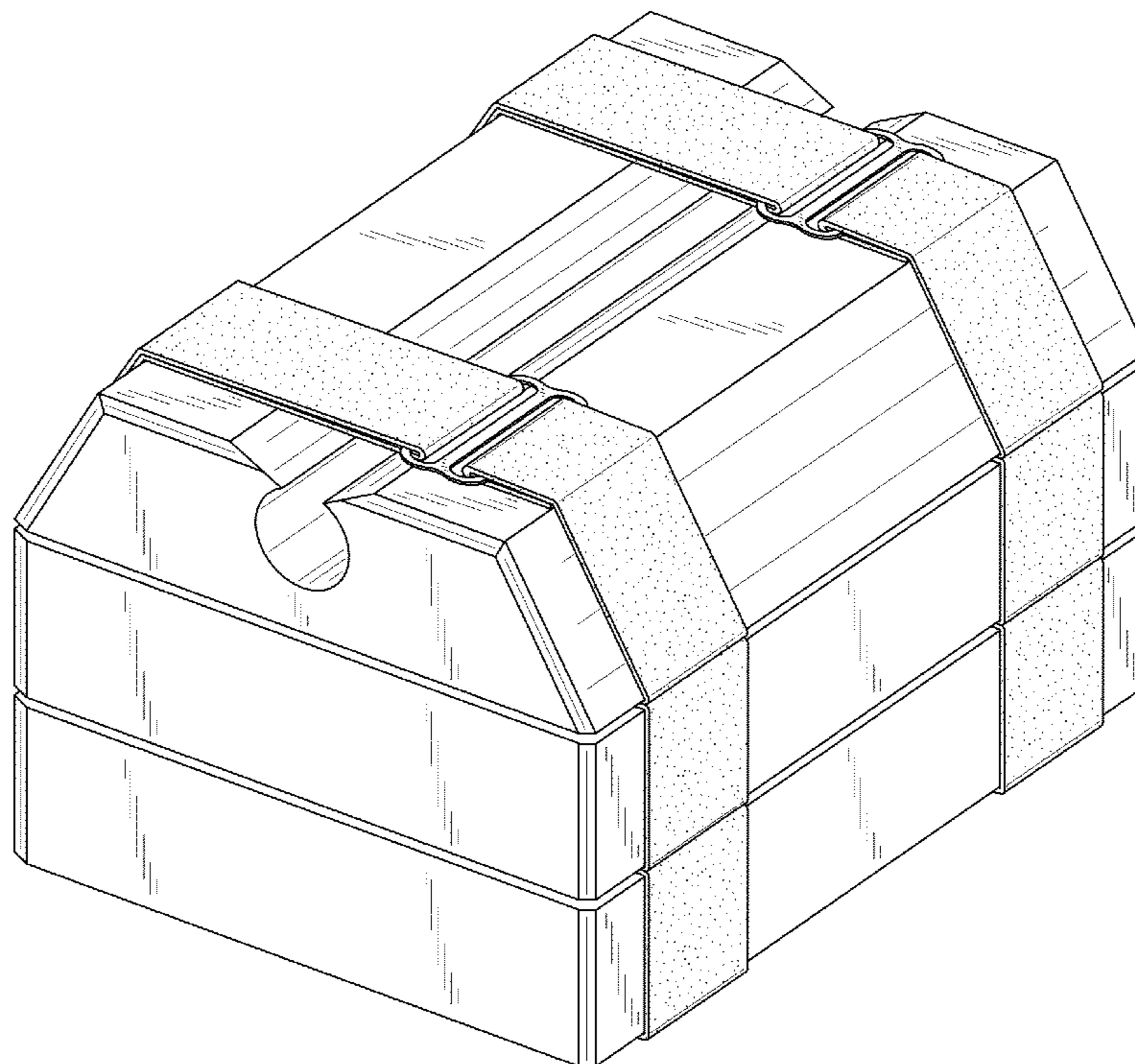
FIGS. 4 and 5 illustrate side views of the device for varying range of motion for barbell exercise.

FIG. 6 illustrates a top view of the device for varying range of motion for barbell exercise; and,

FIG. 7 illustrates a bottom view of the device for varying range of motion for barbell exercise.

The broken line showing is included for the purpose of illustrating environmental structure and forms no part of the claimed design.

1 Claim, 7 Drawing Sheets



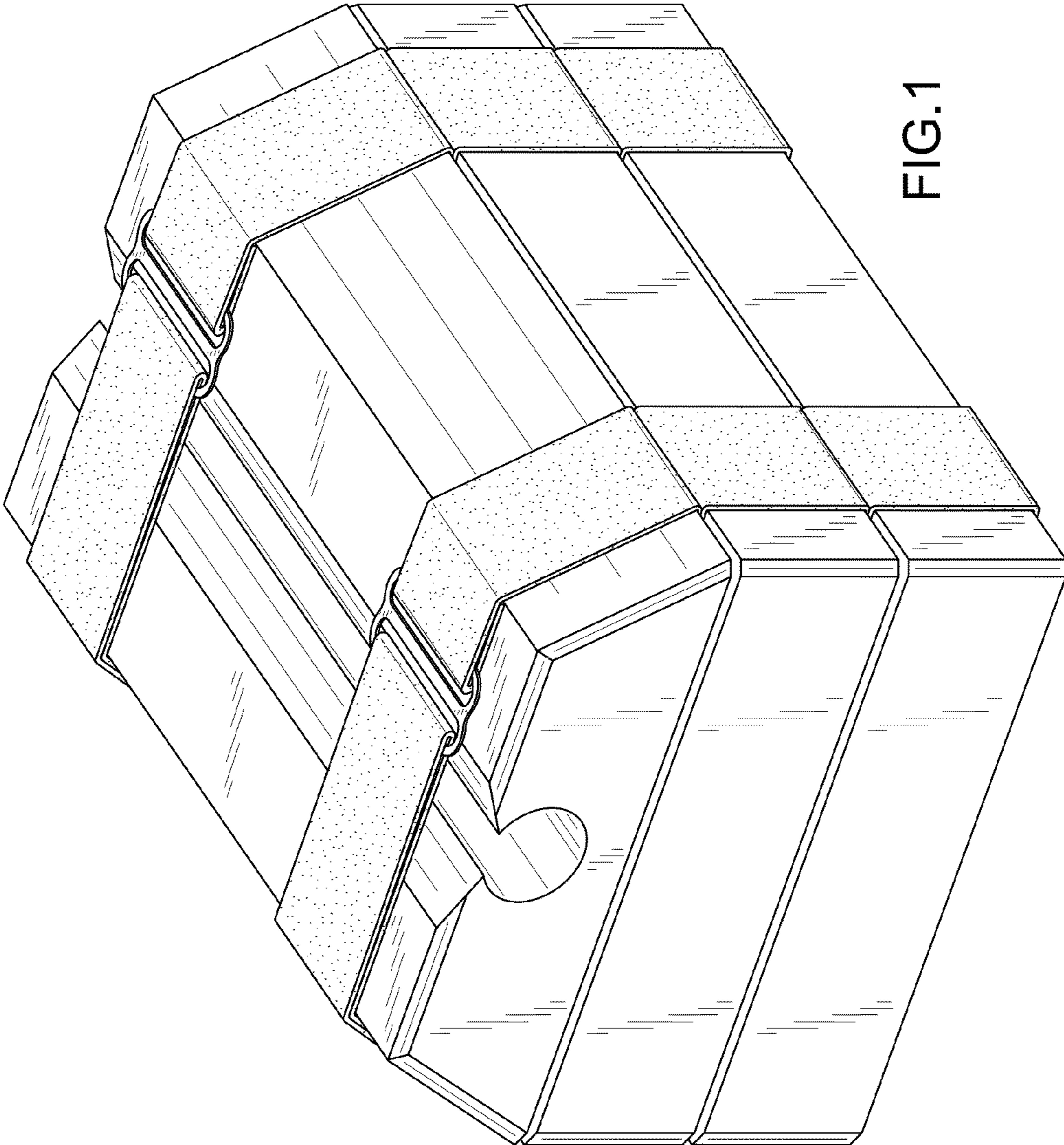


FIG. 1

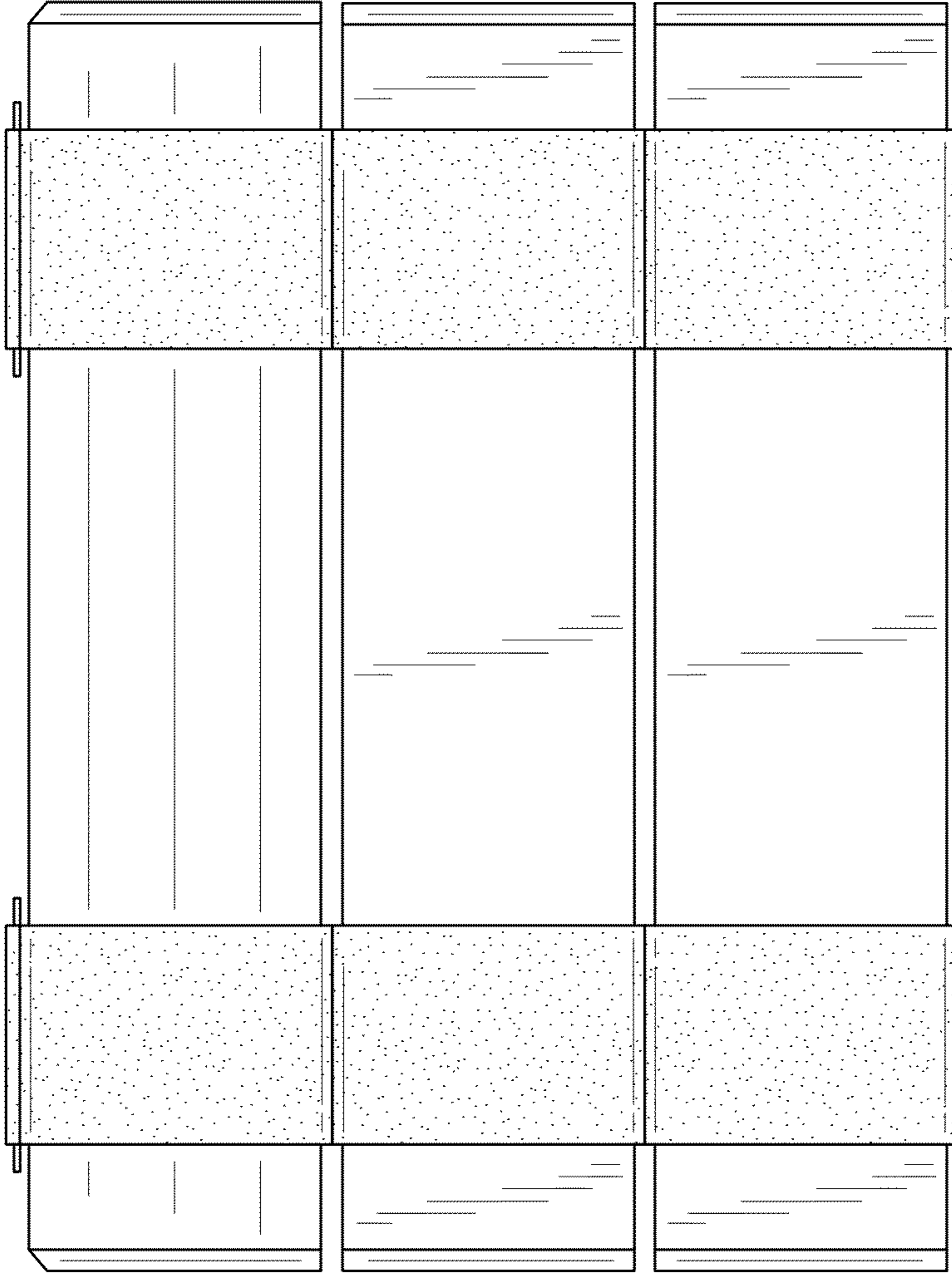


FIG.2

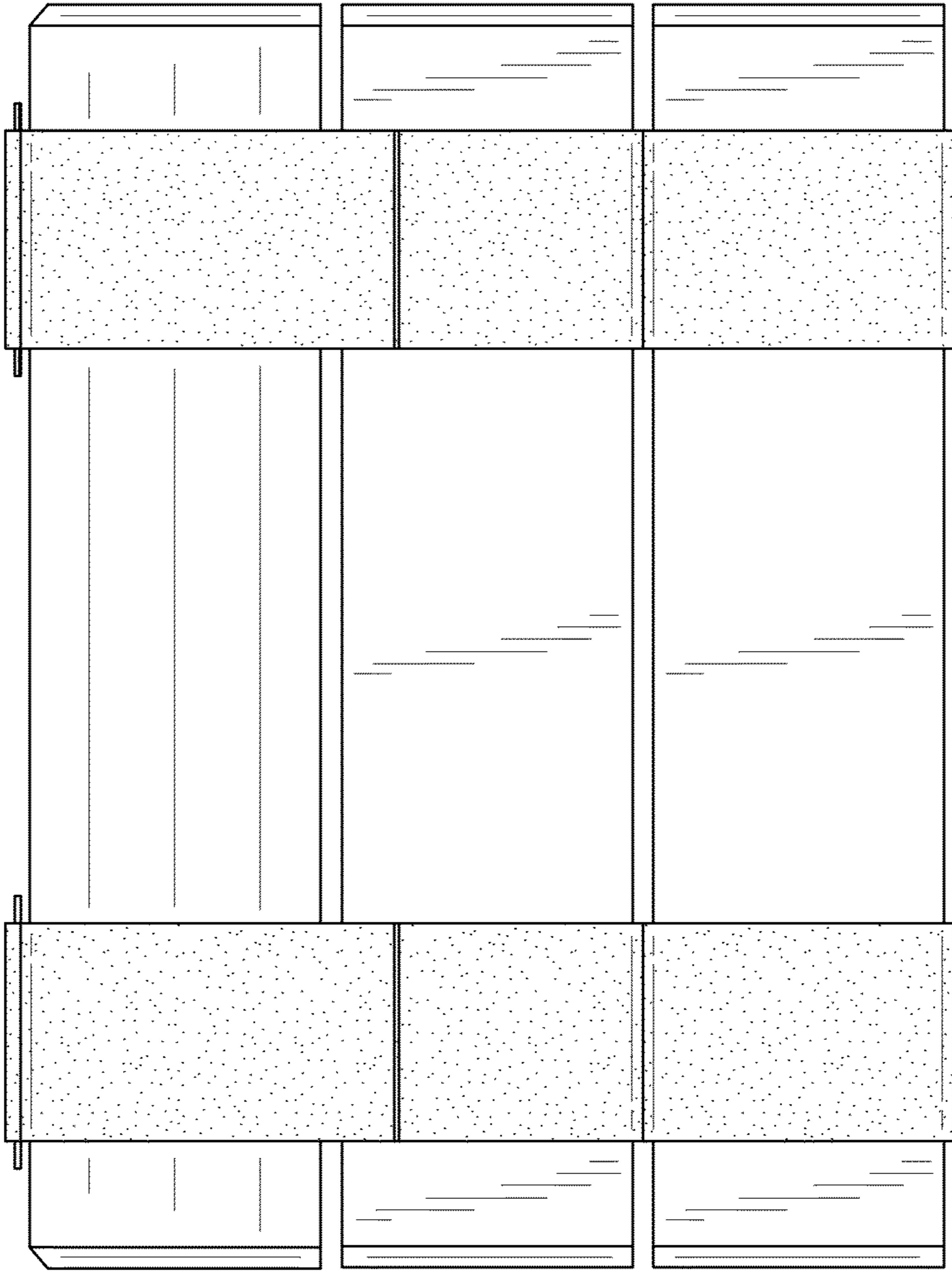


FIG.3

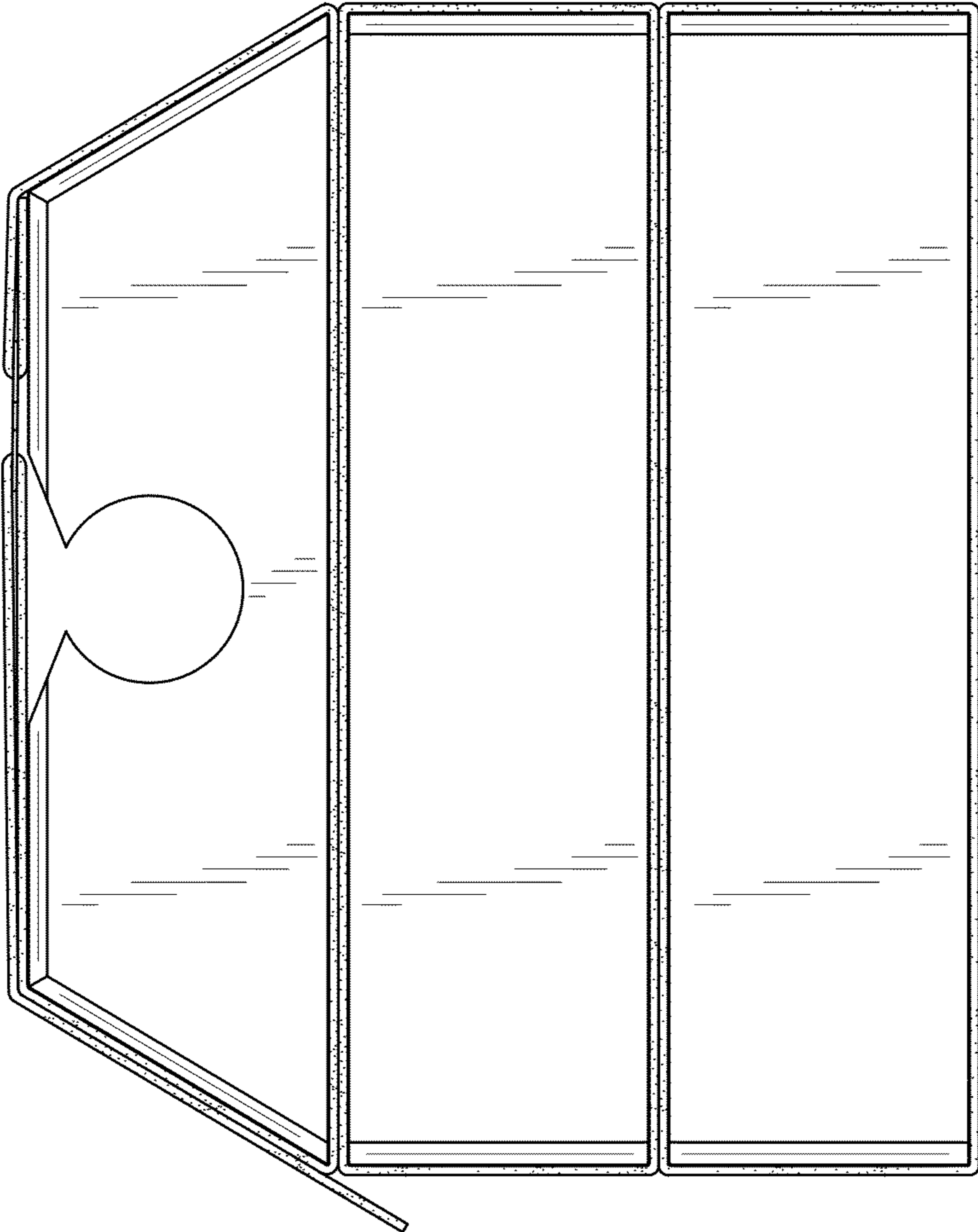


FIG.4

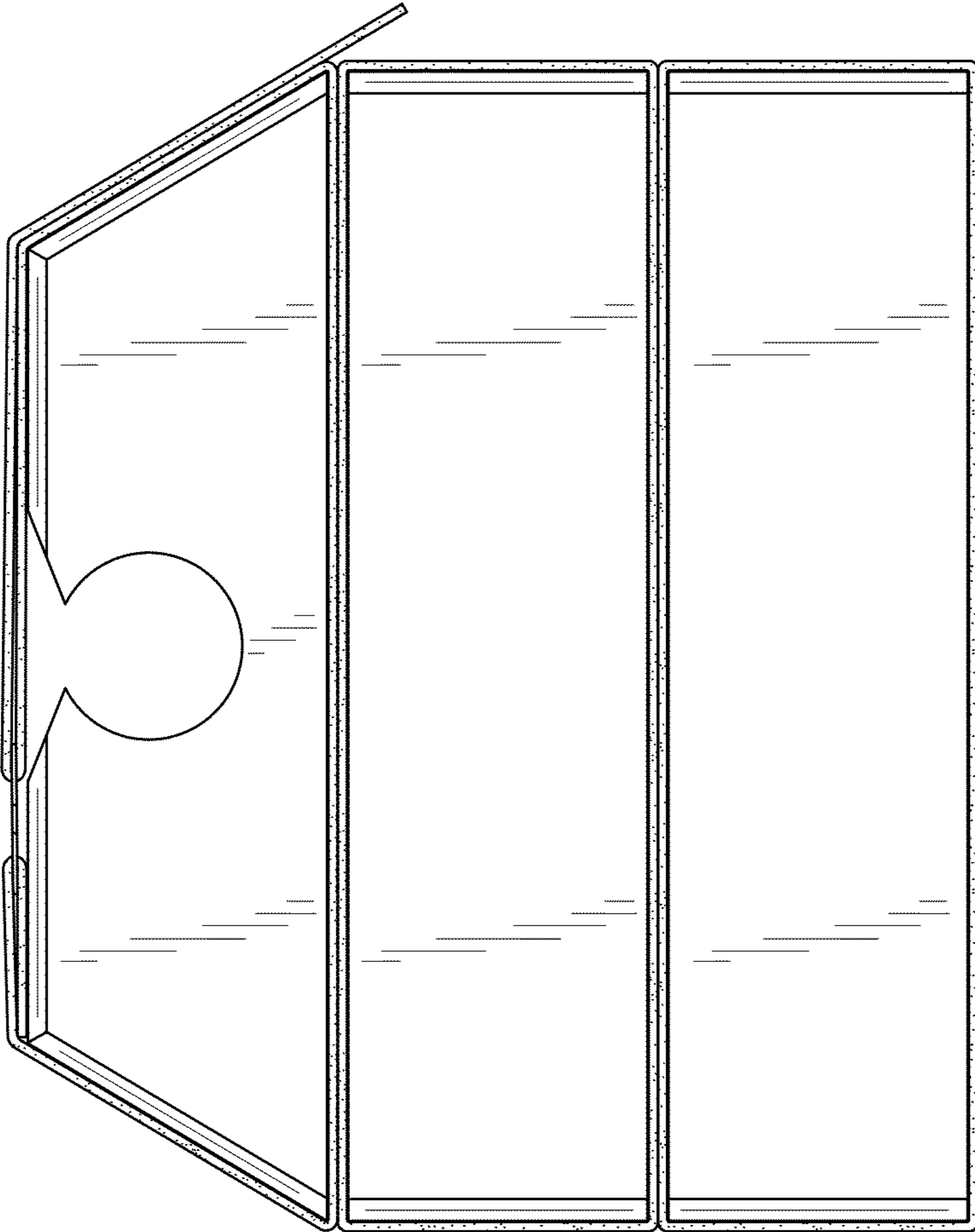


FIG.5

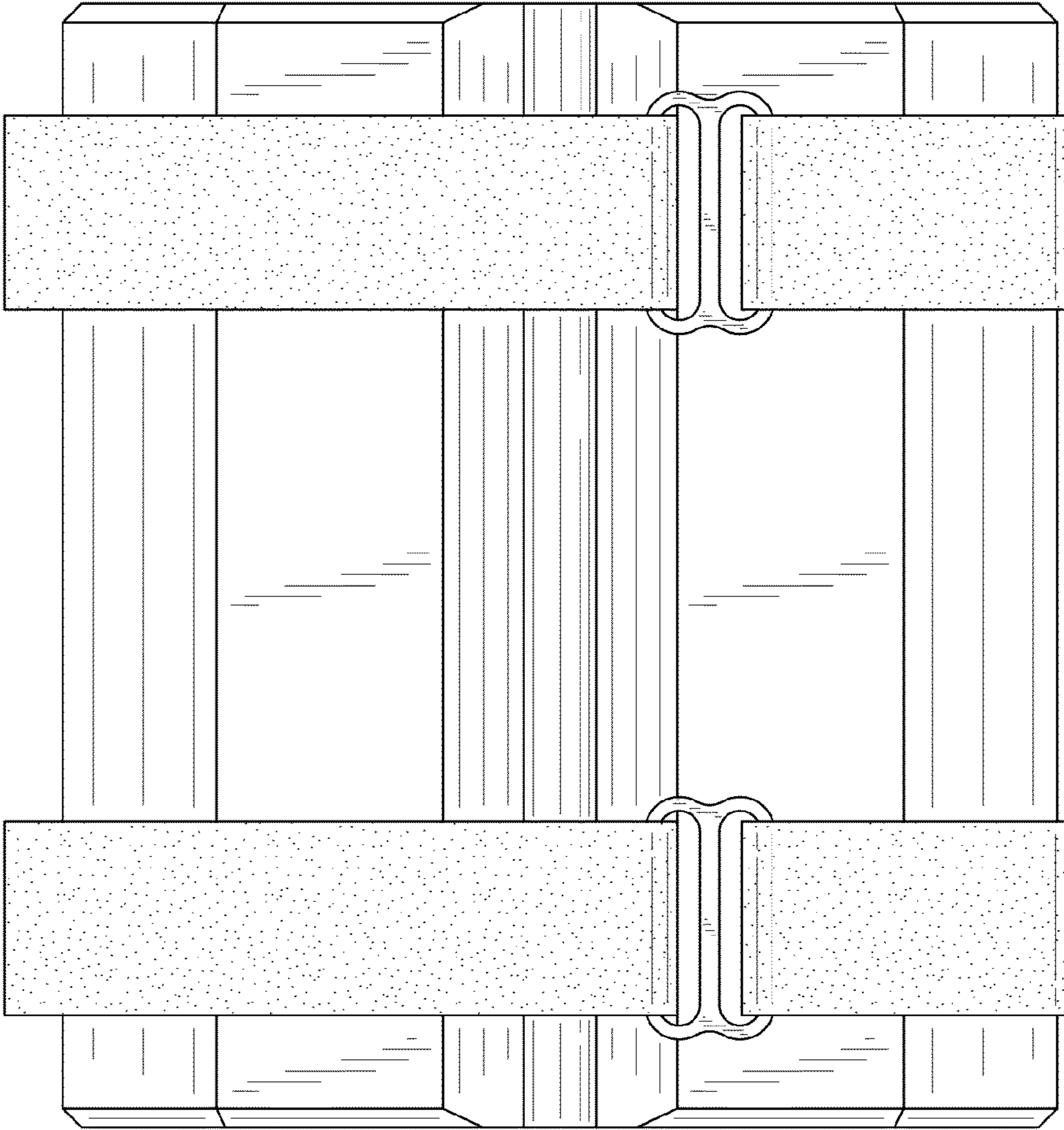


FIG.6

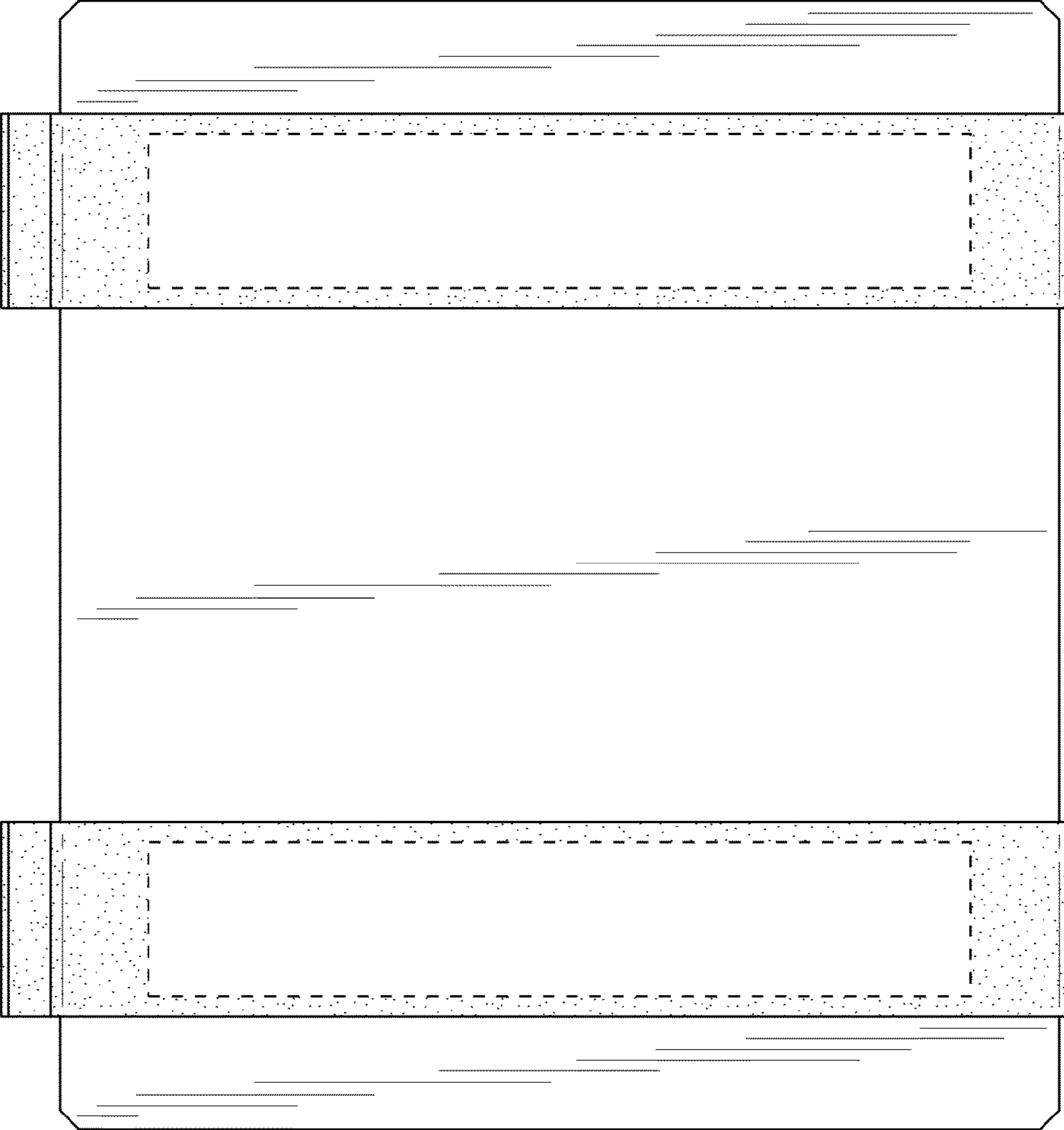


FIG.7