



US00D708681S

(12) **United States Design Patent**
Italia

(10) **Patent No.:** **US D708,681 S**

(45) **Date of Patent:** **** Jul. 8, 2014**

(54) **PAINTBALL LOADER**

(71) Applicant: **GI Sportz, Inc.**, St. Laurent (CA)

(72) Inventor: **Richmond Italia**, Montreal (CA)

(73) Assignee: **G.I. Sportz, Inc.**, St. Laurent, Quebec (CA)

(**) Term: **14 Years**

(21) Appl. No.: **29/454,047**

(22) Filed: **May 6, 2013**

(51) **LOC (10) Cl.** **21-01**

(52) **U.S. Cl.**
USPC **D21/573**

(58) **Field of Classification Search**
USPC D21/567, 570-575; D22/100, 101, 103,
D22/104, 108, 109; 124/41.1, 45, 48, 49,
124/51.1, 52, 55, 56, 69, 70-74, 79, 82
See application file for complete search history.

(56) **References Cited**

U.S. PATENT DOCUMENTS

6,725,852 B1 * 4/2004 Yokota et al. 124/49
D572,318 S * 7/2008 Broersma D21/573
D584,776 S * 1/2009 Stevens D21/573
D597,152 S * 7/2009 Kaakkola et al. D21/573
D602,537 S * 10/2009 Stevens D21/573

D631,516 S * 1/2011 Kaakkola et al. D21/570
8,387,607 B2 * 3/2013 Christopher et al. 124/51.1
2006/0054151 A1 * 3/2006 Christopher et al. 124/48

* cited by examiner

Primary Examiner — Cynthia M Chin

(74) *Attorney, Agent, or Firm* — Simple IP Law, P.C.

(57) **CLAIM**

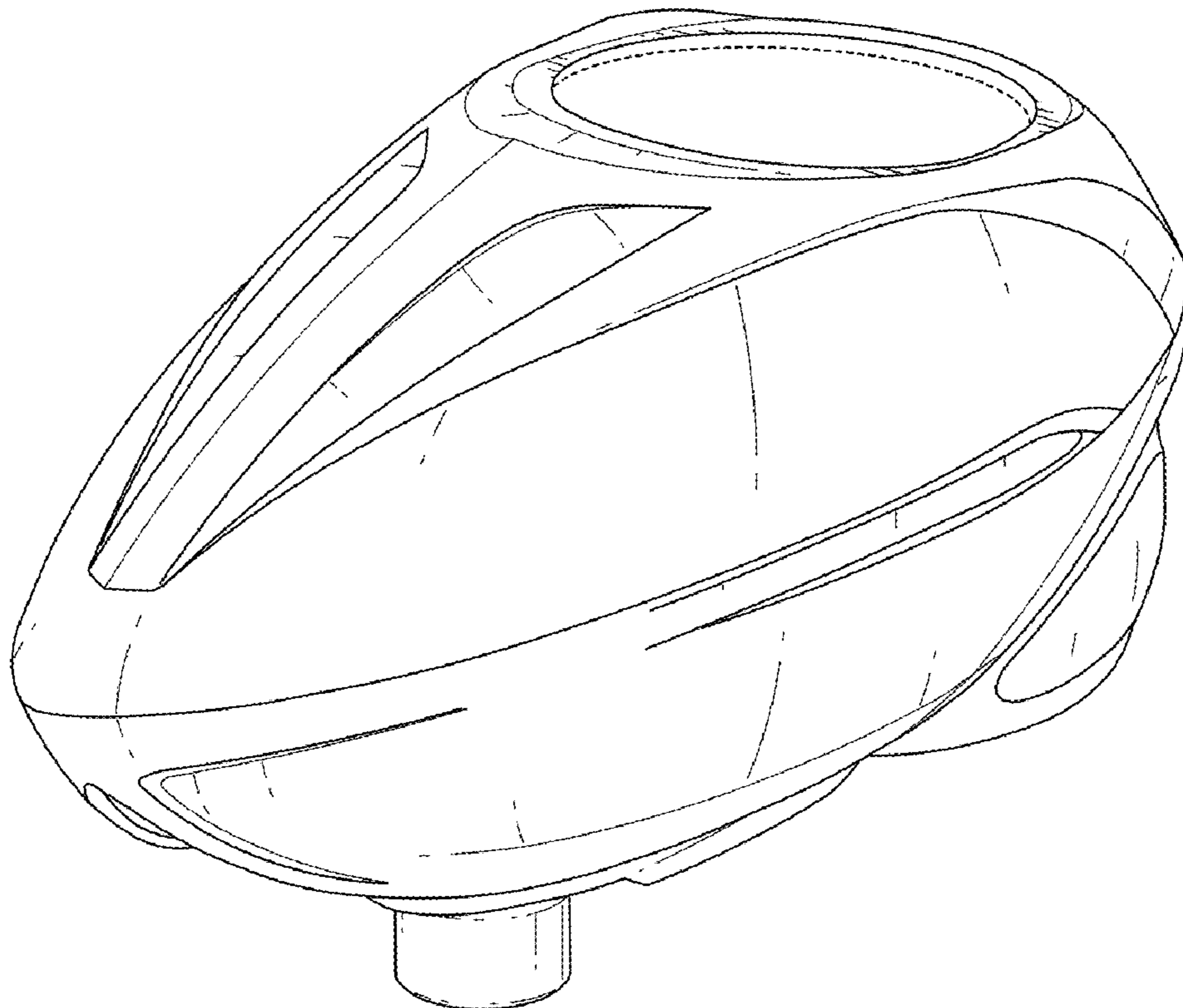
The ornamental design for a paintball loader, as shown and described.

DESCRIPTION

FIG. 1 is a perspective view of a body for a paintball loader;
FIG. 2 is a rear elevation view of the body for a paintball loader;
FIG. 3 is a front elevation view of the body for a paintball loader;
FIG. 4 is a side elevation view of the body for a paintball loader;
FIG. 5 is an opposite side elevation view of the body for a paintball loader;
FIG. 6 is a top plan view of a body for the paintball loader;
and,
FIG. 7 is s a bottom plan view of the body for a paintball loader.

The portions of the article shown in broken lines form no part of the claimed design.

1 Claim, 4 Drawing Sheets



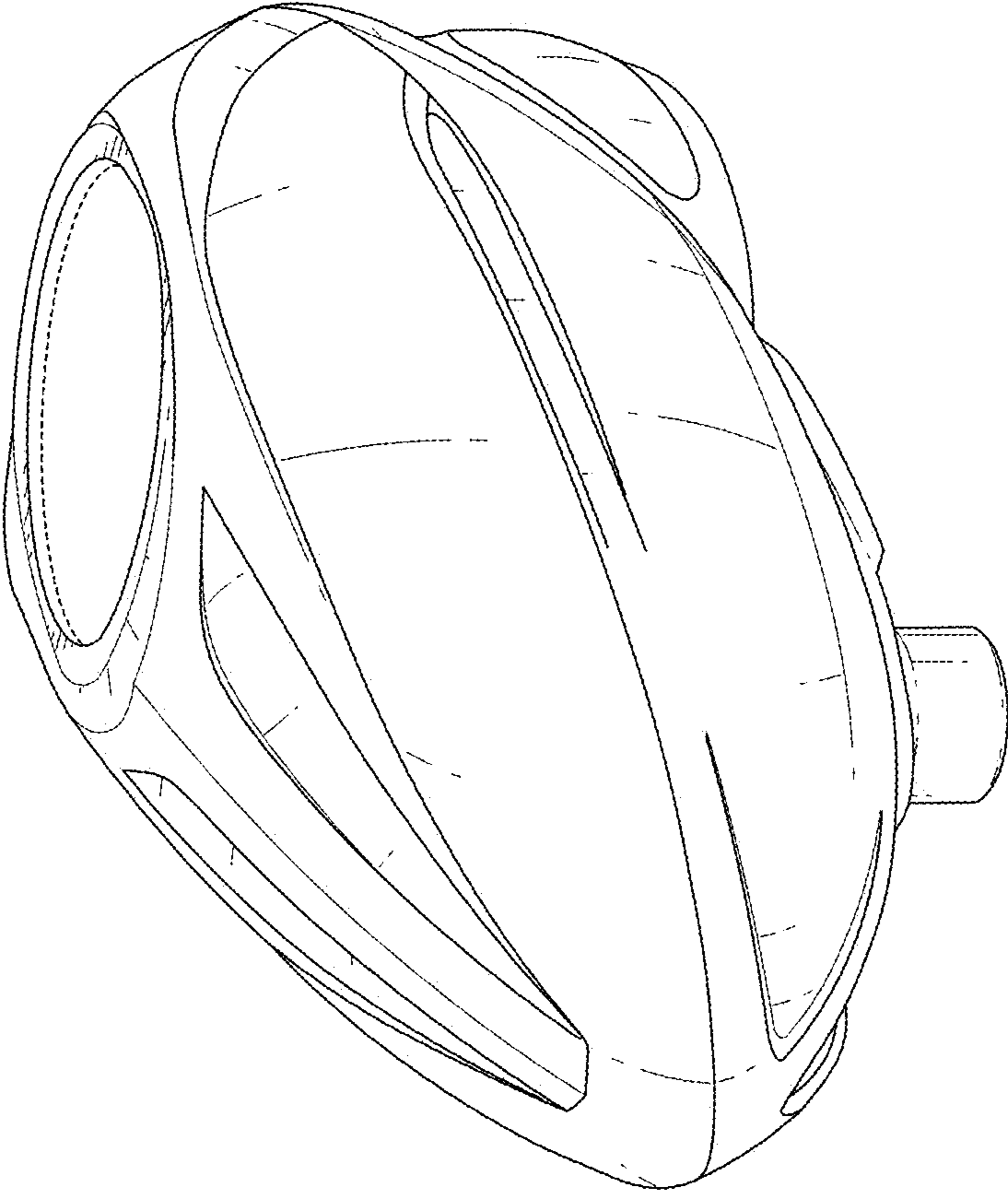


FIG. 1

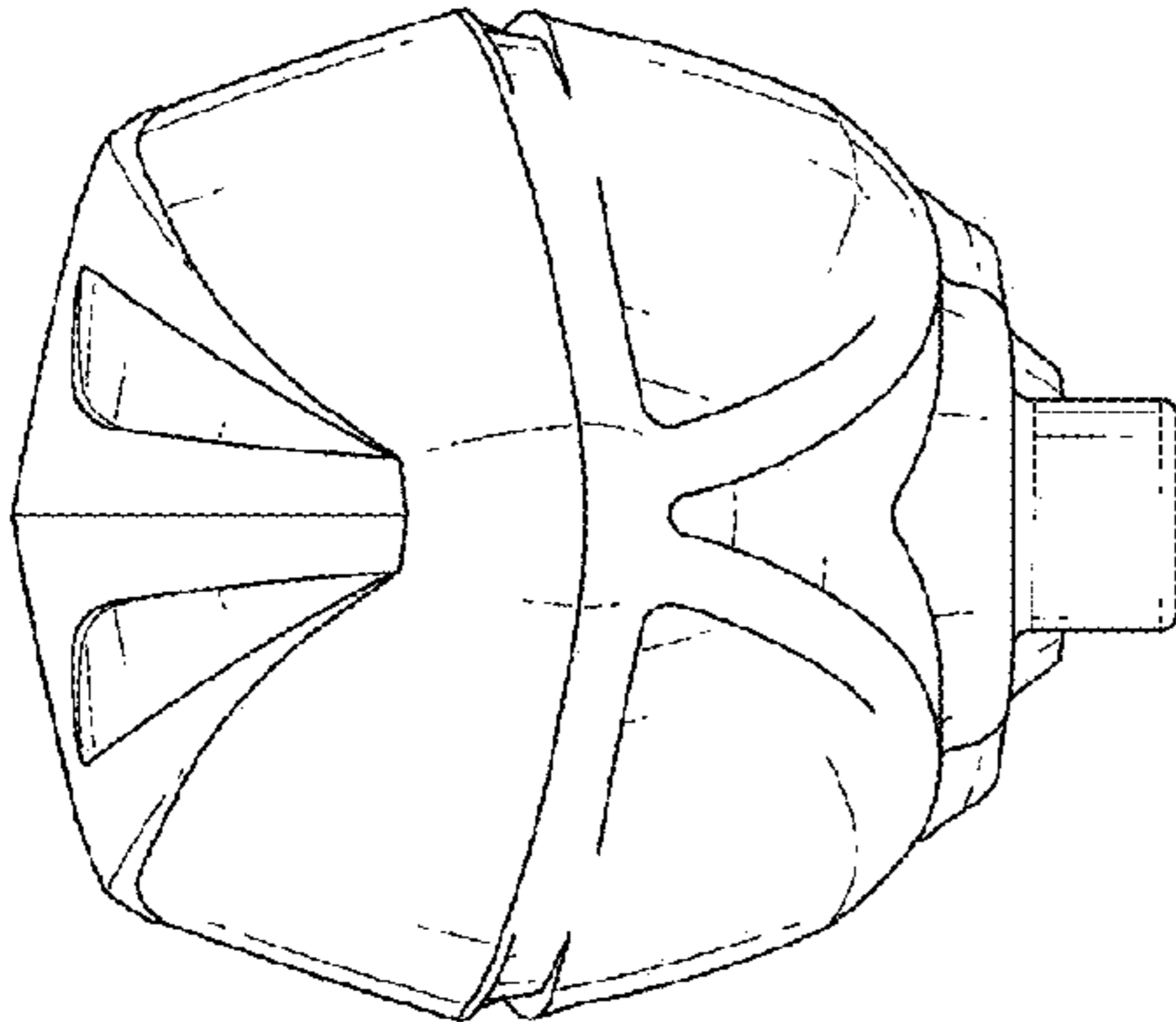


FIG. 2

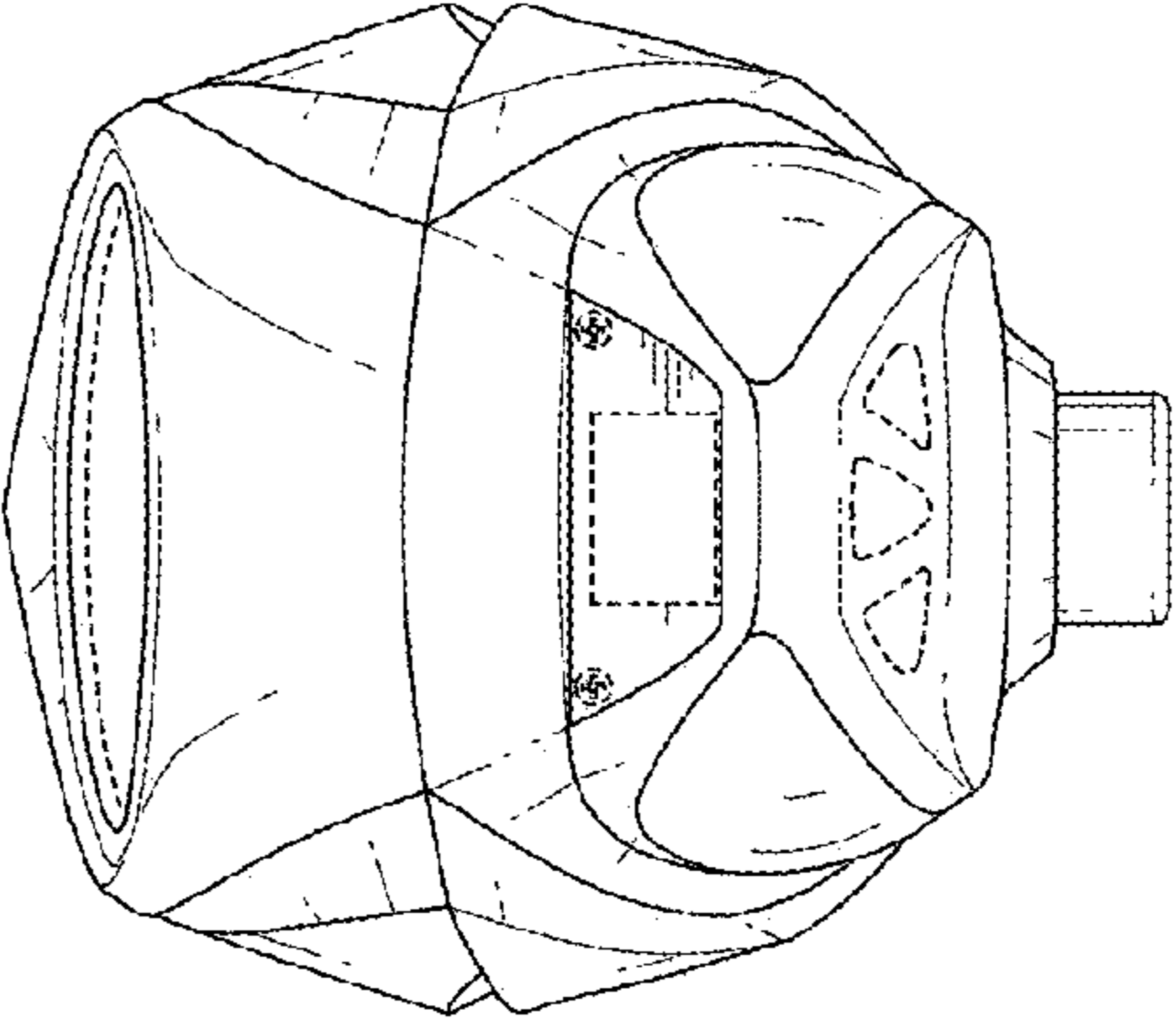


FIG. 3

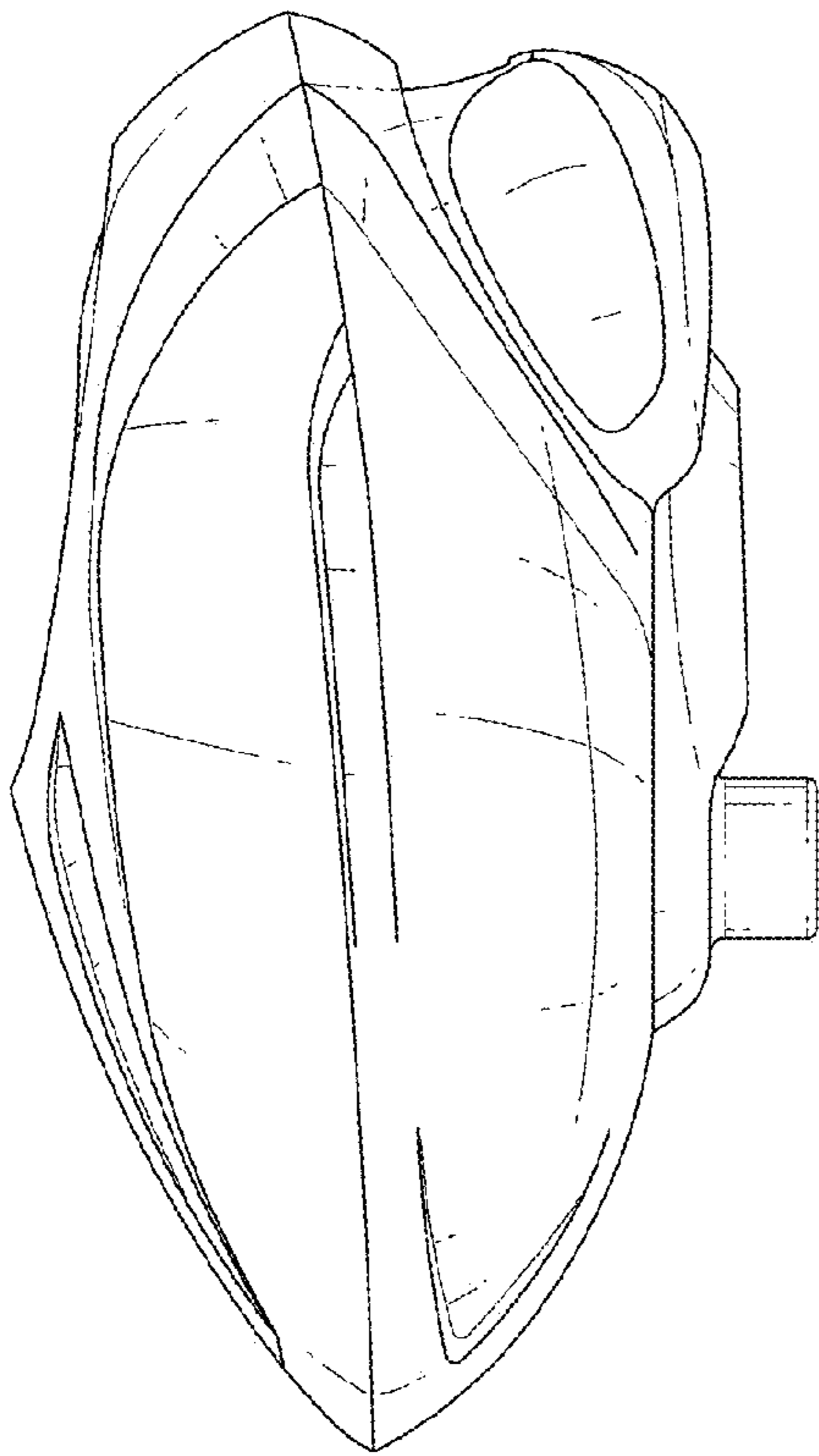


FIG. 4

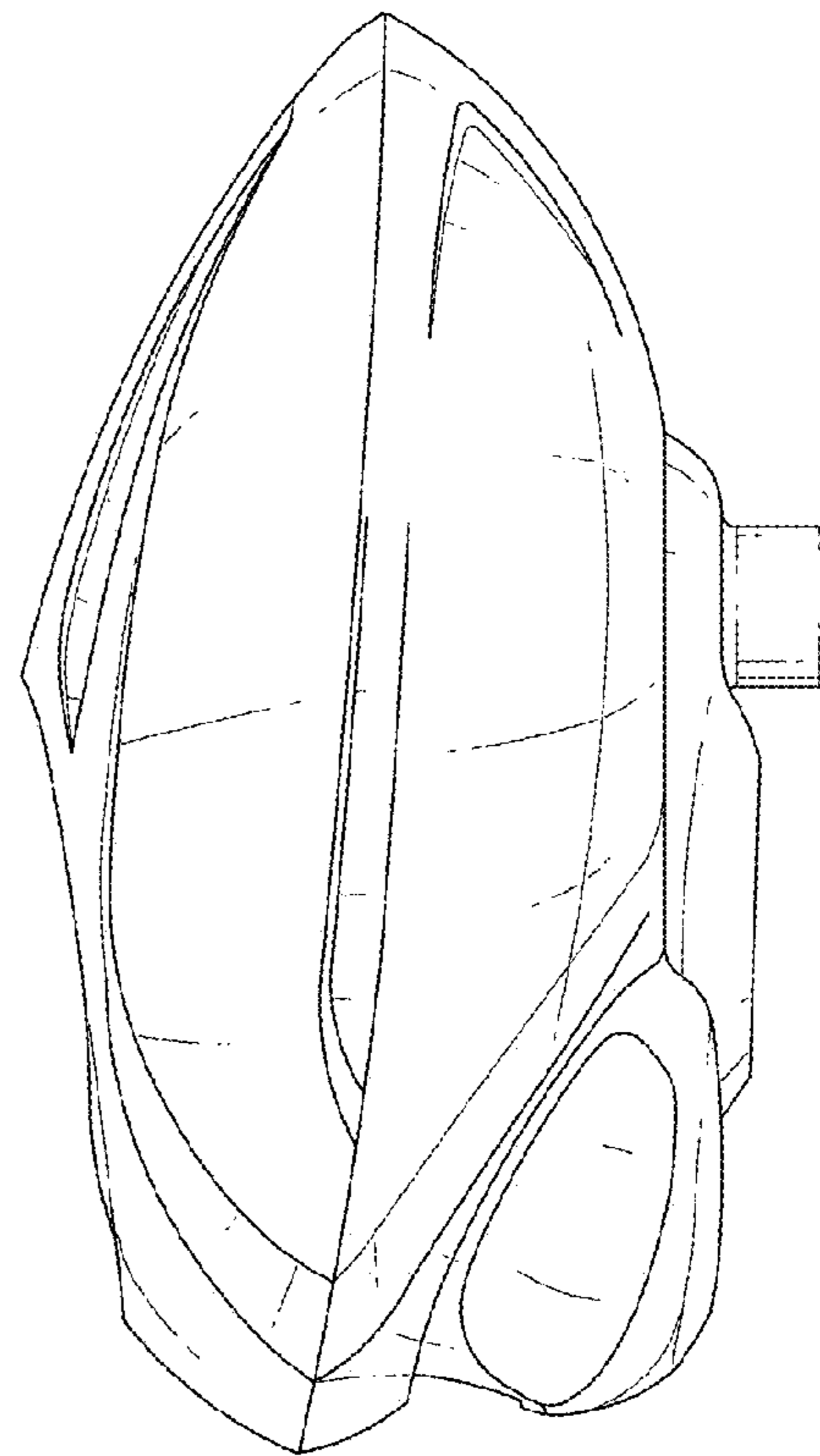


FIG. 5

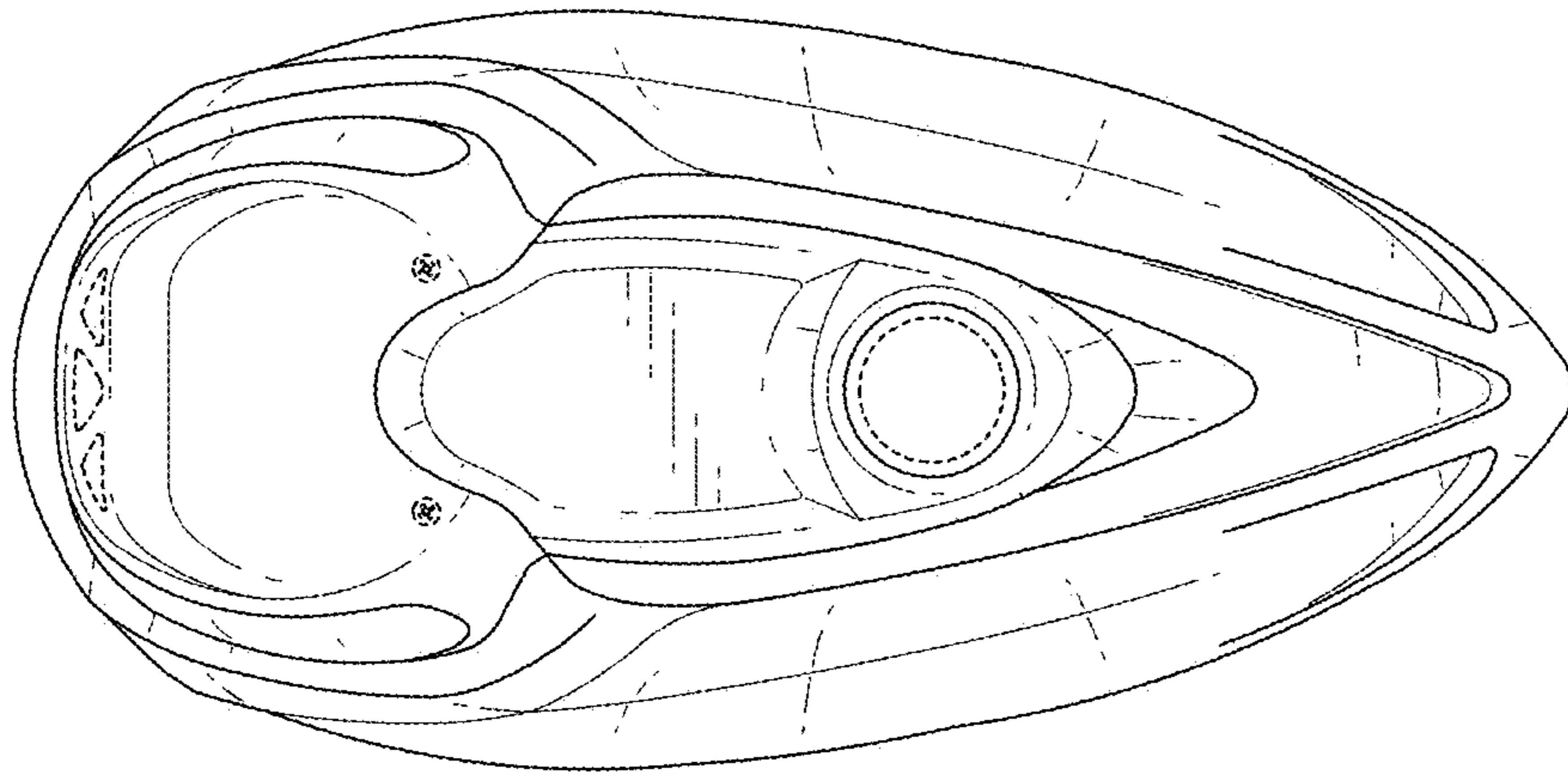


FIG. 7

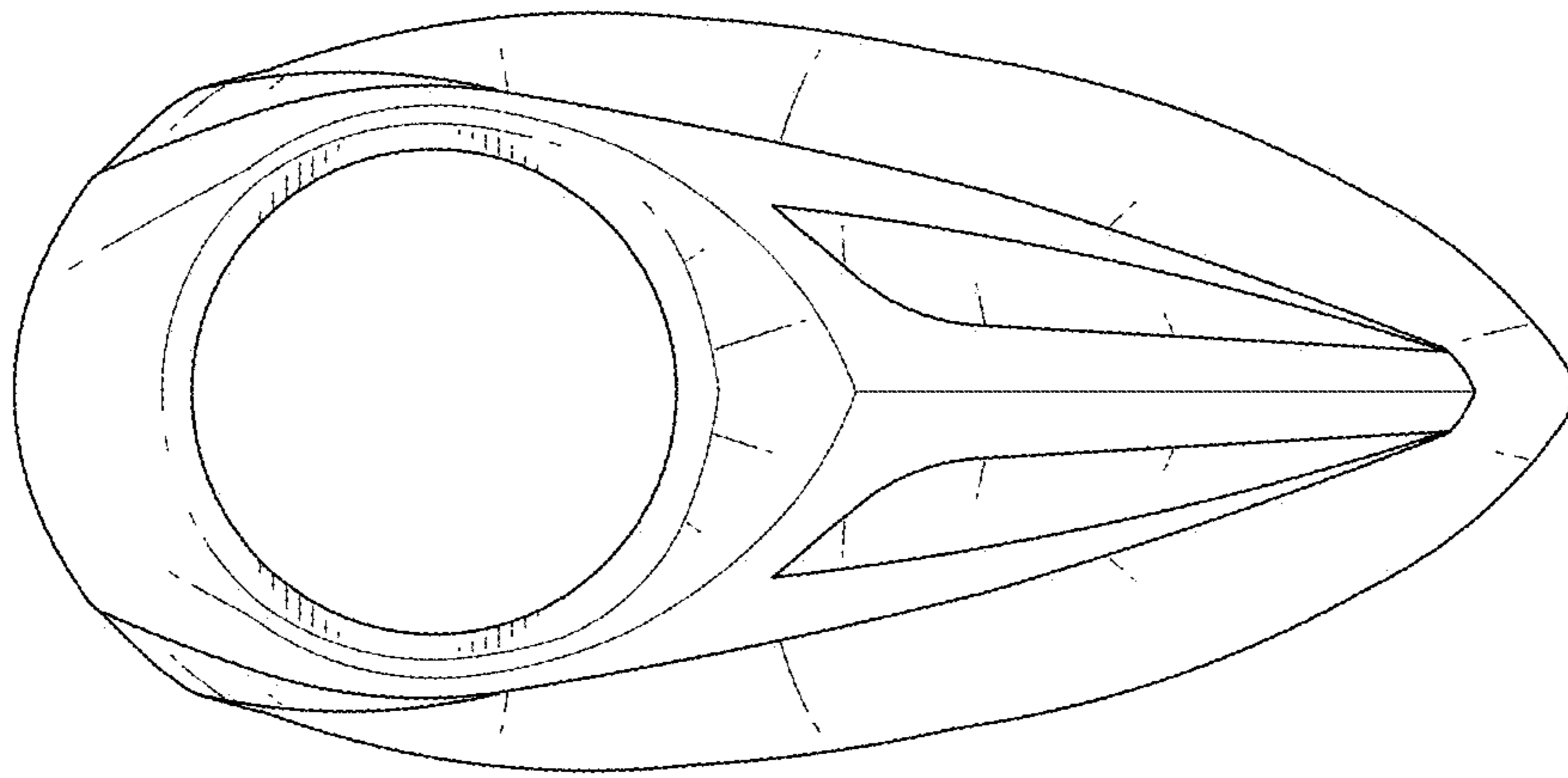


FIG. 6