



US00D708680S

(12) **United States Design Patent**
Norman et al.

(10) **Patent No.:** **US D708,680 S**
(45) **Date of Patent:** **** Jul. 8, 2014**

(54) **CORNER CONNECTOR COMPONENT FOR A CONSTRUCTION KIT**

D517,128 S * 3/2006 Kim D21/503
D517,616 S * 3/2006 Kim D21/503
D573,202 S * 7/2008 Chun D21/503

(71) Applicant: **Innovation First, Inc.**, Greenville, TX (US)

* cited by examiner

(72) Inventors: **David Anthony Norman**, Greenville, TX (US); **Robert H. Mimplitch, III**, Rowlett, TX (US); **Paul David Copioli**, Rockwall, TX (US); **Gregory James Lavender**, Rockwall, TX (US); **Aren Calder Hill**, Rockford, IL (US); **Douglas Michael Galletti**, Allen, TX (US); **John Edward Vielkind-Neun**, Rockwall, TX (US); **Arthur Philip Dutra, IV**, Greenville, TX (US)

Primary Examiner — Cynthia M Chin

(74) *Attorney, Agent, or Firm* — Adam K. Sacharoff; Much Shelist

(73) Assignee: **Innovation First, Inc.**, Greenville, TX (US)

(57) **CLAIM**

The ornamental design for a corner connector component for a construction kit, as shown and described.

(**) Term: **14 Years**

DESCRIPTION

(21) Appl. No.: **29/451,639**

FIG. 1 is a front perspective view of a corner connector component for a construction kit in accordance with a First Embodiment;

(22) Filed: **Apr. 5, 2013**

FIG. 2 is a cross-sectional view of FIG. 1 taken of line 2-2 from FIG. 1;

(51) **LOC (10) Cl.** **21-01**

FIG. 3 is a rear perspective view of FIG. 1;

(52) **U.S. Cl.**

FIG. 4 is a top side perspective view of FIG. 1;

USPC **D21/503**

FIG. 5 is a bottom side view of FIG. 1;

(58) **Field of Classification Search**

FIG. 6 is a right side view of FIG. 1;

USPC D21/49-495, 500-505; D8/354, 382; 446/69, 89, 92, 102-128; 434/259, 434/208, 403; 52/503; 273/153, 156, 160
See application file for complete search history.

FIG. 7 is a left side view of FIG. 1;

(56) **References Cited**

FIG. 8 is a front side view of FIG. 1;

U.S. PATENT DOCUMENTS

D360,000 S * 7/1995 Hatting et al. D21/502
D362,473 S * 9/1995 Lyman et al. D21/489
D510,753 S * 10/2005 Paterson D21/503
D516,135 S * 2/2006 Kim D21/503

FIG. 9 is a rear side view of FIG. 1;

FIG. 10 is a front perspective view of a corner connector component for a construction kit in accordance with a Second Embodiment;

FIG. 11 is a sectional view of FIG. 10 taken of line 11-11 from FIG. 10;

FIG. 12 is a rear perspective view of FIG. 10;

FIG. 13 is a bottom side view of FIG. 10;

FIG. 14 is top side perspective view of FIG. 10;

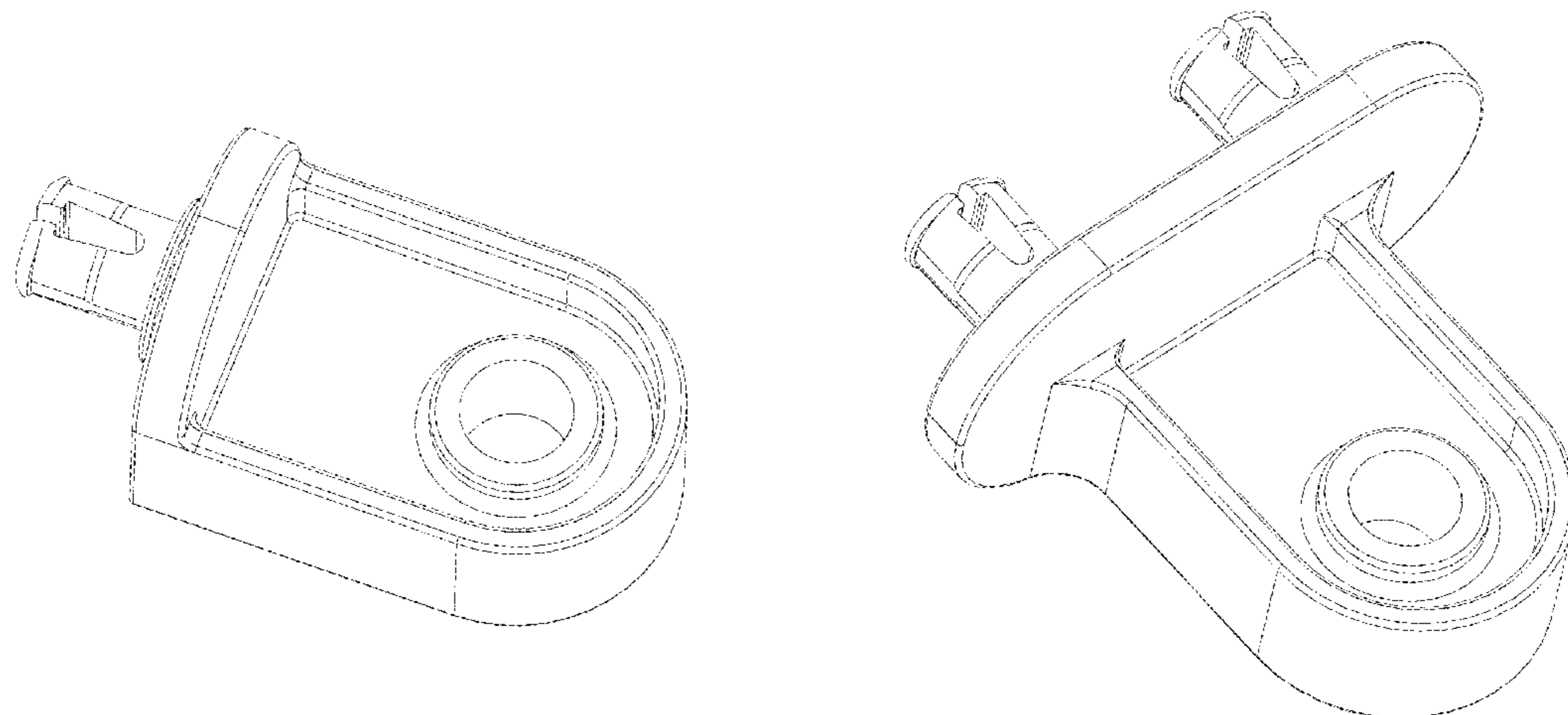
FIG. 15 is a right side view of FIG. 10;

FIG. 16 is a left side view of FIG. 10;

FIG. 17 is a front side view of FIG. 10; and,

FIG. 18 is a rear side view of FIG. 10.

1 Claim, 18 Drawing Sheets



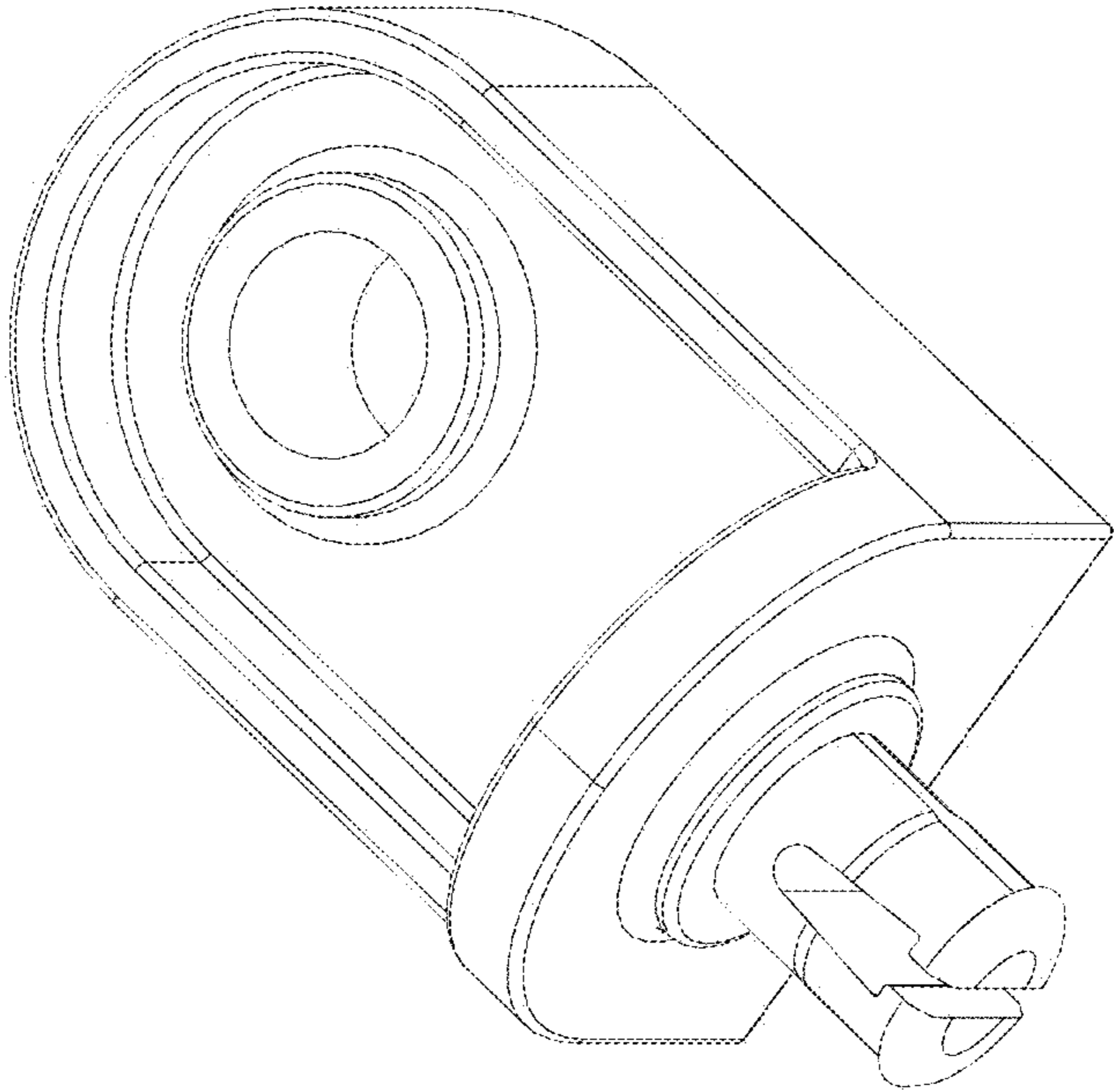


FIGURE 1

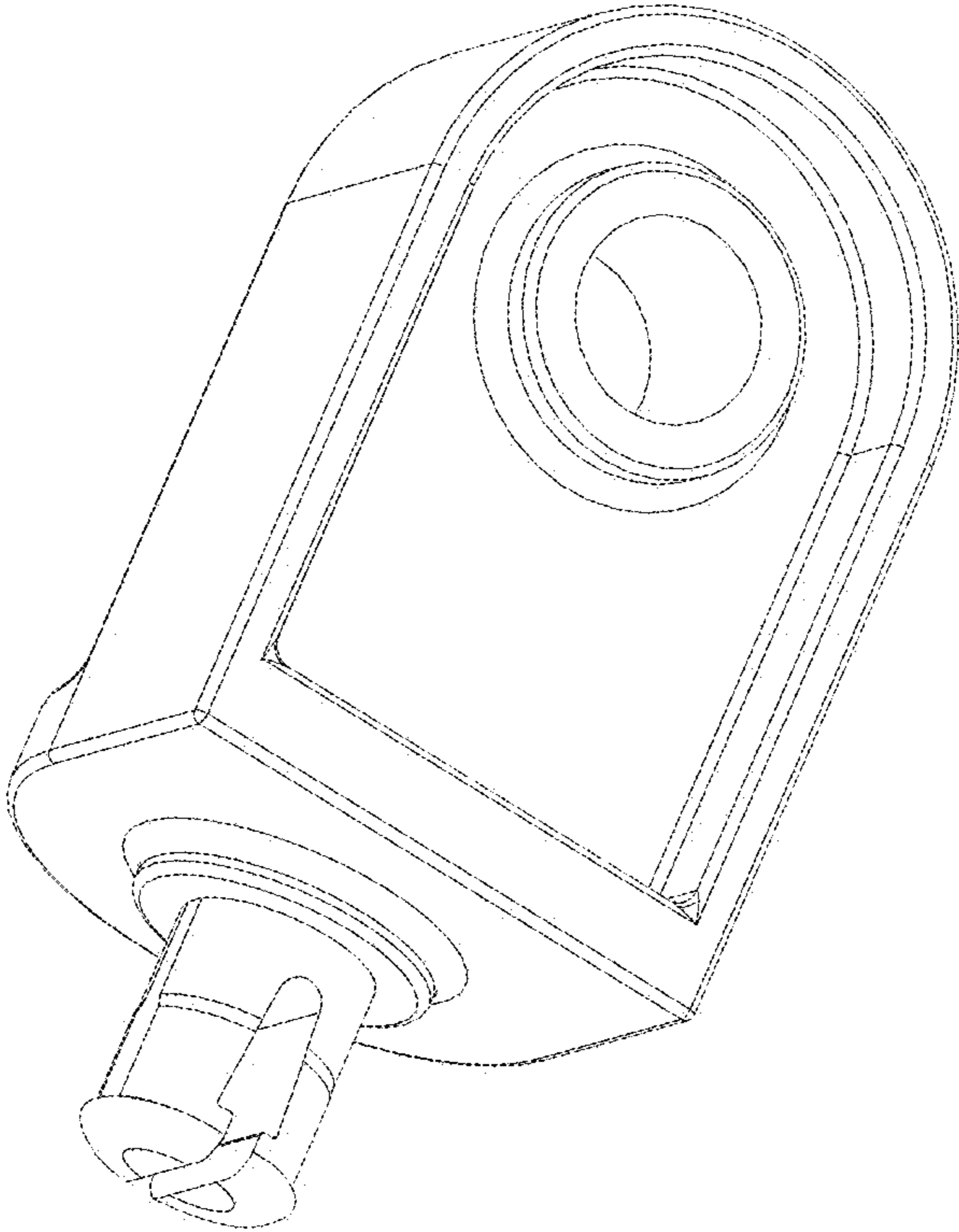


FIGURE 2

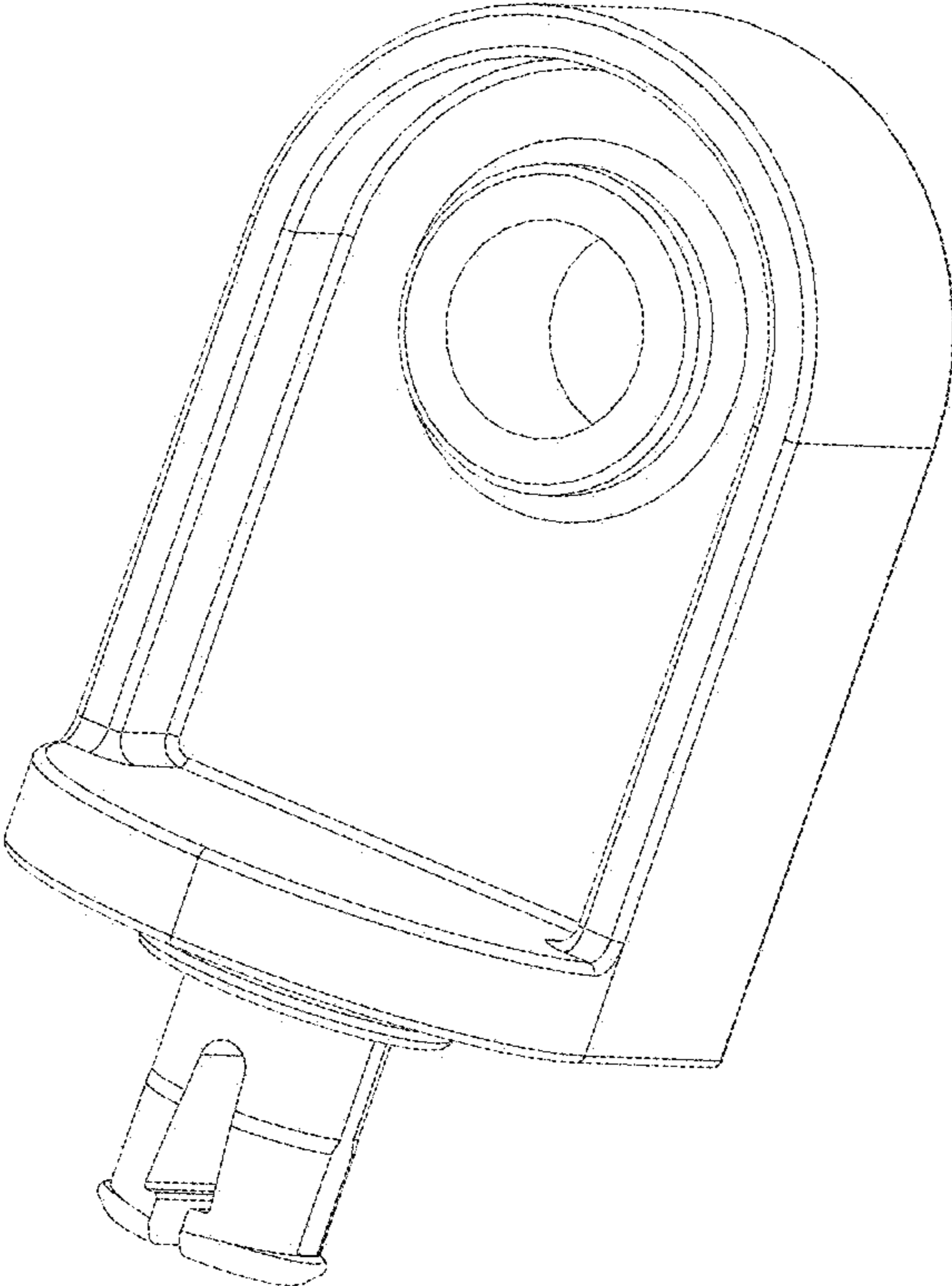


FIGURE 3

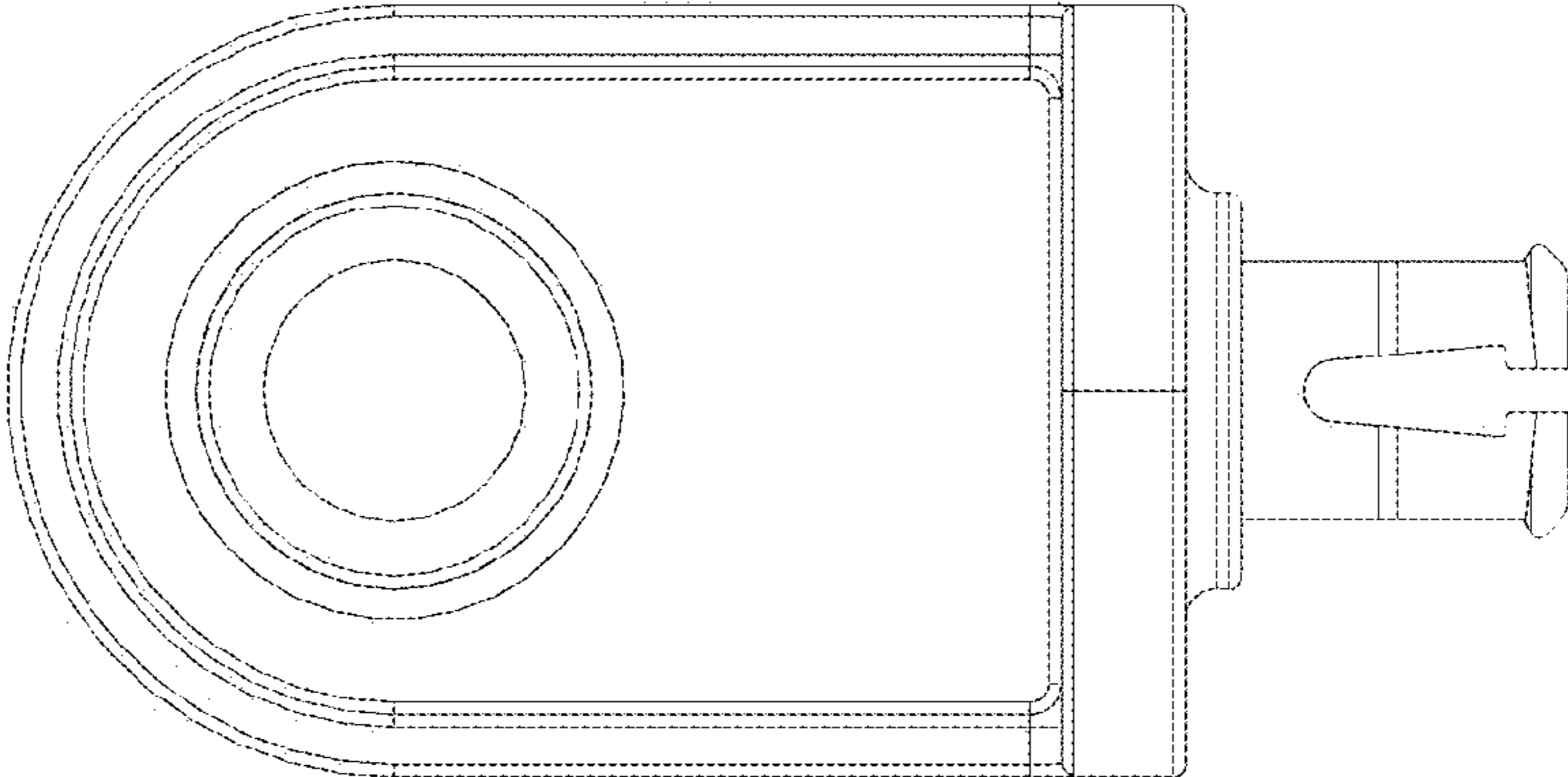


FIGURE 4

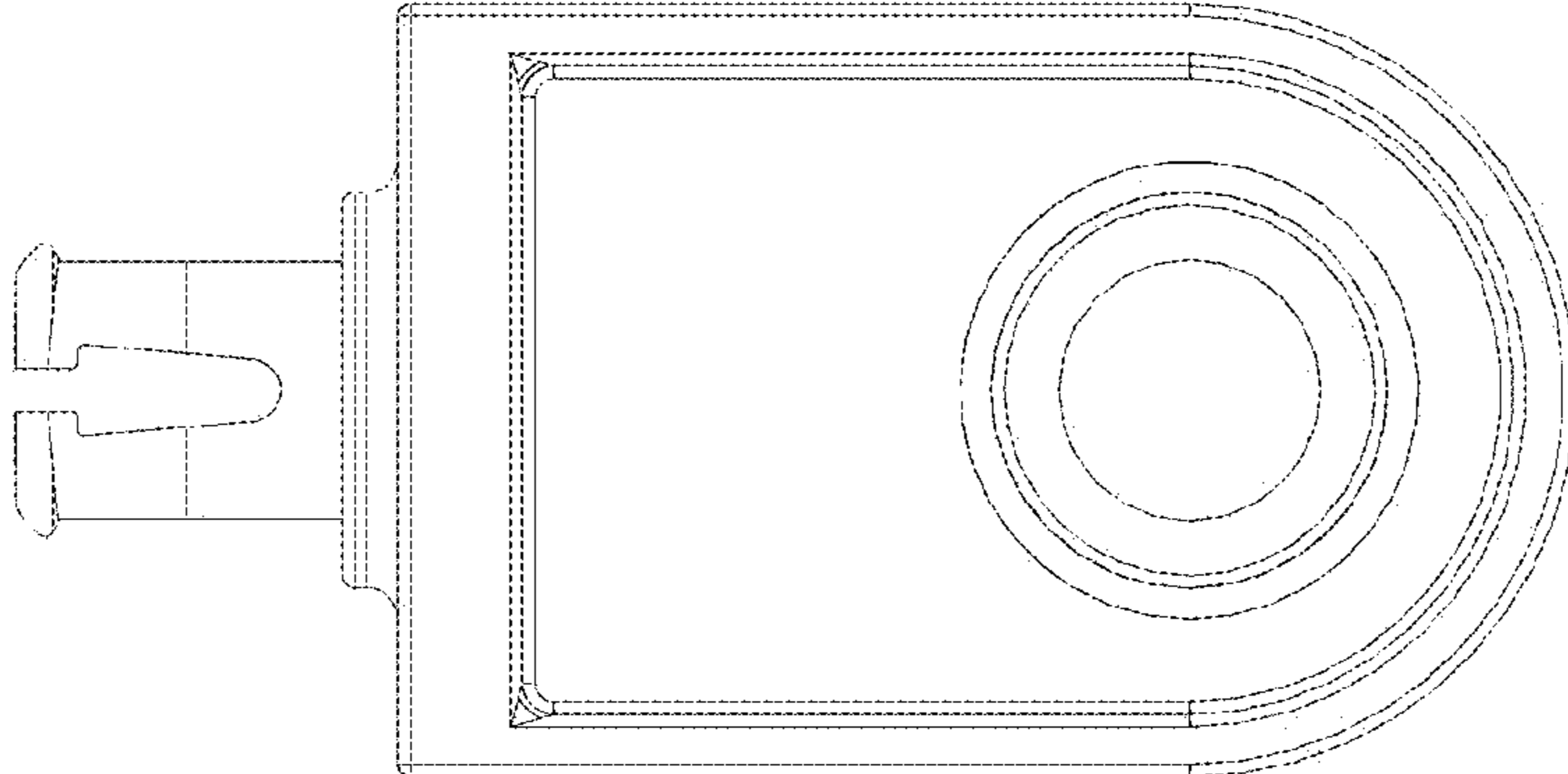


FIGURE 5

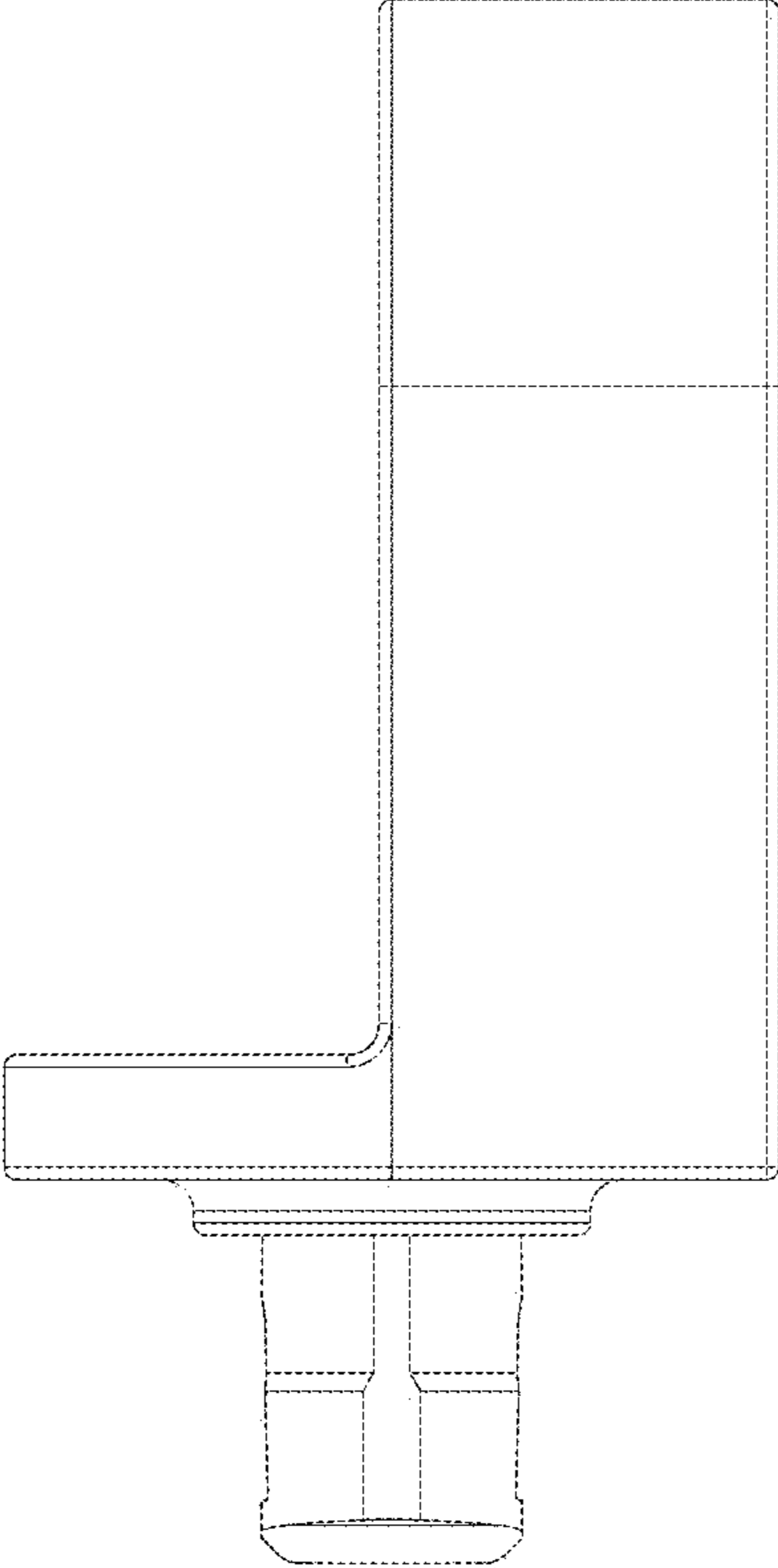


FIGURE 6

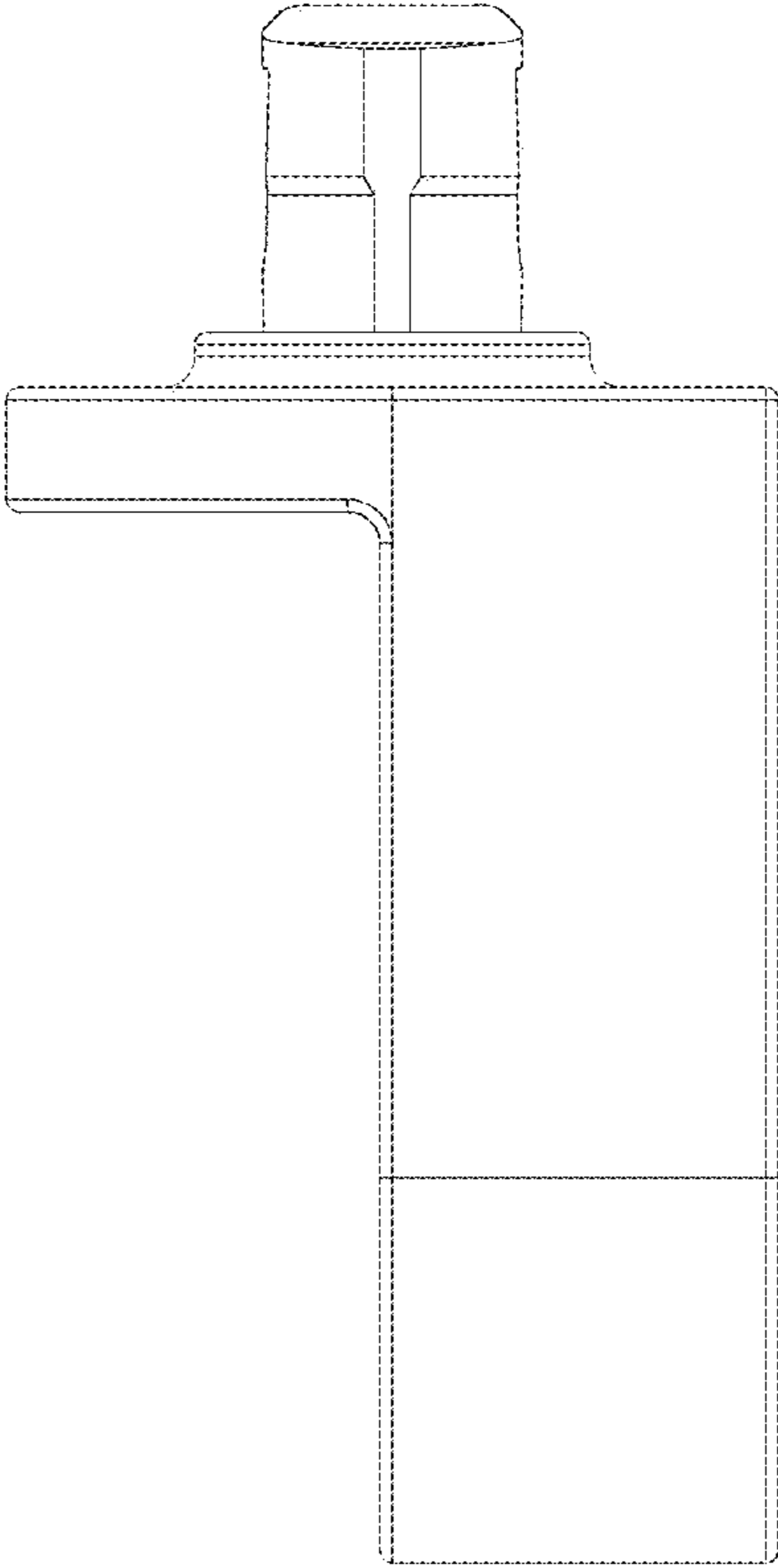


FIGURE 7

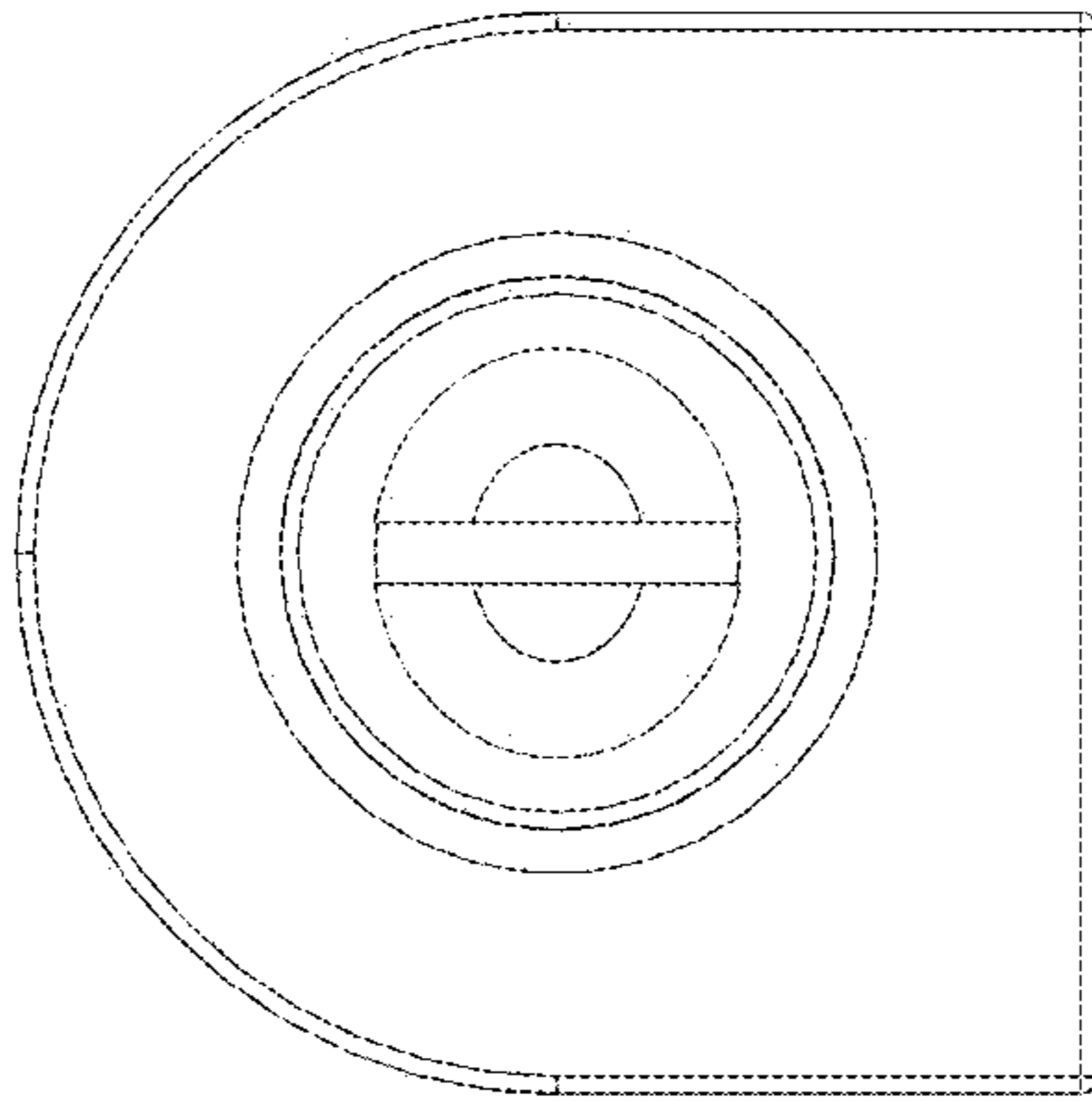


FIGURE 8

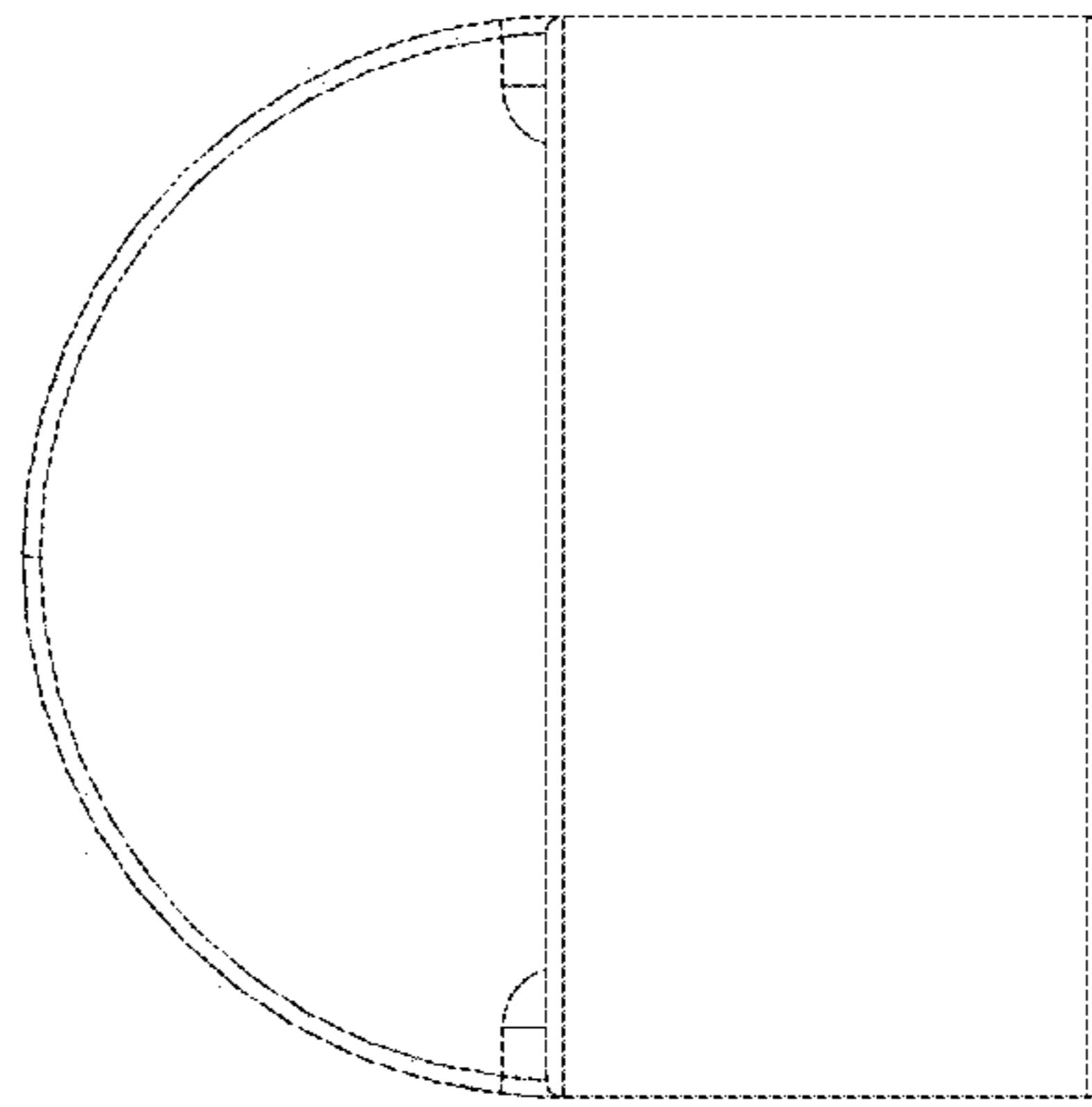


FIGURE 9

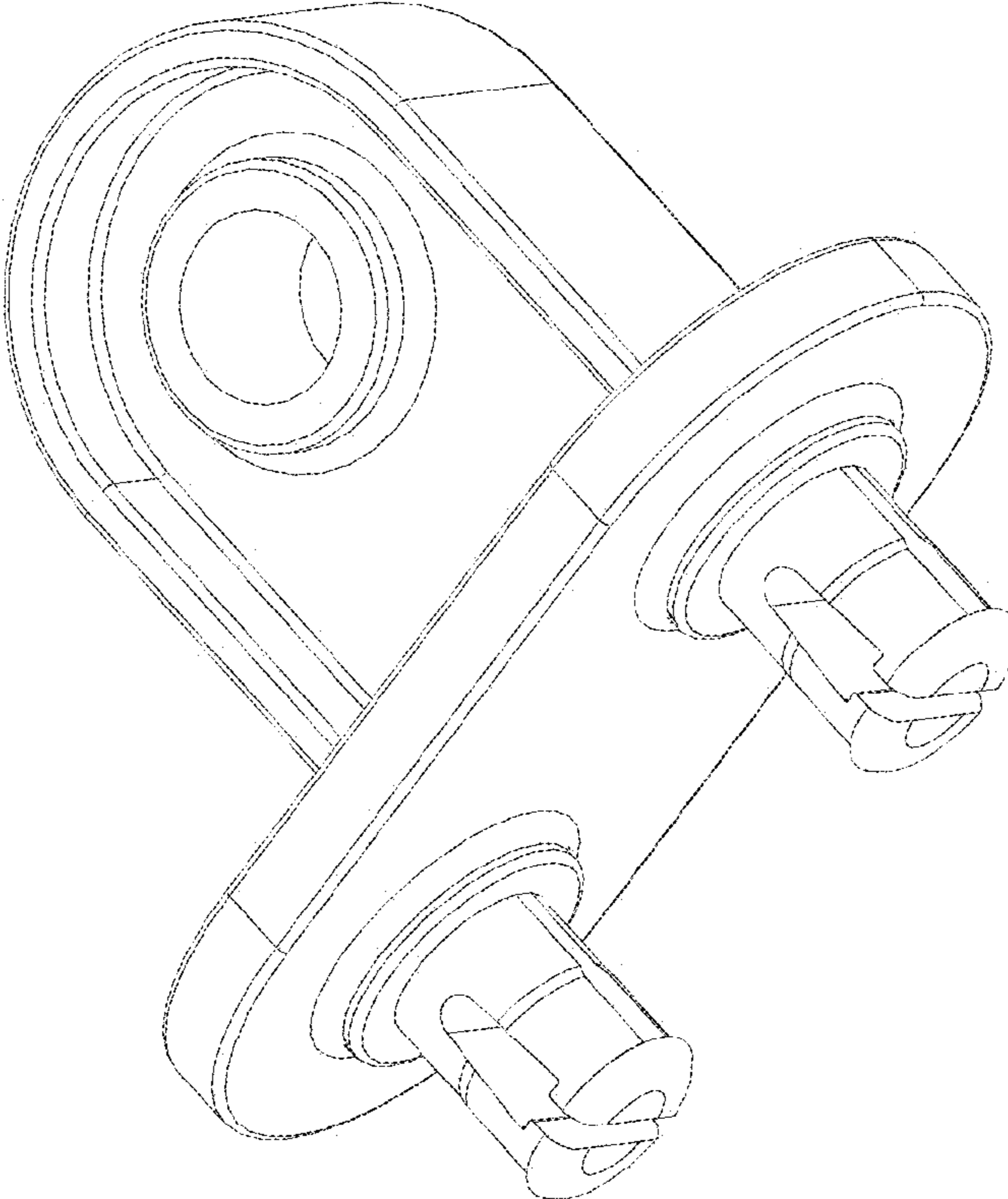


FIGURE 10

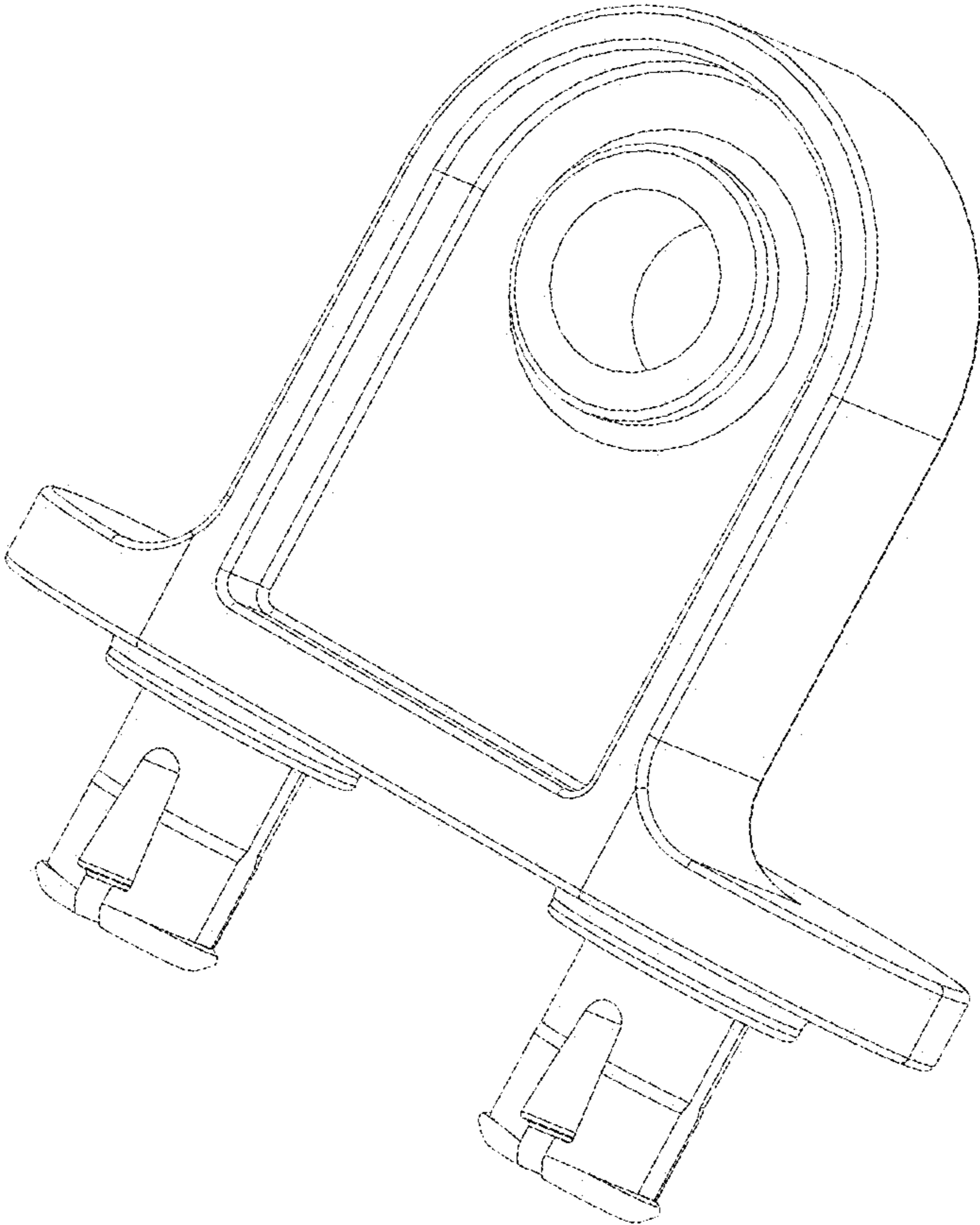


FIGURE 11

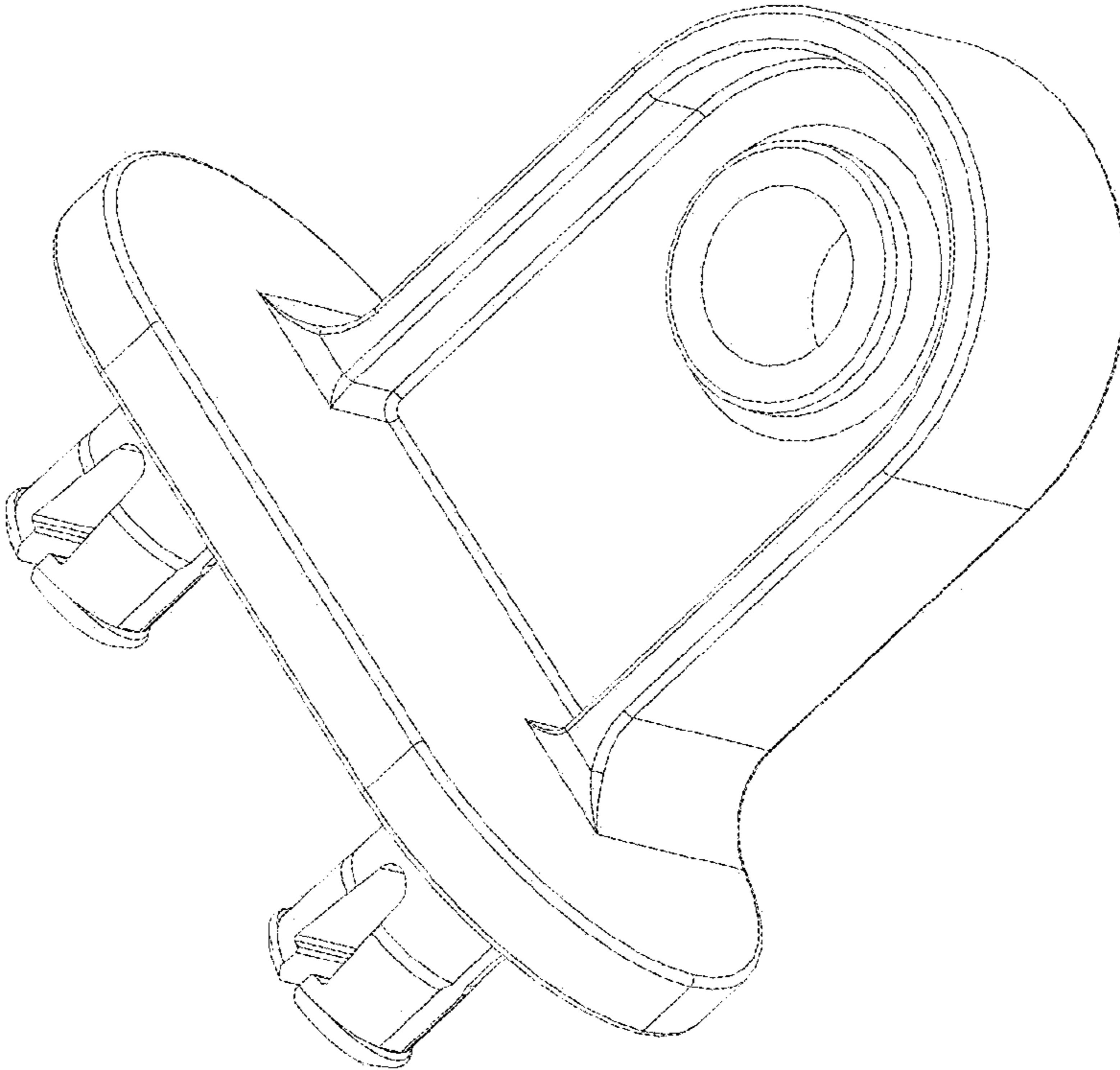


FIGURE 12

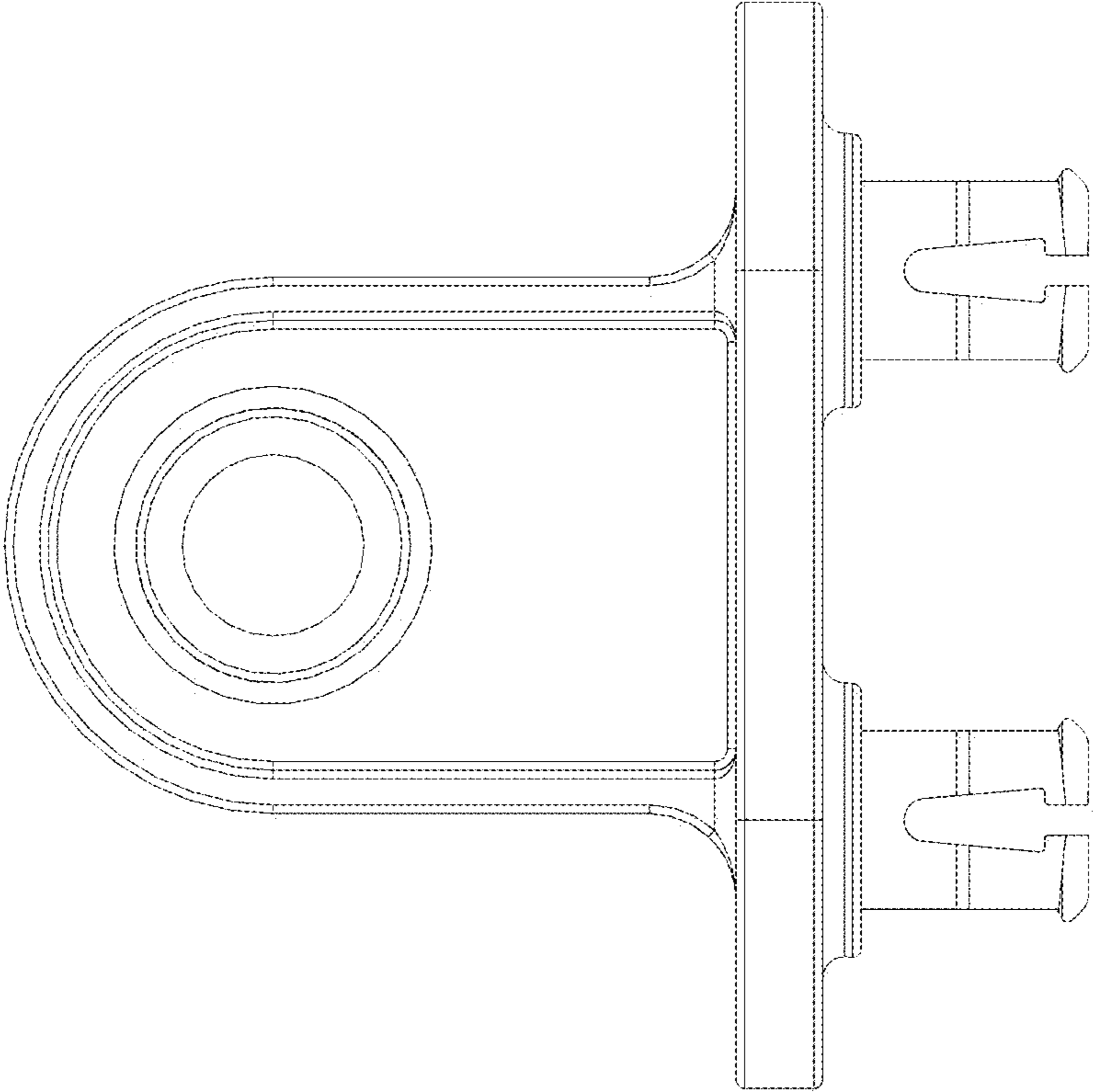


FIGURE 13

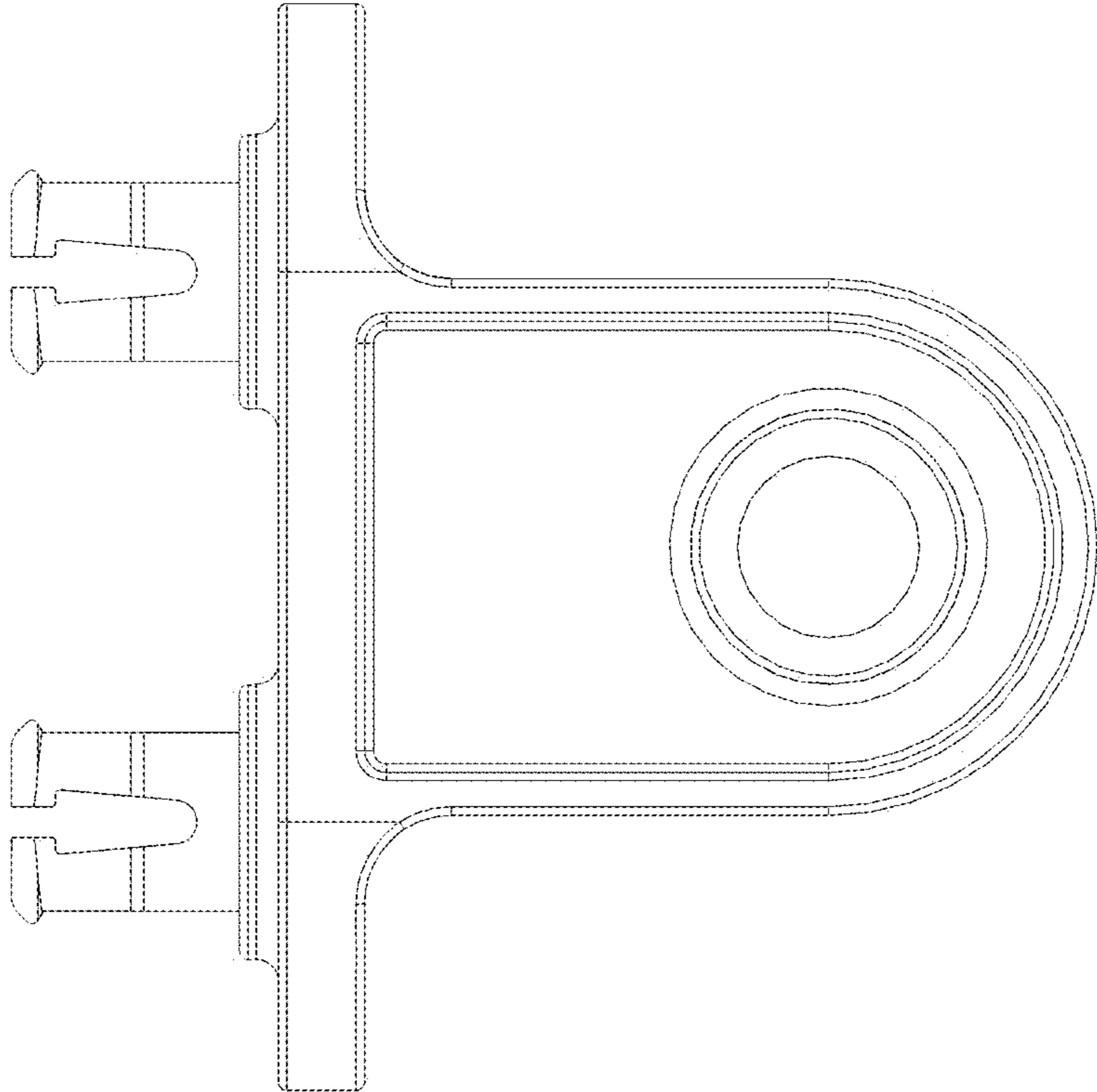


FIGURE 14

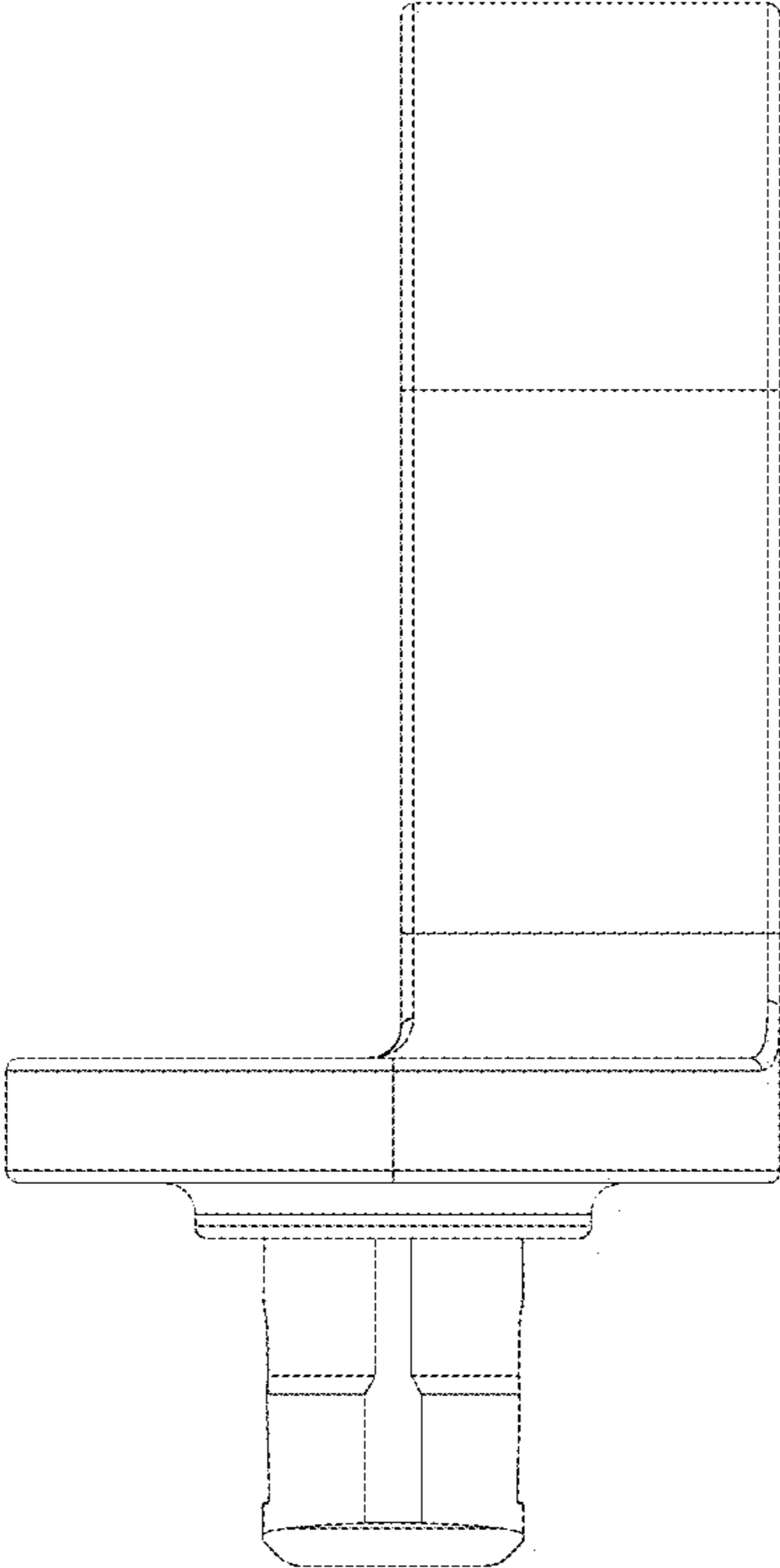


FIGURE 15

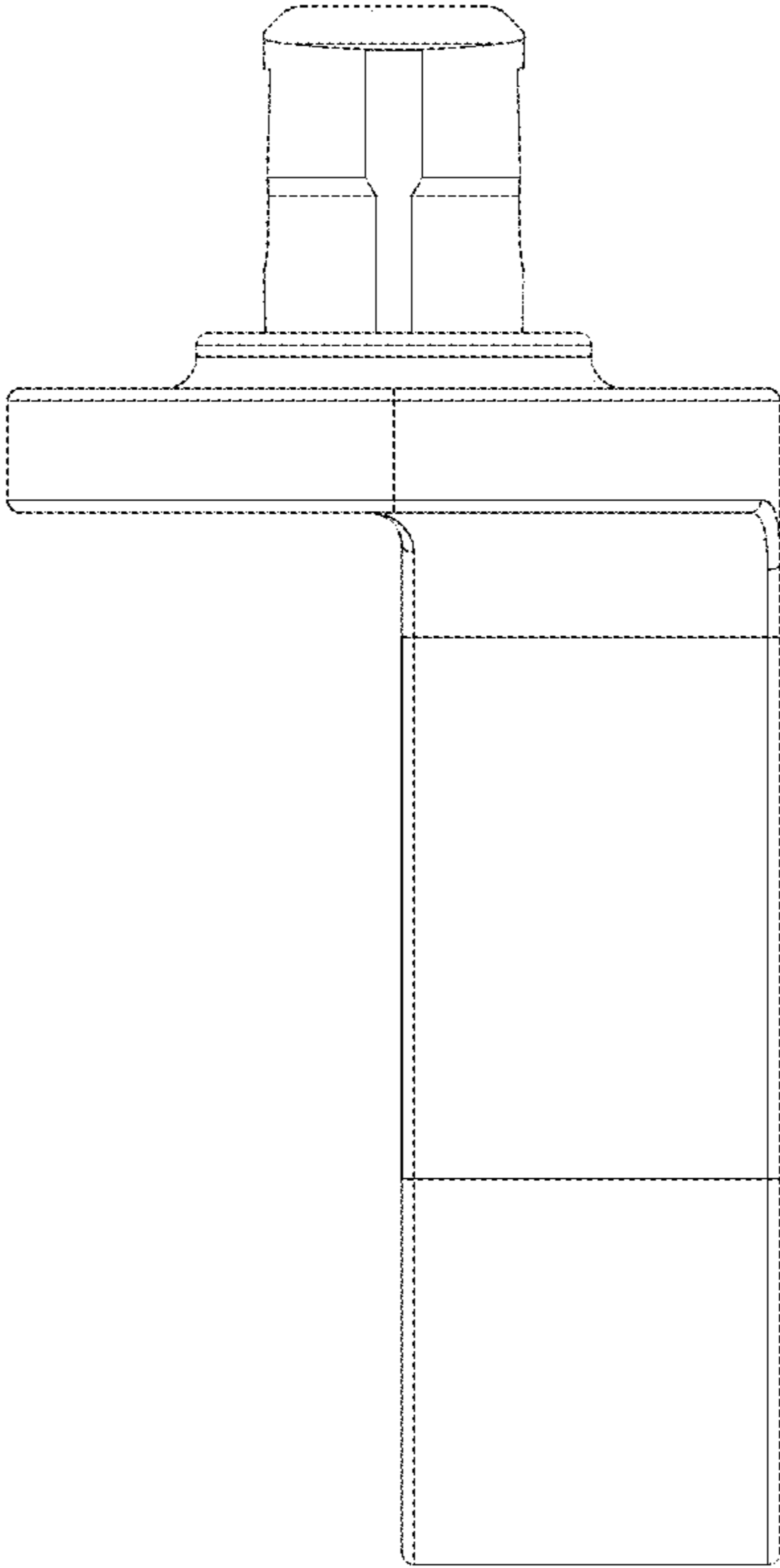


FIGURE 16

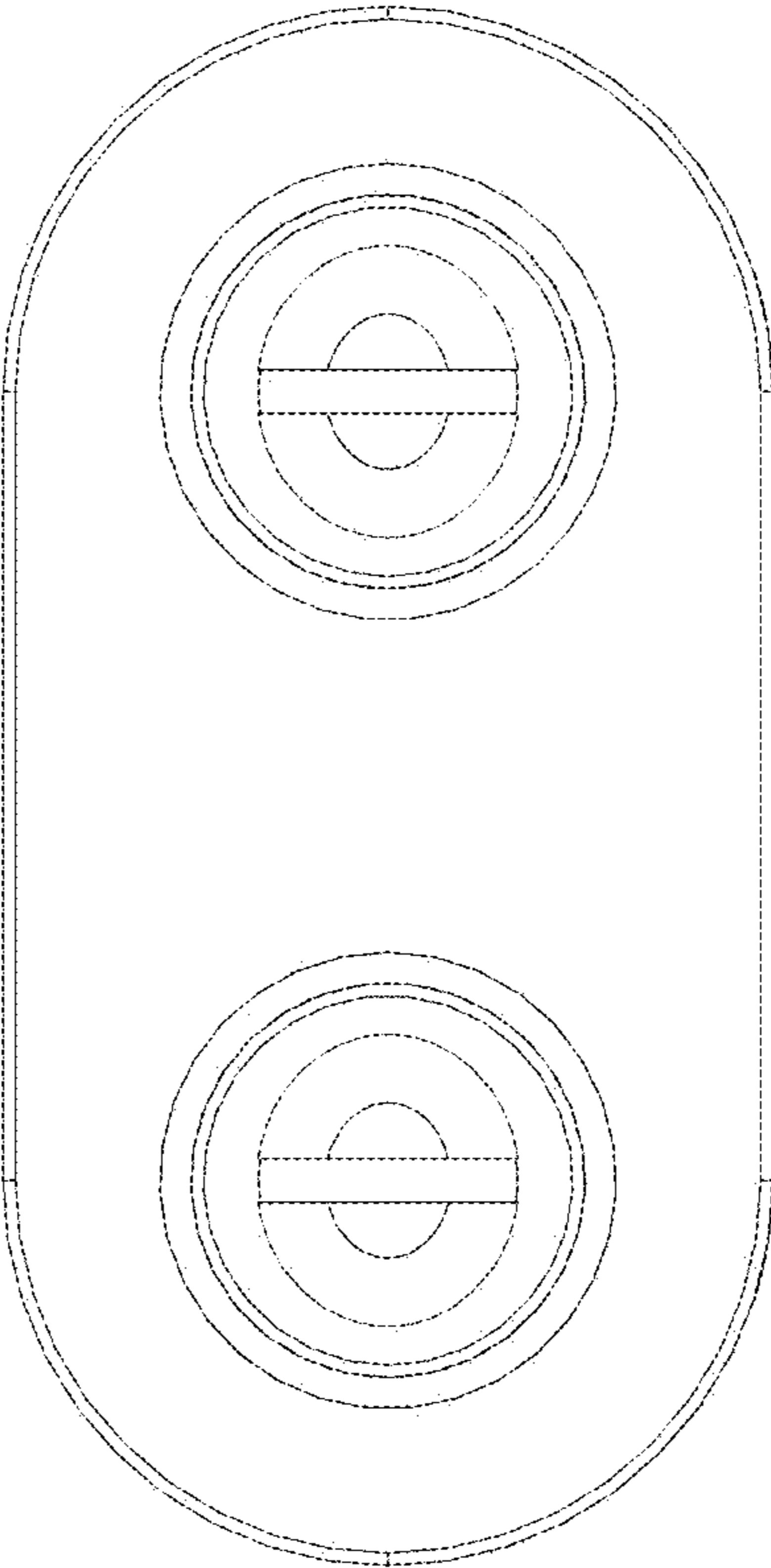


FIGURE 17

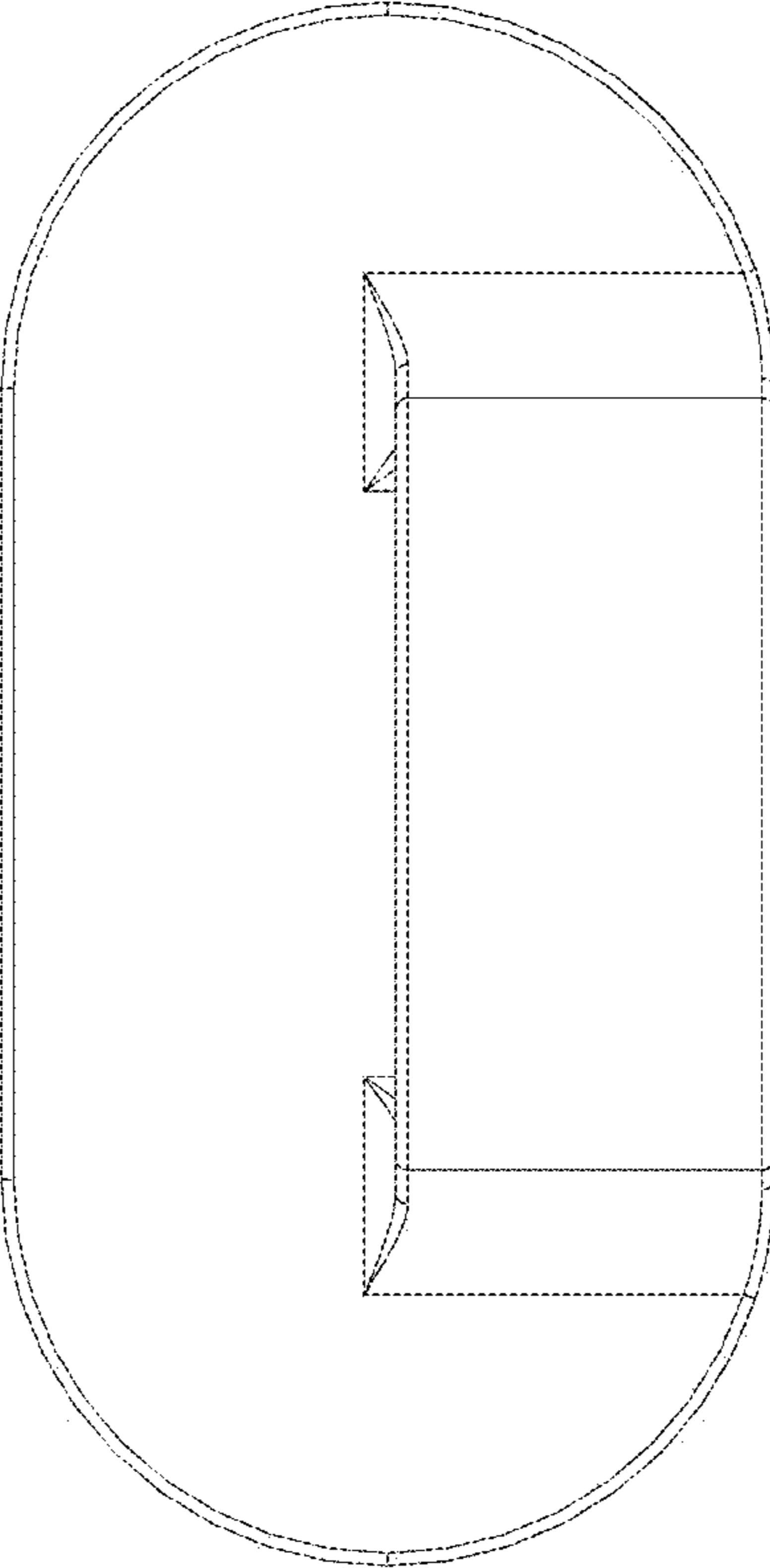


FIGURE 18