



US00D708678S

(12) **United States Design Patent**  
**O'connell**

(10) **Patent No.:** **US D708,678 S**

(45) **Date of Patent:** **\*\* Jul. 8, 2014**

(54) **TRICK DEVICE FOR SCOOTER**

(71) Applicant: **Yvolve Sports Ltd.**, Dublin 2 (IE)

(72) Inventor: **Thomas O'connell**, Dublin 2 (IE)

(73) Assignee: **Yvolve Sports Ltd.**, Dublin (IE)

(\*\*) Term: **14 Years**

(21) Appl. No.: **29/462,538**

(22) Filed: **Aug. 6, 2013**

(51) **LOC (10) Cl.** ..... **21-01**

(52) **U.S. Cl.**  
USPC ..... **D21/423**

(58) **Field of Classification Search**  
USPC ..... D21/419, 423, 760, 765, 771, 776;  
280/87.041, 87.042, 809, 816, 828;  
180/181

See application file for complete search history.

(56) **References Cited**

**U.S. PATENT DOCUMENTS**

D446,260 S \* 8/2001 Bang ..... D21/423  
D446,555 S \* 8/2001 Bang ..... D21/423

D453,198 S \* 1/2002 Dudley ..... D21/423  
D486,532 S \* 2/2004 Christianson ..... D21/423  
D606,610 S \* 12/2009 Sramek et al. .... D21/771  
2002/0096849 A1 \* 7/2002 Bang ..... 280/87.041

\* cited by examiner

*Primary Examiner* — Cynthia Chin

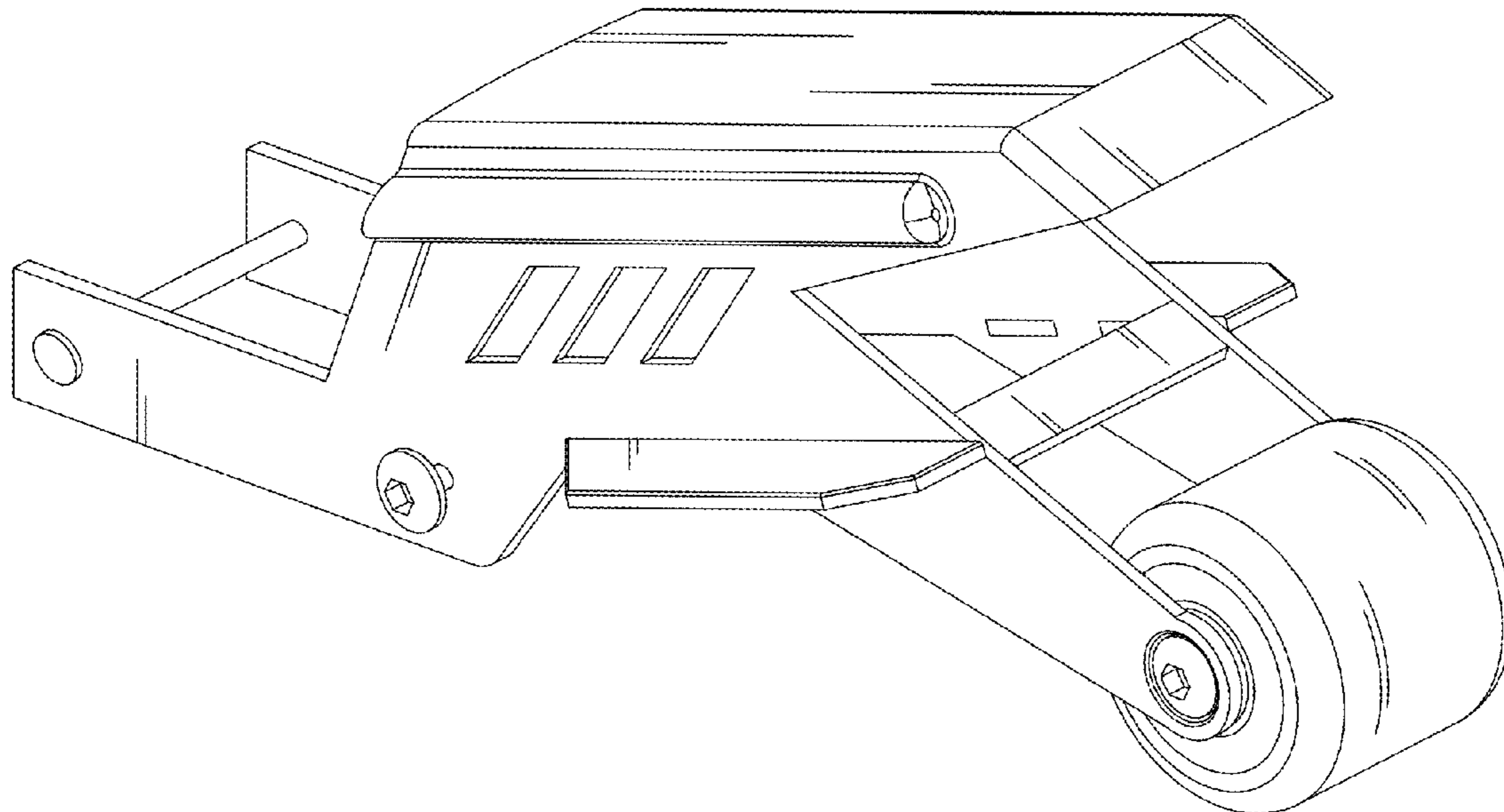
(57) **CLAIM**

The ornamental design for a trick device for scooter, as shown and described.

**DESCRIPTION**

FIG. 1 is a perspective view of a trick device for scooter  
FIG. 2 is a front view thereof;  
FIG. 3 is a back view thereof;  
FIG. 4 is a left view thereof;  
FIG. 5 is a right view thereof;  
FIG. 6 is a top view thereof;  
FIG. 7 is a bottom view thereof; and,  
FIG. 8 is a perspective view thereof showing an example in use.  
The broken lines shown are included for the purpose of illustrating the unclaimed portions of the article and form no part of the claimed design.

**1 Claim, 7 Drawing Sheets**



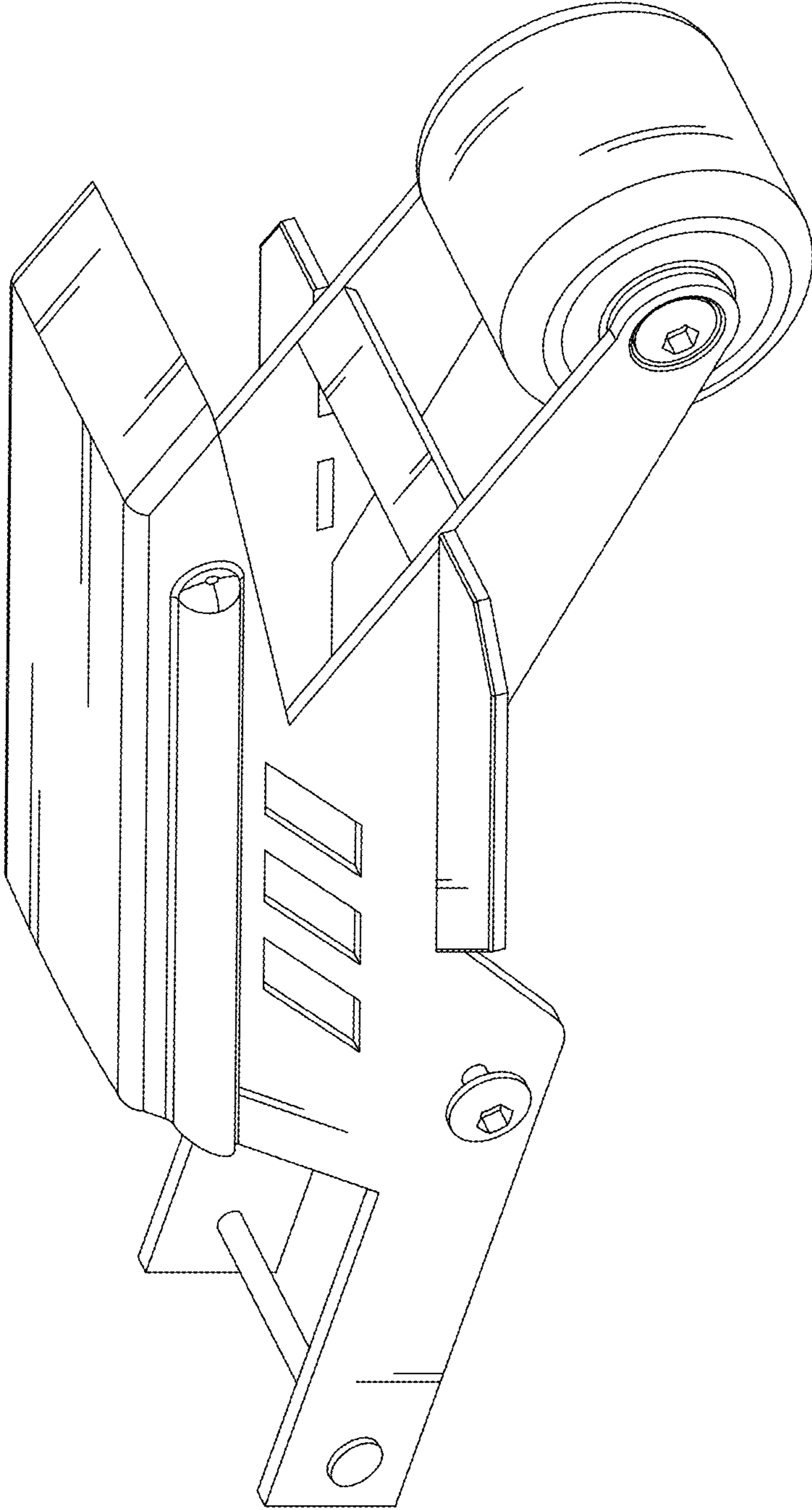


FIG.1

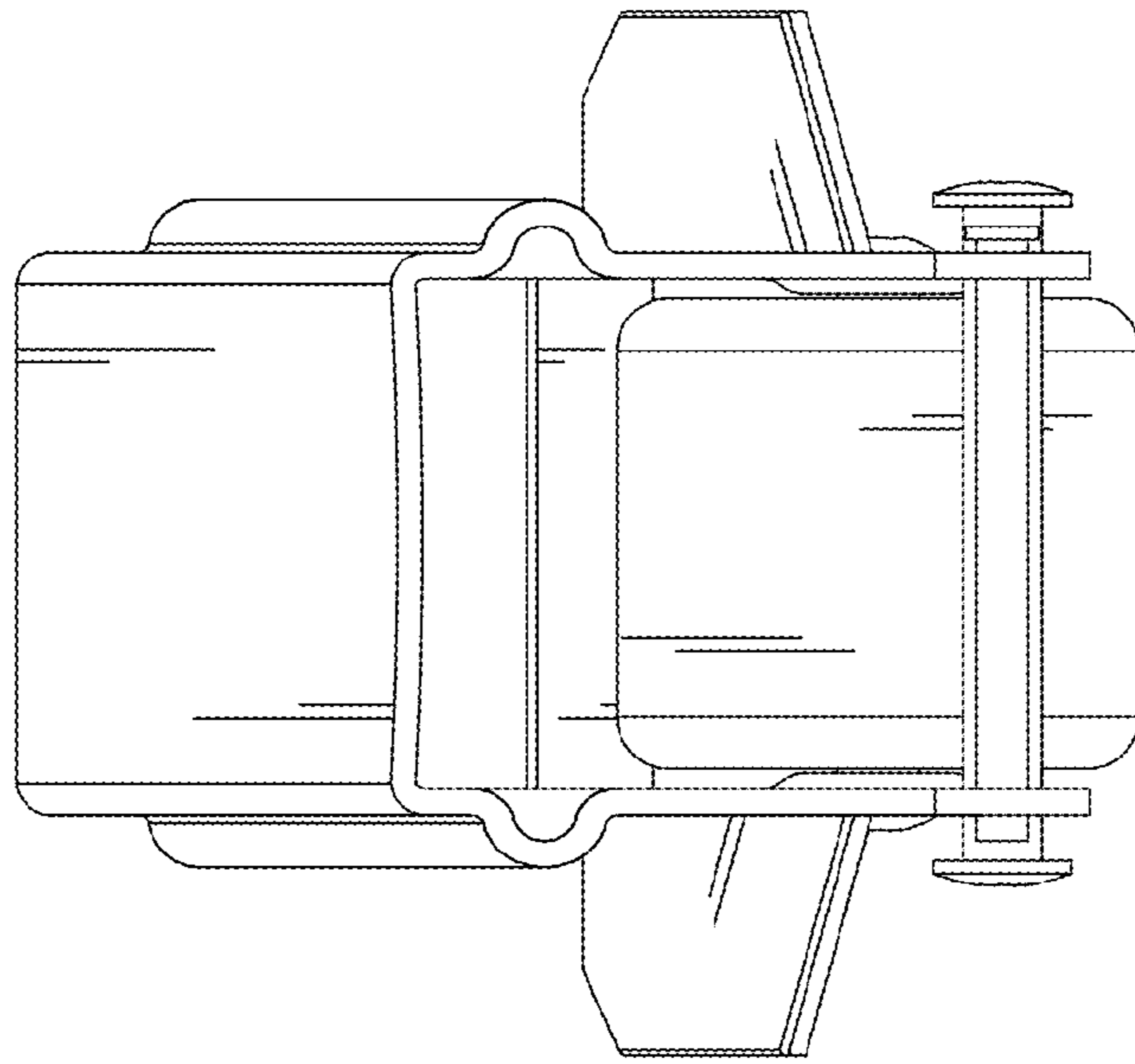


FIG.3

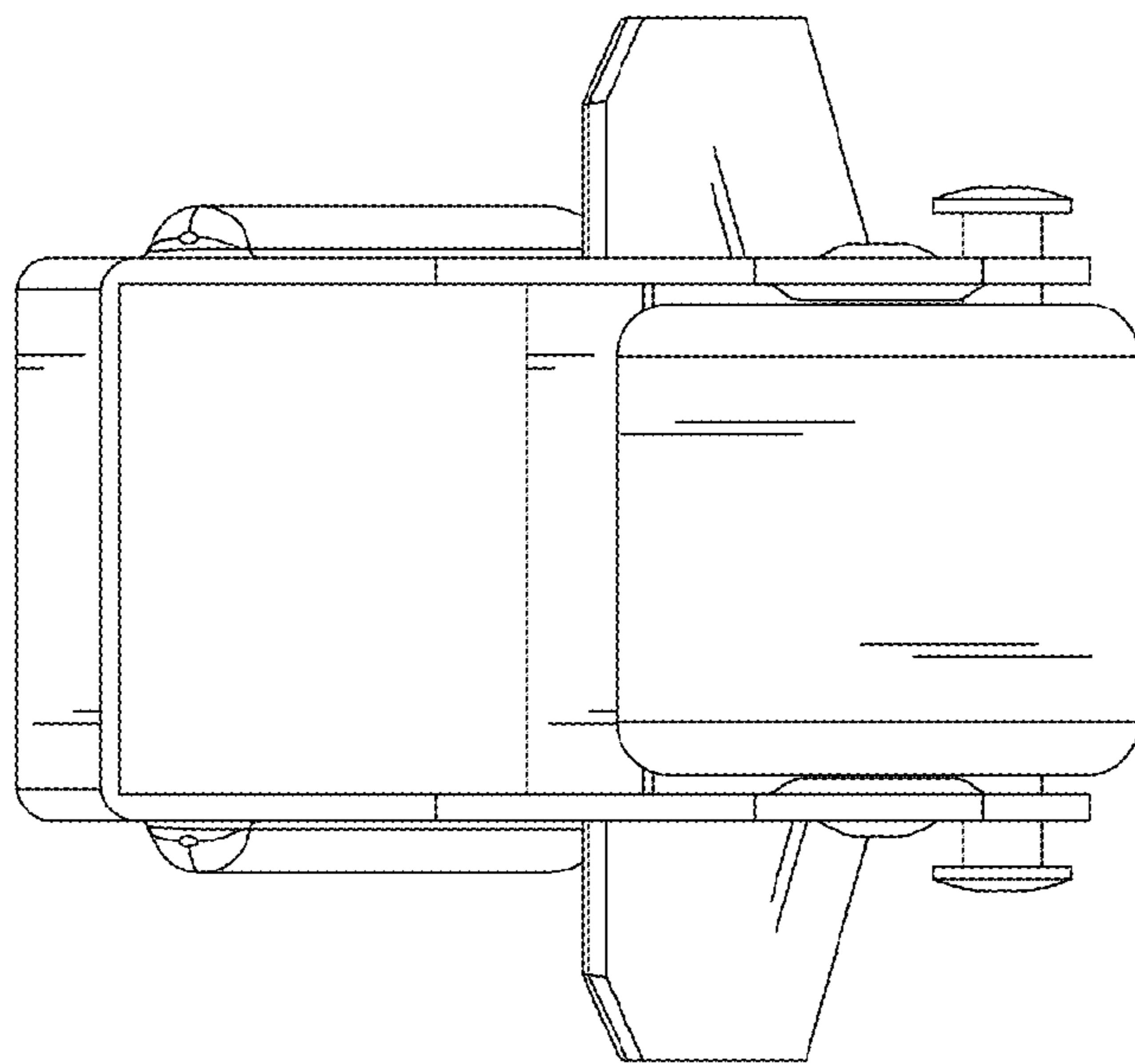


FIG.2

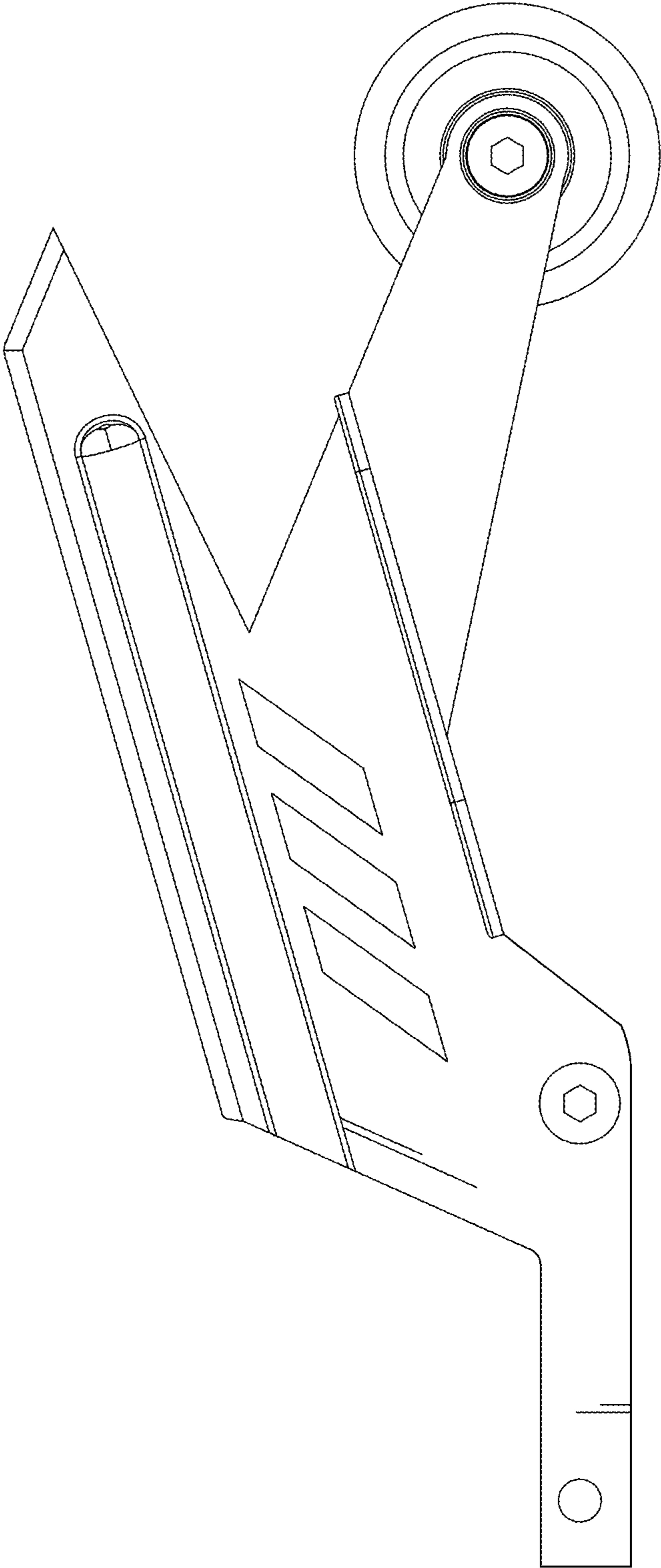


FIG.4

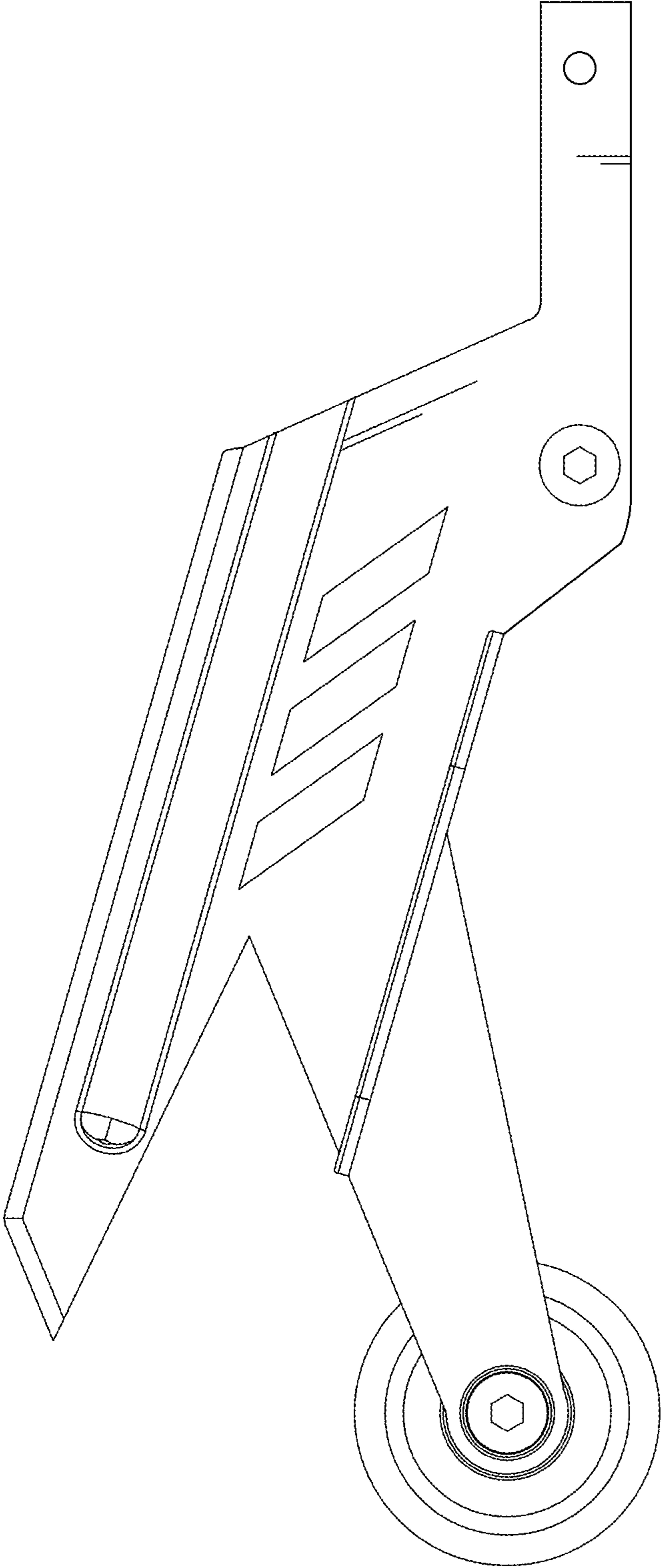


FIG.5

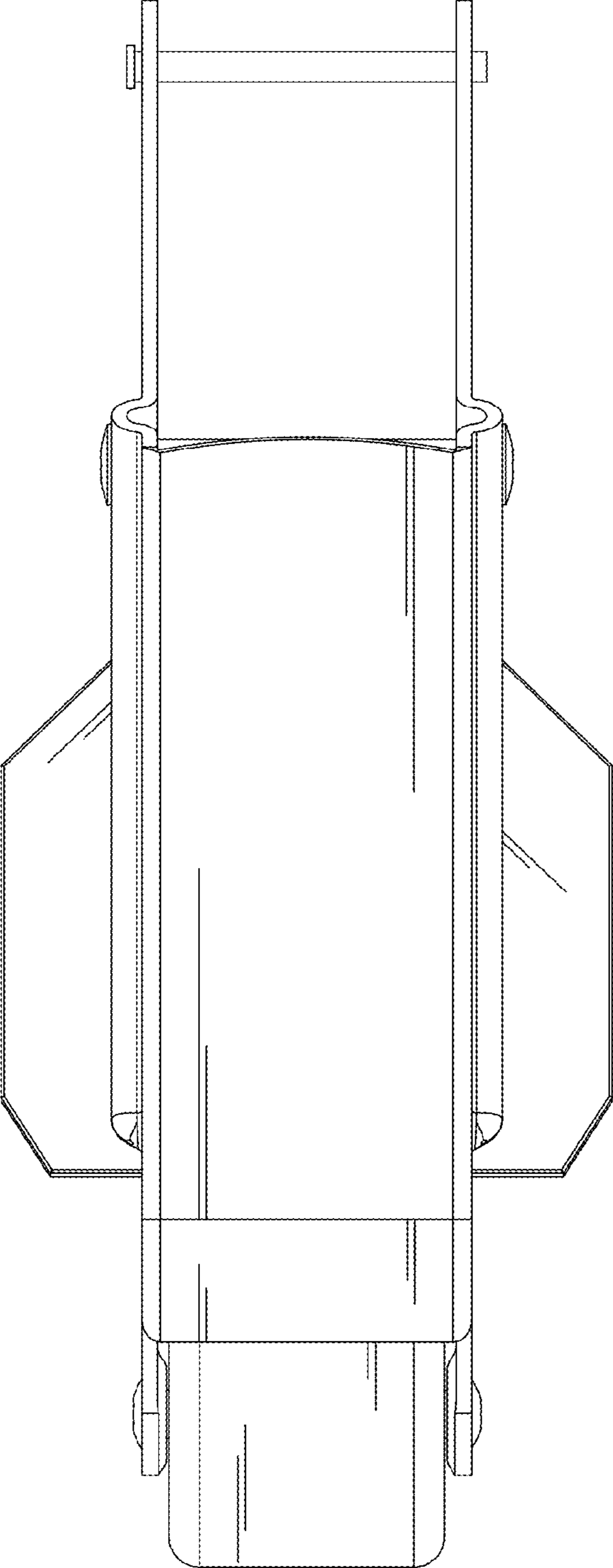


FIG.6

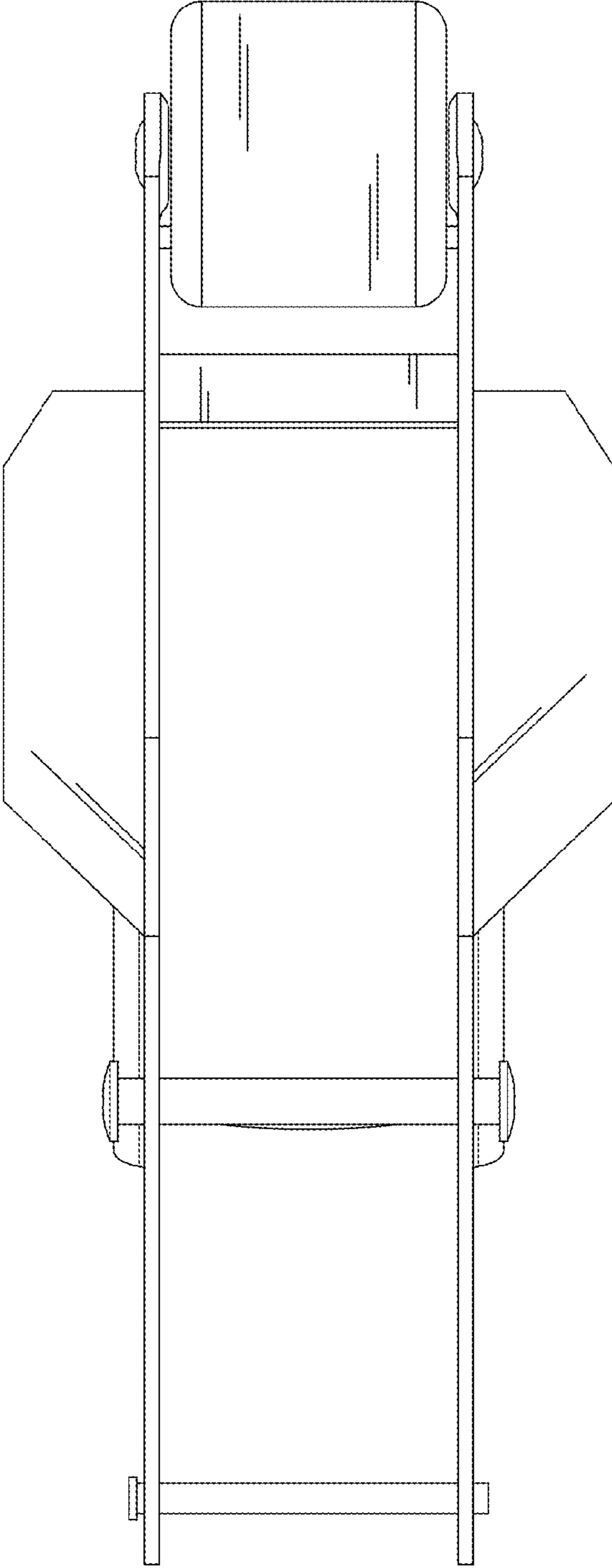


FIG.7

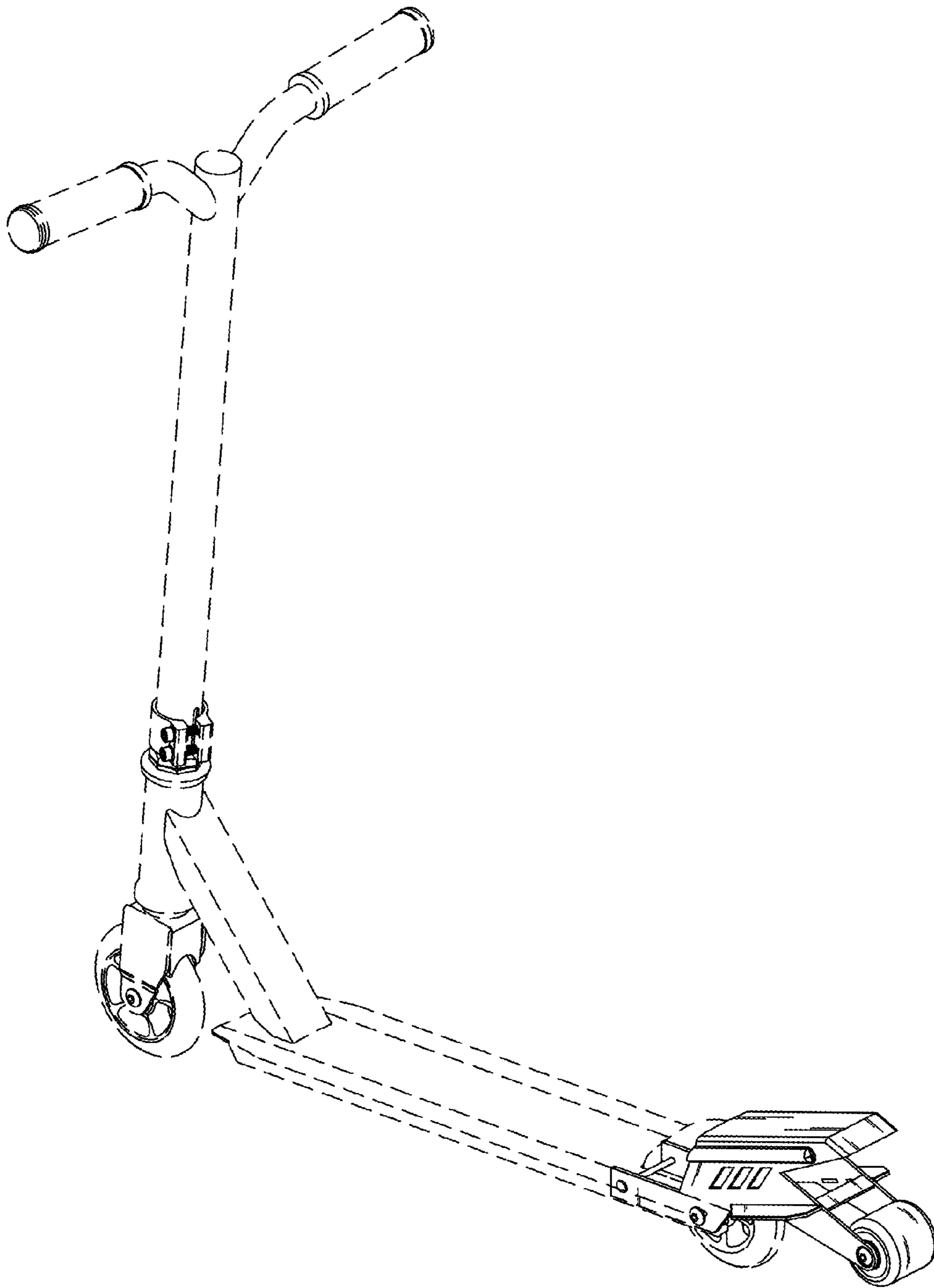


FIG.8