



US00D708677S

(12) **United States Design Patent**
Baumann et al.

(10) **Patent No.:** **US D708,677 S**
(45) **Date of Patent:** **** Jul. 8, 2014**

- (54) **SUCTION CUP TOY**
- (71) Applicant: **Procreate Brands LLC**, Ferndale, WA (US)
- (72) Inventors: **Scott Baumann**, Anacortes, WA (US);
Brian Wheeler, Bellingham, WA (US)
- (73) Assignee: **Octoblocs LLC**, Ferndale, WA (US)
- (**) Term: **14 Years**
- (21) Appl. No.: **29/471,082**
- (22) Filed: **Oct. 28, 2013**
- (51) **LOC (10) Cl.** **21-01**
- (52) **U.S. Cl.**
USPC **D21/398**; D21/407; D21/498
- (58) **Field of Classification Search**
USPC D21/300–302, 304, 309, 385–389,
D21/398–400, 404, 405–407, 436–440, 453,
D21/455, 460, 461, 465, 466, 471, 473, 479,
D21/483, 493, 498, 503, 561–563, 567, 572,
D21/576–661, 681, 682, 694, 707, 714, 787,
D21/790, 794, 798, 811, 812; 446/92,
446/46–48, 69, 71–73, 75, 77, 85, 97–101,
446/117, 120, 121, 124, 125, 126, 128, 129,
446/137–139, 177, 182–184, 186, 187, 193,
446/197, 198, 220–226, 268, 320, 321, 324,
446/337–339, 376, 383, 390, 391, 419, 421,
446/431, 437–439, 458, 486, 487, 489;
473/614, 569–576, 579, 580, 588, 589,
473/592, 595, 596, 612, 615; D19/65, 66,
D19/71, 86, 90, 91, 95–97; D11/121, 124,
D11/125, 127–130, 131, 157, 158, 160, 164,
D11/181; D20/10, 12, 16, 17, 19, 21,
D20/29–32, 41; D25/126, 128, 130, 133,
D25/135; D8/29, 71, 300, 303, 305, 310,
D8/315, 318, 349, 354, 373, 376, 378, 379,
D8/402, DIG. 1–DIG. 8; D7/590–597, 599,

D7/611, 665, 669, 670, 393, 395, 396;
D24/115, 200, 211–215; D28/92, 93;
D30/160; D9/600–681, 500–505;
D26/1–7, 25, 40, 41; 428/8, 9, 11, 12,
428/28; 119/707–711; 248/683, 688, 206.2,
248/206.3, 206.4, 205.5–205.8, 363
See application file for complete search history.

(56) **References Cited**

U.S. PATENT DOCUMENTS

745,404	A	*	12/1903	Tower	16/417
1,065,307	A		6/1913	Evertts		
1,193,991	A		8/1916	Cigol		
D75,220	S	*	5/1928	Dahlstrom	D19/97
2,074,519	A		3/1937	Shephard		
2,187,493	A		1/1940	Taylor		
2,187,524	A		1/1940	Price		
D119,035	S		2/1940	Lindgren		
D120,840	S		5/1940	Singer		

(Continued)

Primary Examiner — Catherine Tuttle

(74) *Attorney, Agent, or Firm* — Tejpal S. Hansra

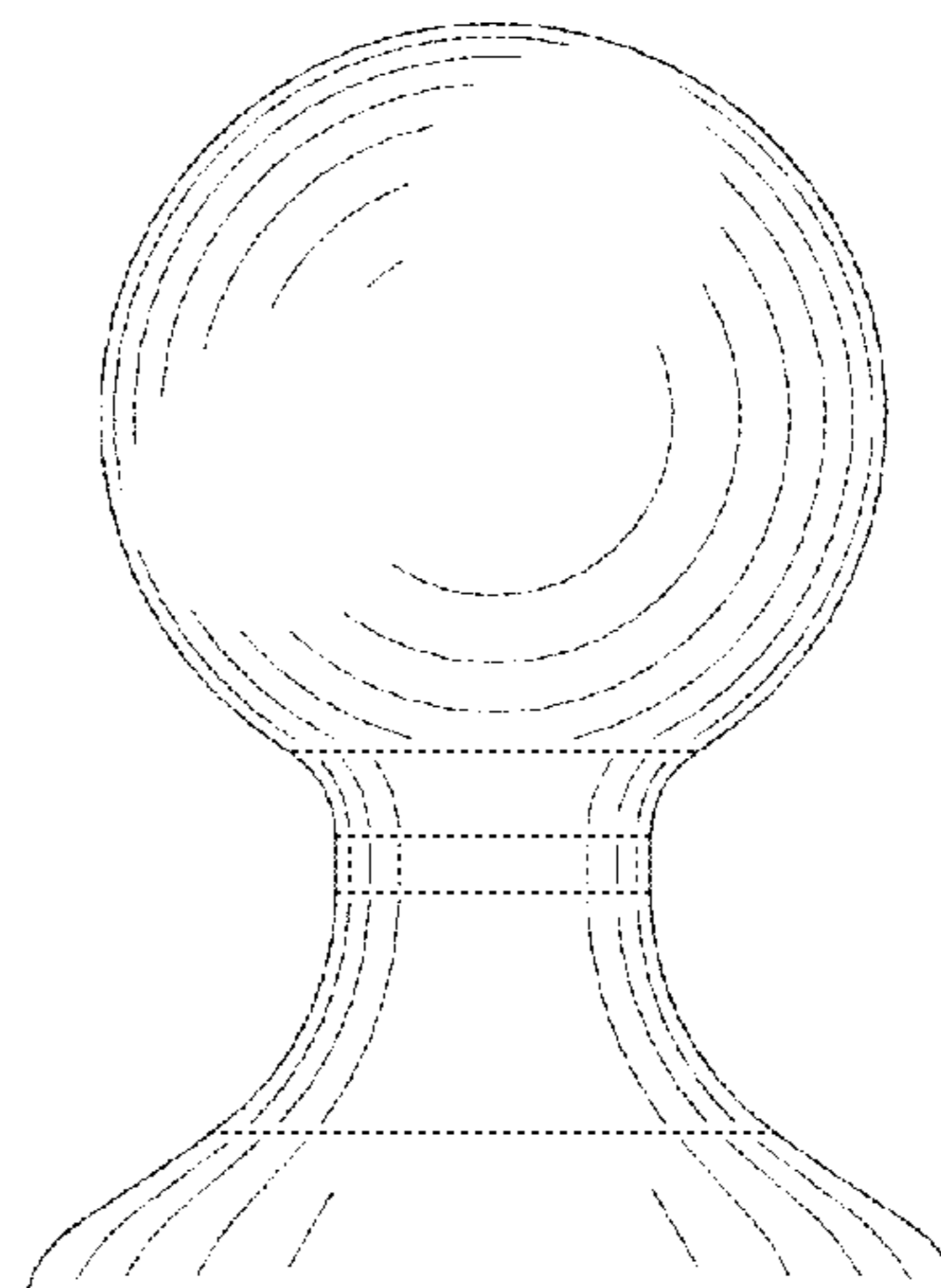
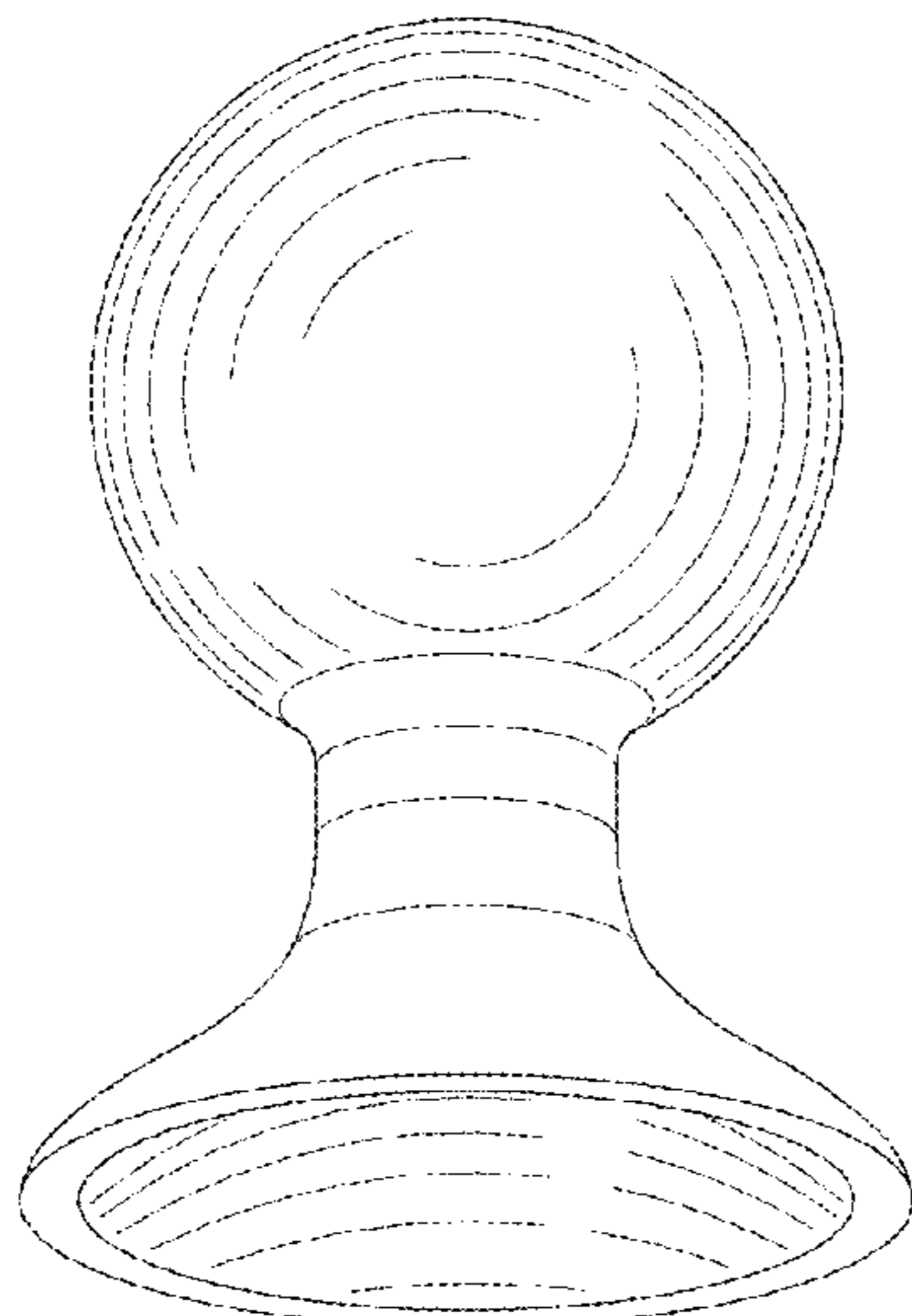
(57) **CLAIM**

The ornamental design for a suction cup toy, as shown and described.

DESCRIPTION

FIG. 1 is an isometric view of a suction cup toy showing our new design;
FIG. 2 is a front view thereof;
FIG. 3 is a right side view thereof;
FIG. 4 is a left side view thereof;
FIG. 5 is a back view thereof;
FIG. 6 is a top view thereof; and,
FIG. 7 is a bottom view thereof.

1 Claim, 2 Drawing Sheets



(56)

References Cited

U.S. PATENT DOCUMENTS

D122,424 S 9/1940 Singer
D125,096 S 2/1941 Singer
D126,841 S 4/1941 Singer
2,385,977 A 10/1945 Farmer
3,008,719 A 11/1961 Misko
3,104,877 A 9/1963 Gross
3,143,265 A * 8/1964 Ruderian 294/142
3,655,193 A 4/1972 Jones
3,939,581 A 2/1976 Clarke, Jr.
4,030,761 A 6/1977 Daller
4,291,490 A 9/1981 Ikeda
4,339,138 A 7/1982 Di Manno
D275,410 S 9/1984 Panicci
D276,450 S * 11/1984 Panicci D21/407
D277,018 S * 1/1985 Paczko D21/407
4,892,500 A 1/1990 Lau
D319,854 S * 9/1991 Geary D21/662
5,045,011 A 9/1991 Lovik
5,125,656 A 6/1992 Fabanich
5,199,716 A 4/1993 Defluiter et al.
5,397,124 A 3/1995 Nevel
5,580,336 A 12/1996 Coallier
5,603,503 A 2/1997 Lapidus
6,112,703 A 9/2000 Handelsman
D439,378 S 3/2001 Loomis
D441,506 S 5/2001 Flynn
D441,925 S 5/2001 Flynn
D444,976 S 7/2001 Hundley
D470,277 S 2/2003 Tu

6,793,636 B1 9/2004 Pepera
D519,588 S 4/2006 Carbonero
7,022,036 B2 4/2006 Dufflon et al.
D532,113 S 11/2006 Huang
7,198,536 B2 4/2007 Nuccio et al.
7,207,294 B2 4/2007 Stasio
7,448,967 B1 11/2008 Panneri et al.
D589,327 S * 3/2009 Carnevali D8/354
D612,521 S 3/2010 Liu et al.
7,806,746 B2 10/2010 Walterscheid
D633,902 S * 3/2011 Tokuno D14/244
D641,433 S * 7/2011 Walterscheid D21/630
D648,034 S 11/2011 Rice
8,047,936 B2 11/2011 Dufflon et al.
D661,031 S 5/2012 Christianson
D664,472 S 7/2012 Walterscheid
D681,420 S * 5/2013 Ileuov et al. D8/354
D685,146 S * 6/2013 Stiles D30/160
D696,673 S * 12/2013 Vogel D14/447
2001/0029904 A1 10/2001 Viola
2004/0018798 A1 * 1/2004 Chuang 446/320
2006/0030234 A1 2/2006 Stiber et al.
2009/0256037 A1 10/2009 Singh
2010/0041300 A1 2/2010 Bevirt
2012/0094571 A1 4/2012 Kovens
2012/0108138 A1 5/2012 Walterscheid
2012/0125267 A1 5/2012 Kelly
2012/0292466 A1 11/2012 Song
2012/0309259 A1 12/2012 Mak
2013/0075563 A1 * 3/2013 Tsai et al. 248/309.3
2013/0112824 A1 5/2013 Chen et al.

* cited by examiner

FIG. 1

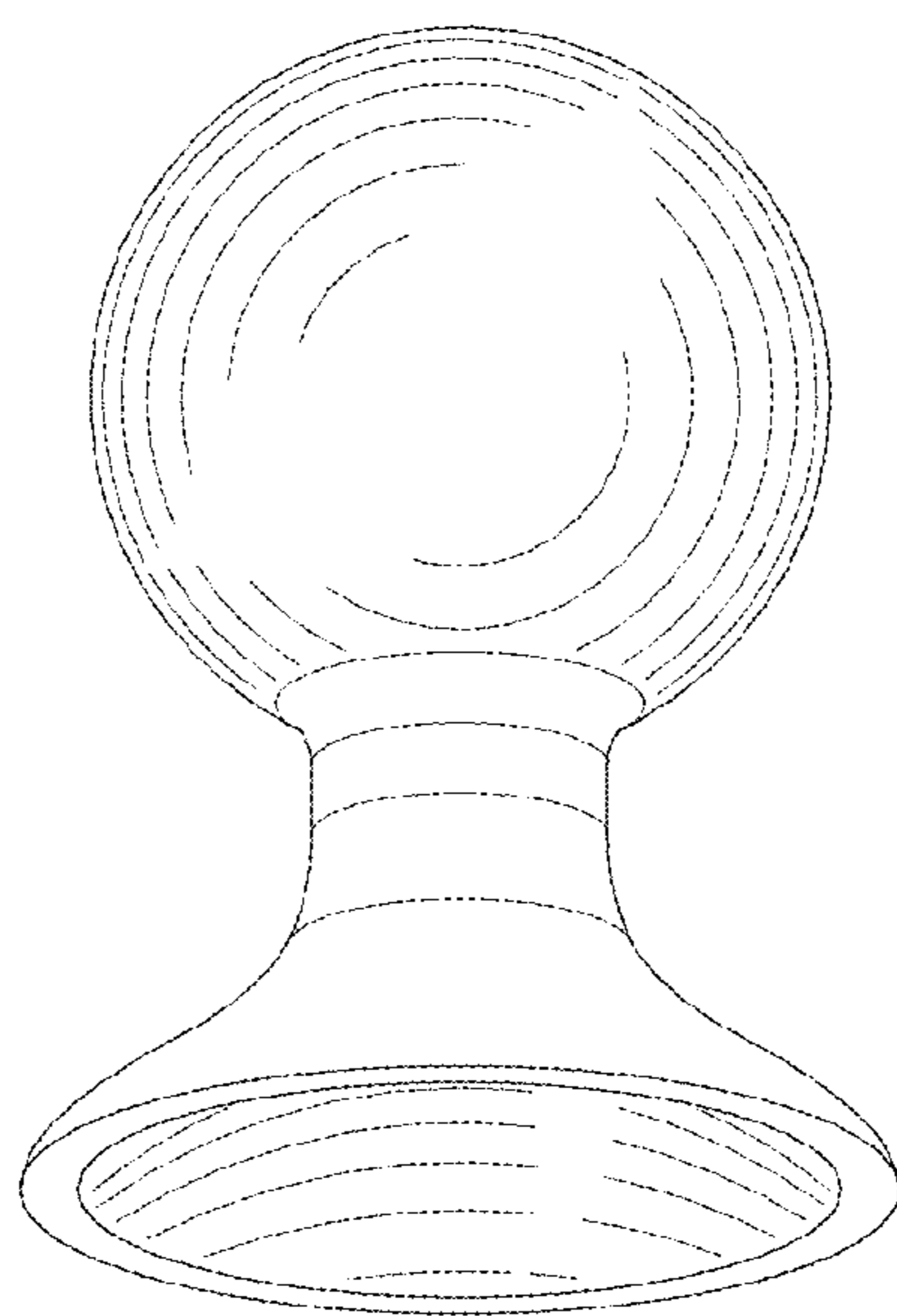


FIG. 2

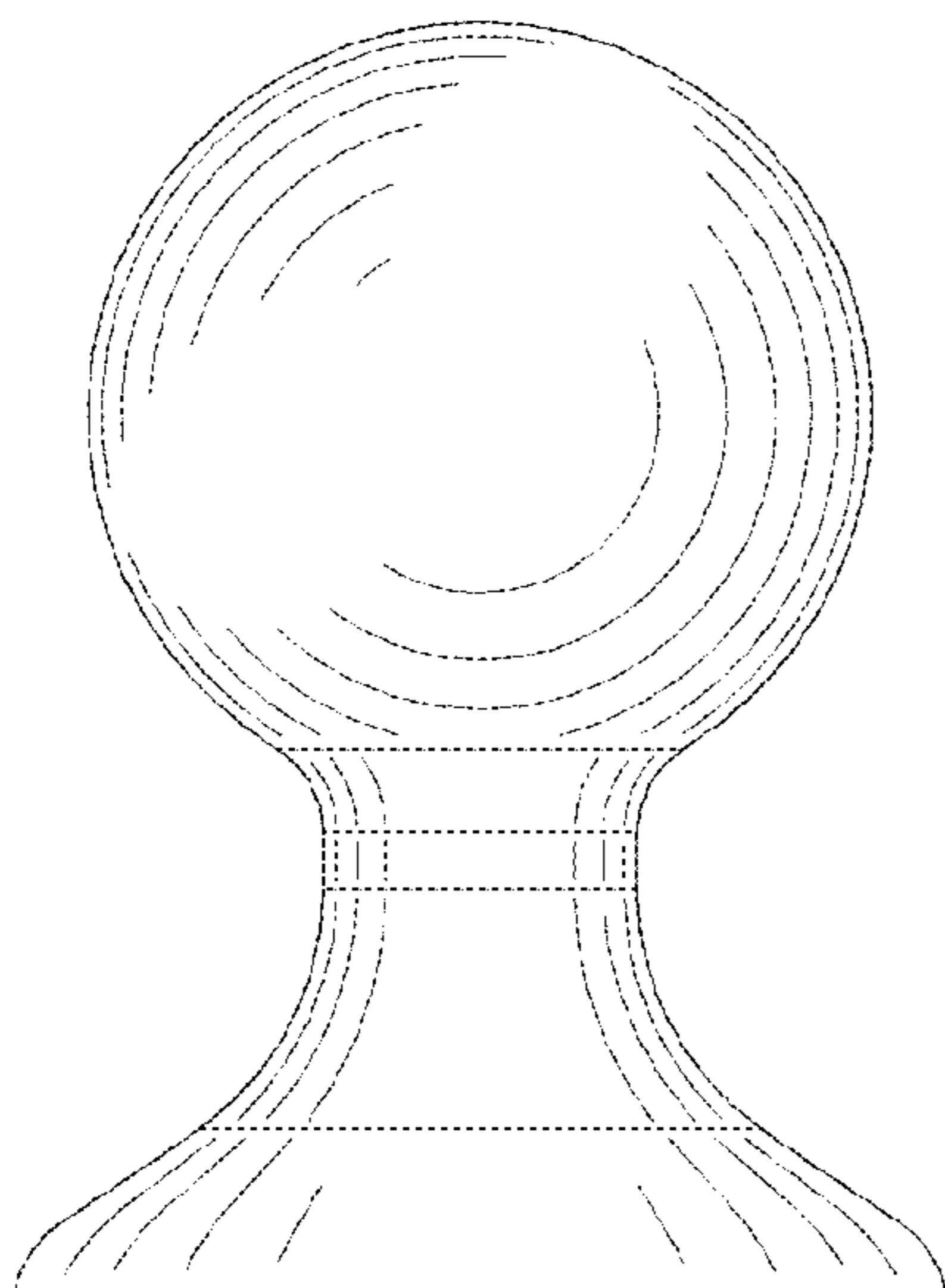


FIG. 3

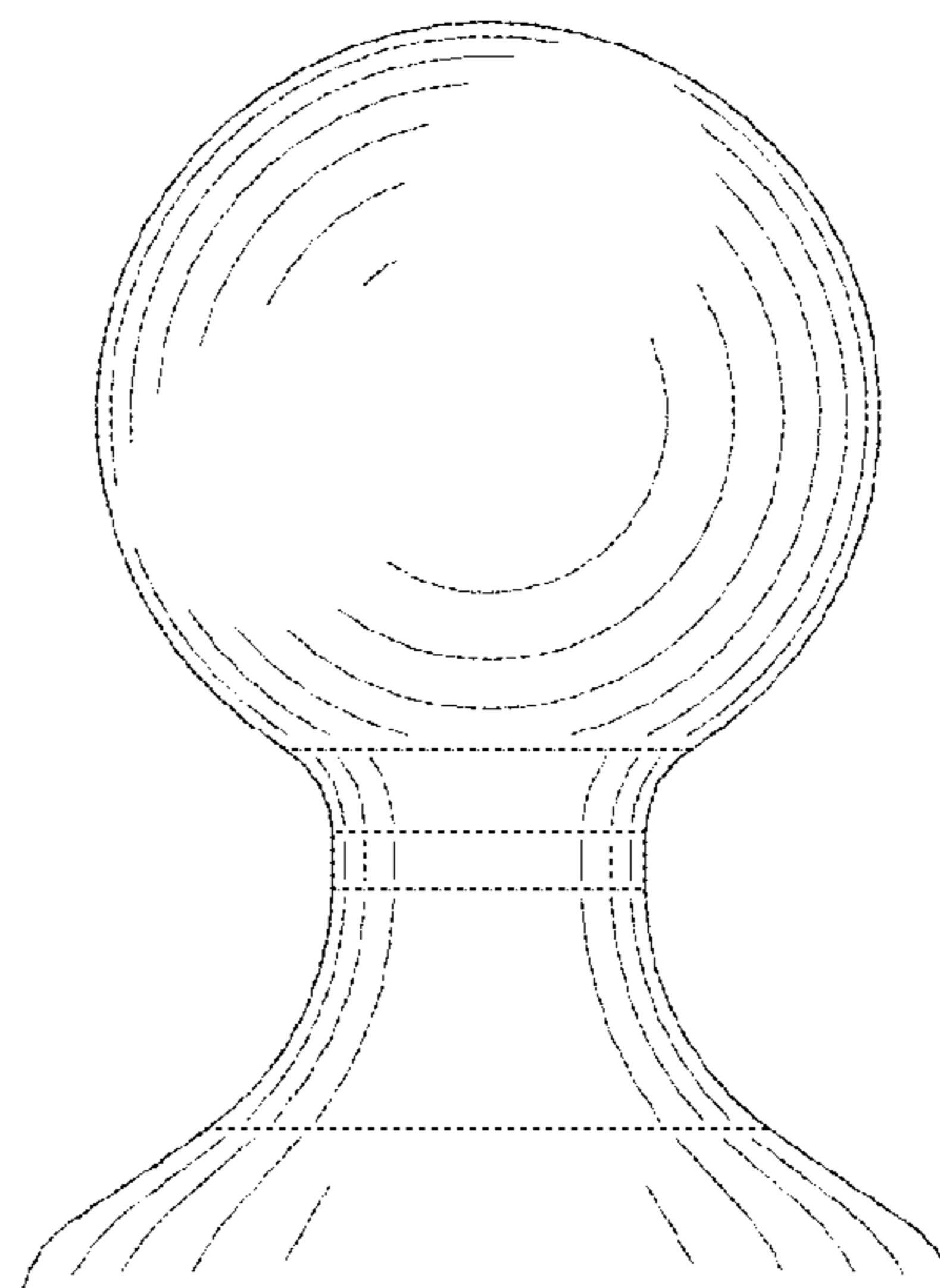


FIG. 4

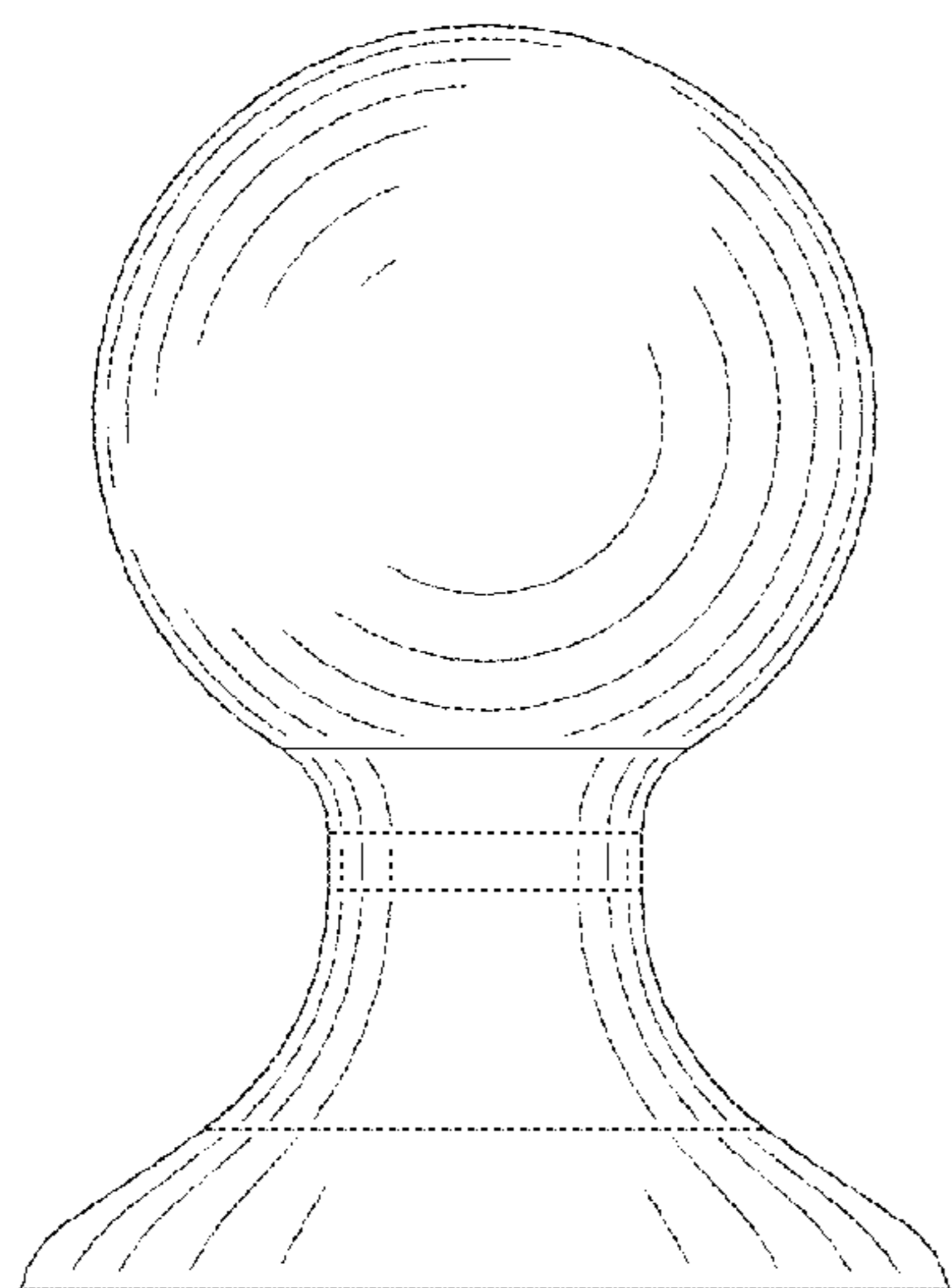


FIG. 5

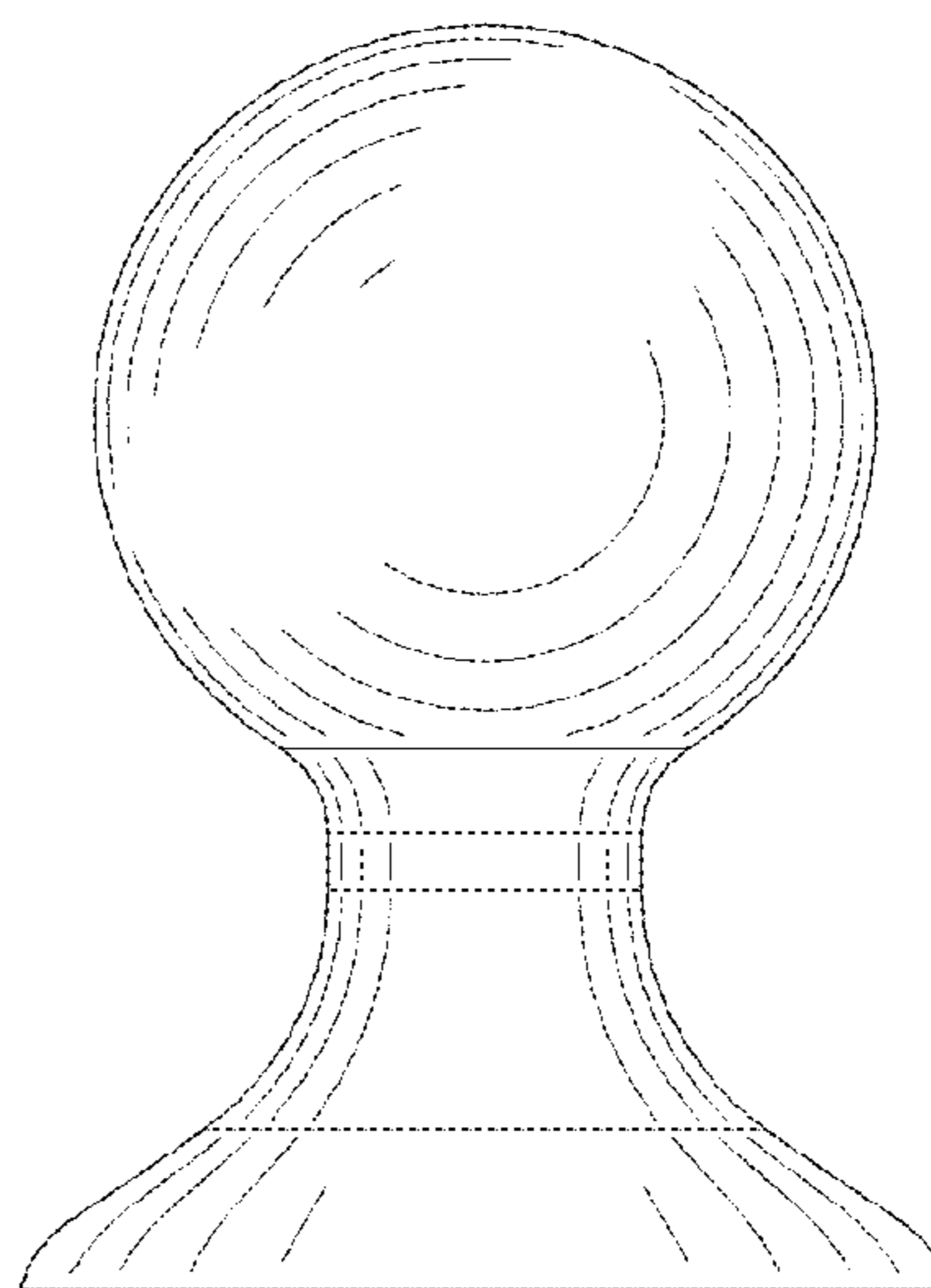


FIG. 6

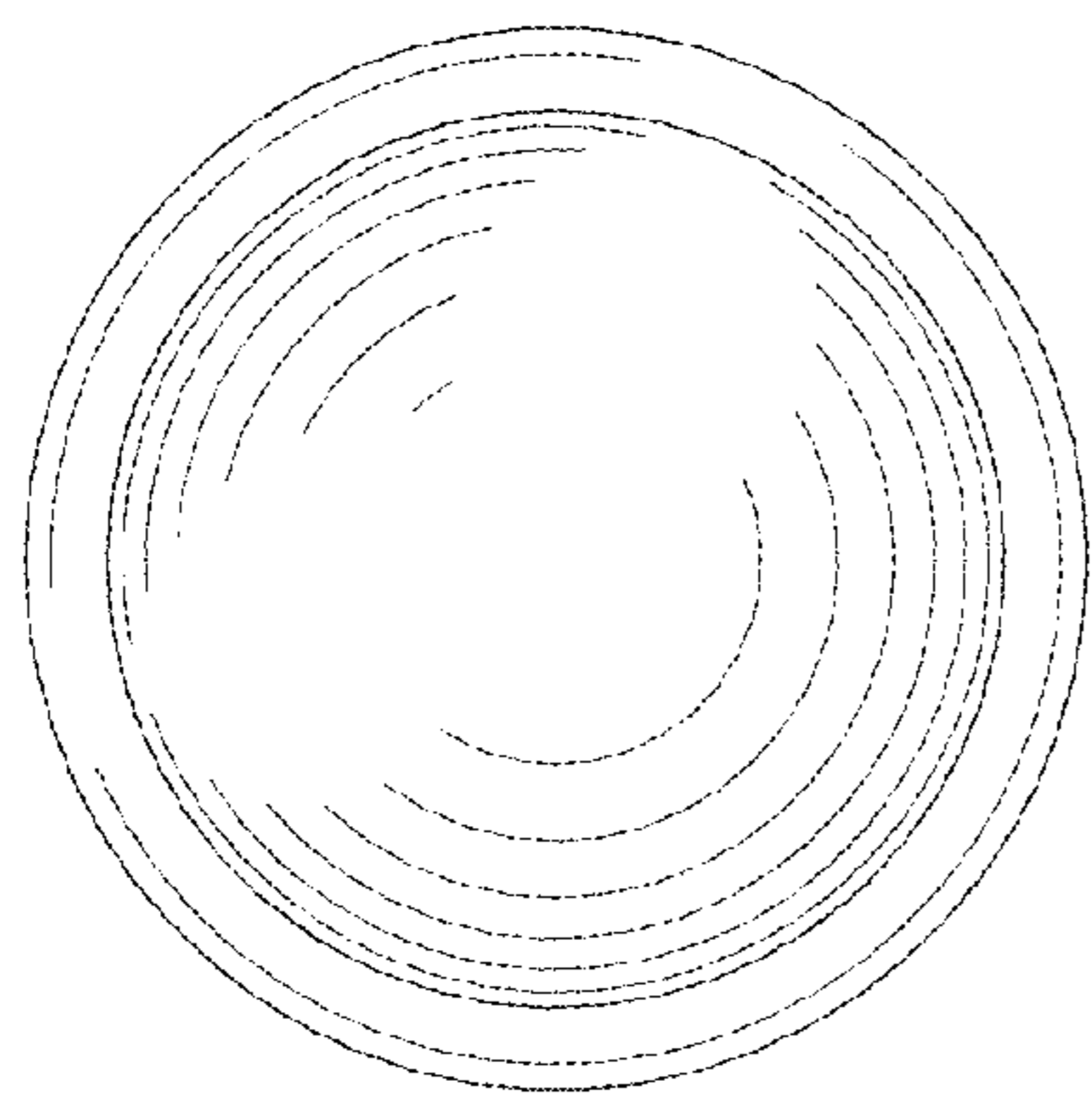


FIG. 7

