



US00D708676S

(12) **United States Design Patent**
Ballman et al.

(10) **Patent No.:** **US D708,676 S**
(45) **Date of Patent:** **** Jul. 8, 2014**

- (54) **WAGERING KIOSK**
 - (71) Applicant: **XeraFlop Technologies Inc.**, Vancouver (CA)
 - (72) Inventors: **Glenn Stacey Ballman**, Calgary (CA); **Glenn Colegate**, Telford (GB)
 - (73) Assignee: **XeraFlop Technologies Inc.**, Vancouver, B.C. (CA)
 - (**) Term: **14 Years**
 - (21) Appl. No.: **29/444,997**
 - (22) Filed: **Feb. 6, 2013**
 - (51) **LOC (10) Cl.** **21-03**
 - (52) **U.S. Cl.**
USPC **D21/369; D14/307**
 - (58) **Field of Classification Search**
USPC D14/302, 305-307, 485-486;
D21/324-325, 329, 369-371, 385;
273/146, 274; 463/17, 20, 46-47;
715/781, 786
- See application file for complete search history.

- D508,541 S * 8/2005 Tsujino et al. D21/325
- D523,092 S * 6/2006 Karlsson D21/369
- D557,349 S * 12/2007 Linard et al. D21/370
- D566,702 S * 4/2008 Malone et al. D14/307
- D591,799 S * 5/2009 Yang D21/369
- D599,859 S * 9/2009 Lesley et al. D21/370
- D626,353 S * 11/2010 Magruder D20/10
- 2006/0131810 A1 * 6/2006 Nicely 463/17

* cited by examiner

Primary Examiner — Sandra Morris

(74) *Attorney, Agent, or Firm* — Chernoff Vilhauer McClung & Stenzel, LLP

(57) **CLAIM**

The ornamental design for a wagering kiosk, as shown and described.

DESCRIPTION

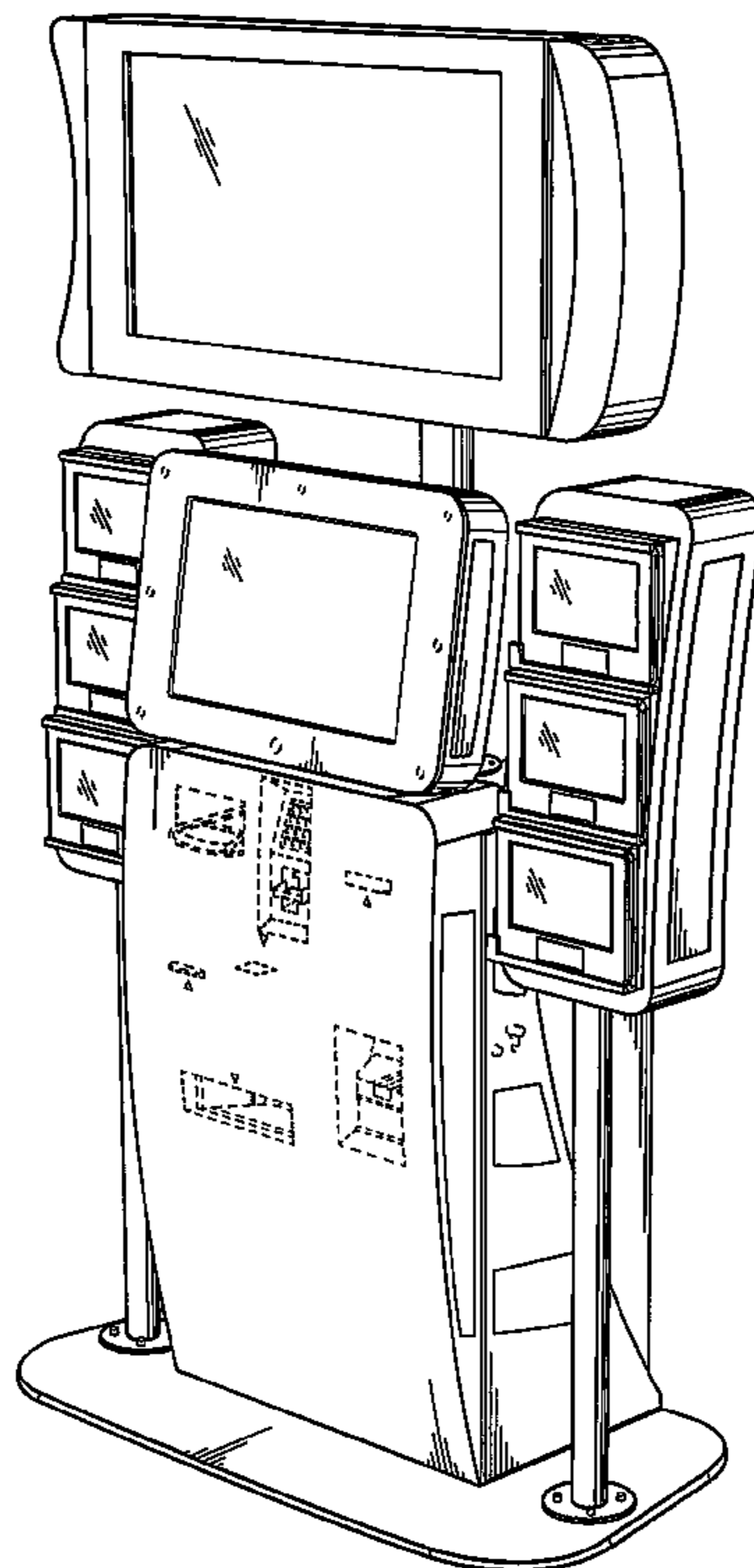
FIG. 1 is an isometric view of the wagering kiosk;
 FIG. 2 is an isometric view of the wagering kiosk with one of its tablet interfaces removed;
 FIG. 3 is an isometric view of the wagering kiosk with one of its displays pivoted to a different orientation;
 FIG. 4 is a front elevation view of the wagering kiosk;
 FIG. 5 is a rear elevation view of the wagering kiosk;
 FIG. 6 is a left side elevation view of the wagering kiosk;
 FIG. 7 is a right side elevation view of the wagering kiosk;
 FIG. 8 is a bottom elevation view of the wagering kiosk; and,
 FIG. 9 is a top elevation view of the wagering kiosk.
 The features shown in broken lines are for illustrative purposes only and form no part of the claimed design.

(56) **References Cited**

U.S. PATENT DOCUMENTS

- D470,895 S * 2/2003 Cole D21/325
- D503,433 S * 3/2005 Tsujino et al. D21/325

1 Claim, 8 Drawing Sheets



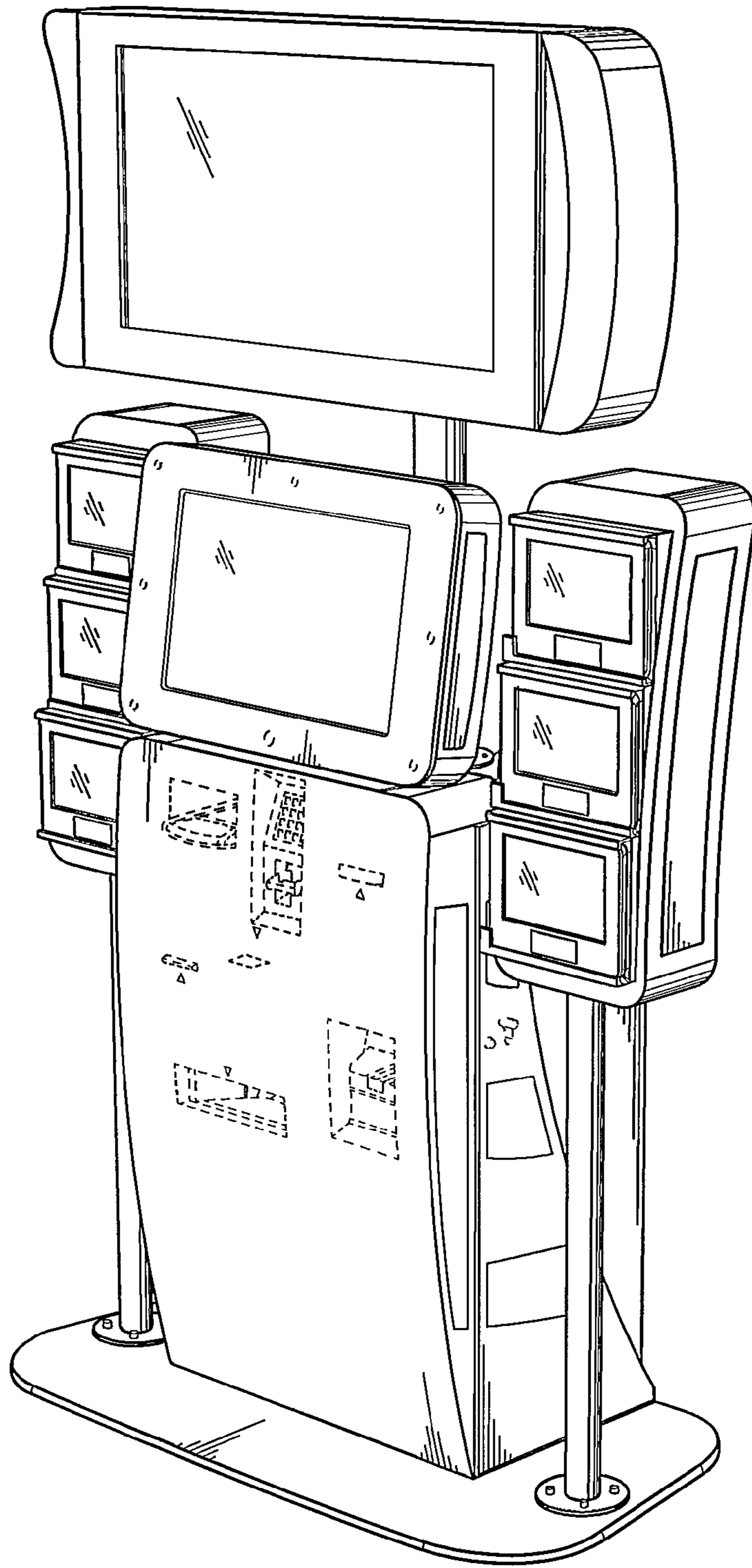


FIG.1

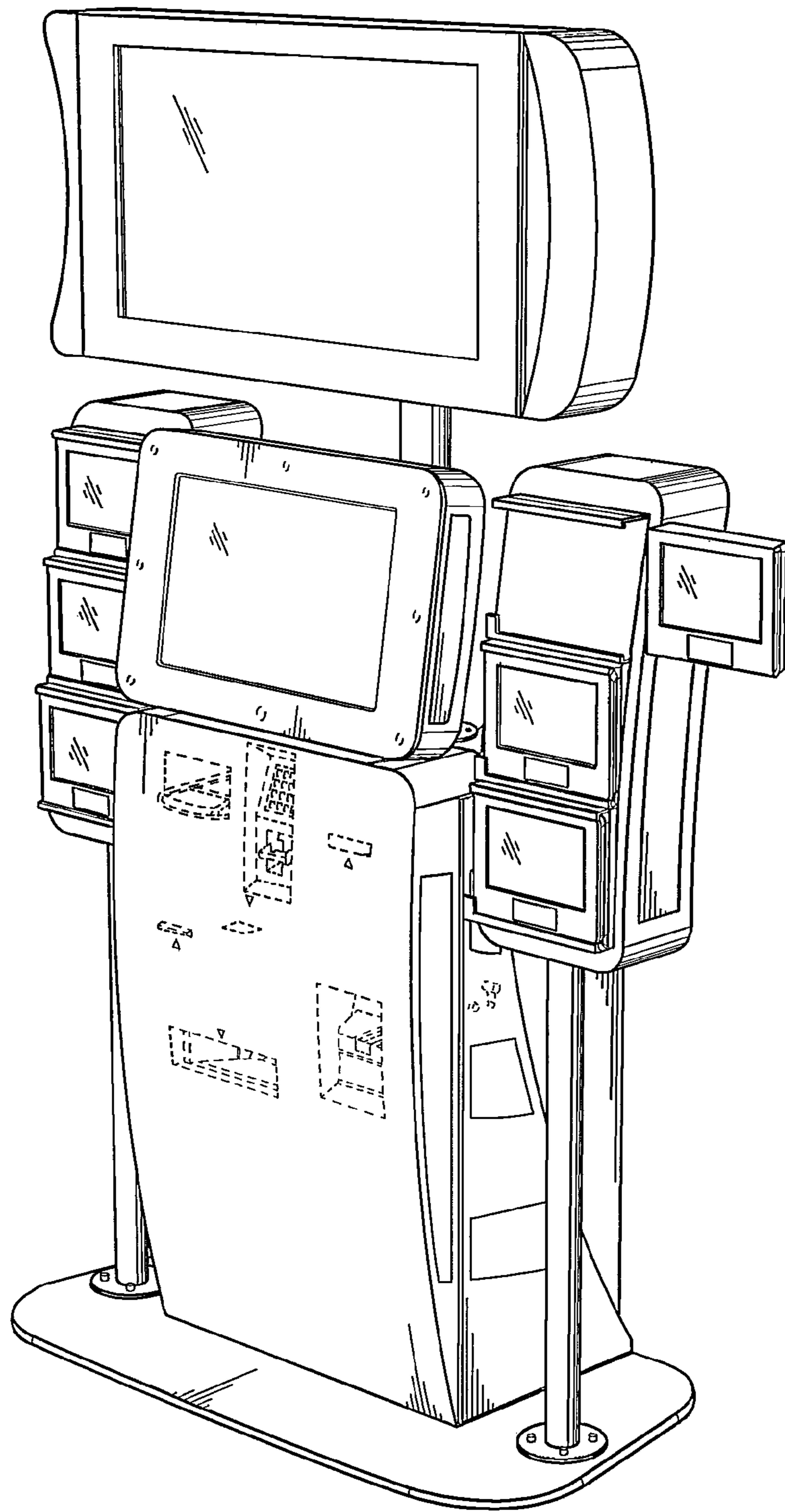


FIG.2

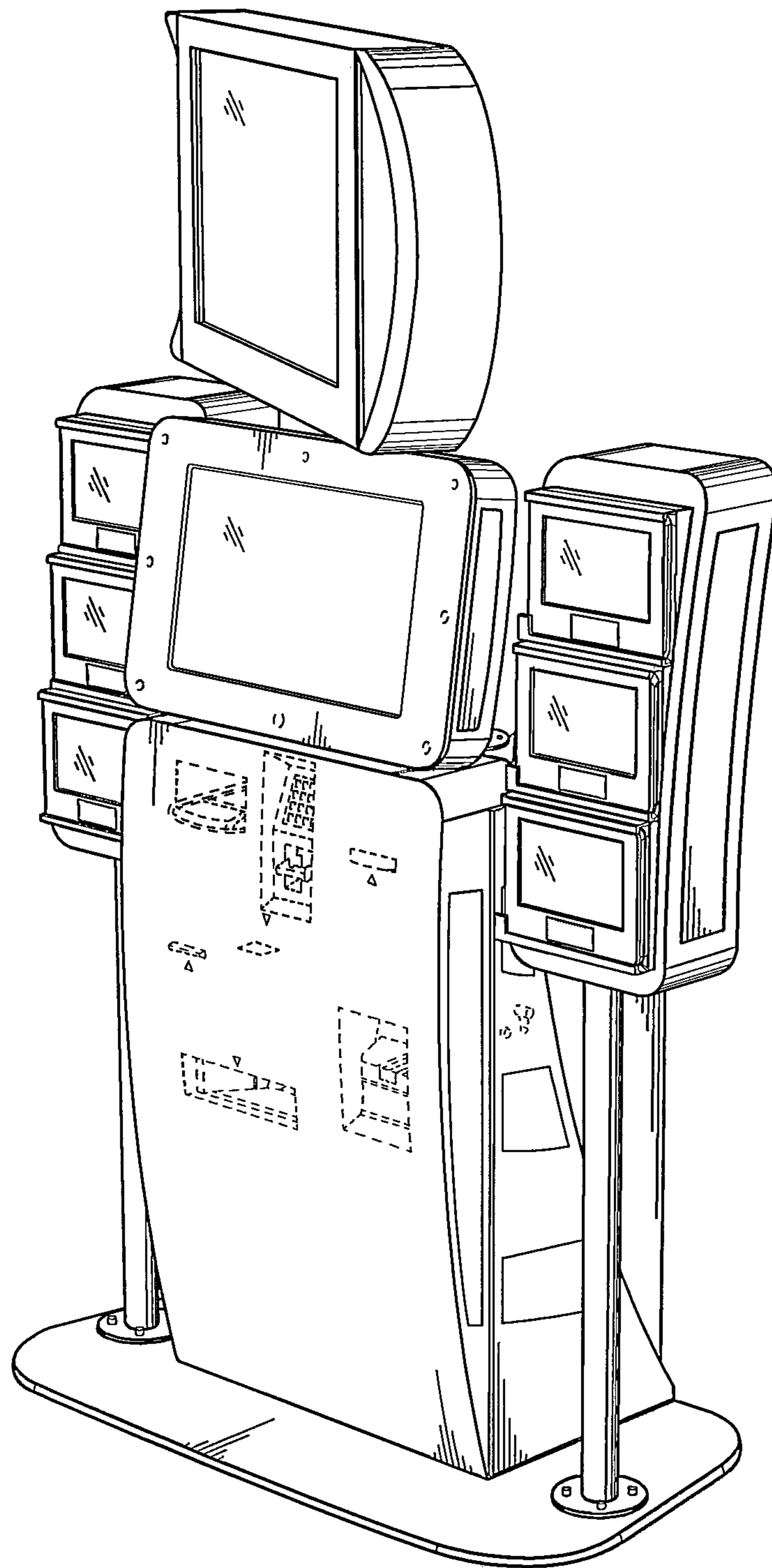


FIG.3

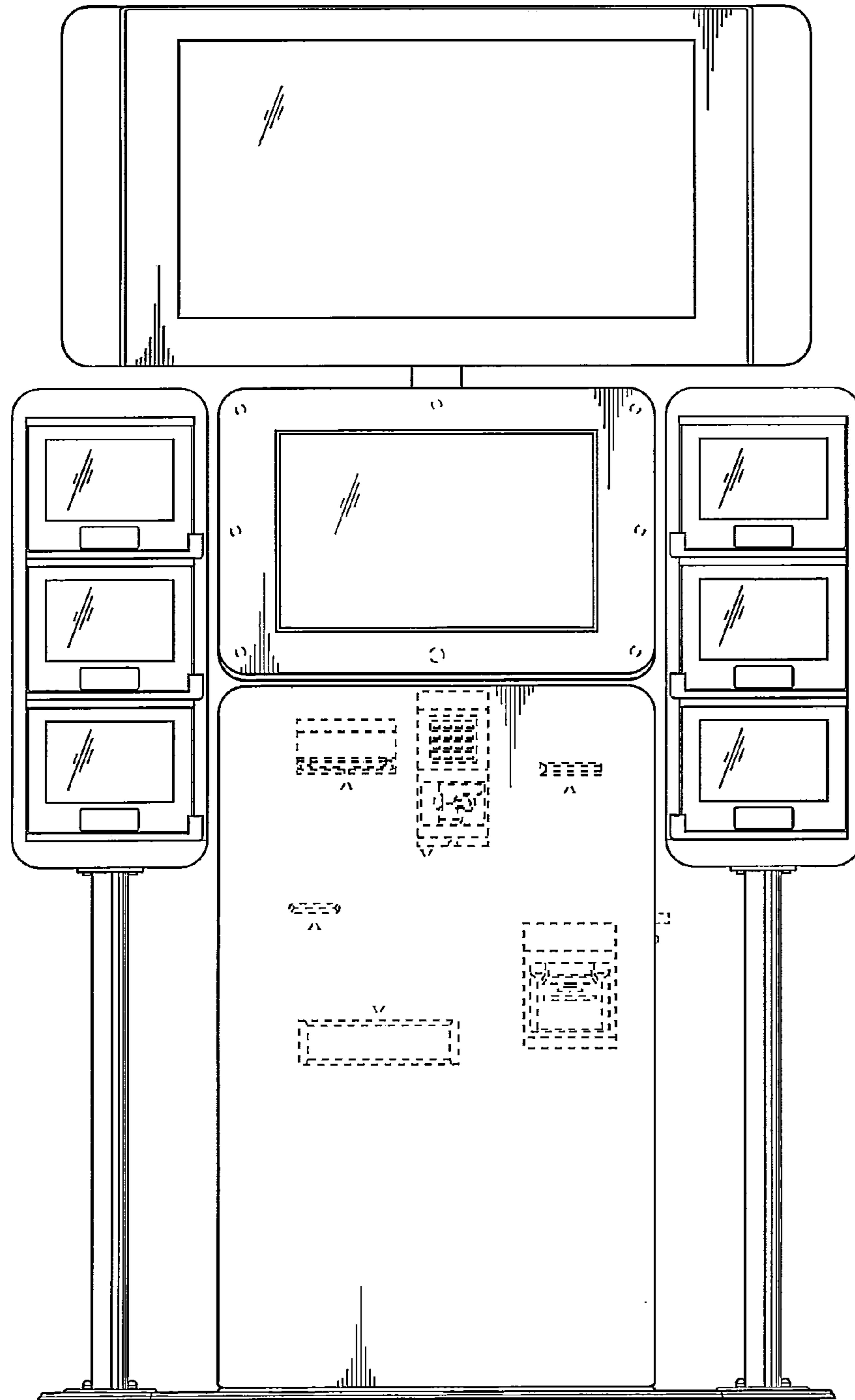


FIG.4

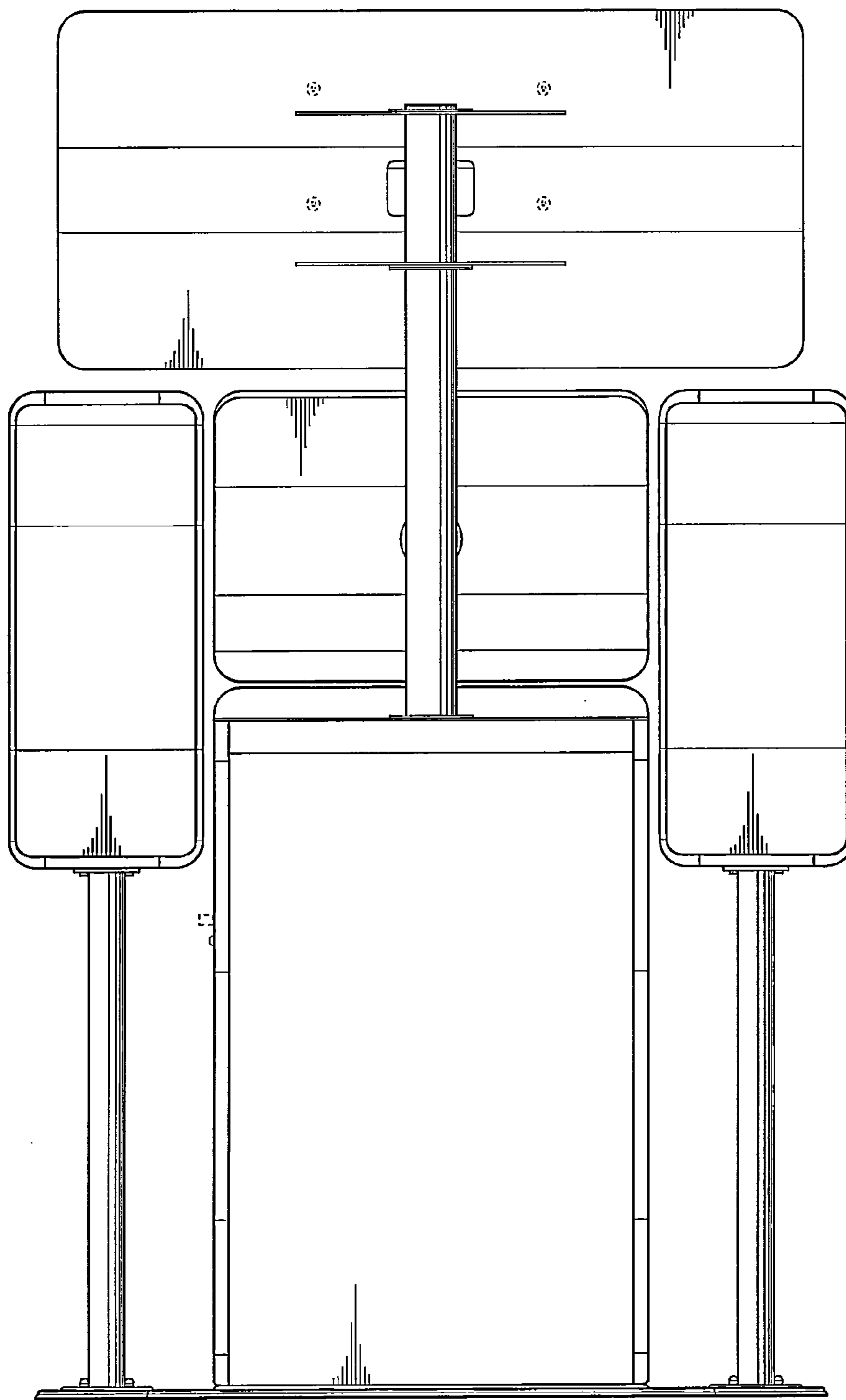


FIG.5

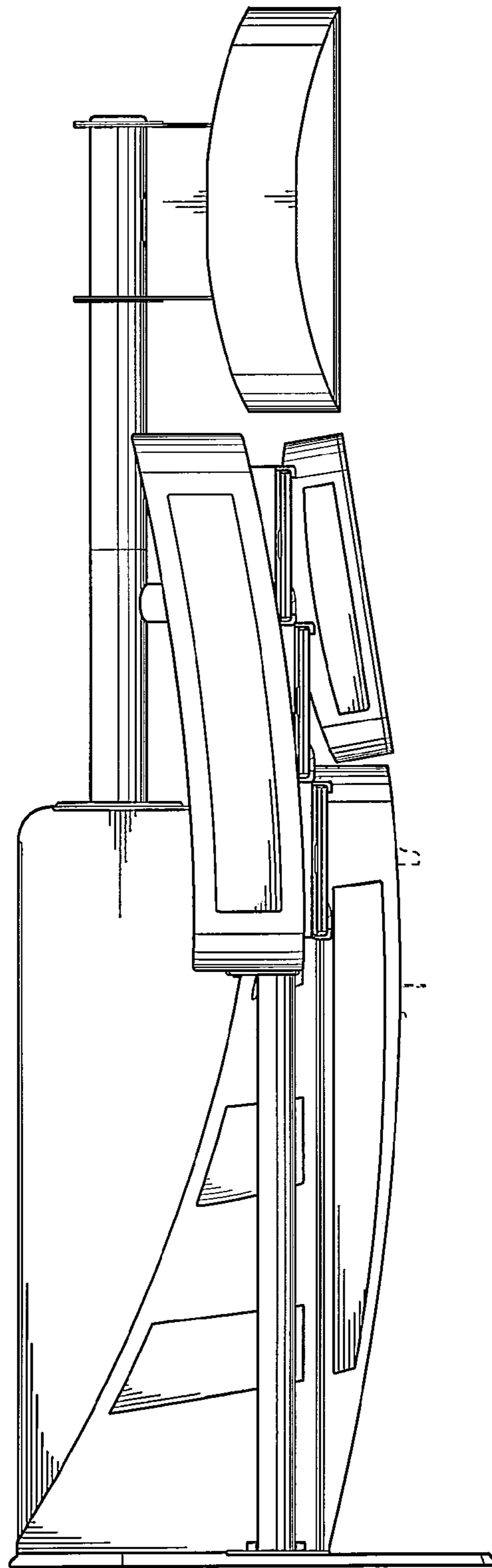


FIG.6

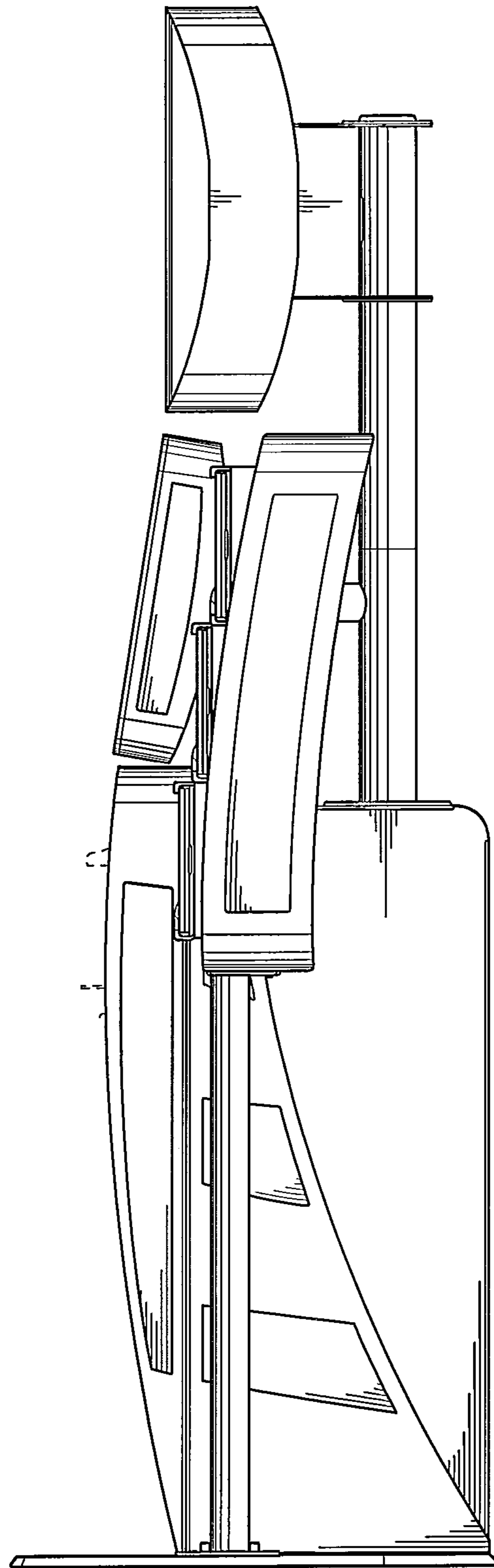


FIG.7

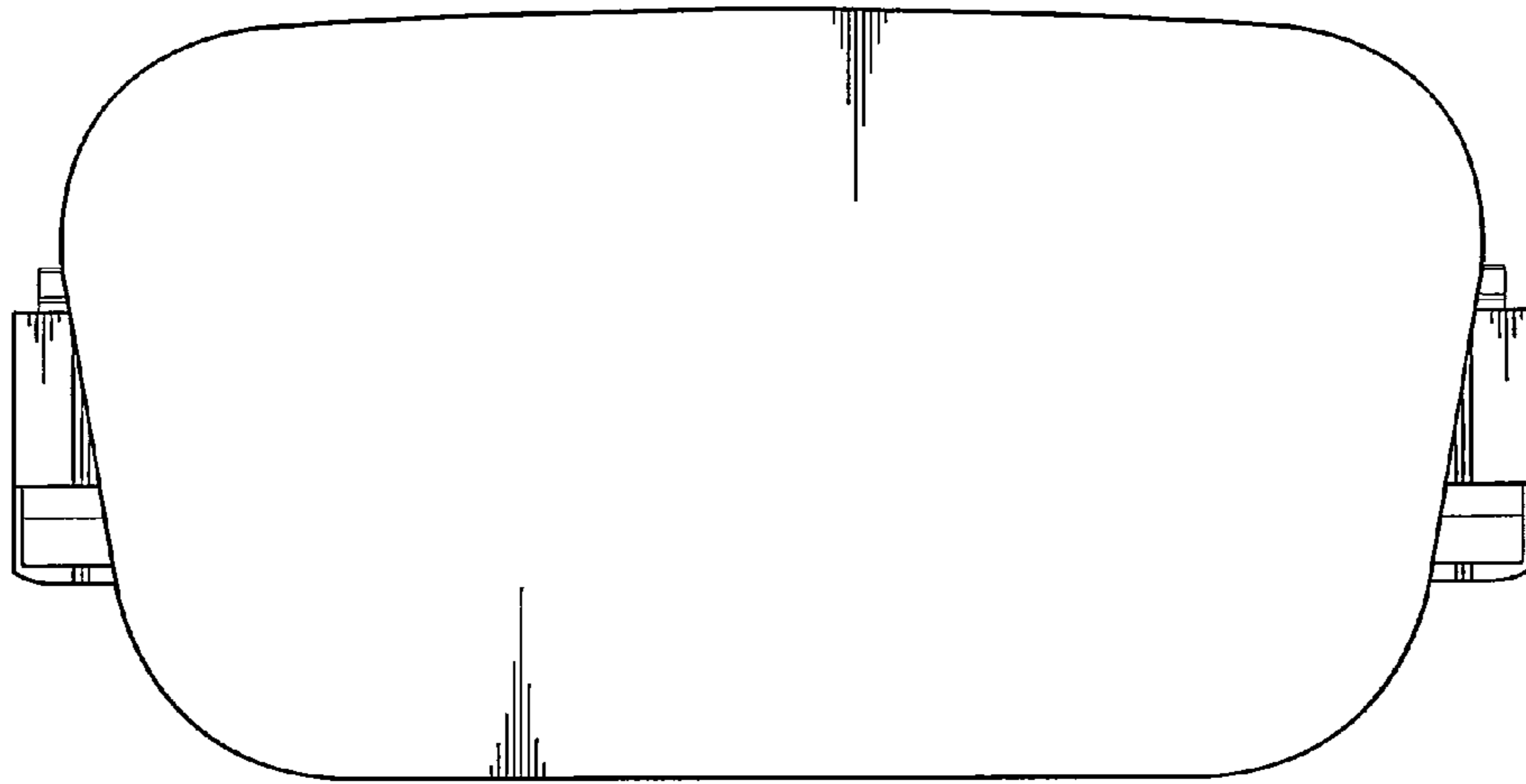


FIG. 8

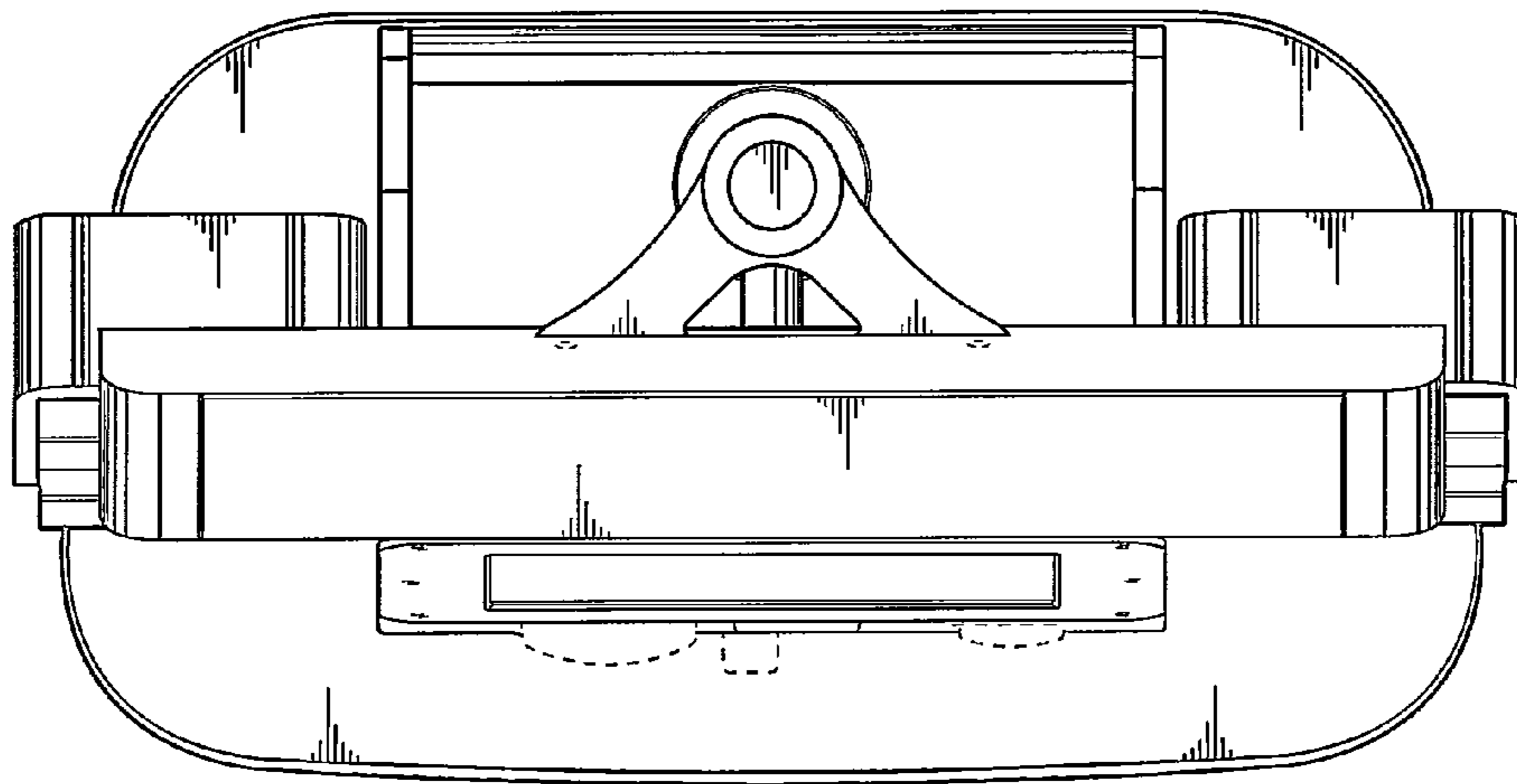


FIG. 9