



US00D708673S

(12) **United States Design Patent**
Tsai

(10) **Patent No.:** **US D708,673 S**
(45) **Date of Patent:** **** Jul. 8, 2014**

(54) **NAME BADGE WITH A RETRACTABLE CORD**

(76) Inventor: **Hai Pin Tsai**, Kowloon (HK)

(**) Term: **14 Years**

(21) Appl. No.: **29/418,994**

(22) Filed: **Apr. 24, 2012**

(30) **Foreign Application Priority Data**

Nov. 14, 2011 (CN) 2011 3 0417673

(51) **LOC (10) CL.** **20-03**

(52) **U.S. Cl.**
USPC **D20/43**

(58) **Field of Classification Search**
USPC D20/10, 19, 22-28, 43, 44, 99; 40/1.5,
40/1.6, 299.01, 642.02, 649-651, 660,
40/661; D3/215, 249; 24/3.1, 3.11, 3.12;
242/371

See application file for complete search history.

(56) **References Cited**

U.S. PATENT DOCUMENTS

2,177,406	A *	10/1939	Hacker	40/1.5
2,659,013	A *	11/1953	Davis et al.	250/482.1
3,256,575	A *	6/1966	Shibata	24/3.1
6,085,393	A *	7/2000	Tsui et al.	24/3.12
6,301,751	B1 *	10/2001	Ohlson	24/3.11
D593,614	S *	6/2009	Didulo et al.	D20/43
7,774,969	B1 *	8/2010	Silverman	40/661
7,905,036	B2 *	3/2011	Howell	40/1.5
D638,477	S *	5/2011	Kado	D20/27

D688,865	S *	9/2013	Tsai	D3/249
D693,574	S *	11/2013	Tsai	D3/249
2013/0306779	A1 *	11/2013	Tsai	242/371

* cited by examiner

Primary Examiner — Mary Ann Calabrese

(74) *Attorney, Agent, or Firm* — Garcia-Zamor IP Law; Ruy M. Garcia-Zamor

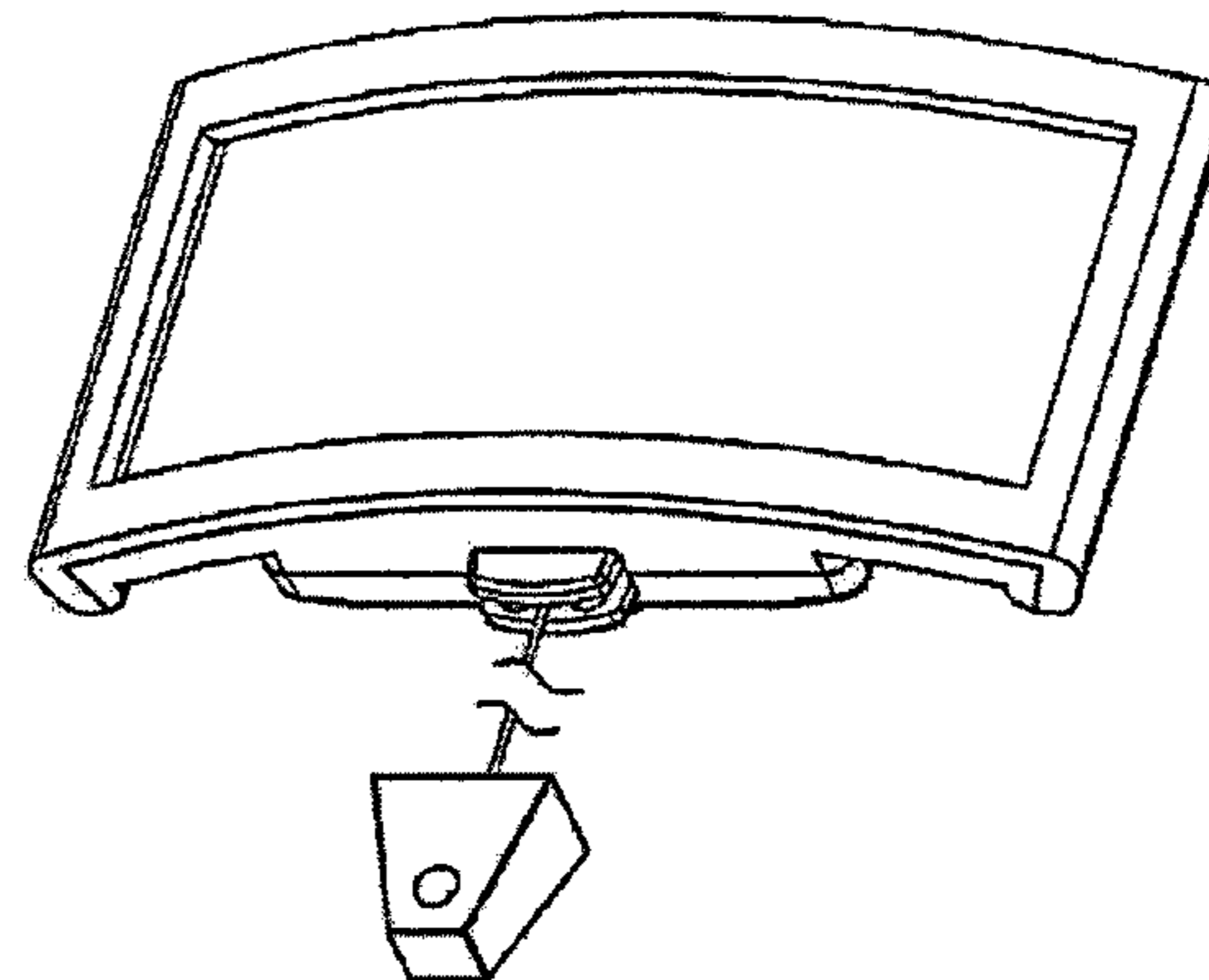
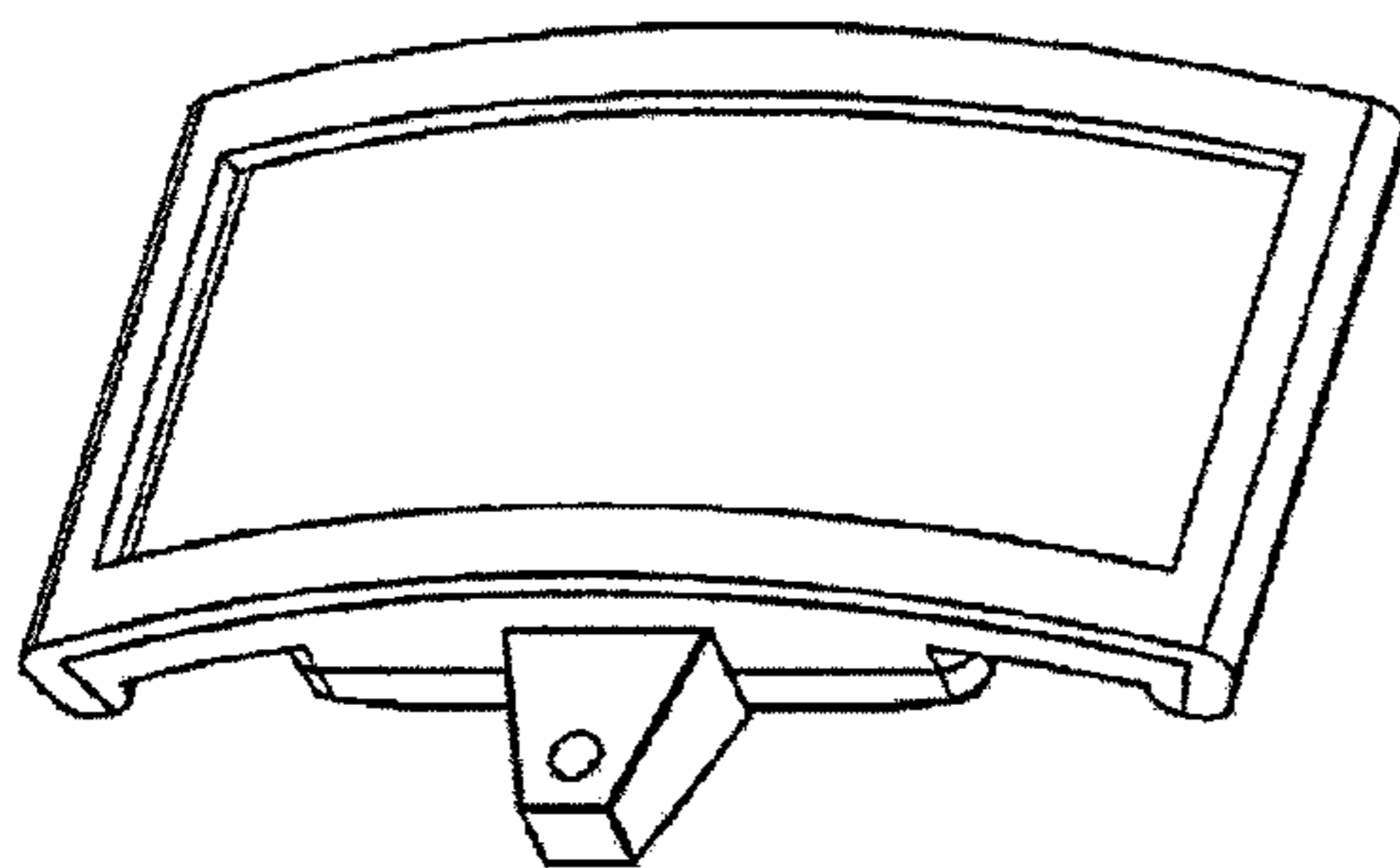
(57) **CLAIM**

I claim a new ornamental design for a name badge with a retractable cord, as shown and described.

DESCRIPTION

FIG. 1 is a front elevational view of the name badge with a retractable cord of my new design;
 FIG. 2 is a rear elevational view of the name badge with a retractable cord of my new design;
 FIG. 3 is a left side elevational view of the name badge with a retractable cord of my new design;
 FIG. 4 is a right side elevational view of the name badge with a retractable cord of my new design;
 FIG. 5 is a bottom plan view of the name badge with a retractable cord of my new design;
 FIG. 6 is a top plan view of the name badge with a retractable cord of my new design;
 FIG. 7 is a perspective view of the name badge with a retractable cord of my new design; and,
 FIG. 8 is a perspective view of the name badge with a retractable cord of my new design, shown in an alternate position of use.

1 Claim, 8 Drawing Sheets



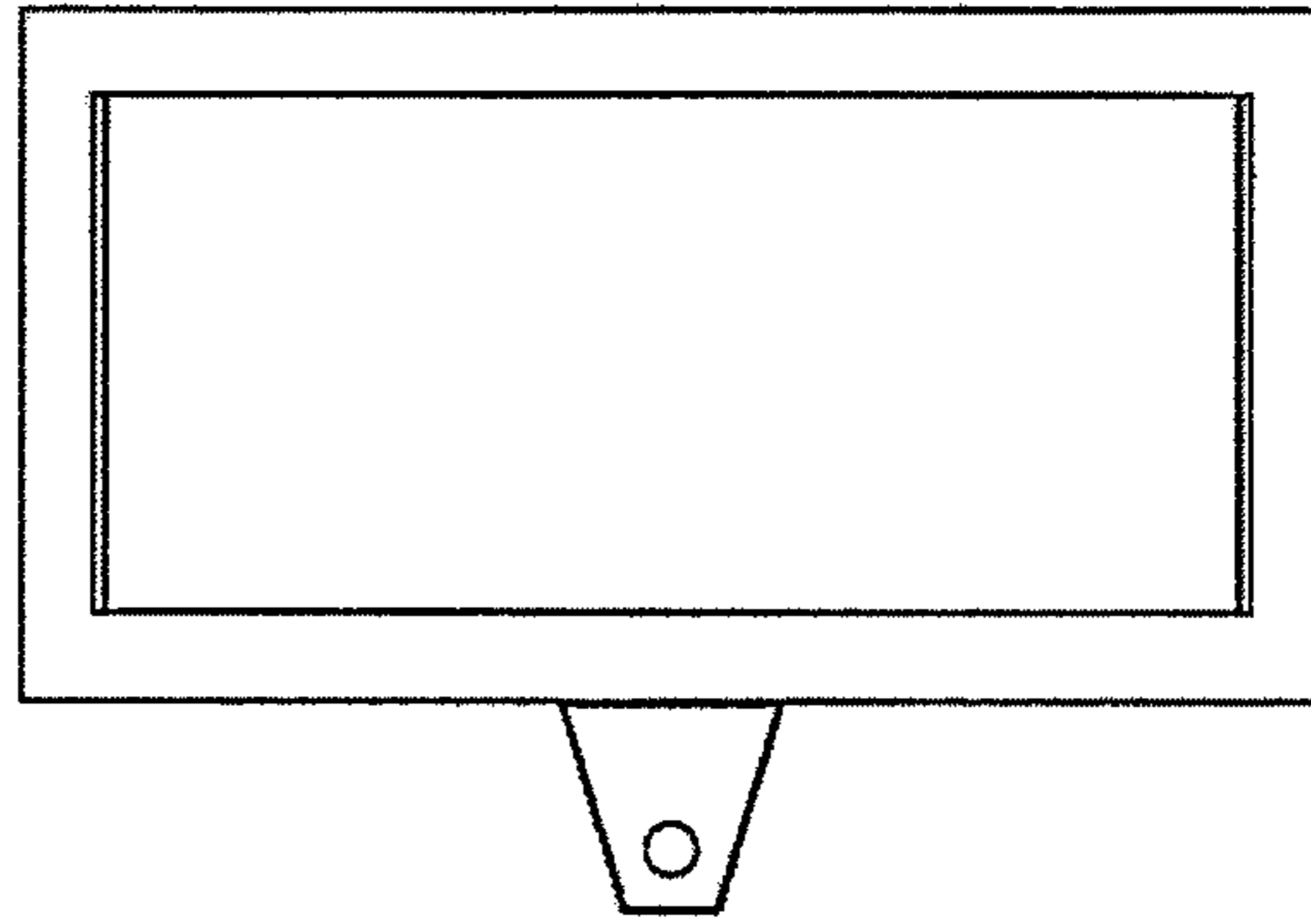


Fig.1

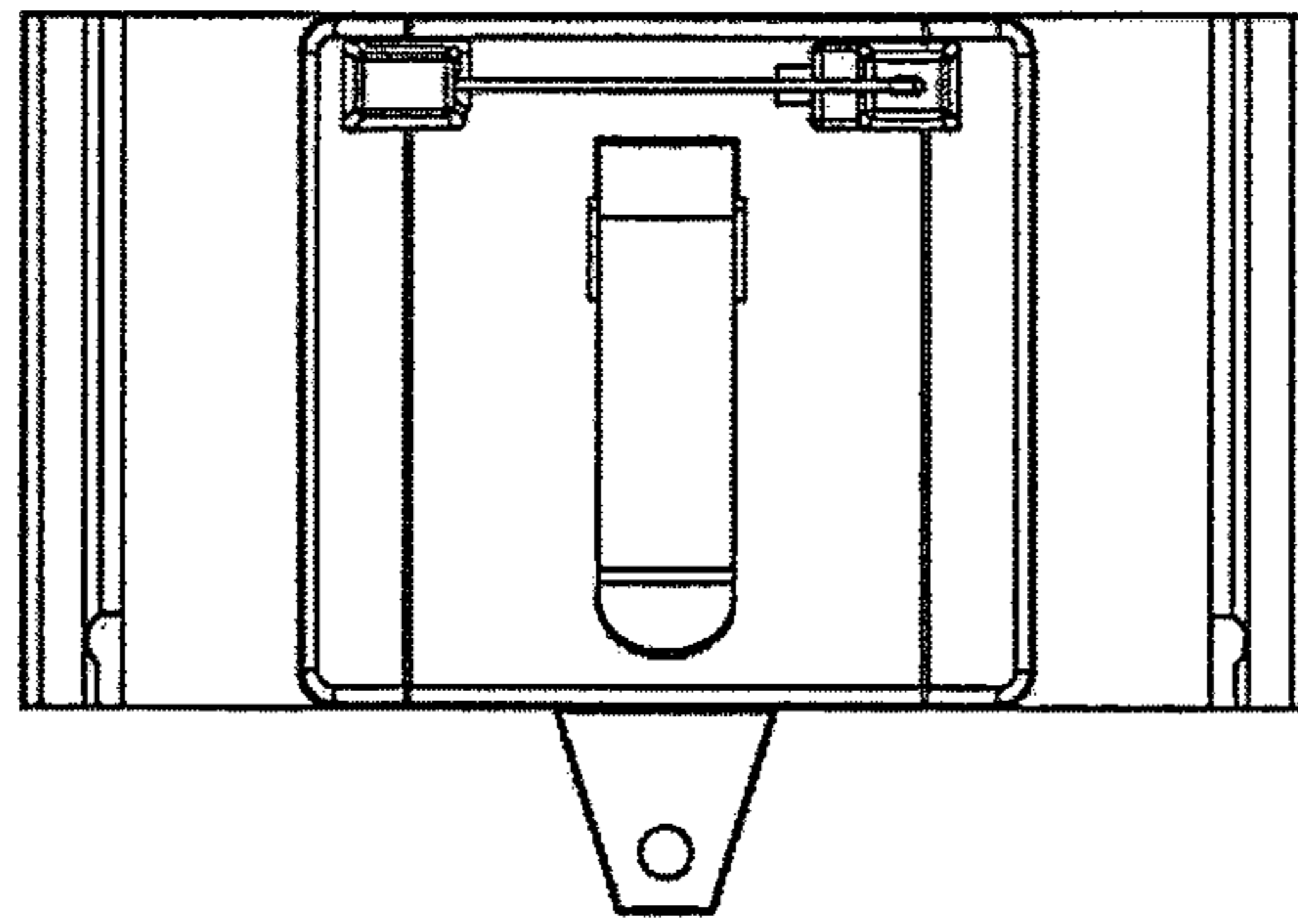


Fig.2

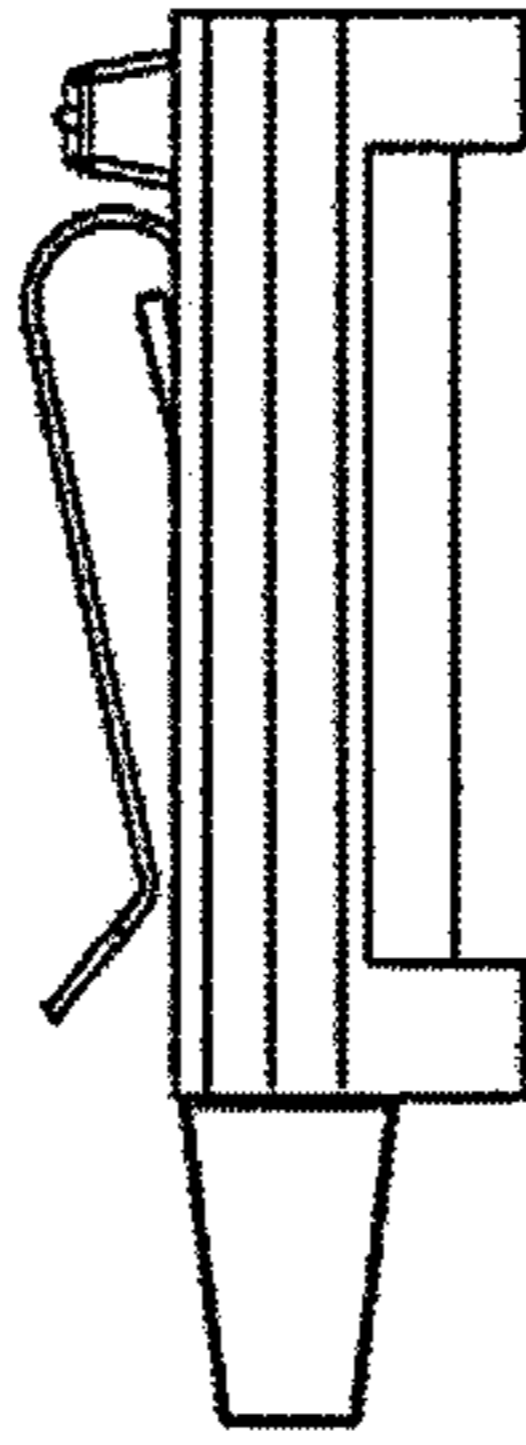


Fig.3

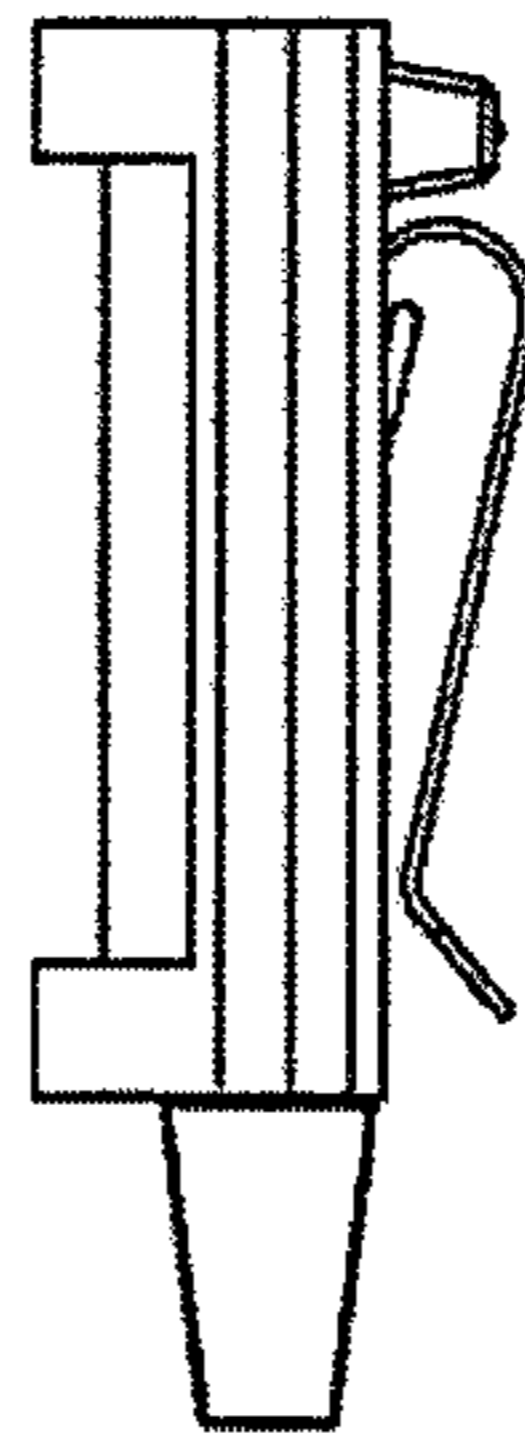


Fig.4

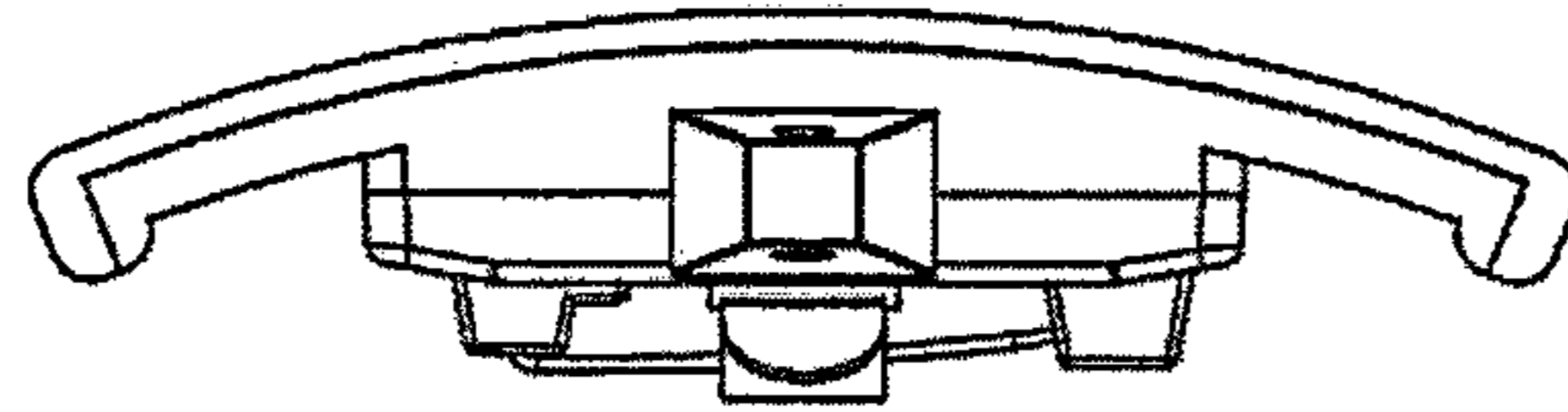


Fig.5

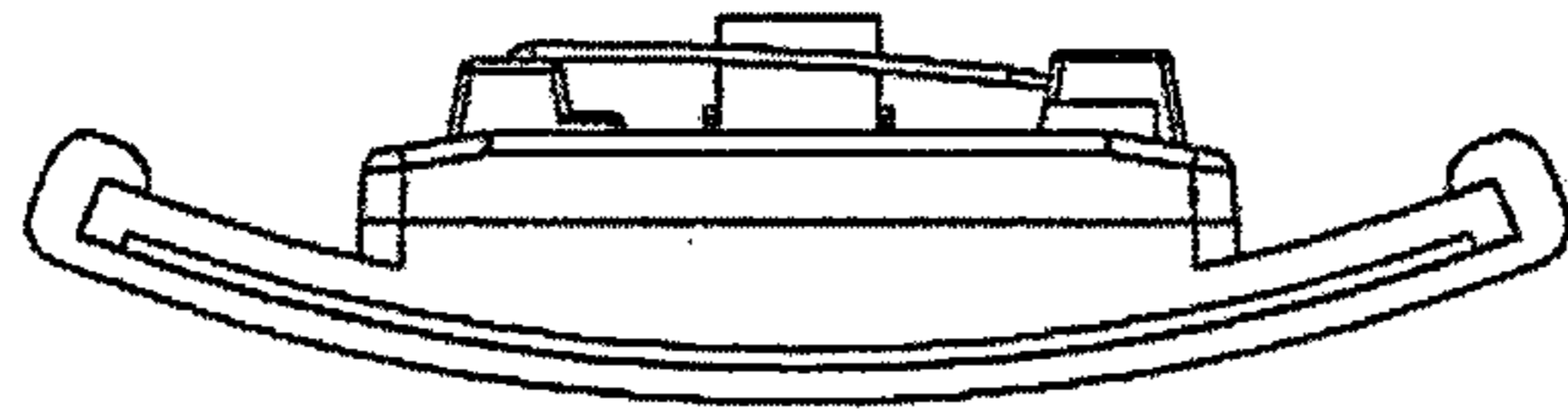


Fig.6

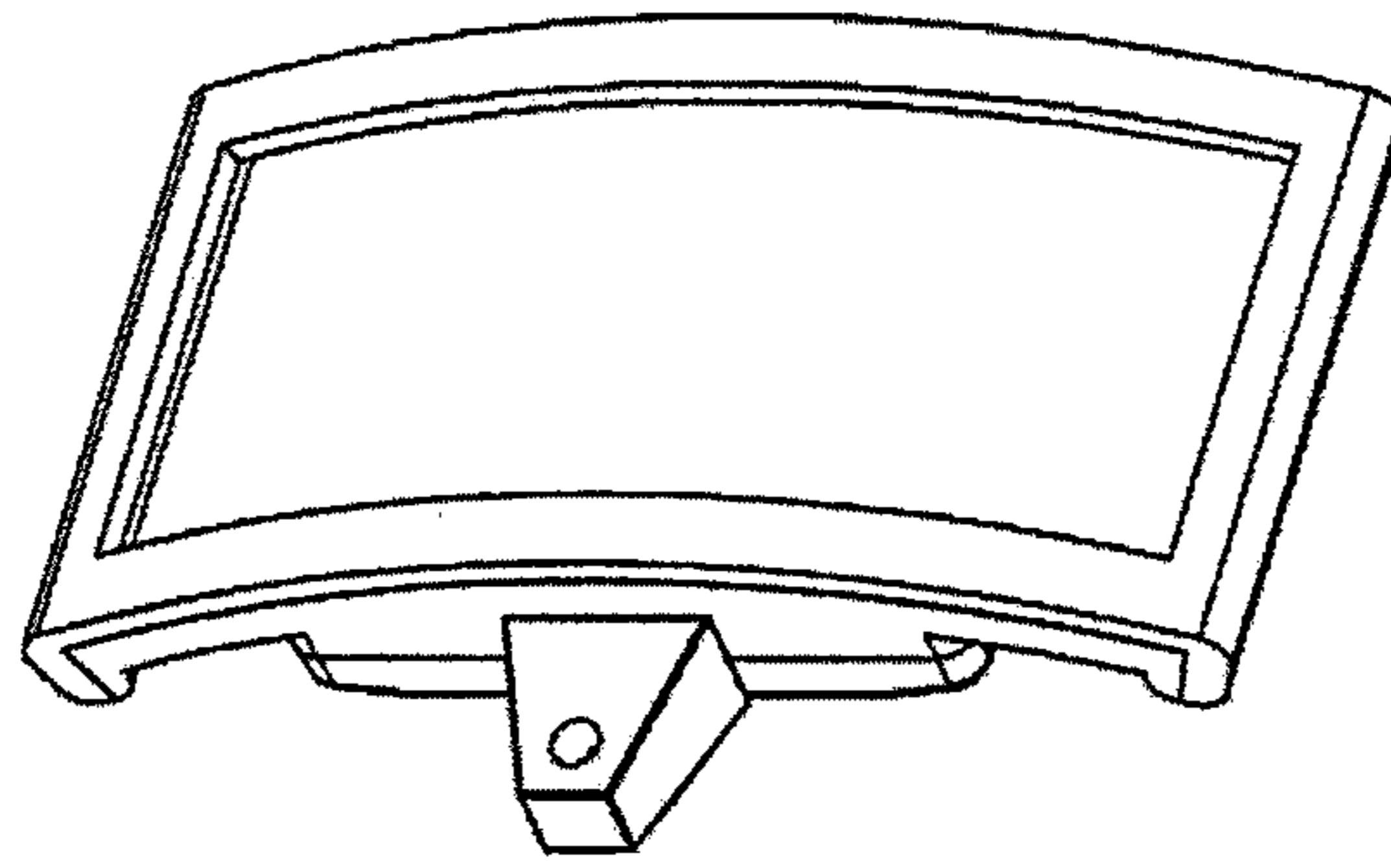


Fig.7

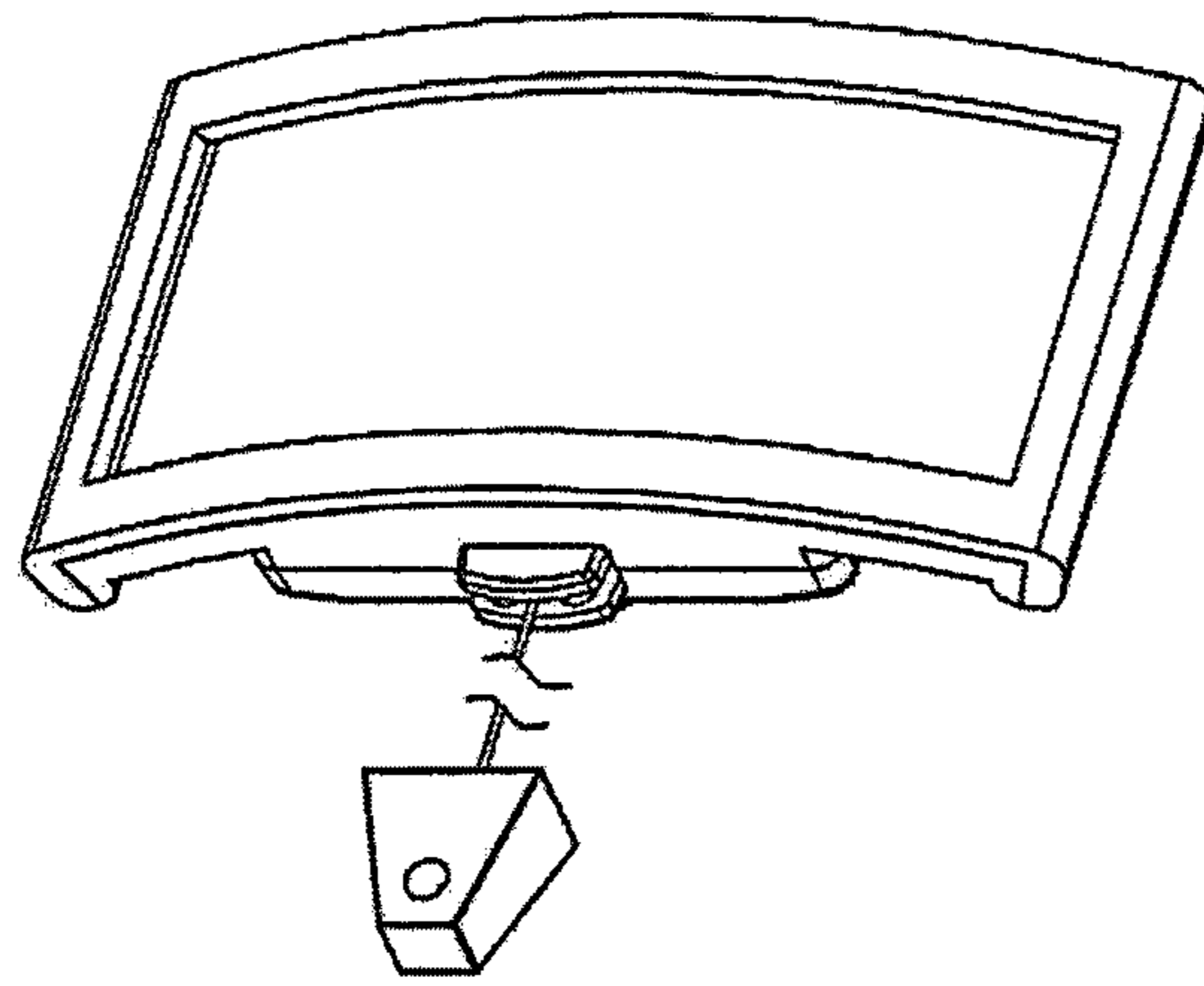


Fig.8