



US00D708672S

(12) **United States Design Patent**
Denby et al.

(10) **Patent No.:** **US D708,672 S**
(45) **Date of Patent:** **** Jul. 8, 2014**

(54) **MOUNT PLATE**
(75) Inventors: **Scott E. Denby**, Minneapolis, MN (US);
Timothy J. Martell, Brooklyn Park, MN (US)
(73) Assignee: **Target Brands, Inc.**, Minneapolis, MN (US)
(**) Term: **14 Years**

D223,689 S * 5/1972 Forbes D28/93
D227,515 S * 6/1973 Mergens et al. D28/93
4,311,260 A 1/1982 Toy
4,545,514 A 10/1985 Toy
4,792,071 A 12/1988 Scarpa et al.
6,336,620 B1 * 1/2002 Belli 248/519
6,345,794 B1 2/2002 Varner
7,237,683 B1 * 7/2007 Hammers 211/13.1
D649,714 S * 11/2011 Key D28/93
2004/0089782 A1 * 5/2004 Eliason et al. 248/346.01
2007/0181515 A1 8/2007 Levi et al.
2012/0006864 A1 1/2012 McCarthy

(21) Appl. No.: **29/429,060**
(22) Filed: **Aug. 7, 2012**
(51) **LOC (10) Cl.** **20-02**
(52) **U.S. Cl.**
USPC **D20/41; D20/43; D6/675.5**
(58) **Field of Classification Search**
CPC A41H 5/00; A45D 44/14; A47F 8/00;
A47F 8/02; A47F 7/19; F16M 11/10; F16M
13/02; G09F 7/18; G09F 207/1804
USPC D20/10, 19, 29-33, 41, 43, 99; 223/66,
223/75, 84, 85, 120; D6/672, 675, 675.5,
D6/682; D28/93; 40/607.01, 607;
211/13.1; 248/121, 127, 157, 158,
248/176.1, 188, 188.1, 346.01
See application file for complete search history.

OTHER PUBLICATIONS

Office Action from Canadian Patent Application No. 148,468, mailed Jul. 15, 2013 (4 pages).

(Continued)

Primary Examiner — Mary Ann Calabrese
(74) *Attorney, Agent, or Firm* — Leanne Taveggia Farrell;
Westman, Champlin & Koehler, P.A.

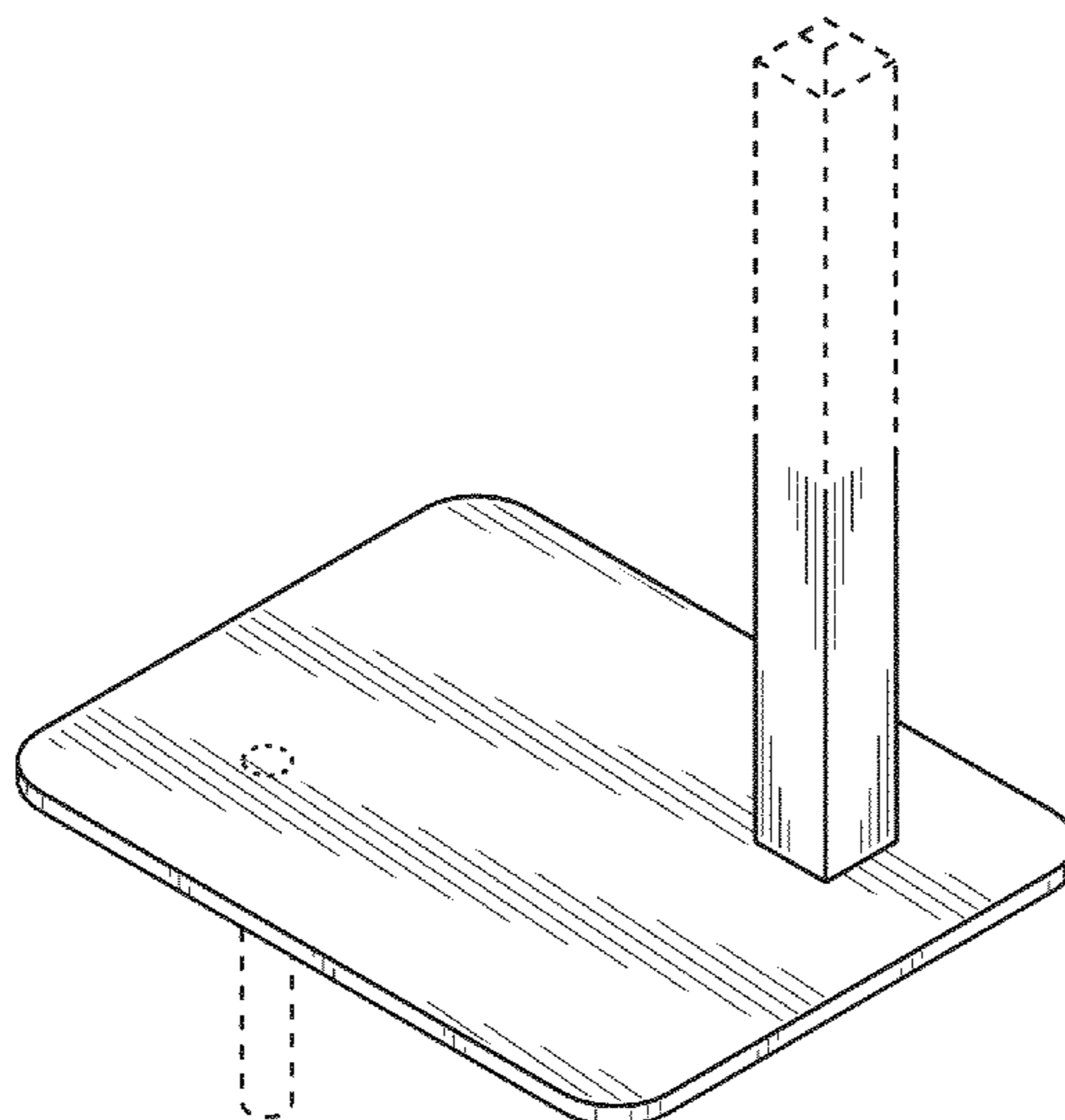
(56) **References Cited**
U.S. PATENT DOCUMENTS
2,341,424 A 2/1944 Chason
2,656,957 A 10/1953 Bloch
2,895,696 A * 7/1959 Mergenthaler 248/158
3,084,837 A 4/1963 Wolf
3,237,822 A 3/1966 Yerger
3,281,029 A 10/1966 Bloch
3,294,295 A 12/1966 Wolf
3,319,846 A 5/1967 Wolf
3,524,554 A 8/1970 Ruhnke
3,591,118 A * 7/1971 Gentile et al. 248/231.71

(57) **CLAIM**
The ornamental design for a mount plate, as shown and described.

DESCRIPTION

FIG. 1 is a perspective view of a mount plate;
FIG. 2 is a perspective view of the mount plate with a portion of unclaimed environment removed;
FIG. 3 is a top view thereof;
FIG. 4 is a bottom view thereof;
FIG. 5 is a front view thereof, the back view being a mirror image; and,
FIG. 6 is a side view thereof, the opposite side being a mirror image.
The broken lines are included for purposes of illustration and form no part of the claimed design.

1 Claim, 3 Drawing Sheets



(56)

References Cited

OTHER PUBLICATIONS

Alibaba, "Plastic Mannequin Legs," http://www.alibaba.com/product-gs/479207854/plastic_mannequin_legs.html, 1 page, at least as early as Mar. 2, 2012.

Alibaba, "Mannequins Leg," http://cnnuodian.en.alibaba.com/product/478540243-212710696/Mannequins_Leg.html, 2 pages, at least as early as Mar. 2, 2012.

Display Importer, "Full Size Male Mannequin in Golfing Position," <http://www.displayimporter.com/products/MN-083.html>, 1 page, at least as early as Mar. 2, 2012.

Store Fixture Shop, "Female Leg Back Running Sports Mannequins," <http://www.storefixtreshop.com/female-leg-back-running->

[sports-mannequins-p/golf-h.htm](http://www.storefixtreshop.com/sports-mannequins-p/golf-h.htm), 1 page, at least as early as Mar. 2, 2012.

Store Fixtures USA, "Headless Male Mannequin #1," <http://www.buystorefixtures.com/pages/store/skudetail.nhtml?profile=headlessmannequins&uid=10489&returnURL=http%3A//www.buystorefixtures.com/headlessmannequins>, 1 page, at least as early as Mar. 2, 2012.

Valentino's Displays, "White Matt Female Mannequin," <http://www.valentinosdisplays.com/White-Matt-Female-Mannequin---Arms-Behind-Back,-Right-Bent-Leg--p-704.html>, 1 page, at least as early as Mar. 2, 2012.

Valentino's Displays, "White Matt Female Mannequin," <http://www.valentinosdisplays.com/White-Matt-Female-Mannequin---Arms-Behind-Back,-Right-Bent-Leg--p-704.html>, 1 page, at least as early as Mar. 2, 2012.

* cited by examiner

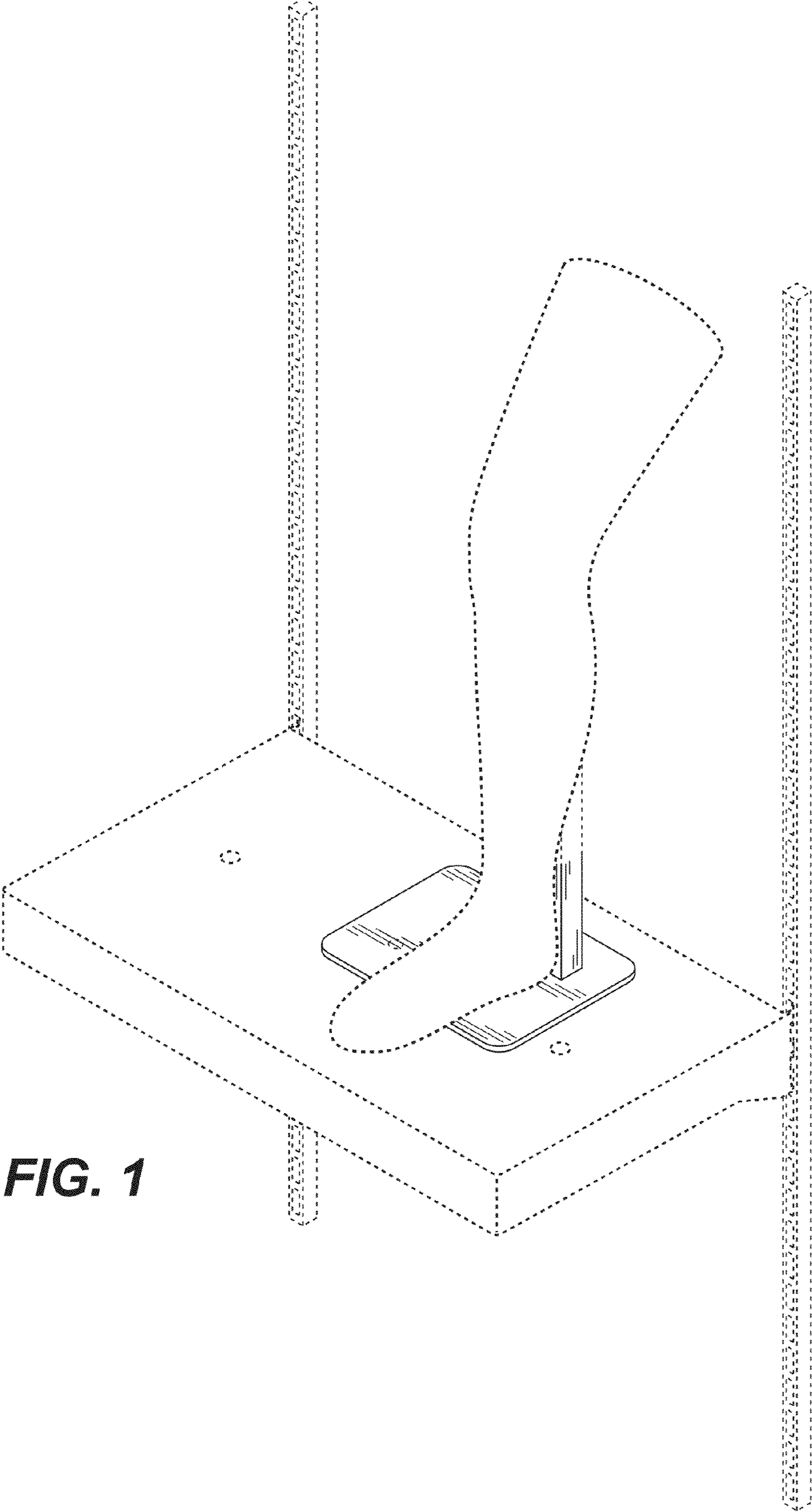


FIG. 1

FIG. 2

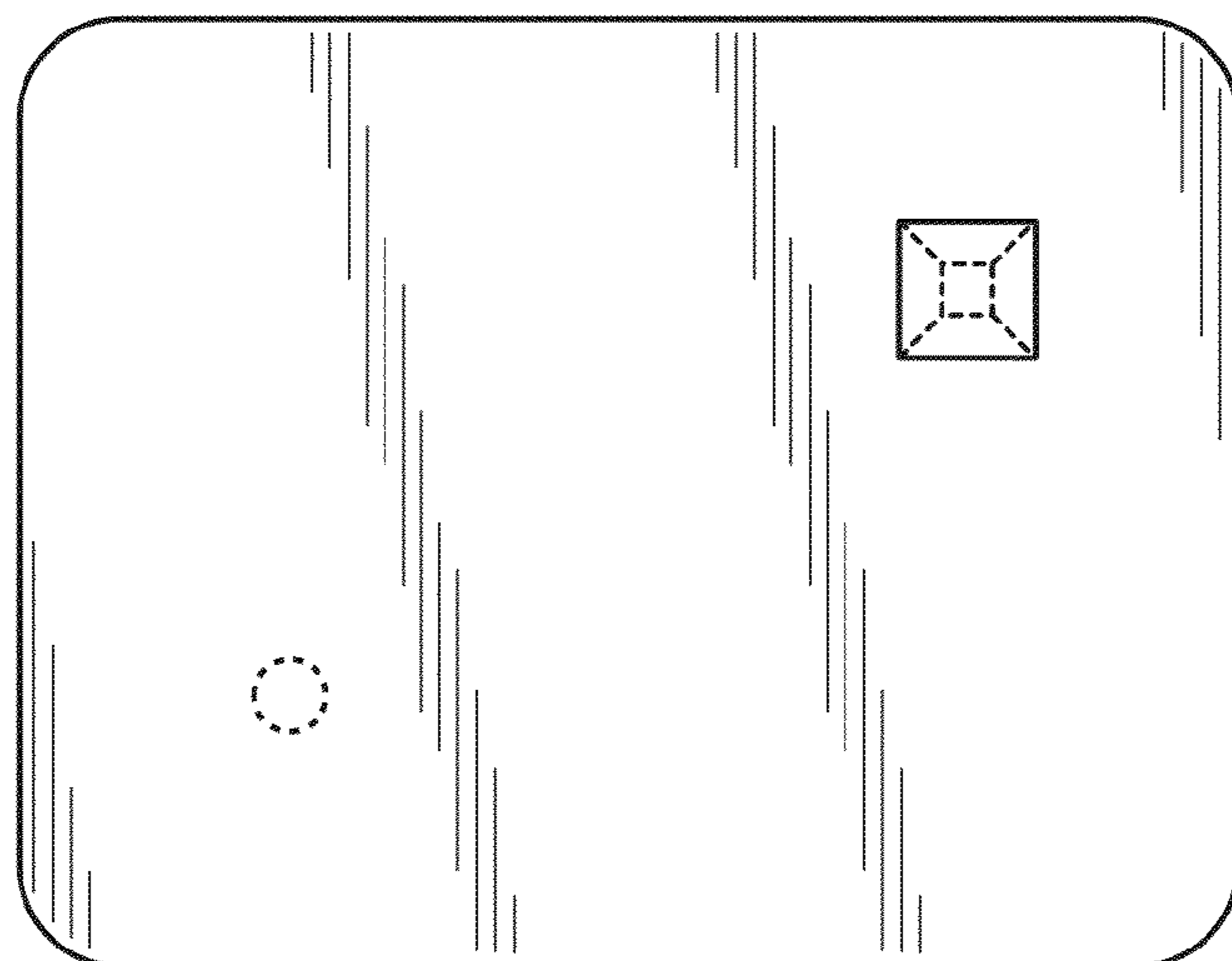
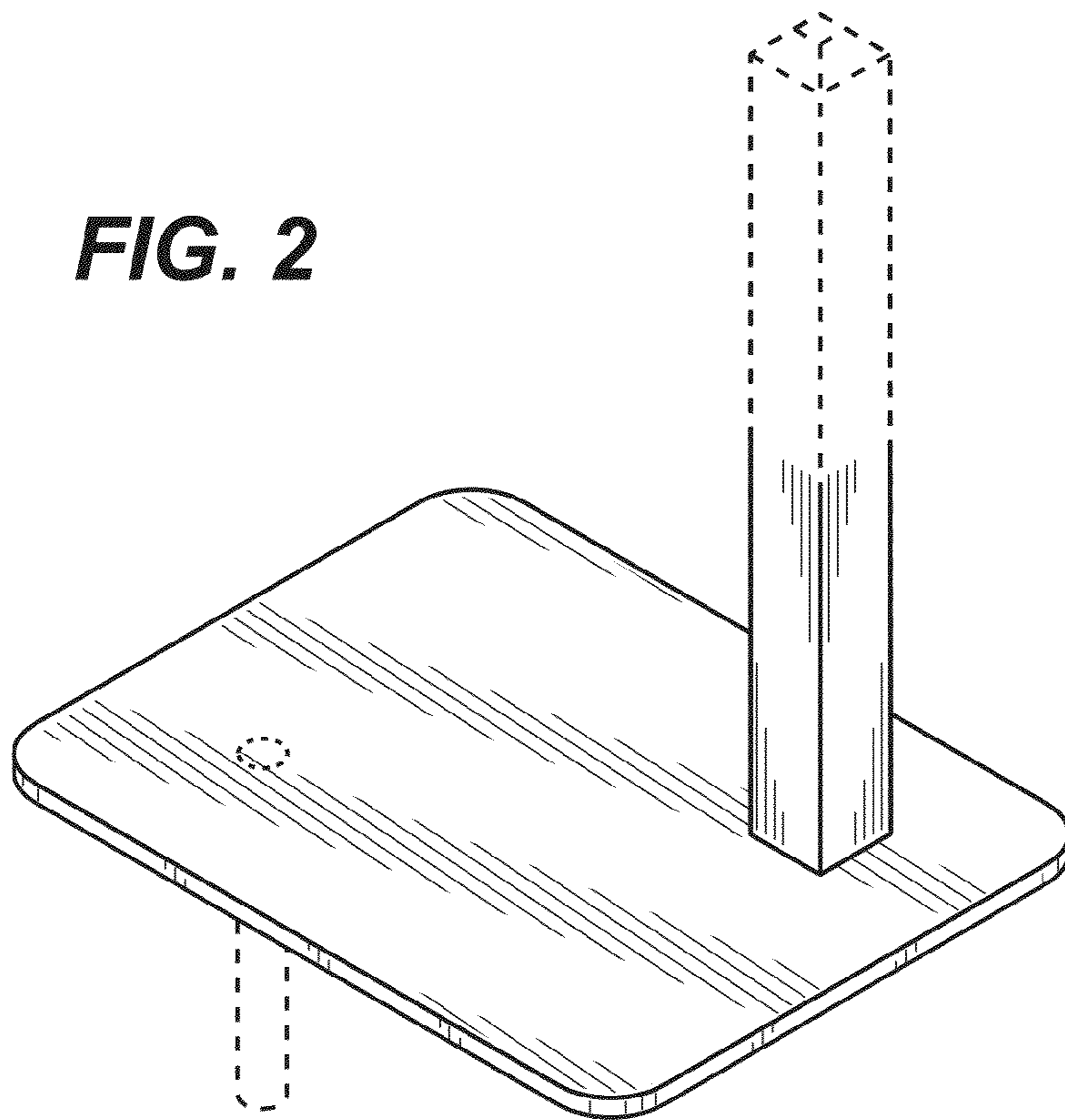


FIG. 3

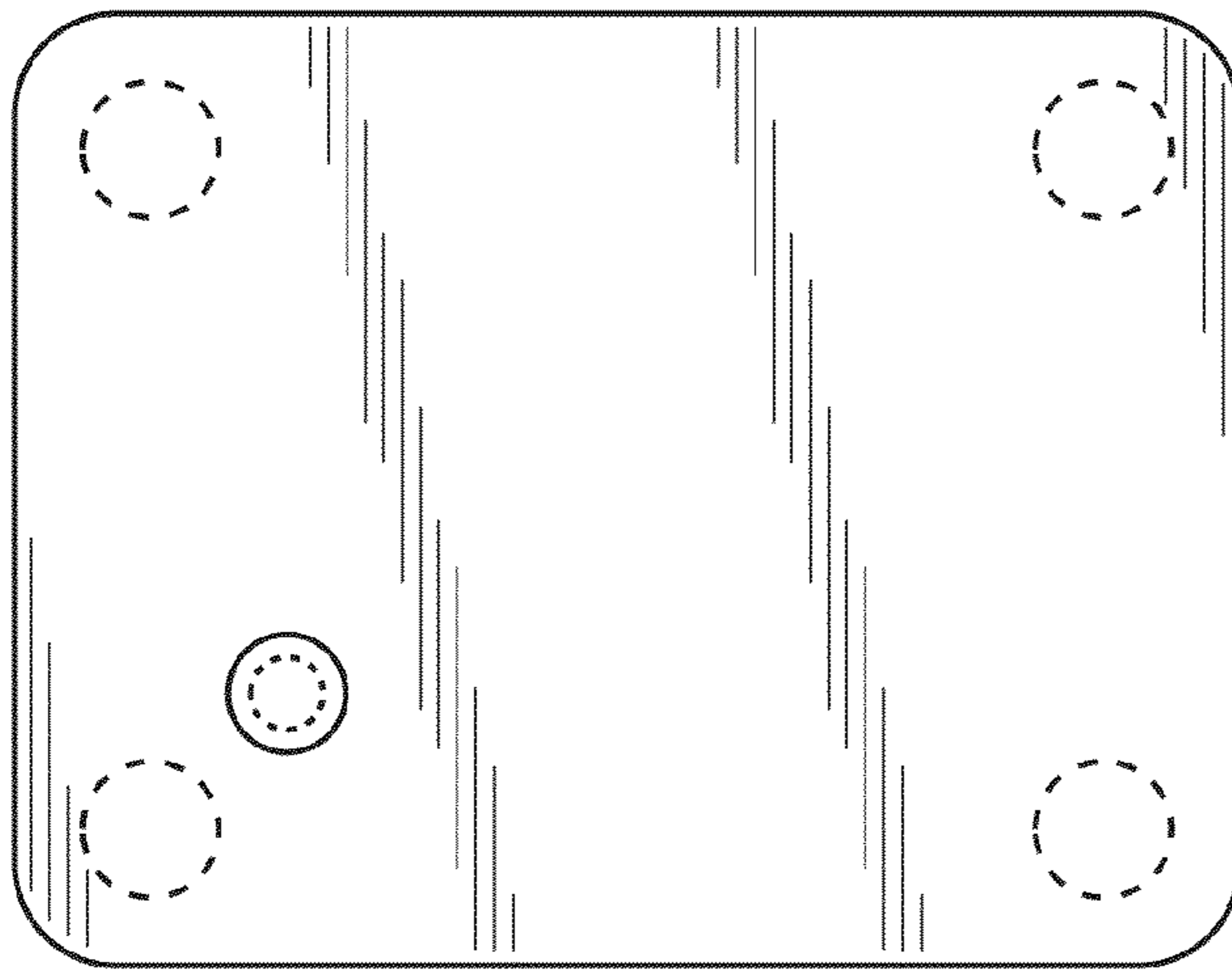


FIG. 4

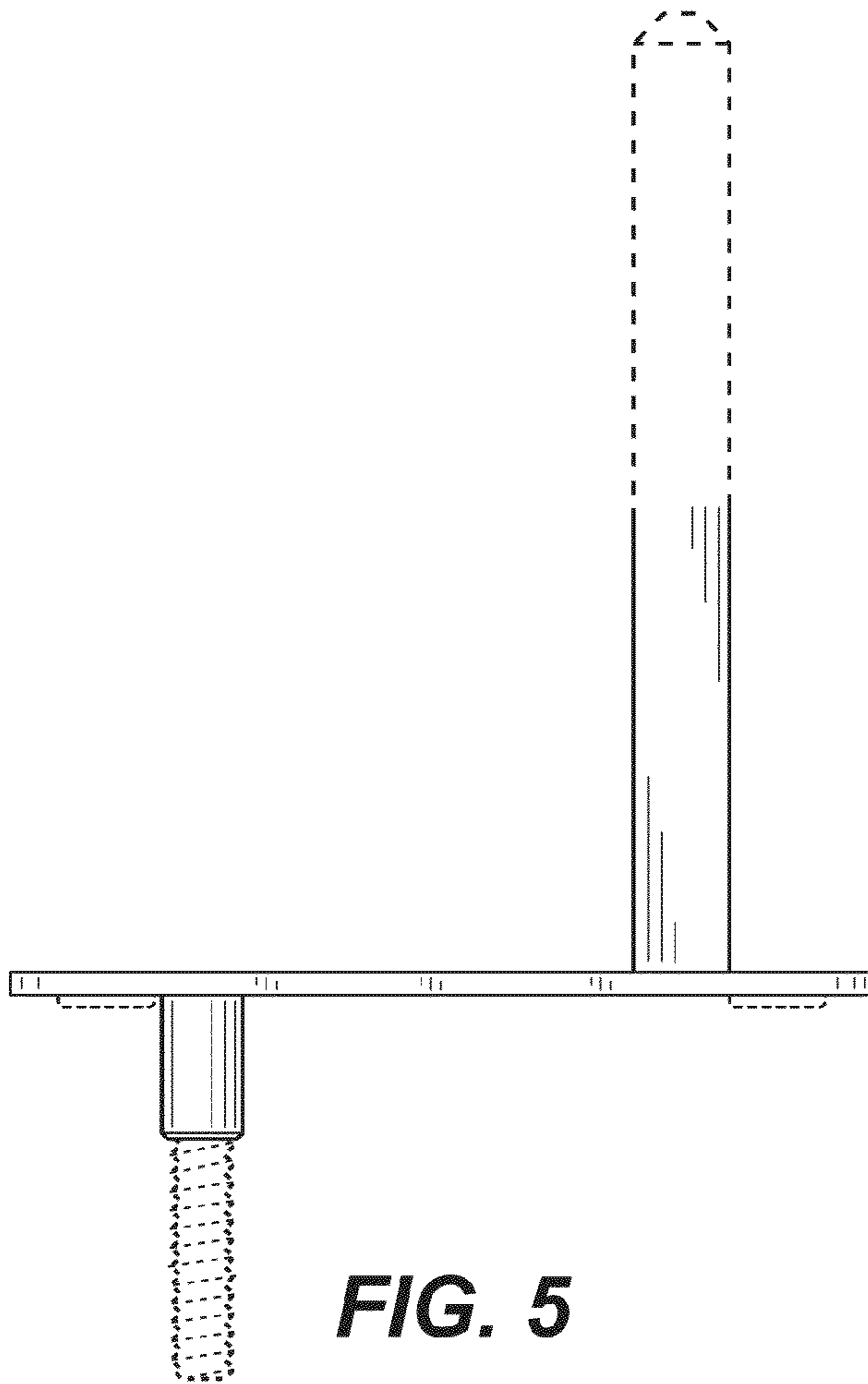


FIG. 5

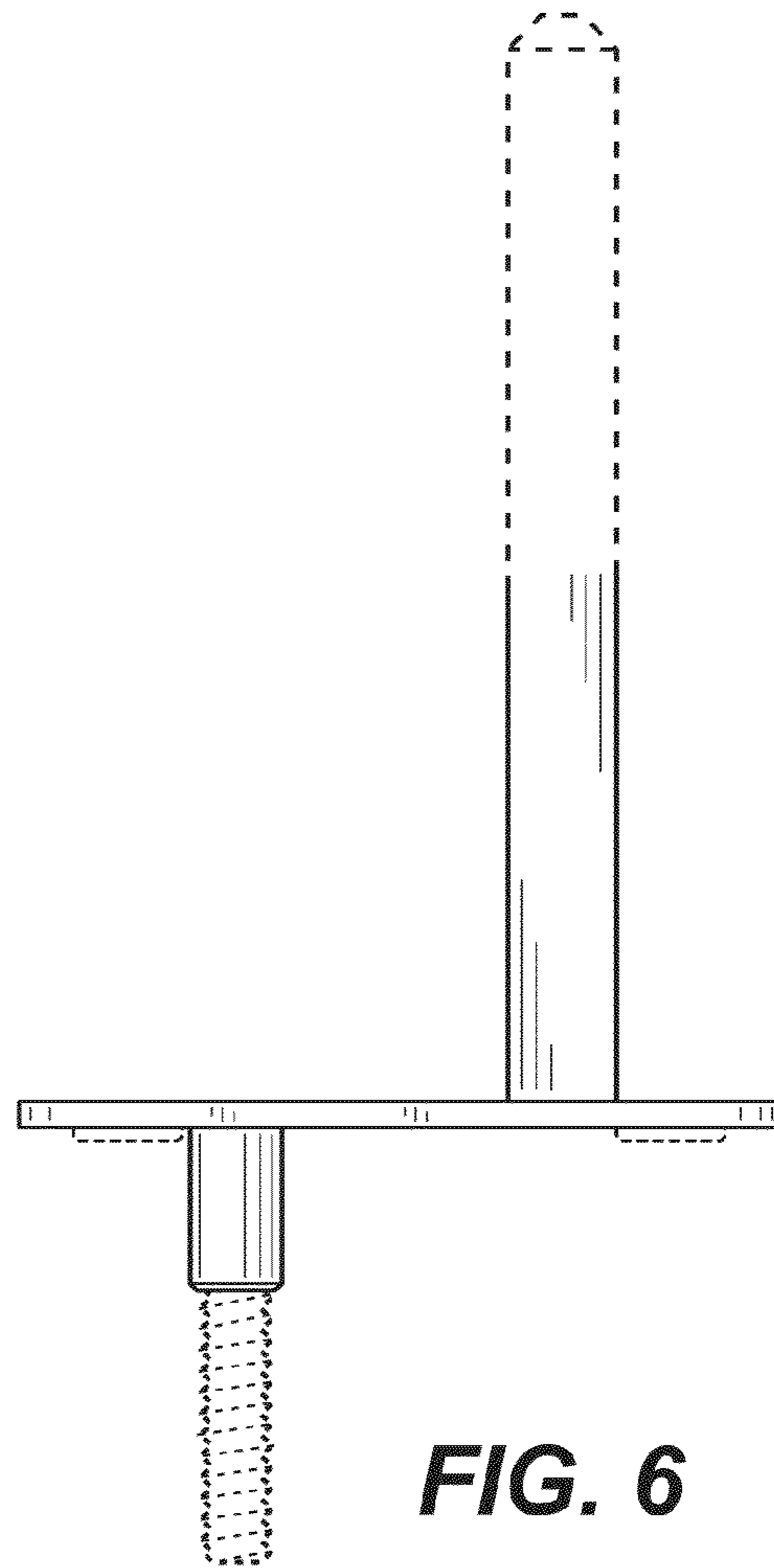


FIG. 6