



US00D708670S

(12) **United States Design Patent**  
**Zhang**

(10) **Patent No.:** **US D708,670 S**  
(45) **Date of Patent:** **\*\* Jul. 8, 2014**

(54) **PEN**  
(75) Inventor: **Youbin Zhang**, Ningbo (CN)  
(73) Assignee: **Beifa Group Co., Ltd.**, Ningbo (CN)  
(\*\*) Term: **14 Years**  
(21) Appl. No.: **29/426,678**  
(22) Filed: **Jul. 9, 2012**

(30) **Foreign Application Priority Data**  
Jan. 11, 2012 (CN) ..... 2012 3 0006696  
(51) **LOC (10) Cl.** ..... **19-06**  
(52) **U.S. Cl.**  
USPC ..... **D19/172; D19/916; D19/917**  
(58) **Field of Classification Search**  
USPC ..... D14/411; D19/35, 36, 41-51, 53-58;  
24/11 F, 11 R, 11 P; 402/52, 99-109,  
402/192, 195, 196  
See application file for complete search history.

(56) **References Cited**  
U.S. PATENT DOCUMENTS  
D179,795 S \* 3/1957 Aversa ..... D19/49  
D213,341 S \* 2/1969 Fields ..... D19/49  
D215,626 S \* 10/1969 Jonkers ..... D19/49  
D260,021 S \* 7/1981 Carre ..... D19/49  
D332,627 S \* 1/1993 Anavil et al. .... D19/49  
D332,963 S \* 2/1993 Anavil  
D404,428 S \* 1/1999 Takahashi ..... D19/49  
D406,166 S \* 2/1999 Grannis ..... D19/45  
D463,823 S \* 10/2002 Yoon ..... D19/48

D554,182 S \* 10/2007 Cetera ..... D19/51  
D595,772 S \* 7/2009 Zhang ..... D19/49  
D598,954 S \* 8/2009 Wang et al. .... D19/49  
D603,899 S 11/2009 Suero, Jr.  
D610,616 S 2/2010 Li  
D628,641 S 12/2010 Zhang  
D629,461 S 12/2010 Shibata  
D641,408 S 7/2011 Zhang  
D651,241 S 12/2011 Liang  
D662,984 S 7/2012 Yan  
D664,197 S 7/2012 Casciotti

\* cited by examiner

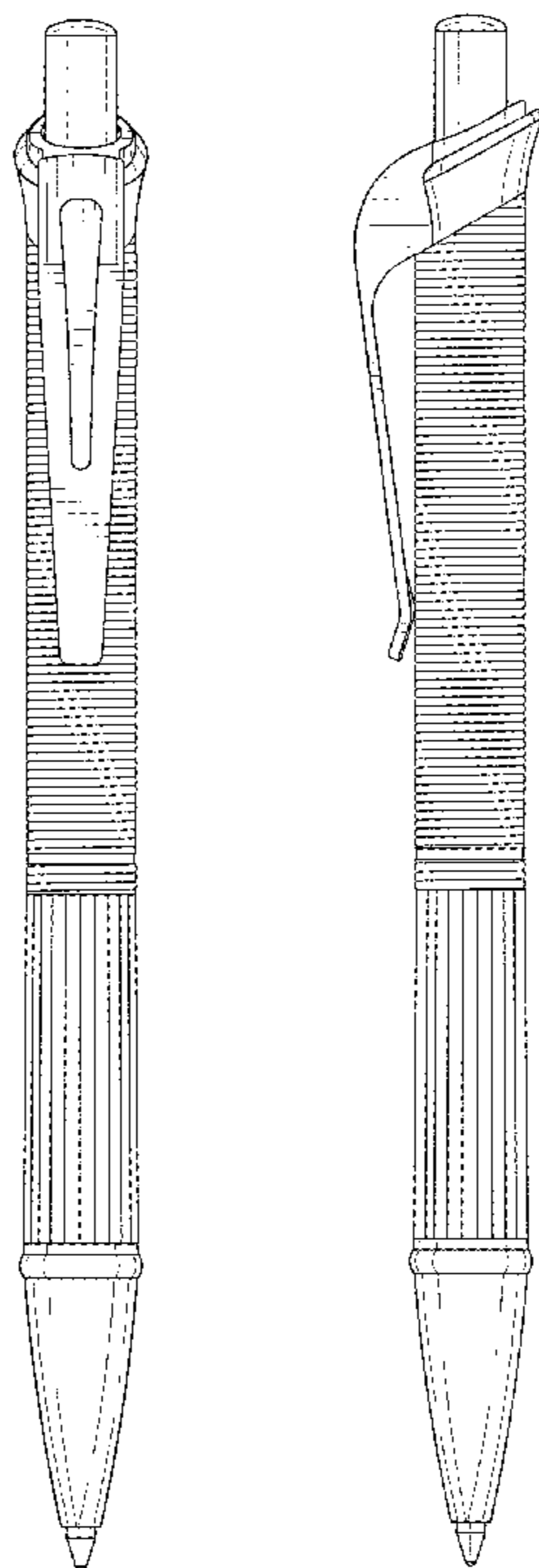
*Primary Examiner* — Elizabeth Albert  
(74) *Attorney, Agent, or Firm* — Christensen O'Connor Johnson Kindness PLLC

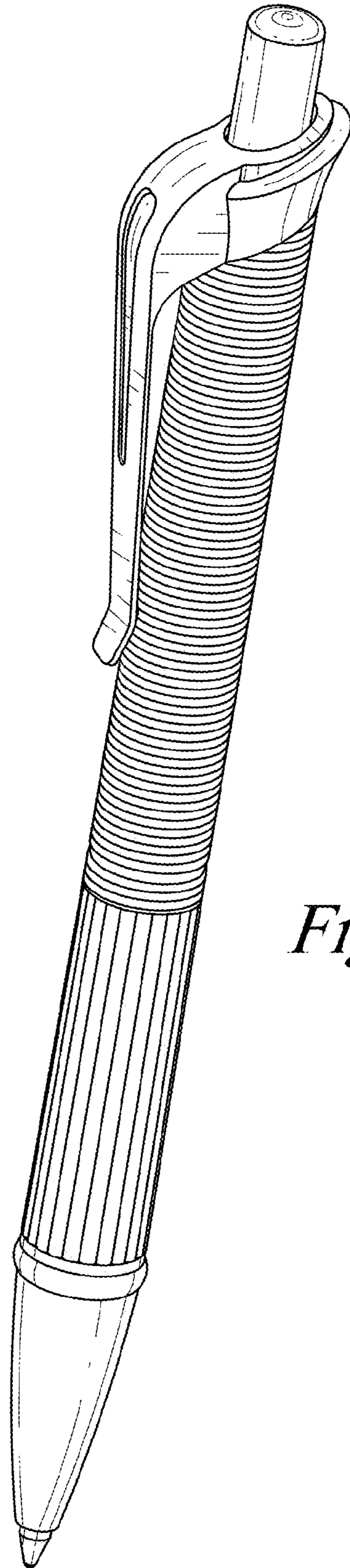
(57) **CLAIM**  
The ornamental design for a pen, as shown and described.

**DESCRIPTION**

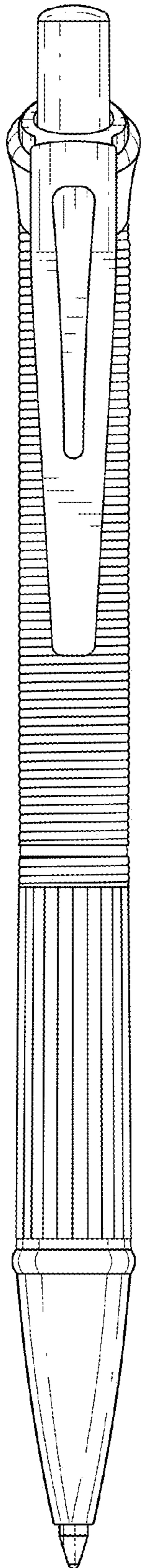
FIG. 1 is an upper front right perspective view of a pen showing my new design;  
FIG. 2 is a front elevation view thereof;  
FIG. 3 is a rear elevation view thereof;  
FIG. 4 is a right side elevation view thereof, with the left side elevation view being a mirror image of the right side elevation view;  
FIG. 5 is an enlarged top plan view thereof; and,  
FIG. 6 is an enlarged bottom plan view thereof.  
The broken lines shown in FIG. 6 illustrate environmental subject matter and form no part of the claimed design.

**1 Claim, 3 Drawing Sheets**

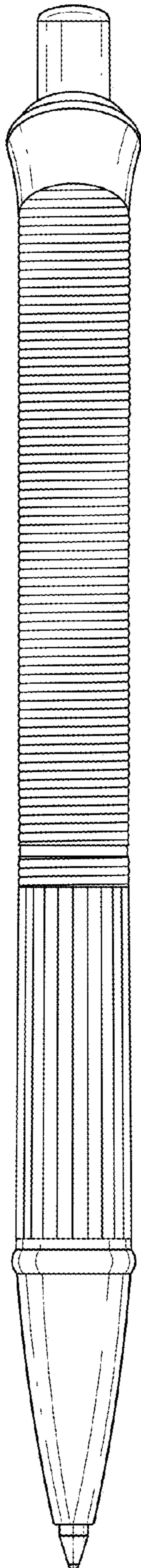




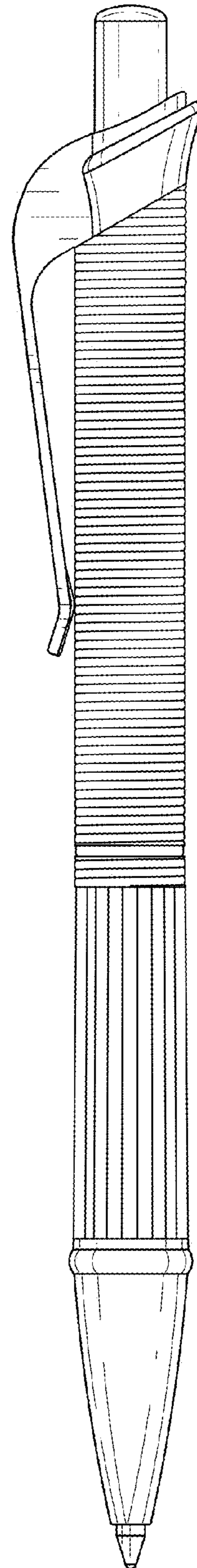
*Fig. 1.*



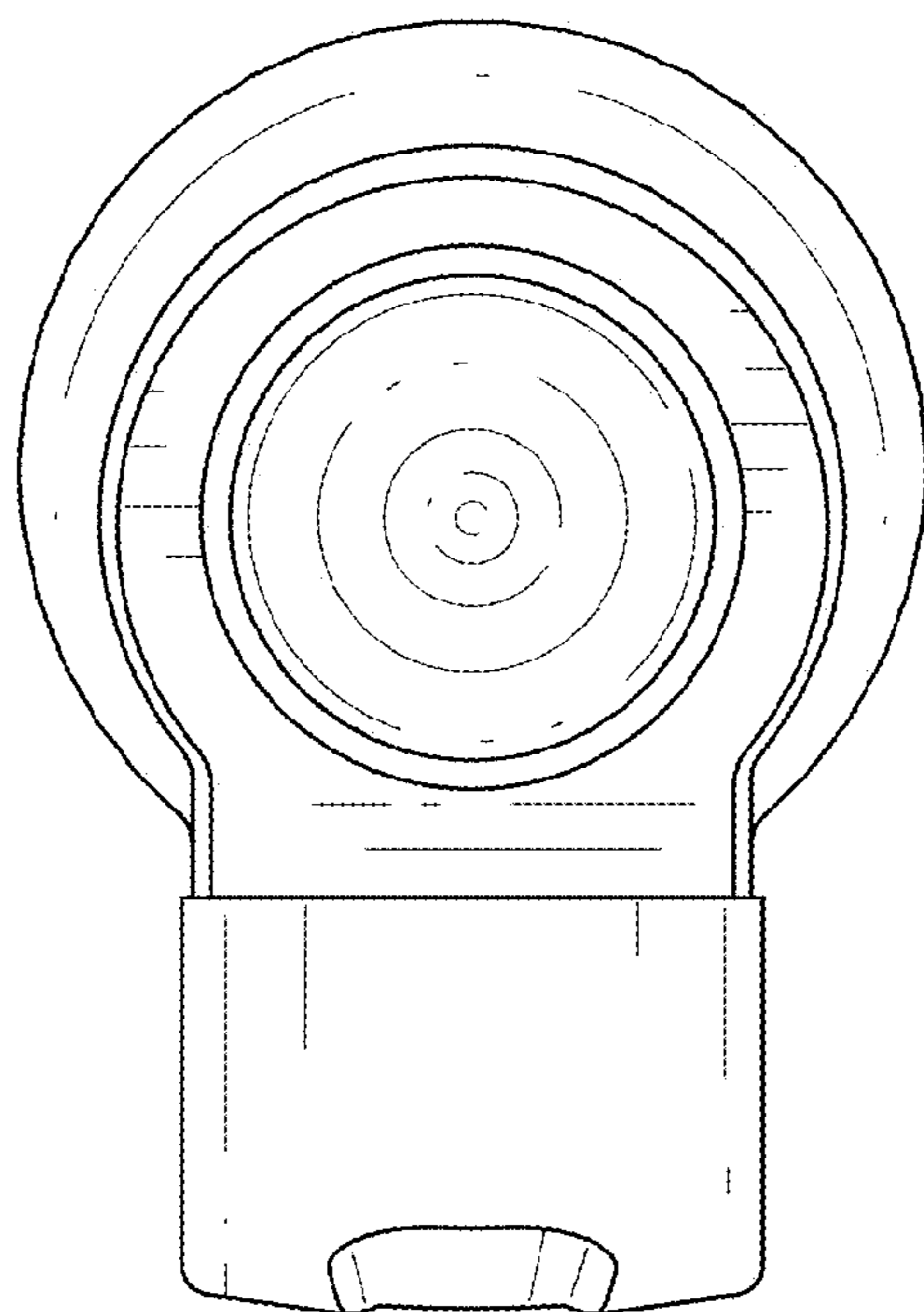
*Fig. 2.*



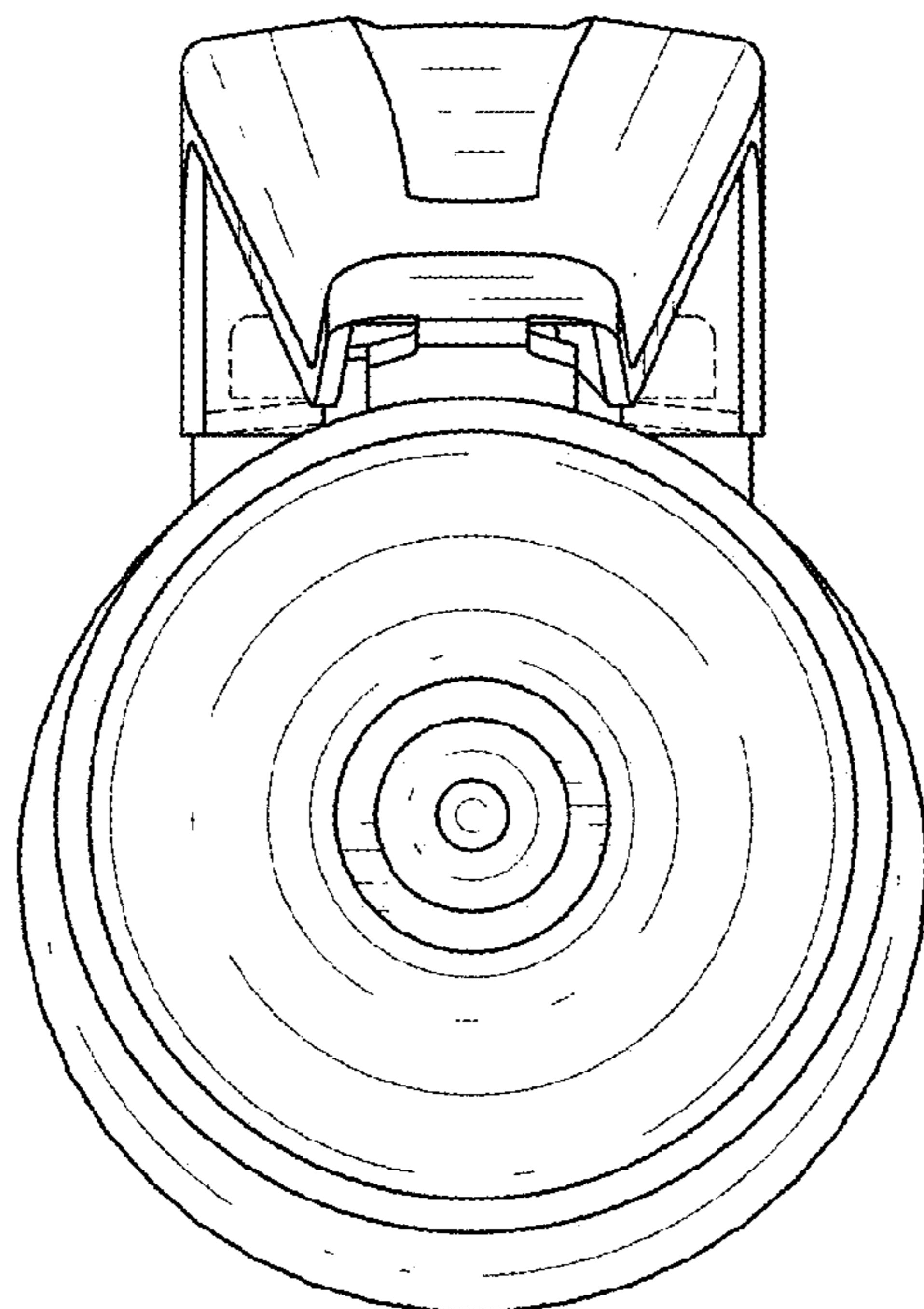
*Fig. 3.*



*Fig. 4.*



*Fig. 5.*



*Fig. 6.*