



US00D708669S

(12) **United States Design Patent**
Sharma

(10) **Patent No.:** **US D708,669 S**
(45) **Date of Patent:** **** Jul. 8, 2014**

- (54) **COACHING BOARD**
 - (71) Applicant: **Rohan Sharma**, Lexington, MA (US)
 - (72) Inventor: **Rohan Sharma**, Lexington, MA (US)
 - (**) Term: **14 Years**
 - (21) Appl. No.: **29/476,715**
 - (22) Filed: **Dec. 16, 2013**
 - (51) **LOC (10) Cl.** **19-06**
 - (52) **U.S. Cl.**
USPC **D19/113**
 - (58) **Field of Classification Search**
USPC D6/300–314, 700; D19/88, 90, 91, 113;
D20/10, 27, 39, 40, 42; 40/538, 584,
40/607.01, 611.01; 248/441.1, 444.1;
312/230; 434/408, 410, 415, 416;
D3/284, 304, 310–314, 901, 903;
D9/418, 420, 432
- See application file for complete search history.

(56) **References Cited**

U.S. PATENT DOCUMENTS

| | | | | |
|---------------|---------|----------------|-------|-----------|
| D169,577 S * | 5/1953 | Burtchaell | | D3/313 |
| 3,685,170 A * | 8/1972 | Fairleigh | | 434/248 |
| 3,703,291 A * | 11/1972 | Lutz | | 273/317.3 |
| 3,785,254 A * | 1/1974 | Mann | | 493/148 |
| D235,785 S * | 7/1975 | Collister | | D24/226 |
| D263,561 S * | 3/1982 | Wong | | D3/295 |
| D292,249 S * | 10/1987 | Stade | | D6/406.3 |
| D308,609 S * | 6/1990 | Handler et al. | | D6/436 |
| D318,419 S * | 7/1991 | Jensen et al. | | D9/737 |
| 5,163,547 A * | 11/1992 | Hsieh | | 206/1.7 |
| D334,308 S * | 3/1993 | Verina | | D3/284 |
| 5,263,866 A * | 11/1993 | Campbell | | 434/416 |
| D375,620 S * | 11/1996 | Chan | | D3/20 |
| 5,807,195 A * | 9/1998 | Westbrook | | 473/447 |
| 5,827,072 A * | 10/1998 | Neufer et al. | | 434/416 |
| D460,984 S * | 7/2002 | McGowan | | D19/90 |
| D461,318 S * | 8/2002 | Ueno | | D6/302 |

| | | | | |
|-------------------|---------|---------------------|-------|---------|
| 6,464,507 B1 * | 10/2002 | Bailey | | 434/247 |
| D484,542 S * | 12/2003 | Hassell | | D19/75 |
| D605,718 S * | 12/2009 | Jenkins | | D21/781 |
| D615,773 S * | 5/2010 | Fojtasek | | D6/467 |
| D639,563 S * | 6/2011 | Chilewich et al. | | D3/313 |
| D696,725 S * | 12/2013 | Sasken-Duff et al. | | D19/91 |
| 2012/0196269 A1 * | 8/2012 | Ureles et al. | | 434/415 |
| 2013/0101979 A1 | 4/2013 | Shanbour, II et al. | | |
| 2013/0106055 A1 | 5/2013 | Knox | | |

* cited by examiner

Primary Examiner — Elizabeth Albert

(74) *Attorney, Agent, or Firm* — Beacon Patent Intelligence;
Eugene H. Nahm

(57) **CLAIM**

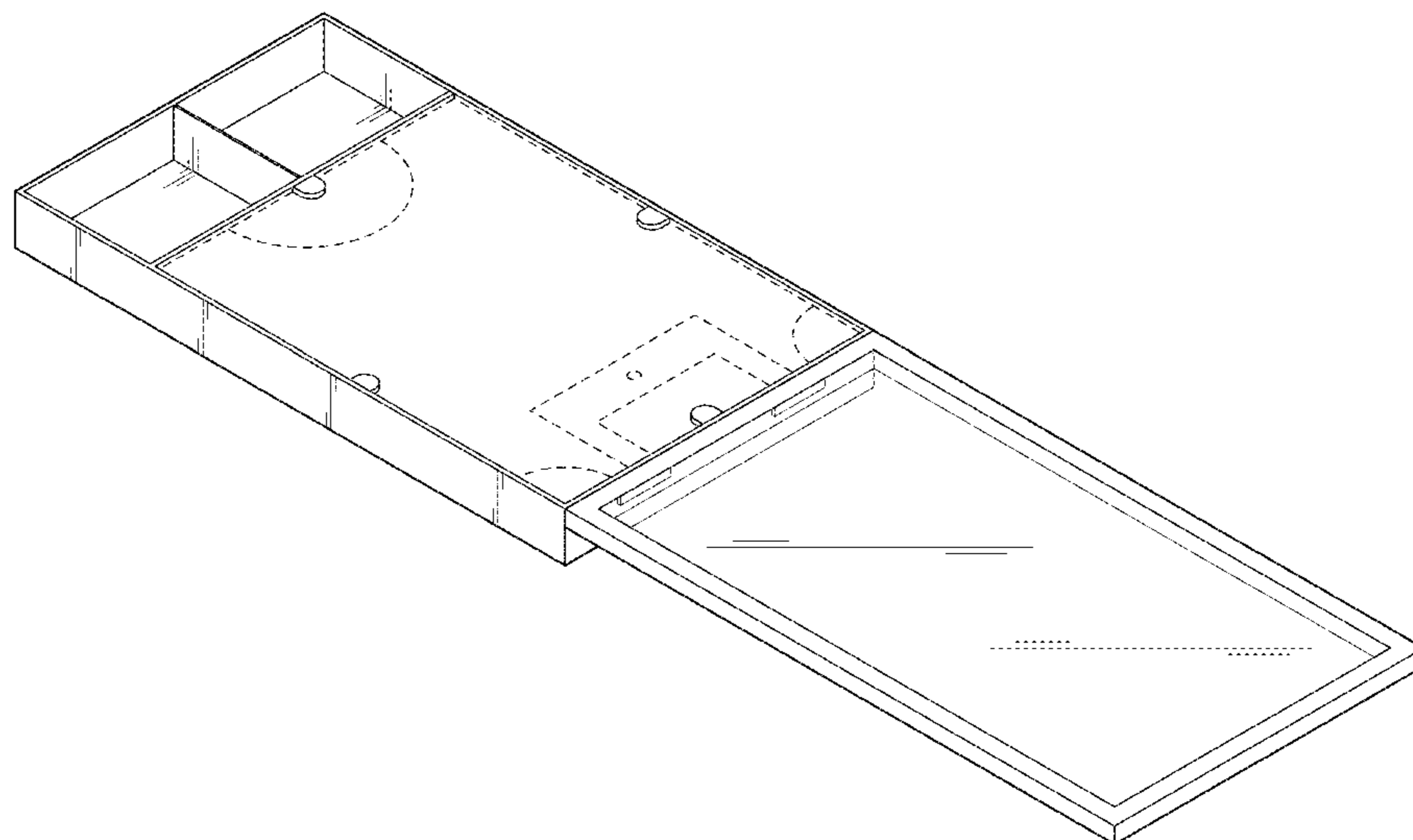
The ornamental design for a coaching board, as shown and described.

DESCRIPTION

FIG. 1 is a top, front and left side perspective view of the coaching board showing my new design;
 FIG. 2 is a top plan view of FIG. 1;
 FIG. 3 is a bottom plan view of FIG. 1;
 FIG. 4 is a right side elevation view of FIG. 1;
 FIG. 5 is a left side elevation view of FIG. 1;
 FIG. 6 is a front elevation view of FIG. 1;
 FIG. 7 is a rear elevation view of FIG. 1;
 FIG. 8 is a top, front and left side perspective view of FIG. 1 in an open position;
 FIG. 9 is a top plan view of FIG. 8;
 FIG. 10 is a bottom plan view of FIG. 8;
 FIG. 11 is a right side elevation view of FIG. 8;
 FIG. 12 is a left side elevation view of FIG. 8;
 FIG. 13 is a front elevation view of FIG. 8; and,
 FIG. 14 is a rear elevation view of FIG. 8.

The broken lines in FIGS. 1, 2, 8 and 9 are included to show features on the coaching board that form no part of the claimed design.

1 Claim, 7 Drawing Sheets



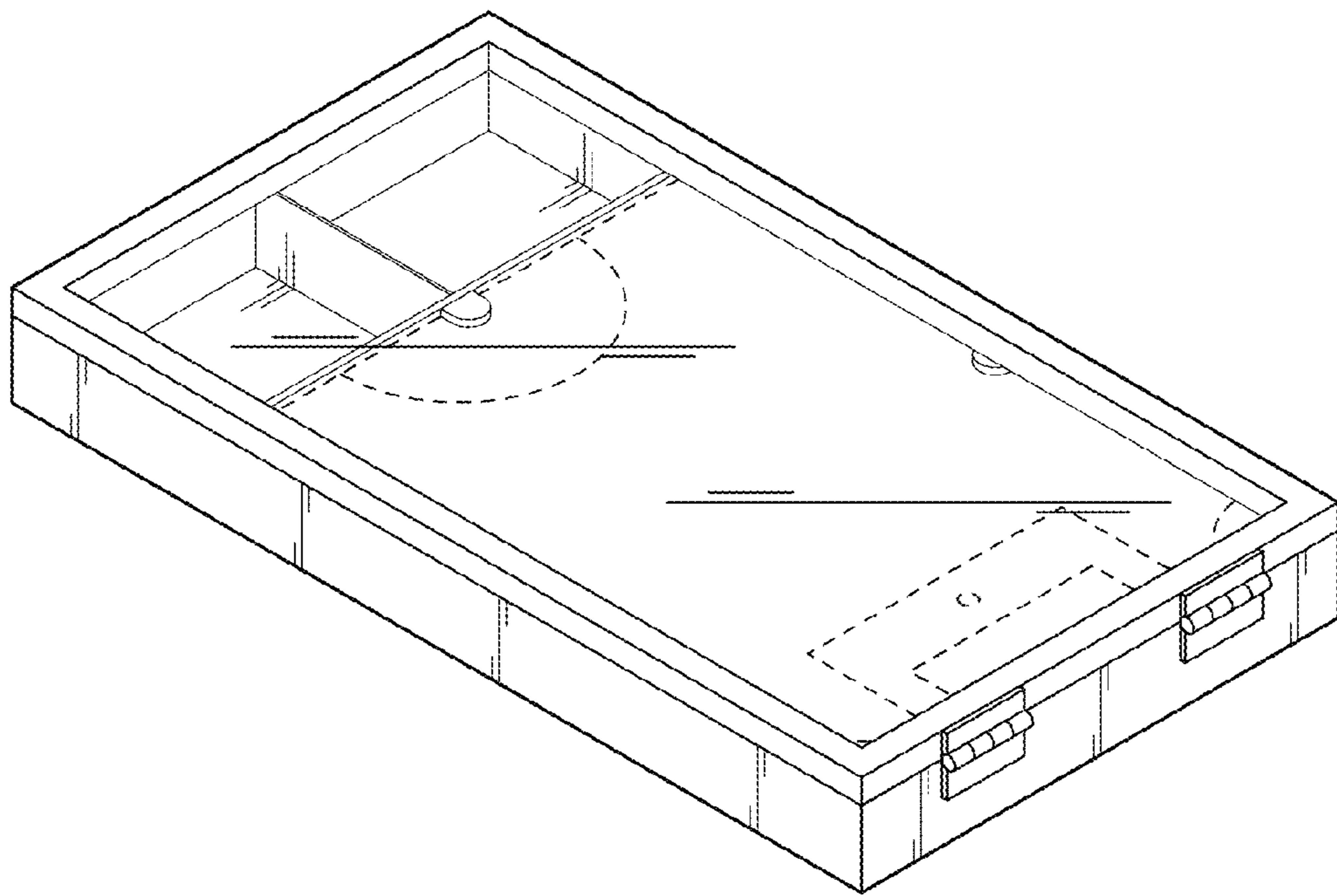


FIG. 1

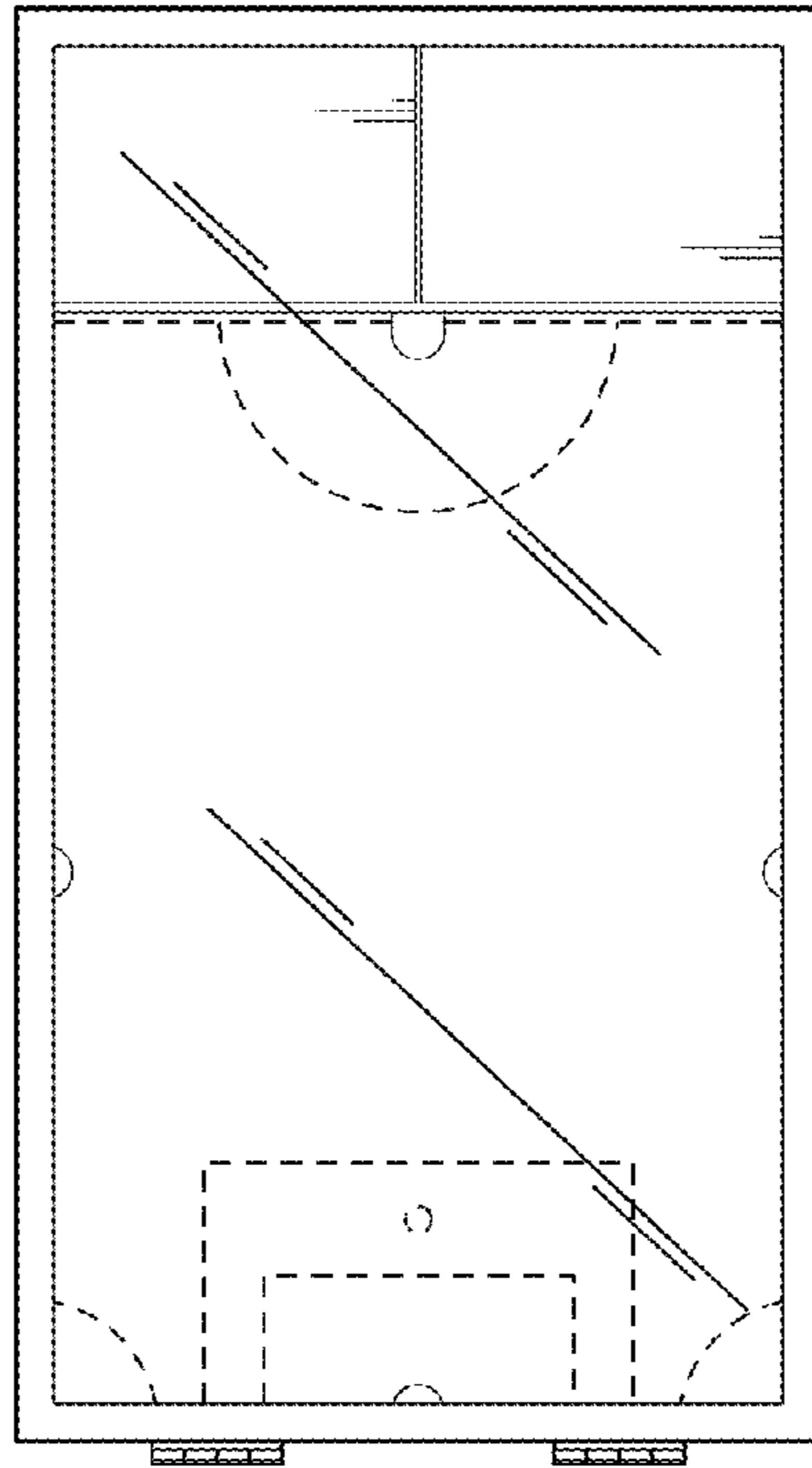


FIG. 2

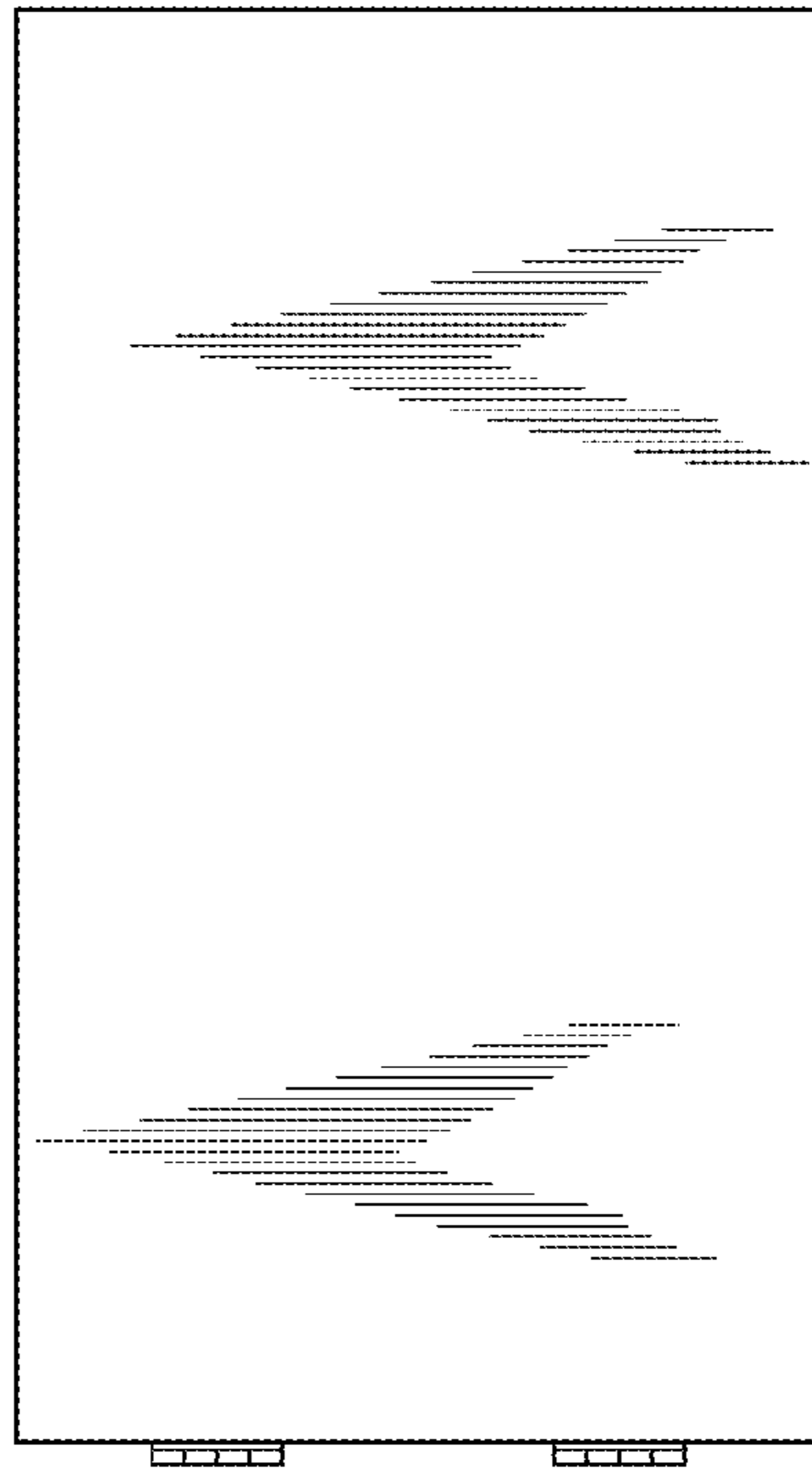


FIG. 3

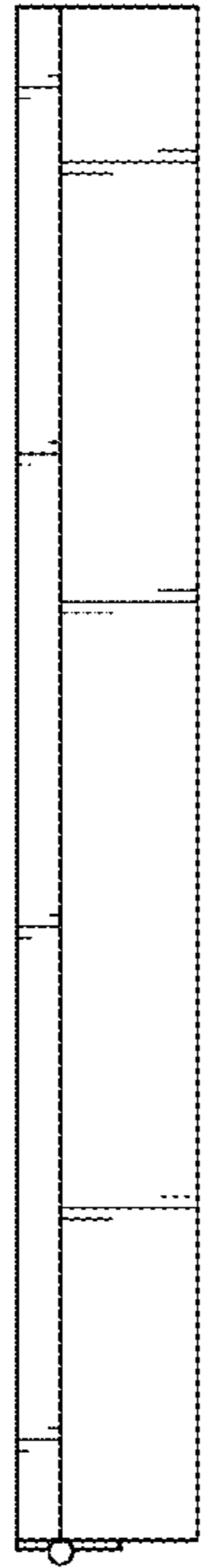


FIG. 4



FIG. 5



FIG. 6



FIG. 7

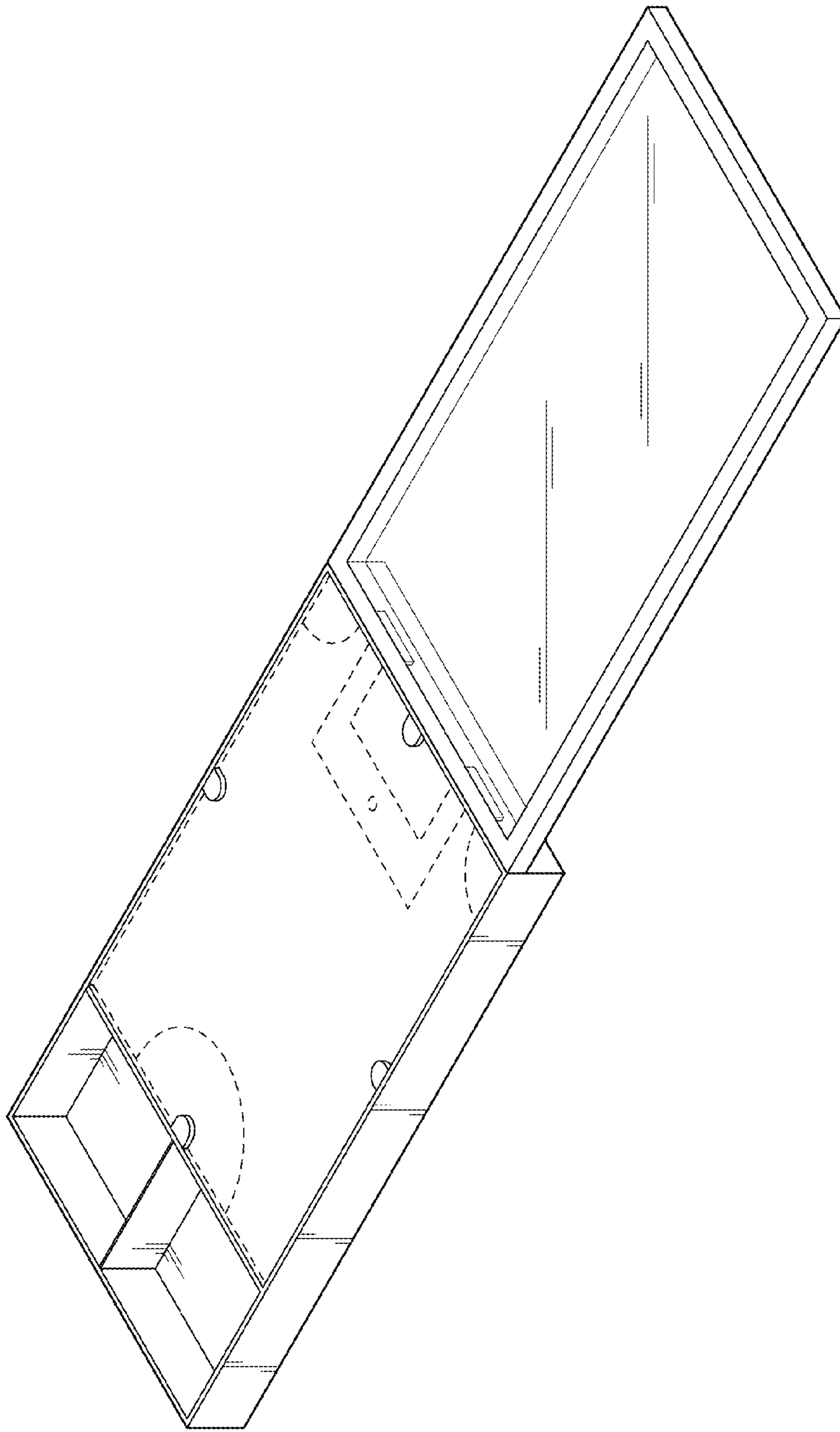


FIG. 8

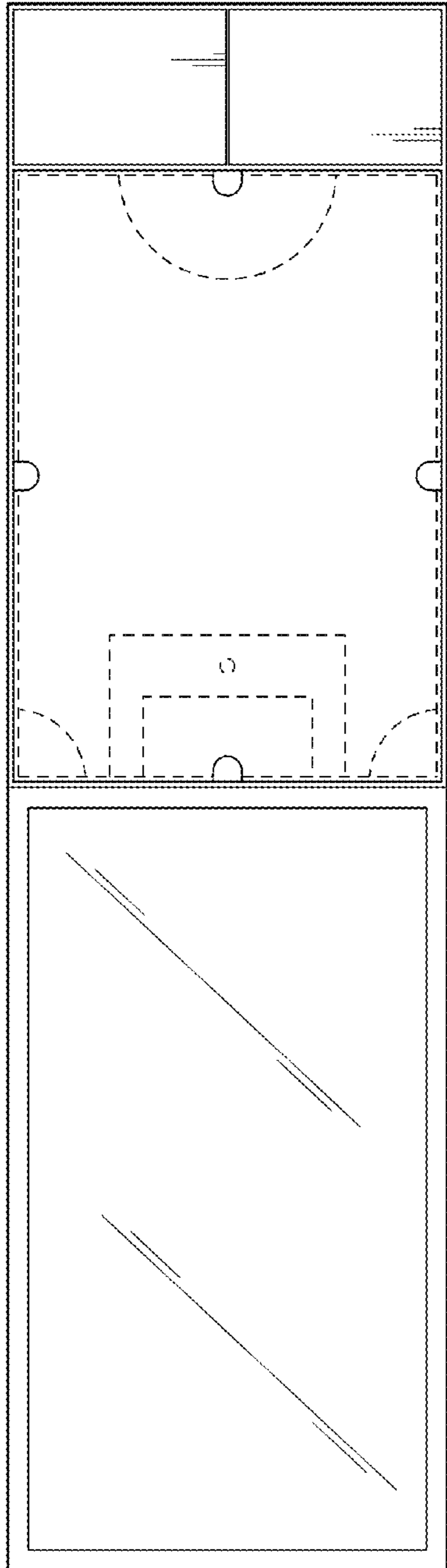


FIG. 9

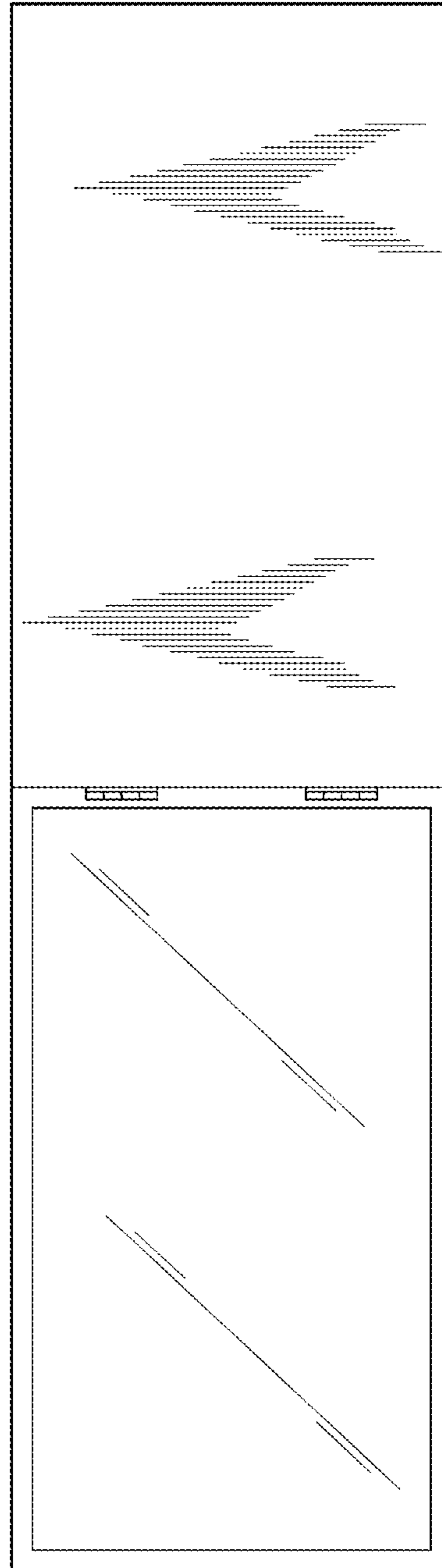


FIG. 10

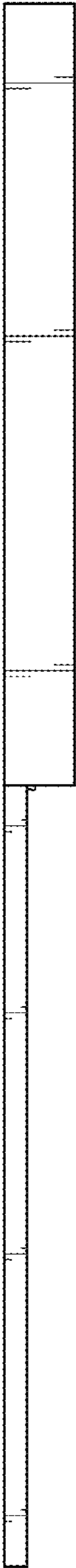


FIG. 11

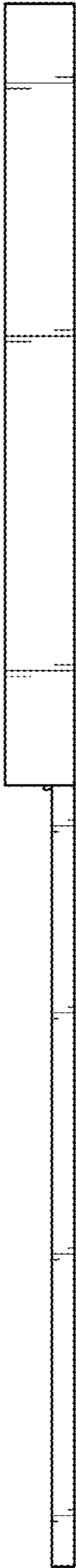


FIG. 12



FIG. 13

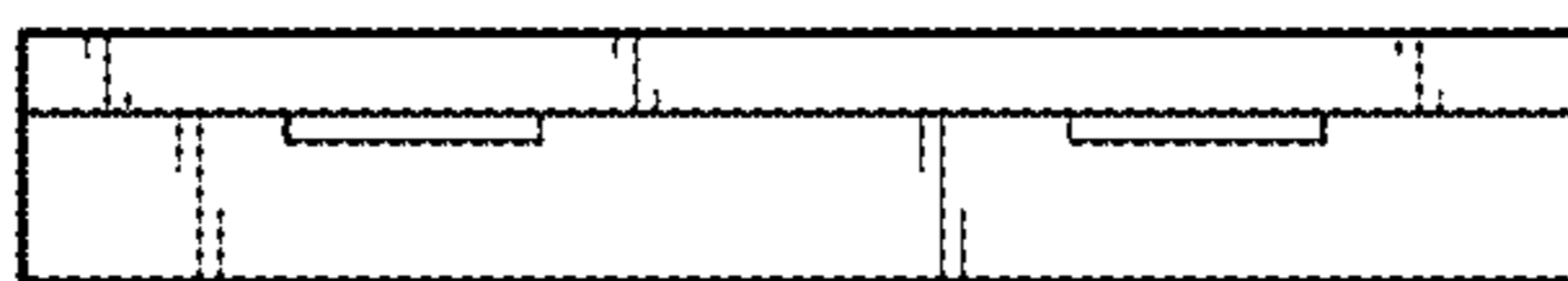


FIG. 14