



US00D708668S

(12) **United States Design Patent**
Ameli

(10) **Patent No.:** **US D708,668 S**
(45) **Date of Patent:** **** Jul. 8, 2014**

(54) **PENCIL SHARPENER**

(71) Applicant: **Eisen GmbH**, Baiersdorf (DE)

(72) Inventor: **Najine Ameli**, Münster (DE)

(73) Assignee: **Eisen GmbH**, Baiersdorf (DE)

(**) Term: **14 Years**

(21) Appl. No.: **29/461,095**

(22) Filed: **Jul. 18, 2013**

(30) **Foreign Application Priority Data**

Jan. 18, 2013 (DE) 40 2013 000 239

(51) **LOC (10) Cl.** **19-06**

(52) **U.S. Cl.**
USPC **D19/73**

(58) **Field of Classification Search**
USPC D19/72, 73, 74; 30/451-462; 144/28.1,
144/28.11, 28.2-28.7, 28.72, 28.8, 28.9;
D7/629; D9/782

See application file for complete search history.

(56) **References Cited**

U.S. PATENT DOCUMENTS

D57,707 S *	4/1921	Morrison	D9/782
D58,905 S *	9/1921	Harrington	D9/414
D119,782 S *	4/1940	Hoffmannn	D19/73
D209,847 S *	1/1968	Taylor	D7/612
3,385,465 A *	5/1968	Bliss	220/23.4
4,412,625 A *	11/1983	Zander	215/223
D280,966 S *	10/1985	Prophet et al.	D7/614
D308,336 S *	6/1990	Delbanco	D9/572

D317,261 S *	6/1991	Brown et al.	D9/782
D341,233 S *	11/1993	Muller	D32/1
D376,734 S *	12/1996	Petrie	D7/629
D442,861 S *	5/2001	Sagel	D9/430
D510,464 S *	10/2005	Christianson	D32/1
D538,357 S *	3/2007	Salmon	D21/505
D551,561 S *	9/2007	Bieger et al.	D9/561
D585,707 S *	2/2009	Weinstein	D7/612
D587,973 S *	3/2009	Romano	D7/629
D638,908 S *	5/2011	Sieth	D23/207
D676,506 S *	2/2013	Mimlitch et al.	D21/578
D683,192 S *	5/2013	Schwartz et al.	D7/629
D685,233 S *	7/2013	Wong	D7/629

* cited by examiner

Primary Examiner — Elizabeth Albert

(74) *Attorney, Agent, or Firm* — Laurence A. Greenberg;
Werner H. Stemer; Ralph E. Locher

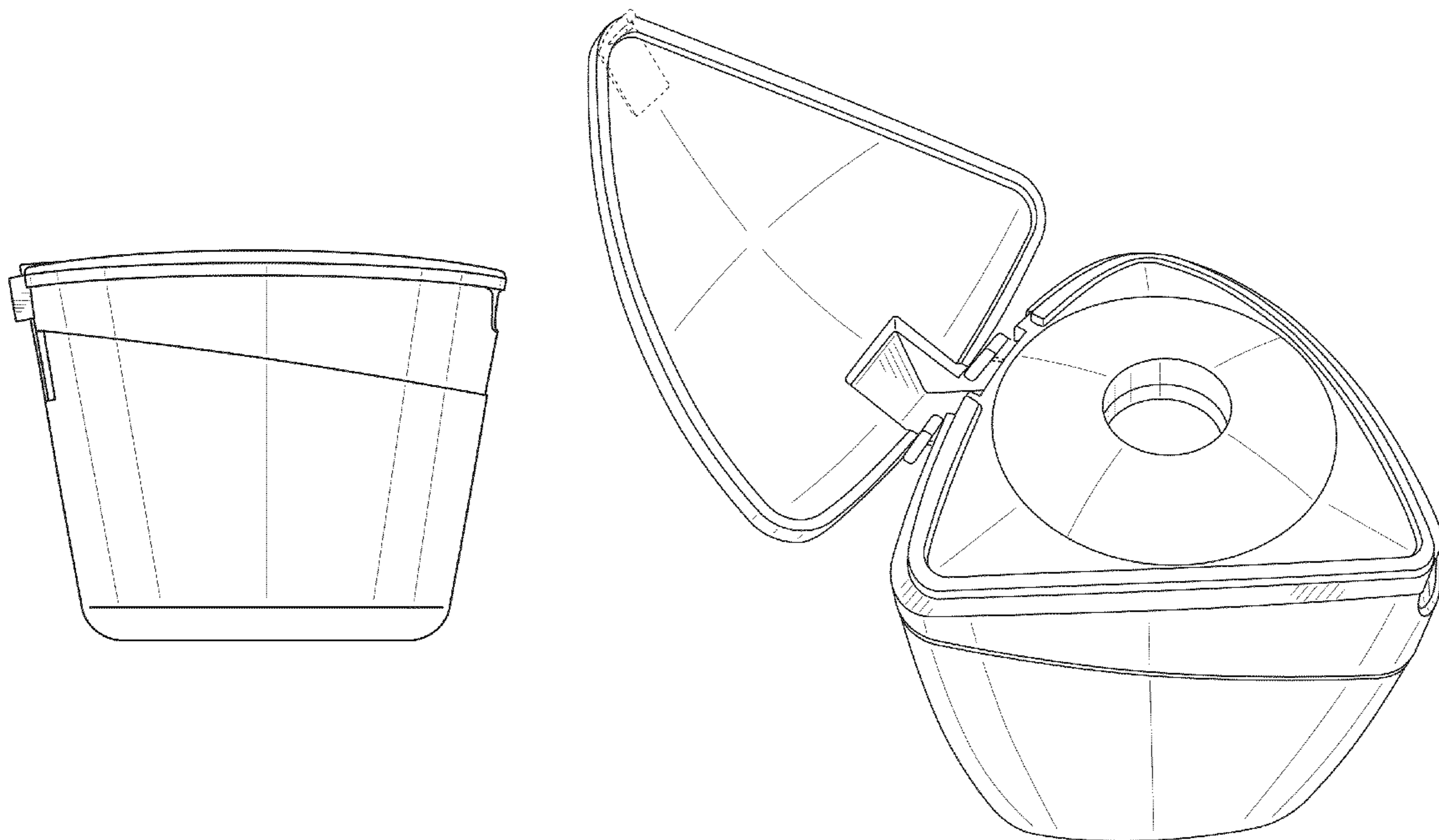
(57) **CLAIM**

The ornamental design for a pencil sharpener, as shown and described.

DESCRIPTION

FIG. 1 is a front elevation view of the pencil sharpener, showing my new design;
FIG. 2 is a rear elevation view thereof;
FIG. 3 is a left side elevation view thereof;
FIG. 4 is a right side elevation view thereof;
FIG. 5 is a top plan view thereof;
FIG. 6 is a bottom view thereof;
FIG. 7 is a top perspective view thereof;
FIG. 8 is a bottom perspective view thereof; and,
FIG. 9 is a perspective view thereof, with the lid in the open position.

1 Claim, 6 Drawing Sheets



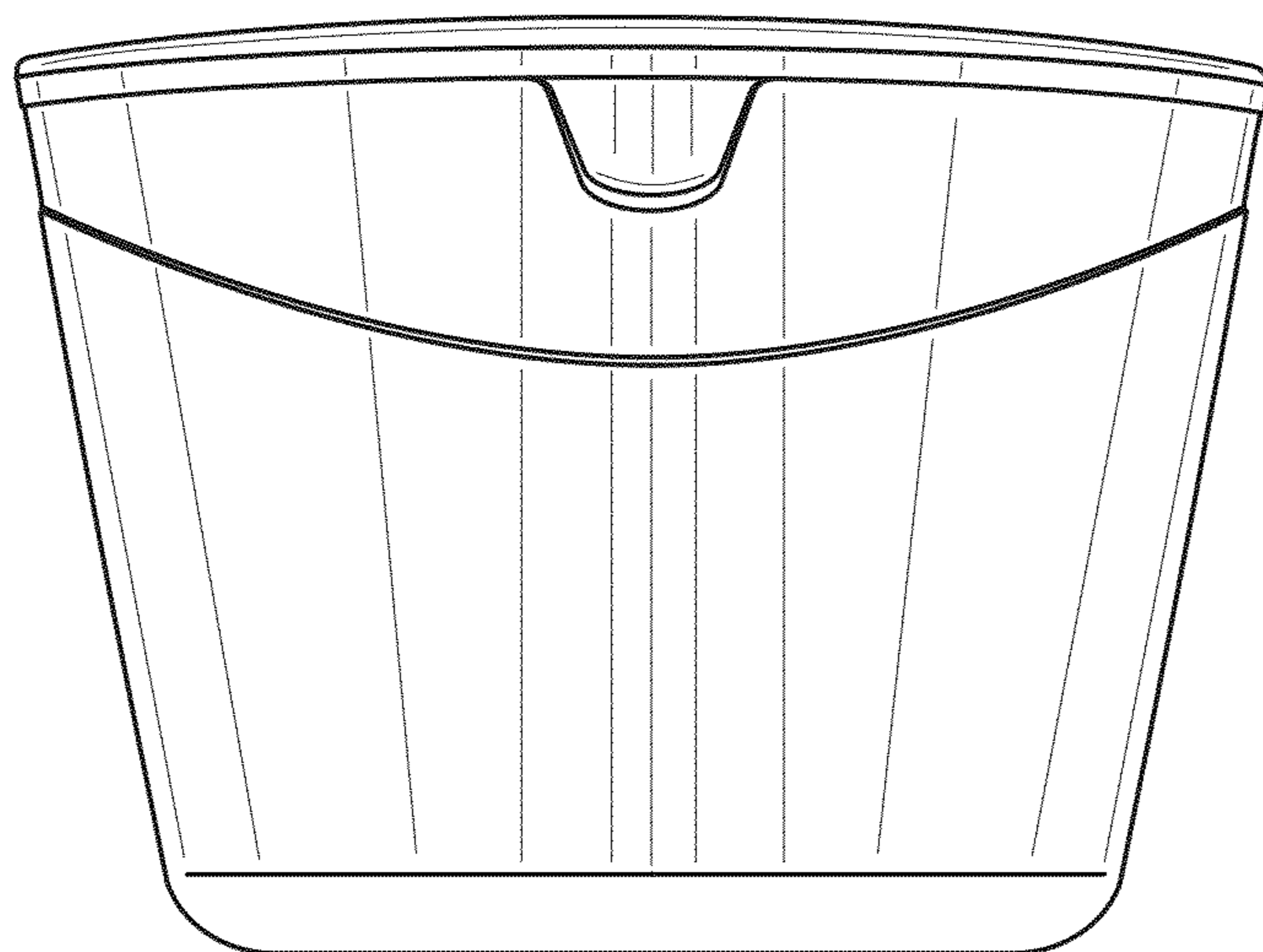


FIG. 1

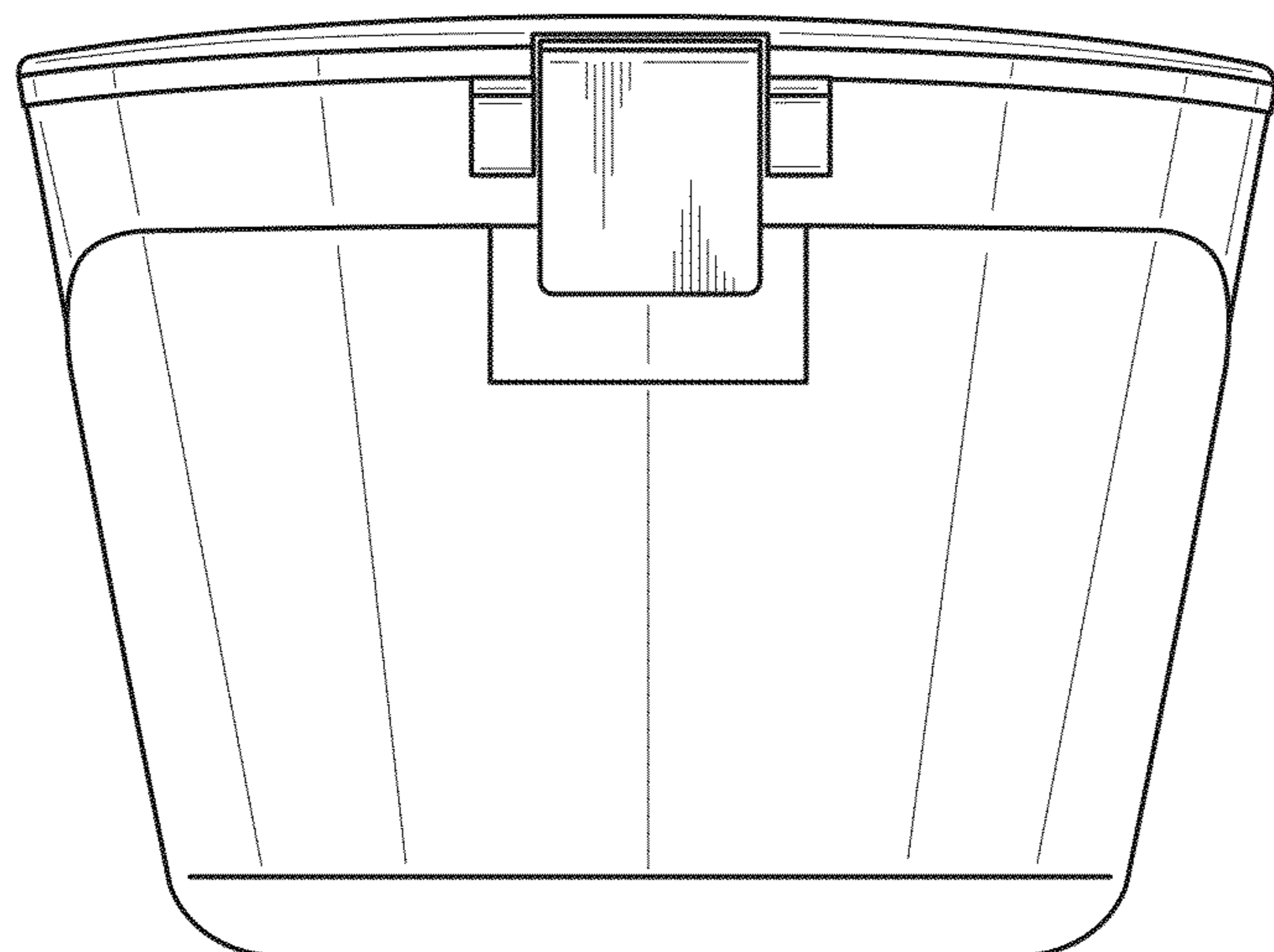


FIG. 2

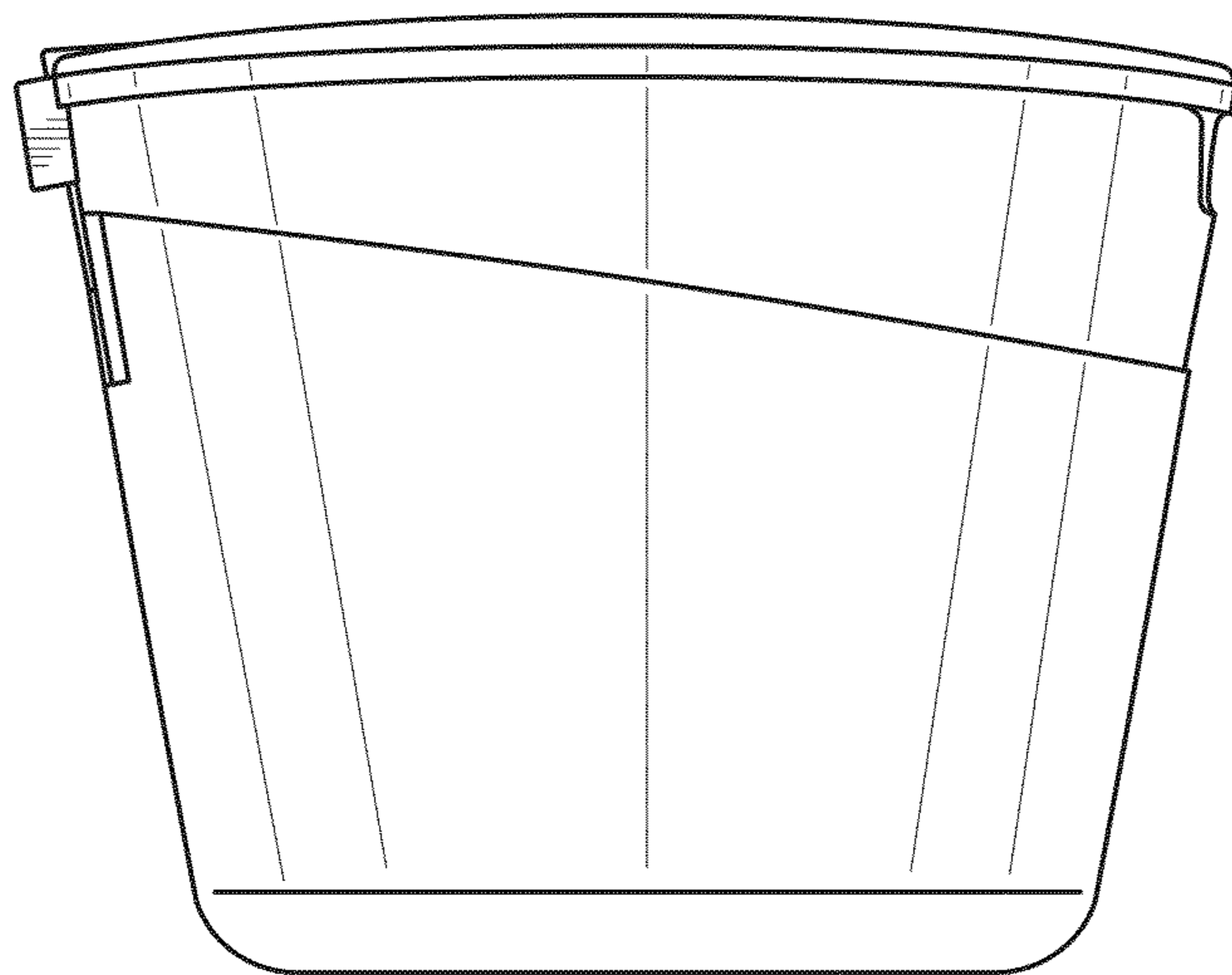


FIG. 3

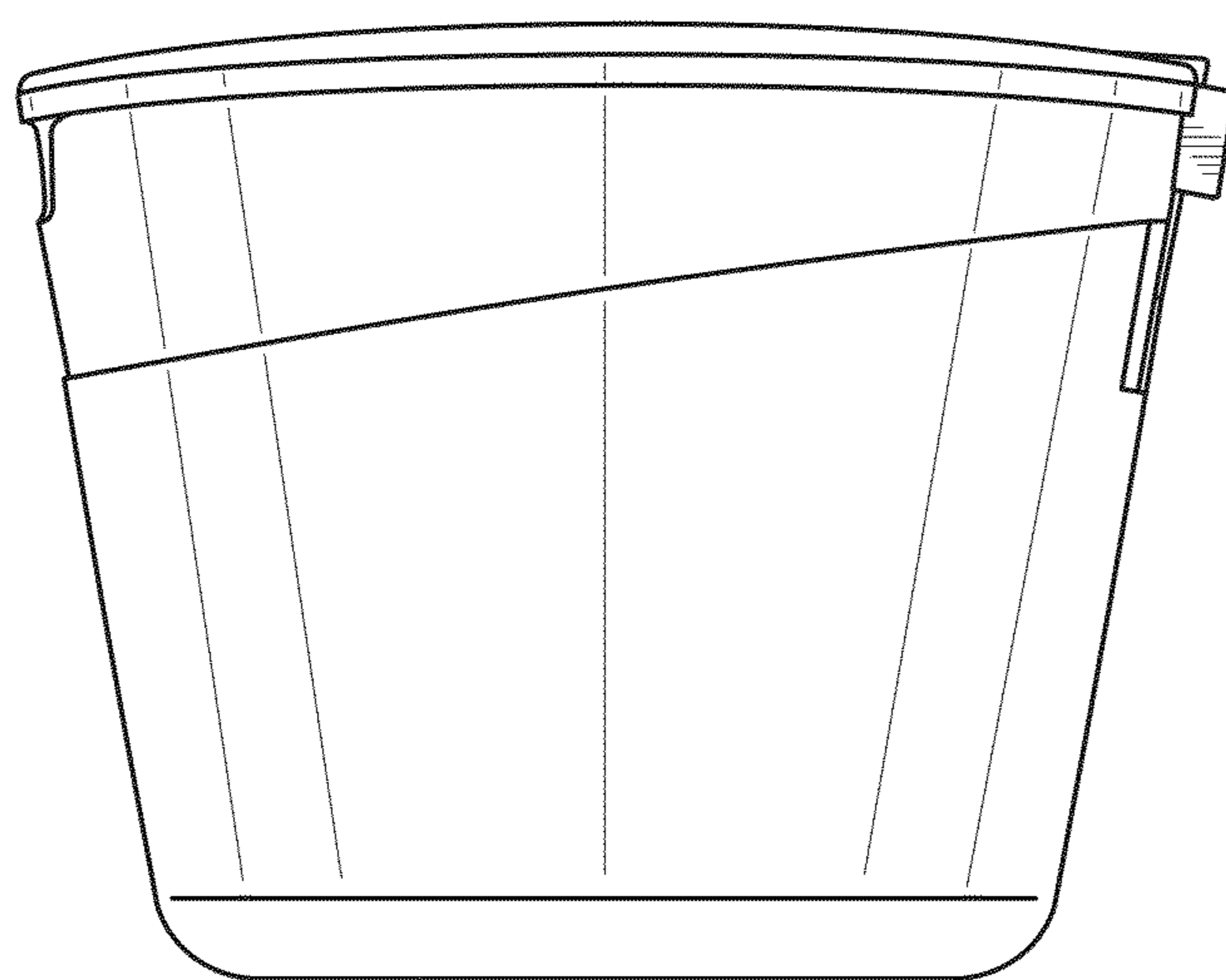


FIG. 4

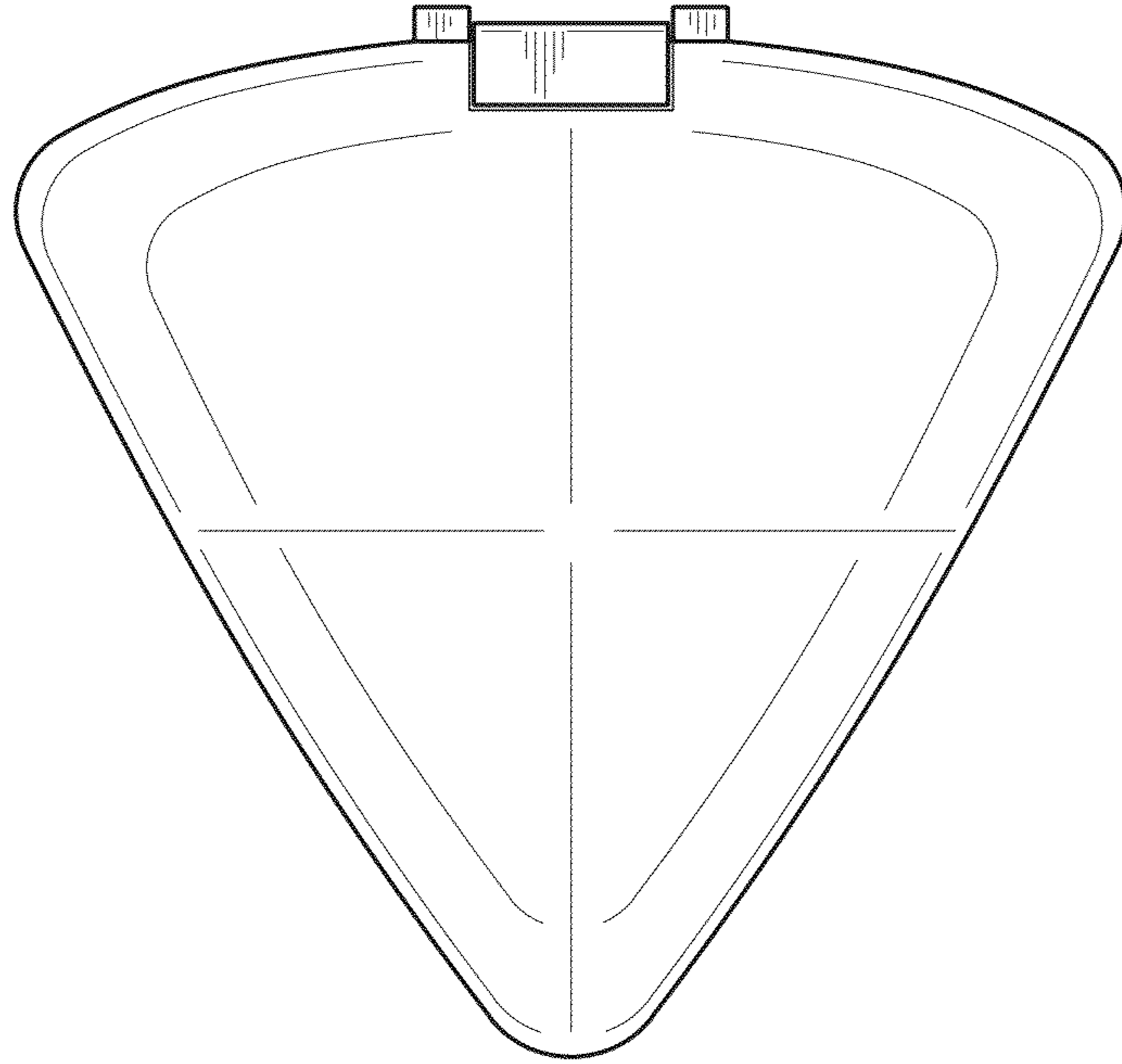


FIG. 5

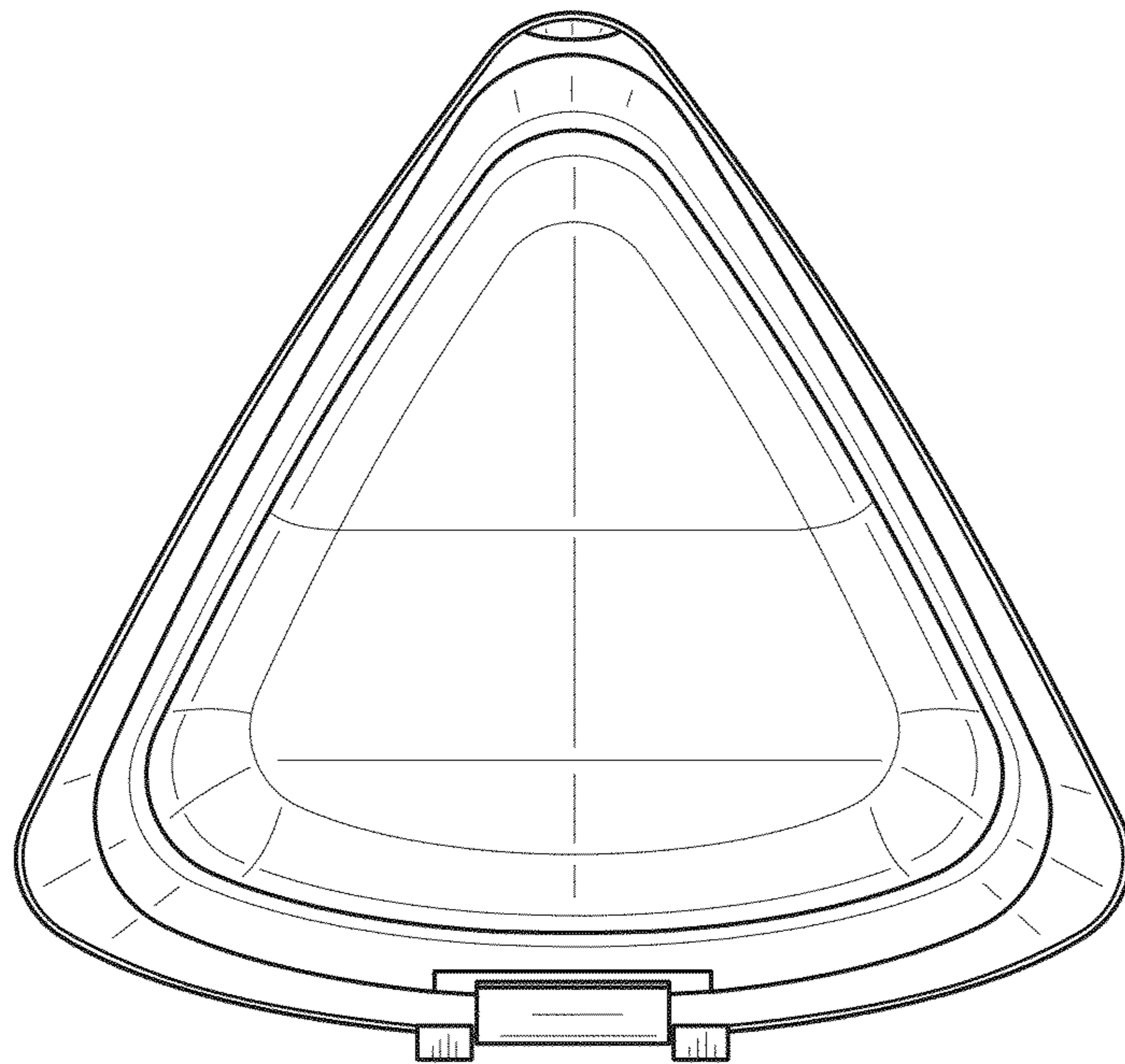


FIG. 6

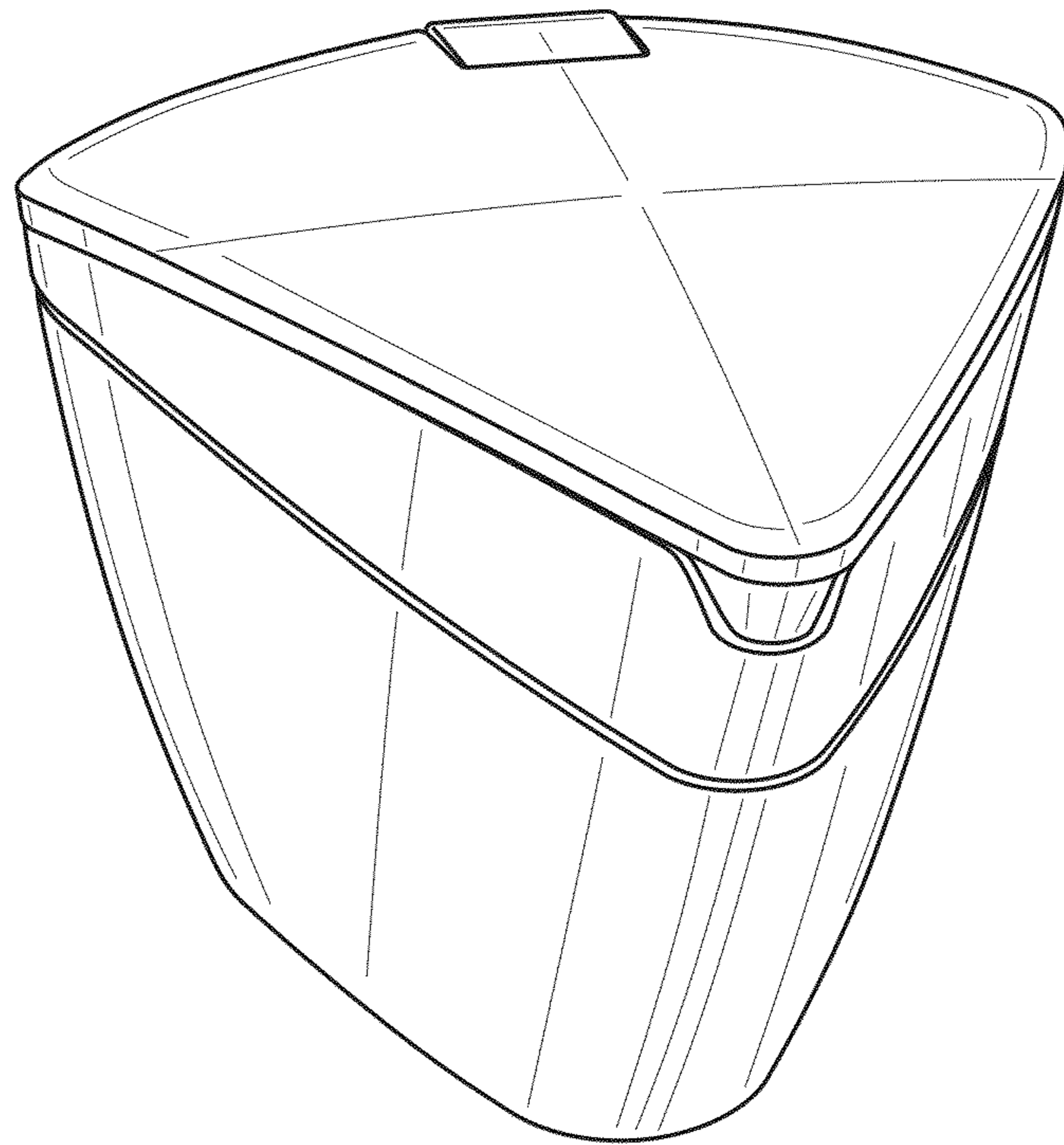


FIG. 7

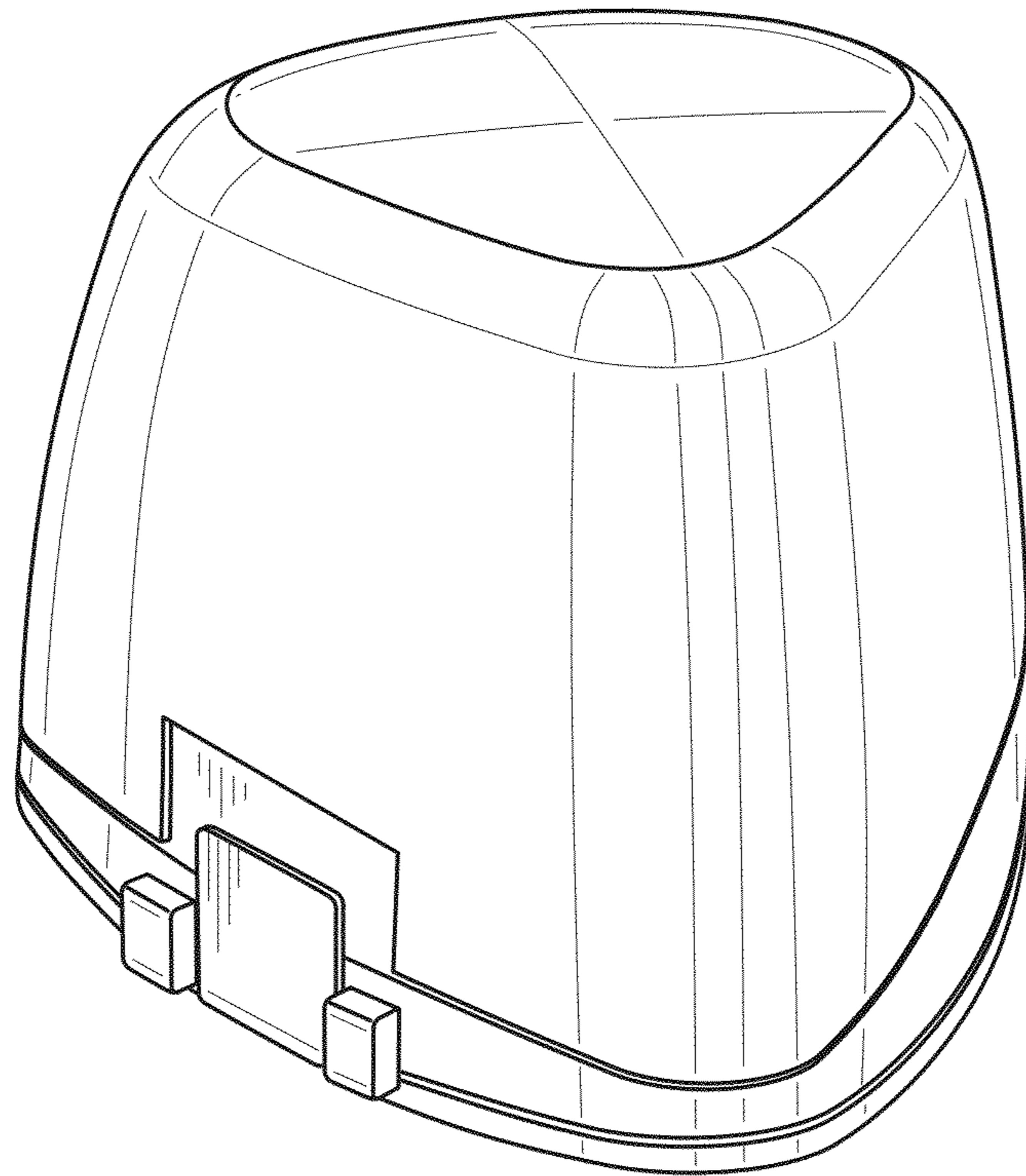


FIG. 8

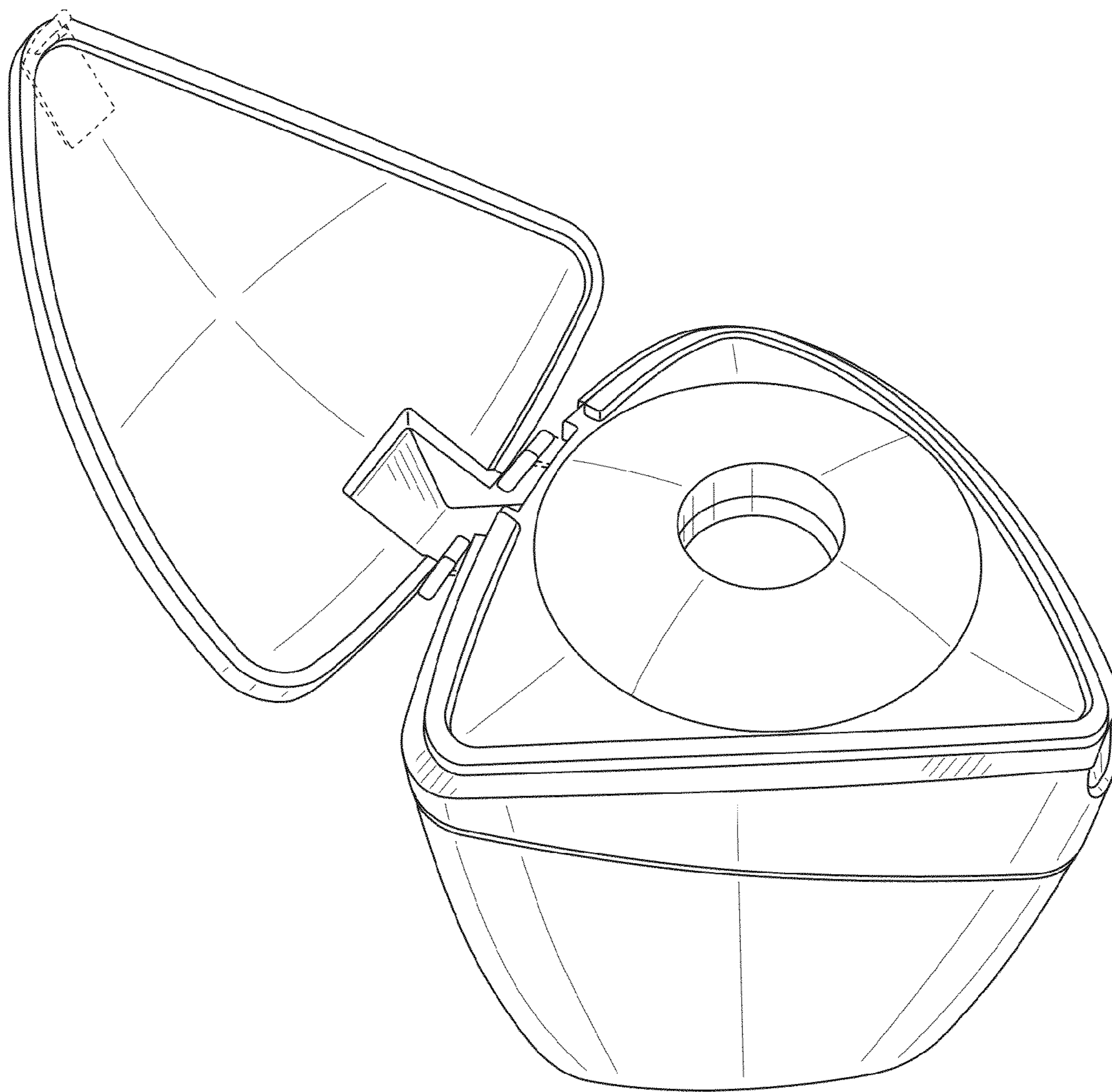


Fig. 9