



US00D708667S

(12) **United States Design Patent**
Carrington

(10) **Patent No.:** **US D708,667 S**

(45) **Date of Patent:** **** Jul. 8, 2014**

(54) **TAPE DISPENSER**

(71) Applicant: **William L. Carrington**, Overland Park, KS (US)

(72) Inventor: **William L. Carrington**, Overland Park, KS (US)

(**) Term: **14 Years**

(21) Appl. No.: **29/486,439**

(22) Filed: **Mar. 28, 2014**

(51) **LOC (10) Cl.** **19-02**

(52) **U.S. Cl.**
USPC **D19/69**

(58) **Field of Classification Search**
CPC B65H 35/0026; B65H 35/0073; B65H 35/0033; B65H 35/007; B26F 3/02
USPC D19/70, 69, 36, 68; 242/588.6, 588.2; 225/77, 6, 56, 39, 26, 25, 19, 11; 206/411; 156/577, 527, 523
See application file for complete search history.

(56) **References Cited**

U.S. PATENT DOCUMENTS

2,414,333	A *	1/1947	Schieman	225/66
3,102,671	A *	9/1963	Gershen	225/43
3,127,078	A *	3/1964	Dubnick	225/33
D246,659	S	12/1977	Vailati		
D263,059	S *	2/1982	Croyle et al.	D19/69
4,772,355	A *	9/1988	Leahy	156/750
D300,750	S *	4/1989	Mead	D19/67

D379,048	S *	5/1997	Ros et al.	D6/634
D415,528	S *	10/1999	Mandar	D19/69
D416,942	S *	11/1999	Tsung	D19/75
6,481,607	B1 *	11/2002	Van Cott	225/46
D486,520	S *	2/2004	Sherman et al.	D19/69
D492,356	S *	6/2004	Milliorn et al.	D19/69
D630,252	S *	1/2011	Abulaf	D19/69
D643,831	S *	8/2011	Chun et al.	D14/217
D671,990	S *	12/2012	Kugimiya et al.	D19/69
8,479,794	B2	7/2013	Vulpitta		
D692,489	S *	10/2013	De Bellis et al.	D19/86

* cited by examiner

Primary Examiner — Austin Murphy

(74) *Attorney, Agent, or Firm* — Kenneth W. Iles

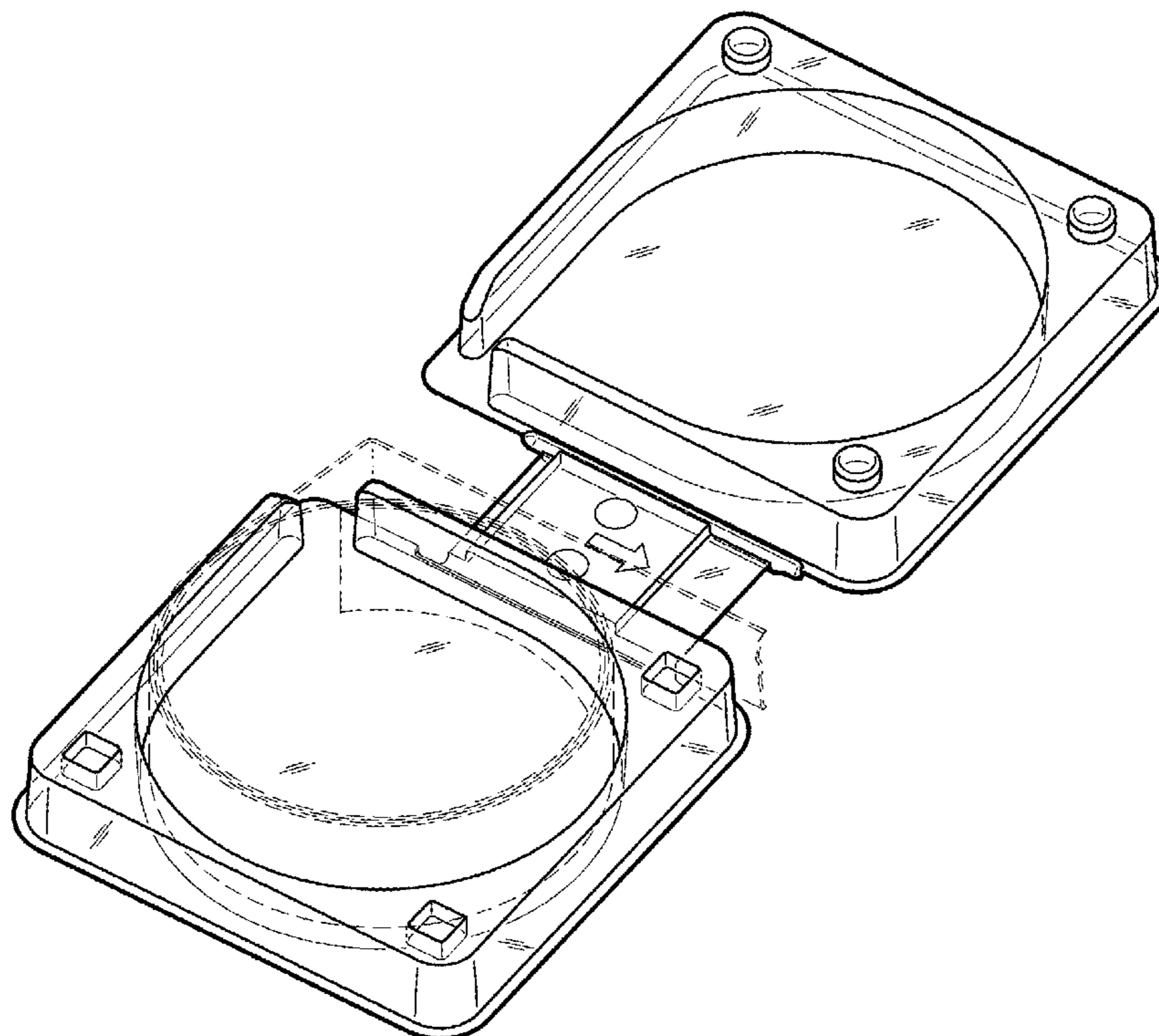
(57) **CLAIM**

The ornamental design for a tape dispenser, as shown and described.

DESCRIPTION

FIG. 1 is a left front isometric view of the tape dispenser showing my new design in a closed position ready for use; FIG. 2 is a left front isometric view thereof showing the tape dispenser in an open position; FIG. 3 is a top view thereof; FIG. 4 is a bottom view thereof; FIG. 5 is left side view thereof; FIG. 6 is a right side view thereof; FIG. 7 is a front view thereof; and, FIG. 8 is a rear view thereof.

1 Claim, 4 Drawing Sheets



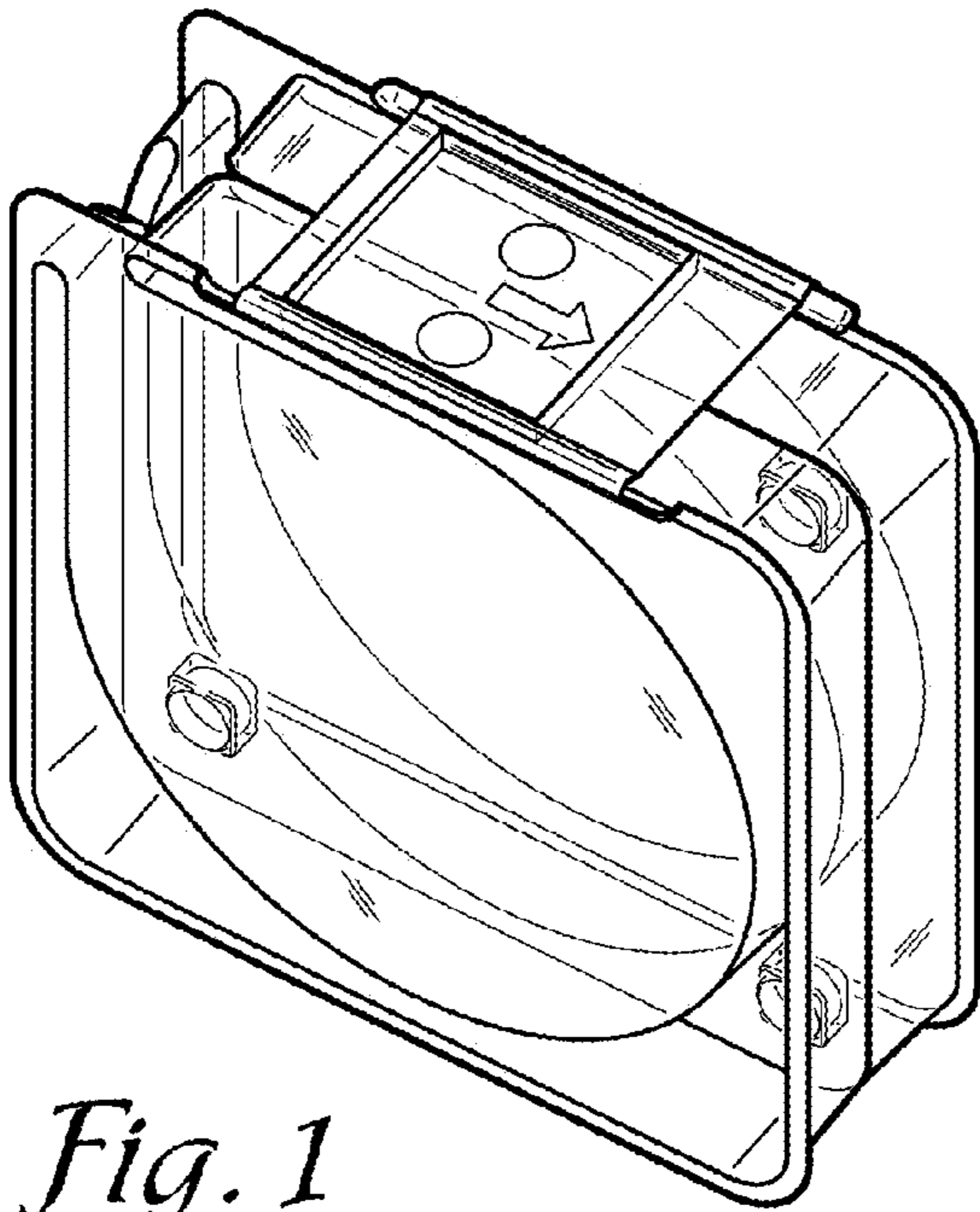


Fig. 1

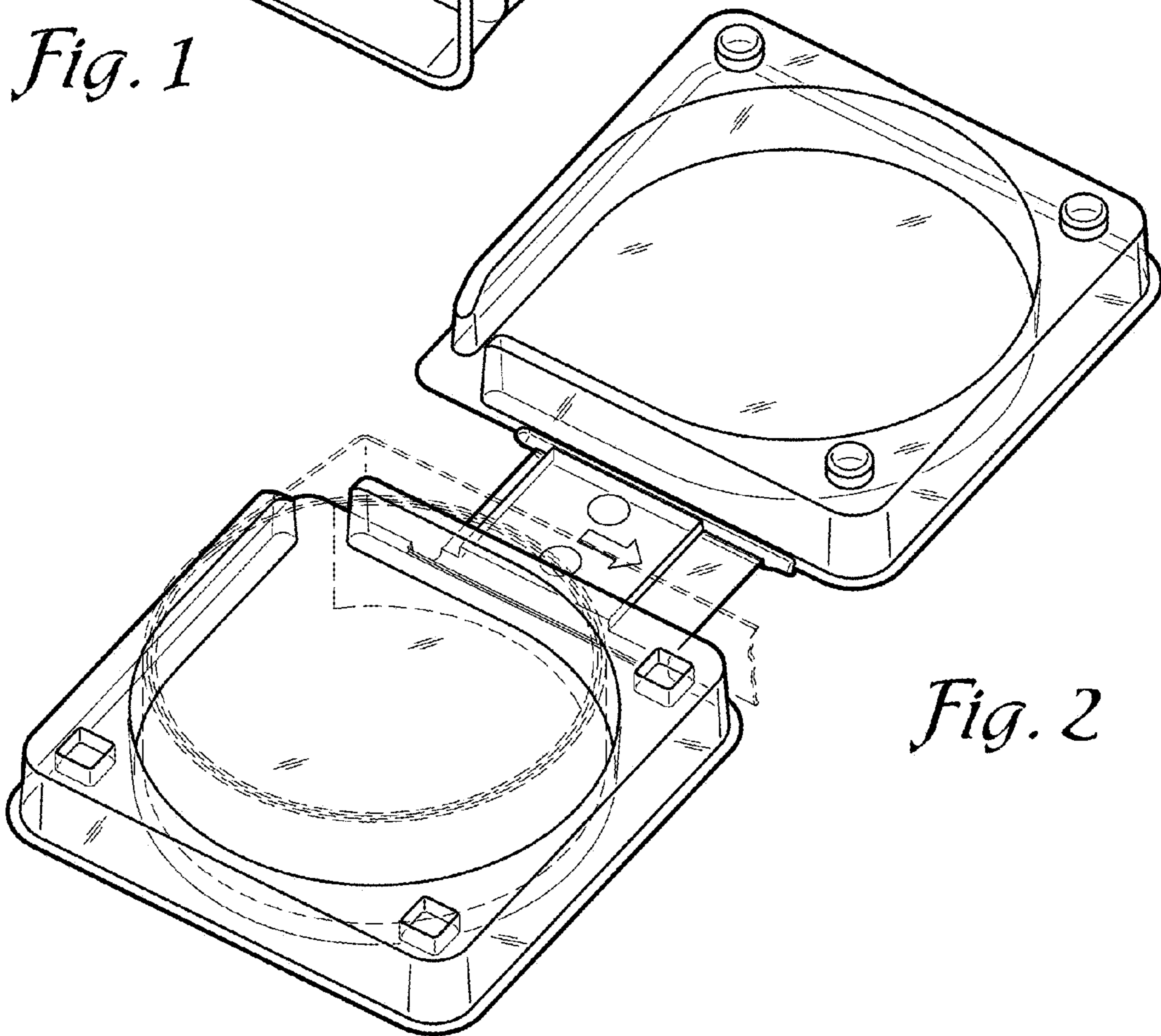


Fig. 2

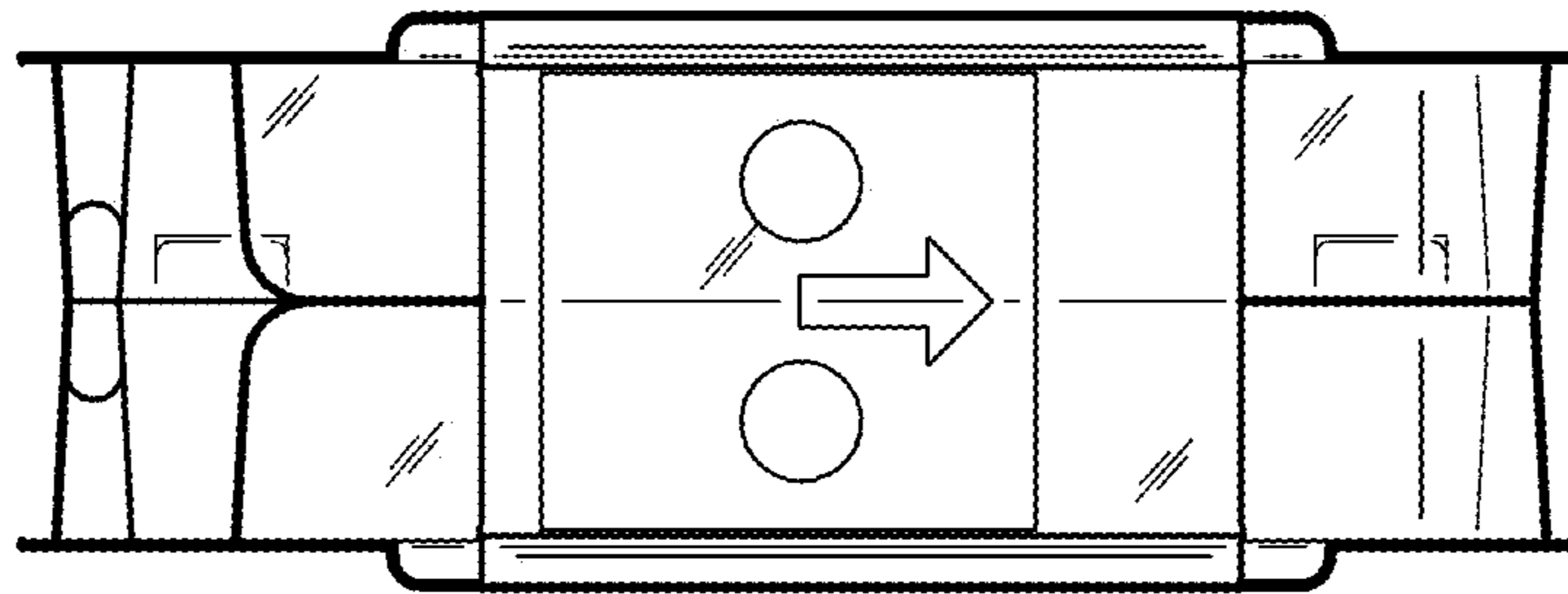


Fig. 3

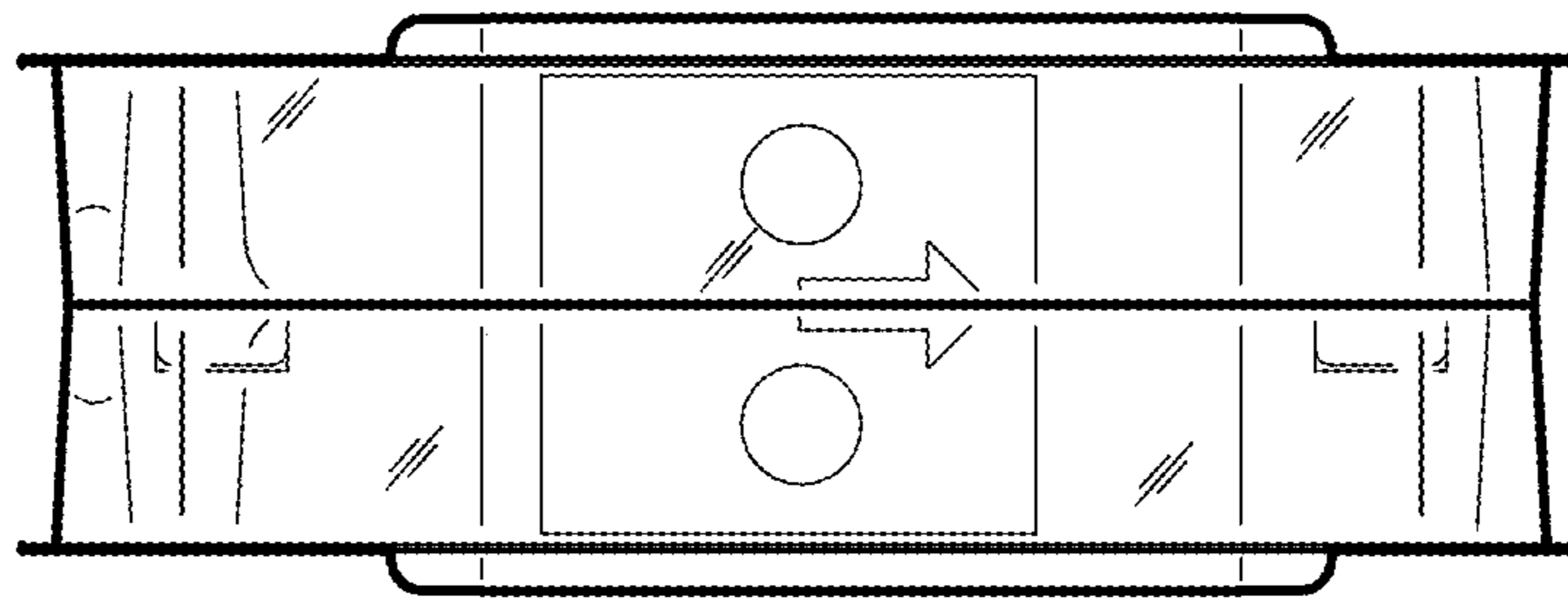


Fig. 4

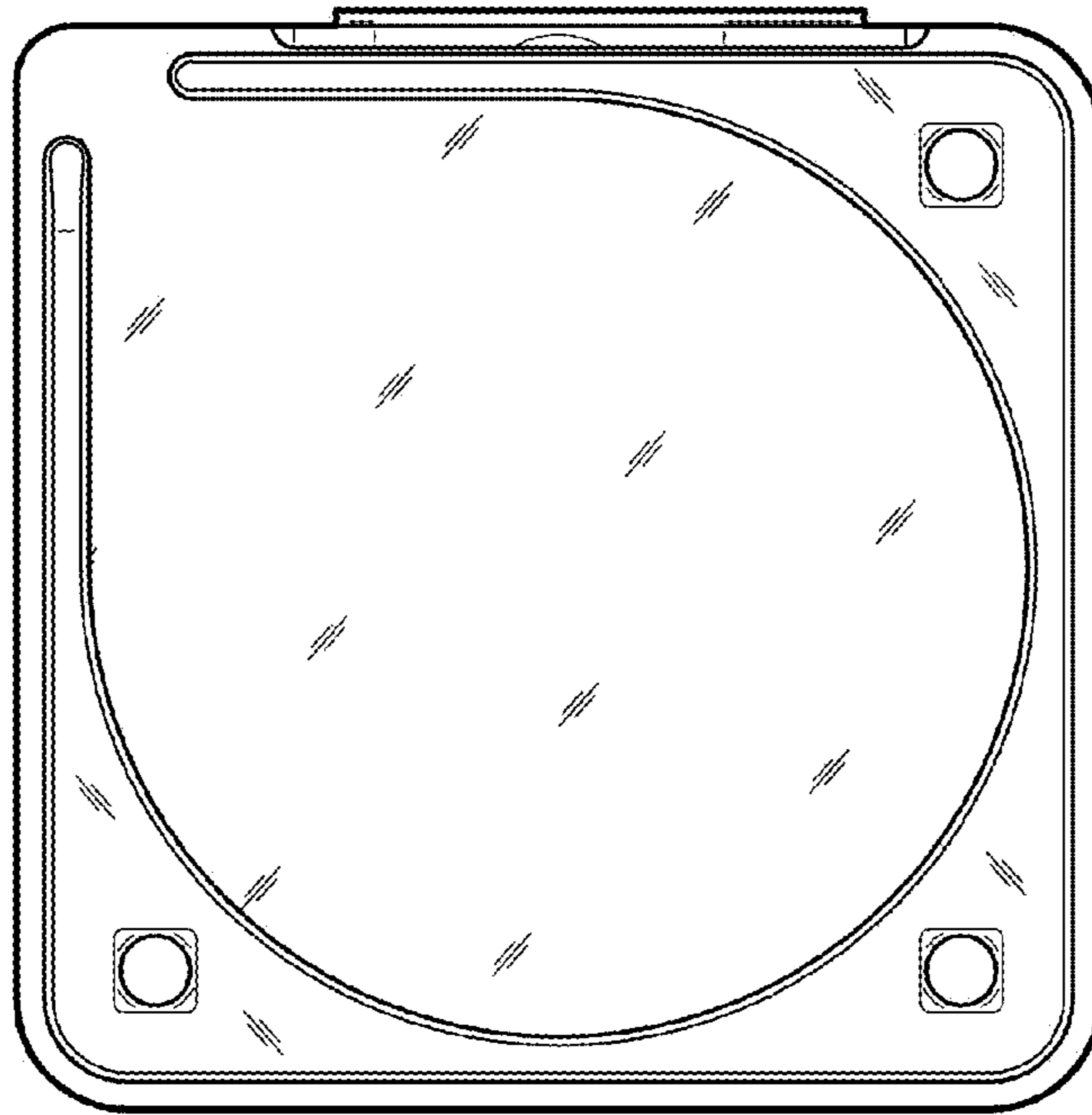


Fig. 5

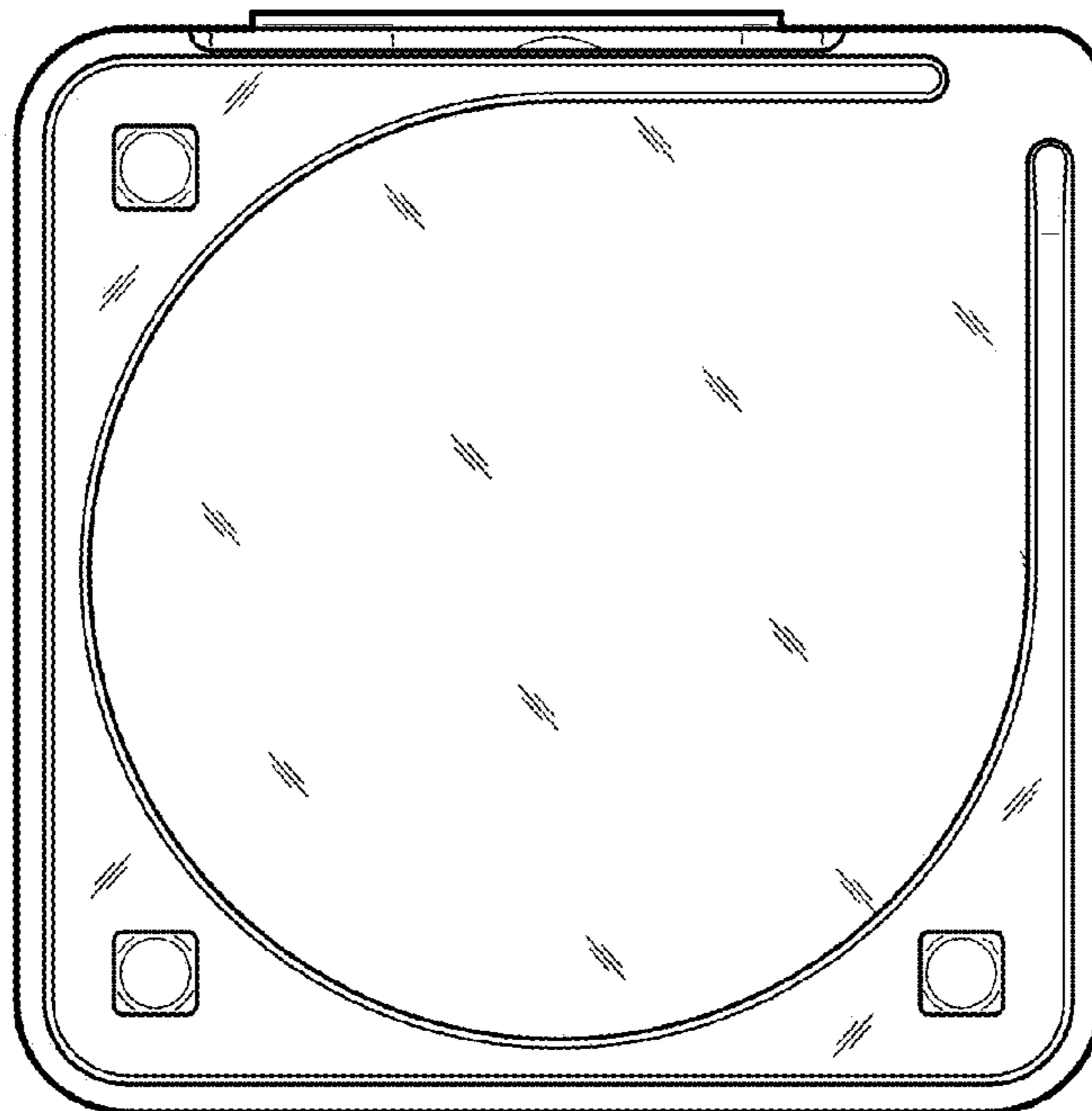


Fig. 6

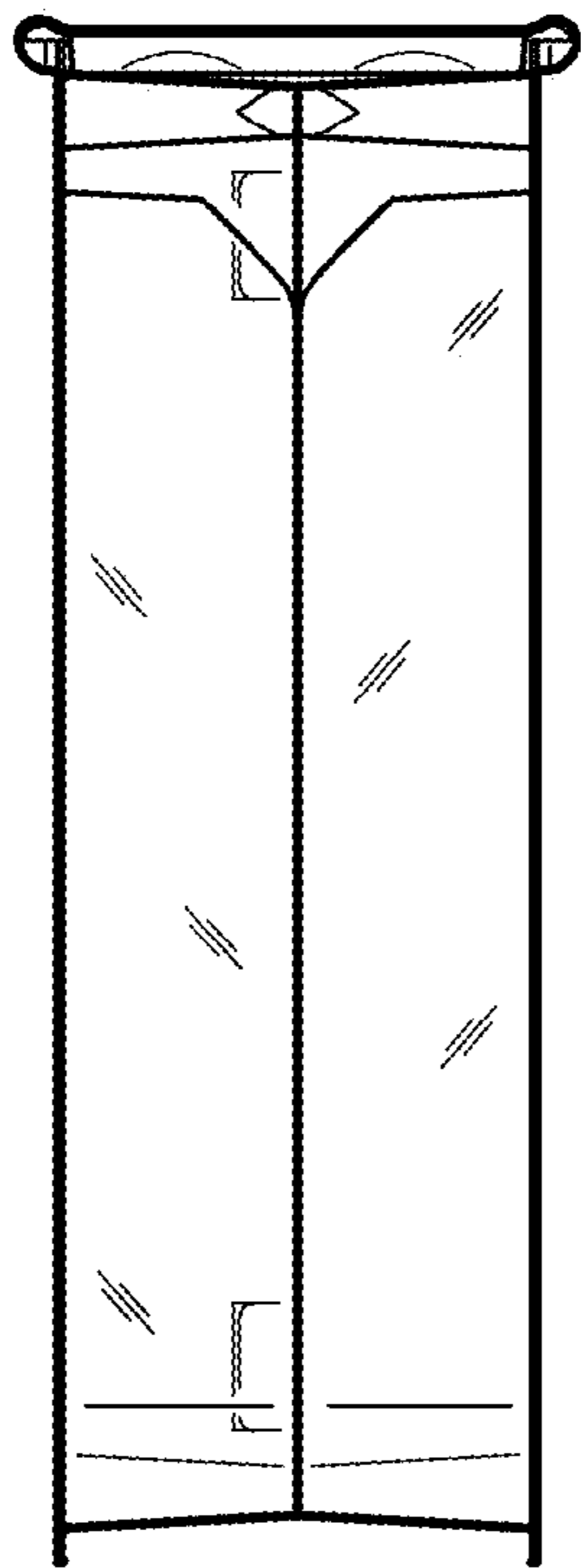


Fig. 7

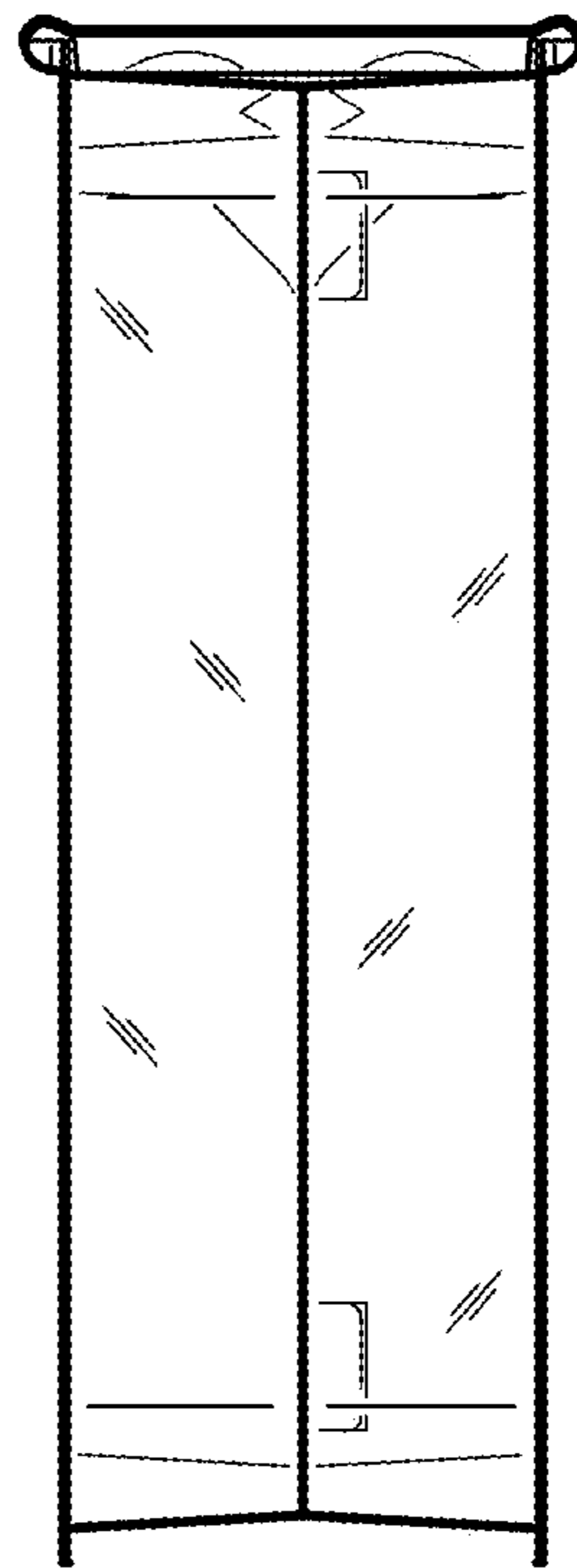


Fig. 8