



US00D708665S

(12) **United States Design Patent**
Grabowski

(10) **Patent No.:** **US D708,665 S**

(45) **Date of Patent:** **** Jul. 8, 2014**

(54) **HANDHELD PRINTER**

(71) Applicant: **EBS Ink-Jet Systems GmbH,**
Numbrecht (DE)

(72) Inventor: **Waldemar Grabowski,** Numbrecht
(DE)

(73) Assignee: **EBS Ink-Jet Systems GmbH** (DE)

(**) Term: **14 Years**

(21) Appl. No.: **29/436,141**

(22) Filed: **Nov. 1, 2012**

(30) **Foreign Application Priority Data**

May 2, 2012 (DE) 40 2012 100 332

(51) **LOC (10) Cl.** **18-02**

(52) **U.S. Cl.**
USPC **D18/14**

(58) **Field of Classification Search**

USPC D18/14, 19, 52; D10/41; D16/200;
101/93.04, 327; 156/384, 574, 579;
235/462.45; 349/109; 400/88

See application file for complete search history.

(56) **References Cited**

U.S. PATENT DOCUMENTS

D484,906 S * 1/2004 Arnold et al. D18/14
D486,512 S * 2/2004 Arnold et al. D18/14
D631,087 S * 1/2011 Arnold et al. D18/19
8,011,408 B2 * 9/2011 Tharp et al. 156/384

* cited by examiner

Primary Examiner — Cathy A MacCormac

(74) *Attorney, Agent, or Firm* — Cantor Colburn LLP

(57) **CLAIM**

I claim, the ornamental design for a handheld printer, as shown and described.

DESCRIPTION

FIG. 1 is a right side elevation view of a handheld printer, showing my new design,

FIG. 2 is left side elevation view thereof;

FIG. 3 is front elevation view thereof;

FIG. 4 is rear elevation view thereof;

FIG. 5 is a bottom plan view thereof

FIG. 6 is a top plan view thereof;

FIG. 7 is a top, front, and right side perspective view thereof;

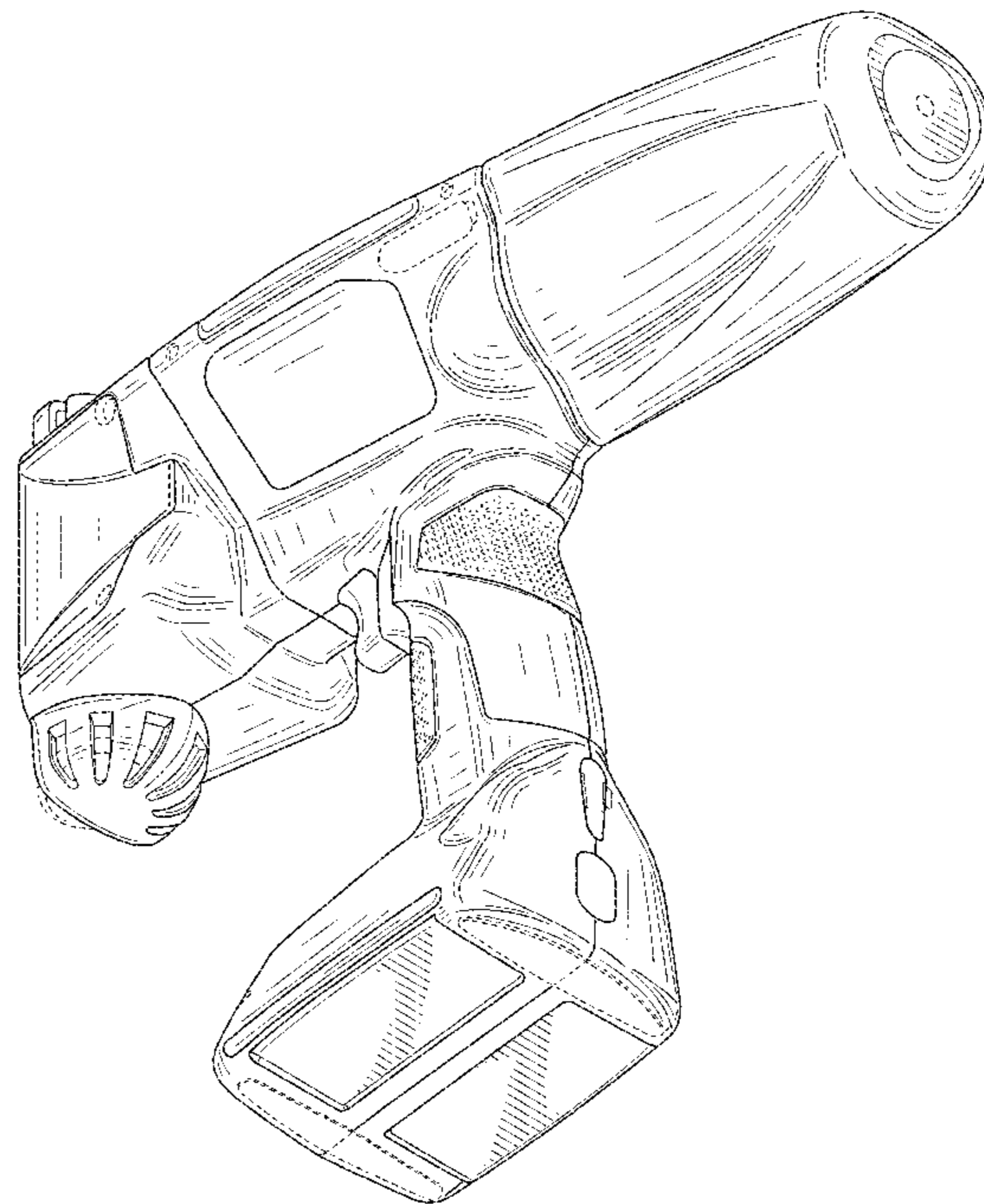
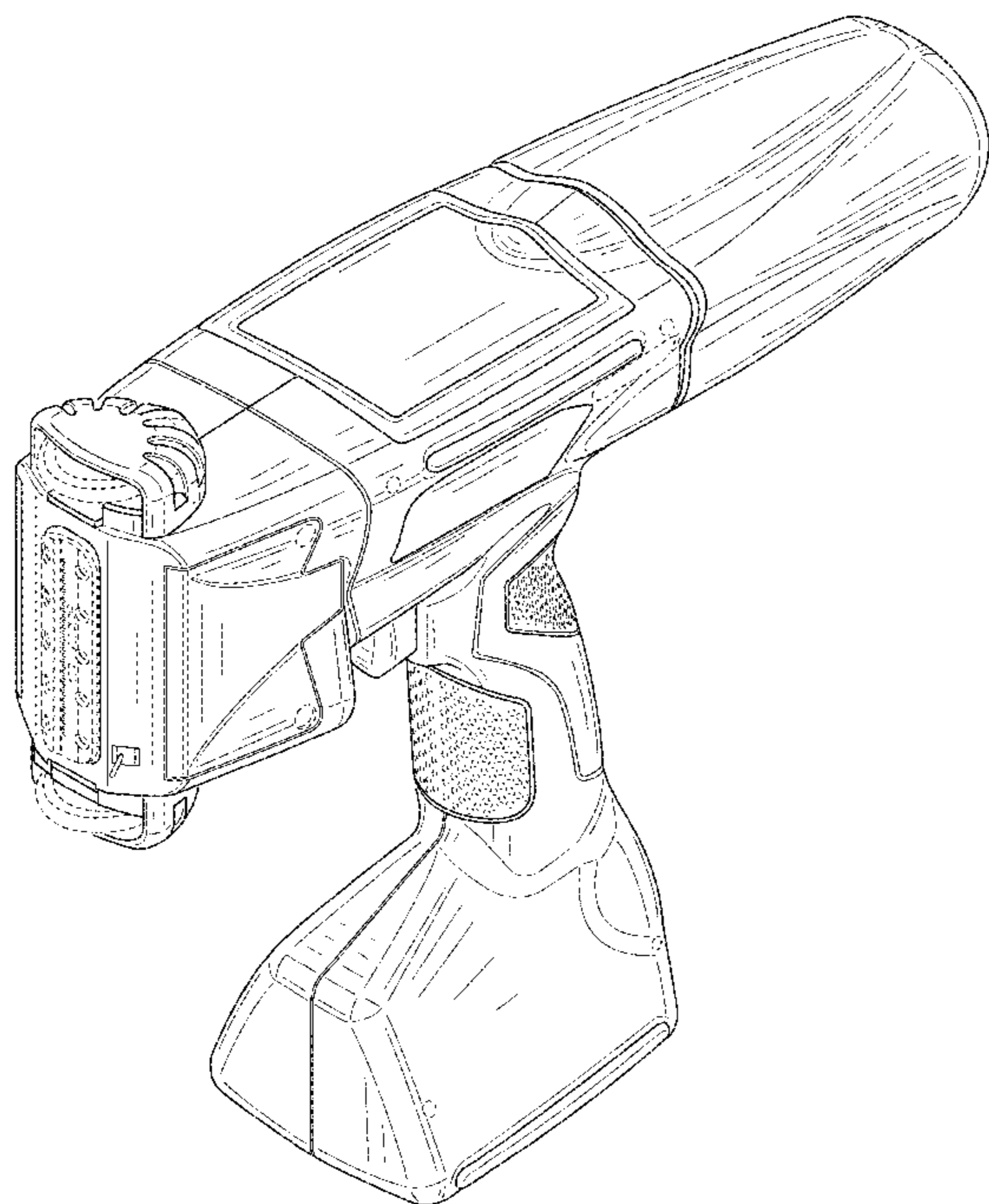
FIG. 8 is a top, rear, and left side perspective view thereof;

FIG. 9 is a bottom, rear, and right side perspective view thereof; and,

FIG. 10 is a bottom, front, and left perspective view thereof. The broken lines are for illustration only and form no part of the claimed design.

References to “side,” “top,” “bottom,” “front,” and “rear” in the Figure Descriptions are not necessarily meant to require any specific orientation of the article as viewed. A handheld printer according to the claimed design may be used in any orientation.

1 Claim, 9 Drawing Sheets



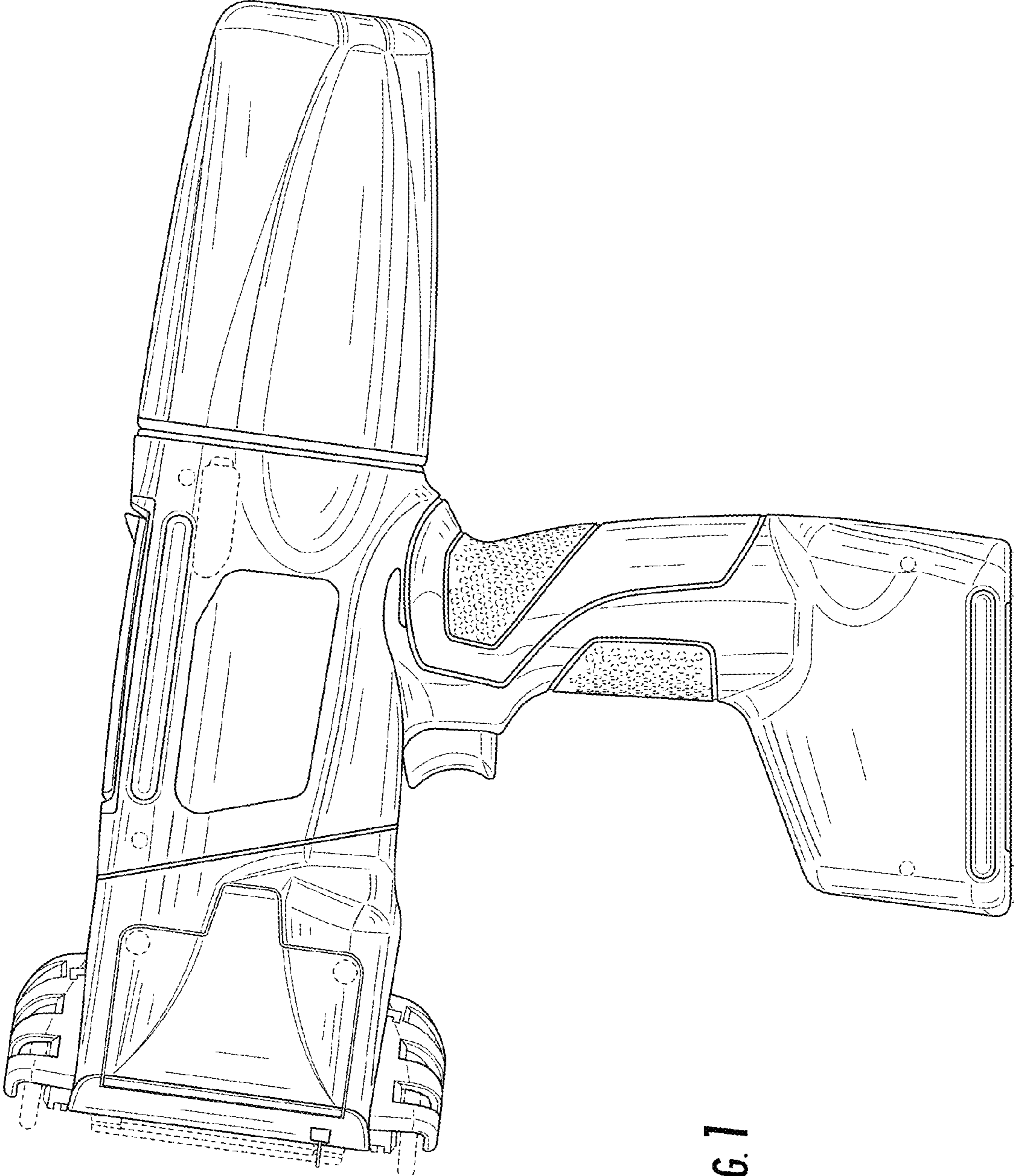


FIG. 1

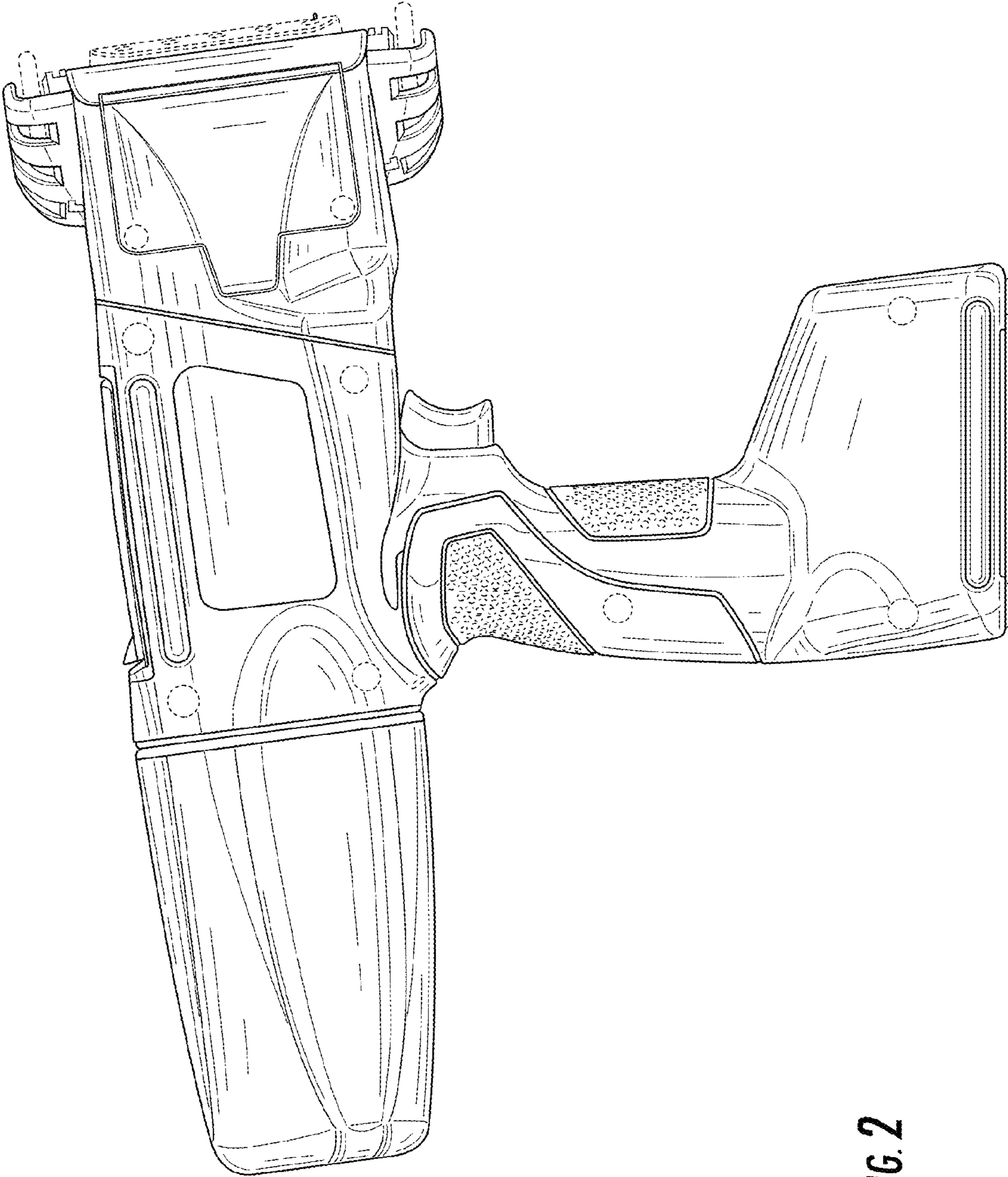


FIG. 2

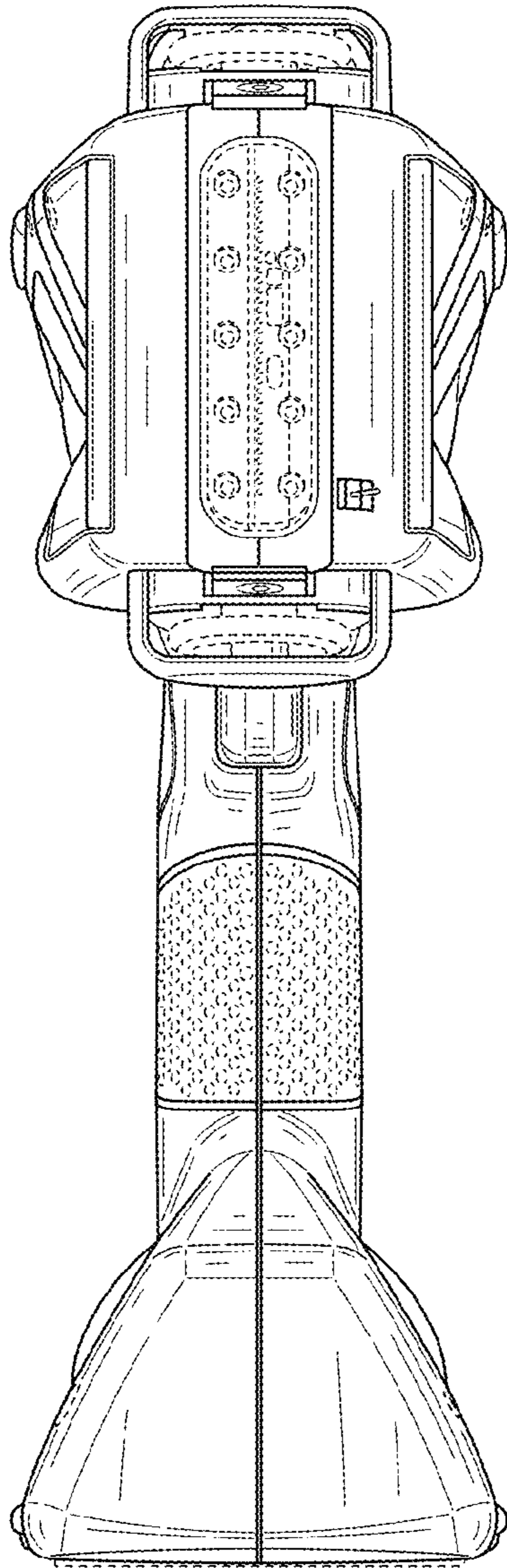


FIG. 3

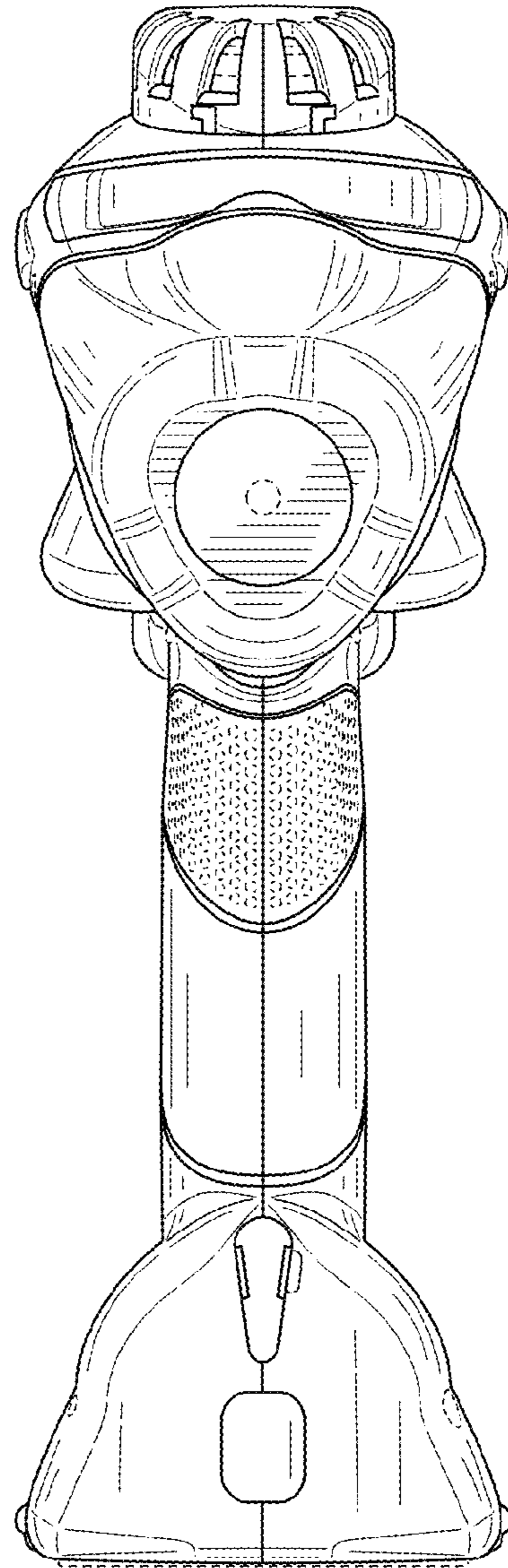


FIG. 4

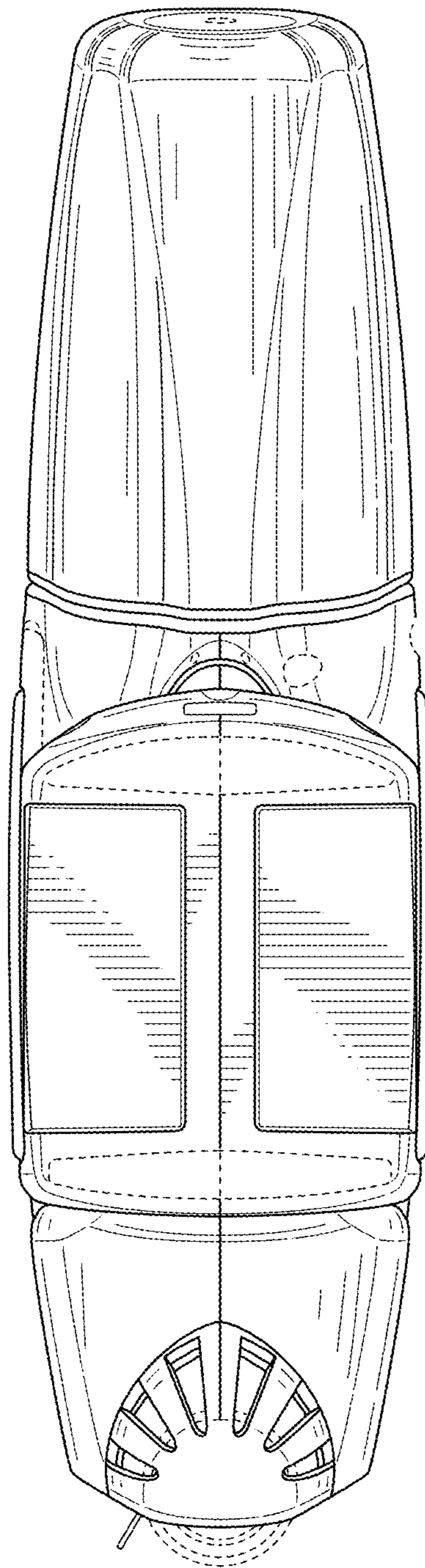


FIG. 5

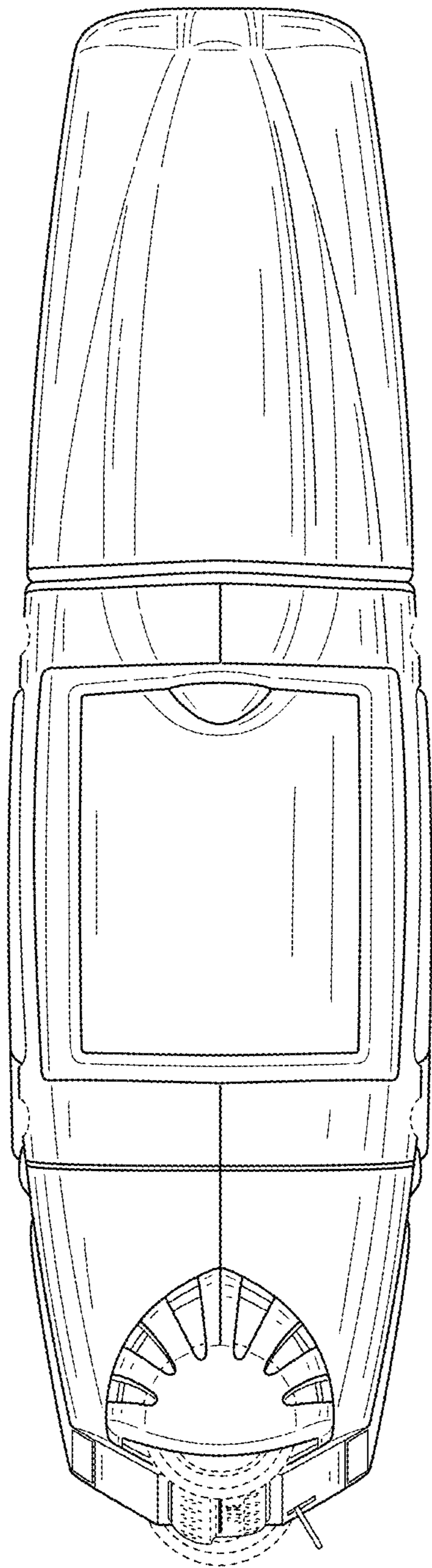


FIG. 6

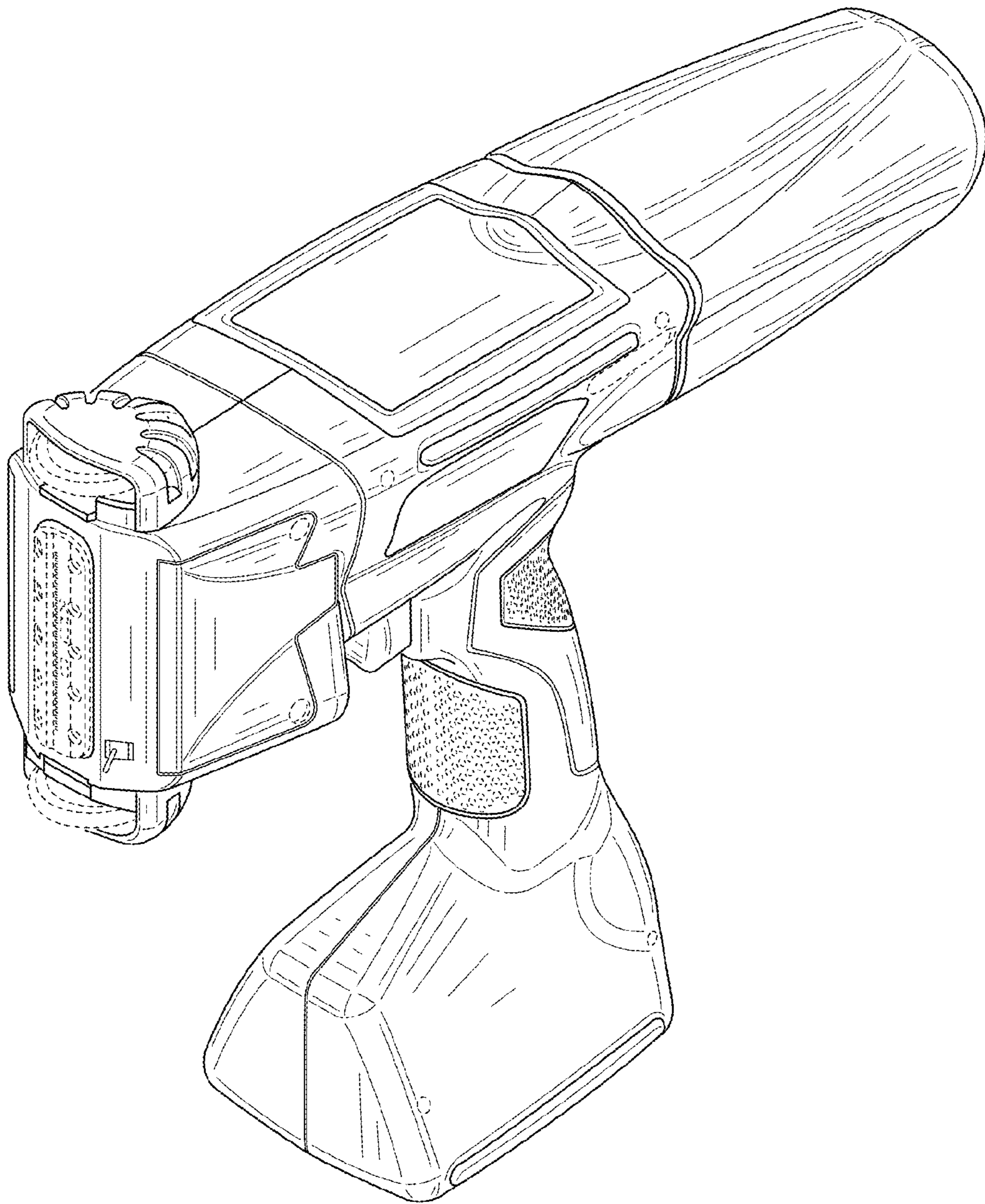


FIG. 7

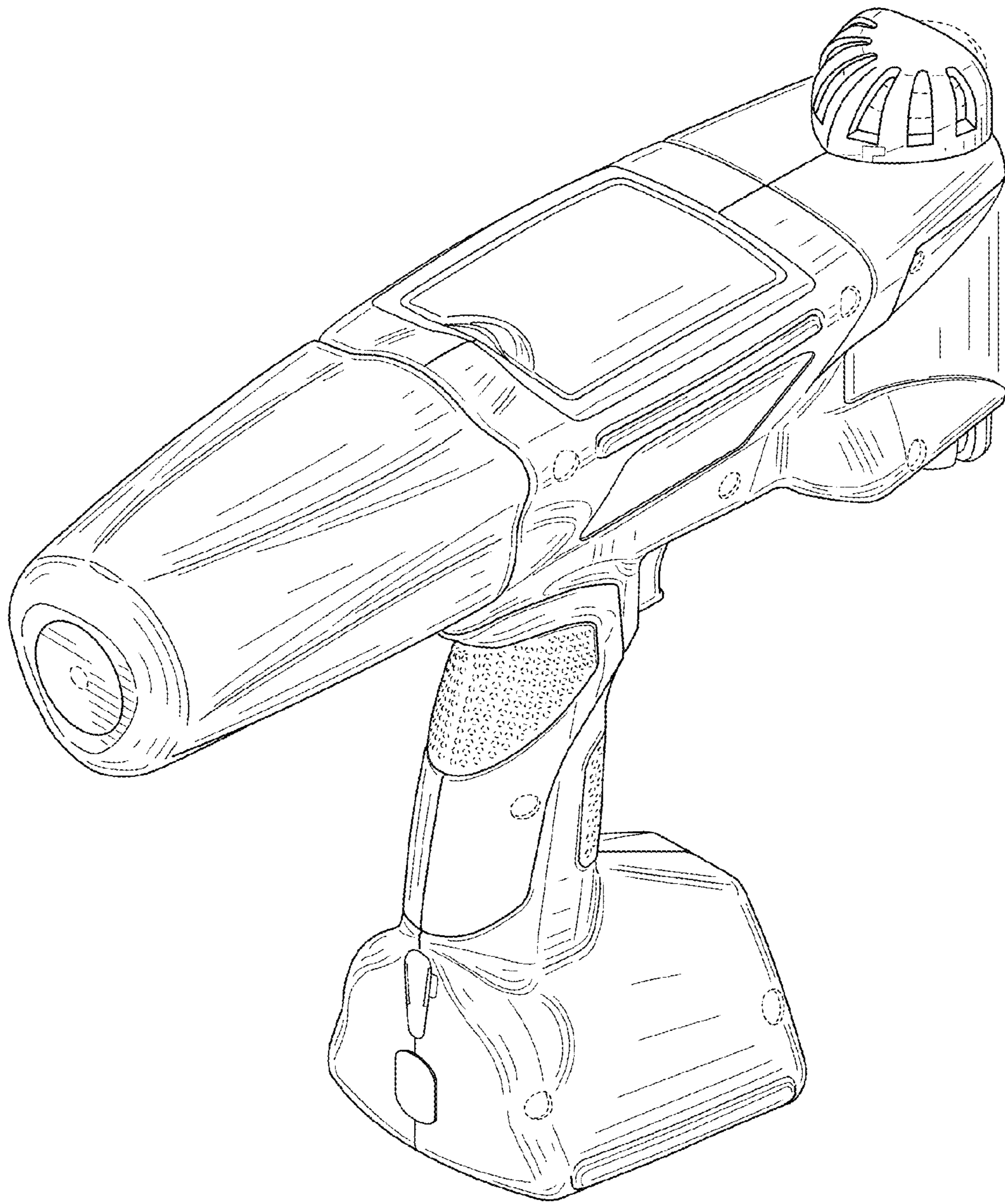


FIG. 8

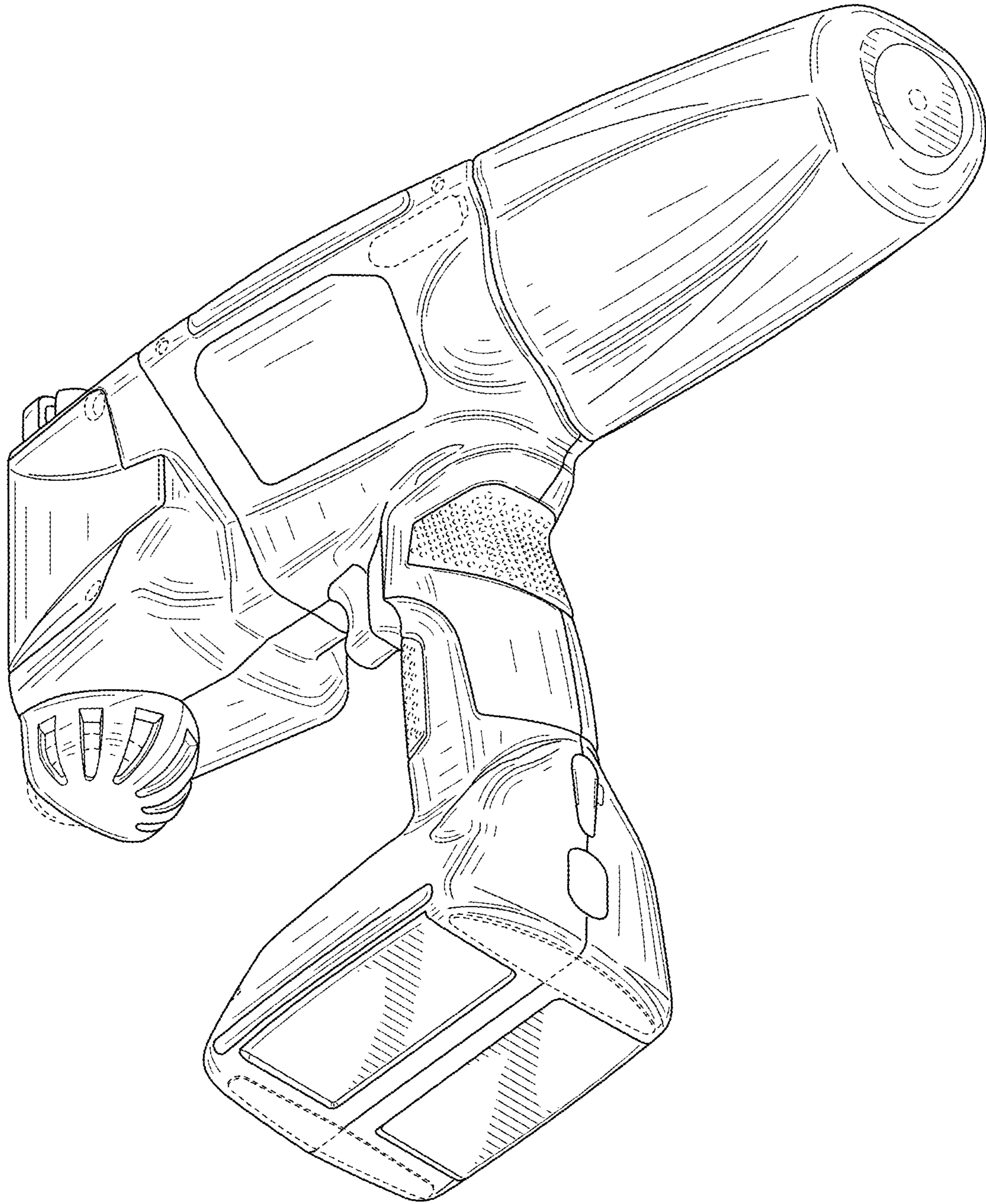


FIG. 9

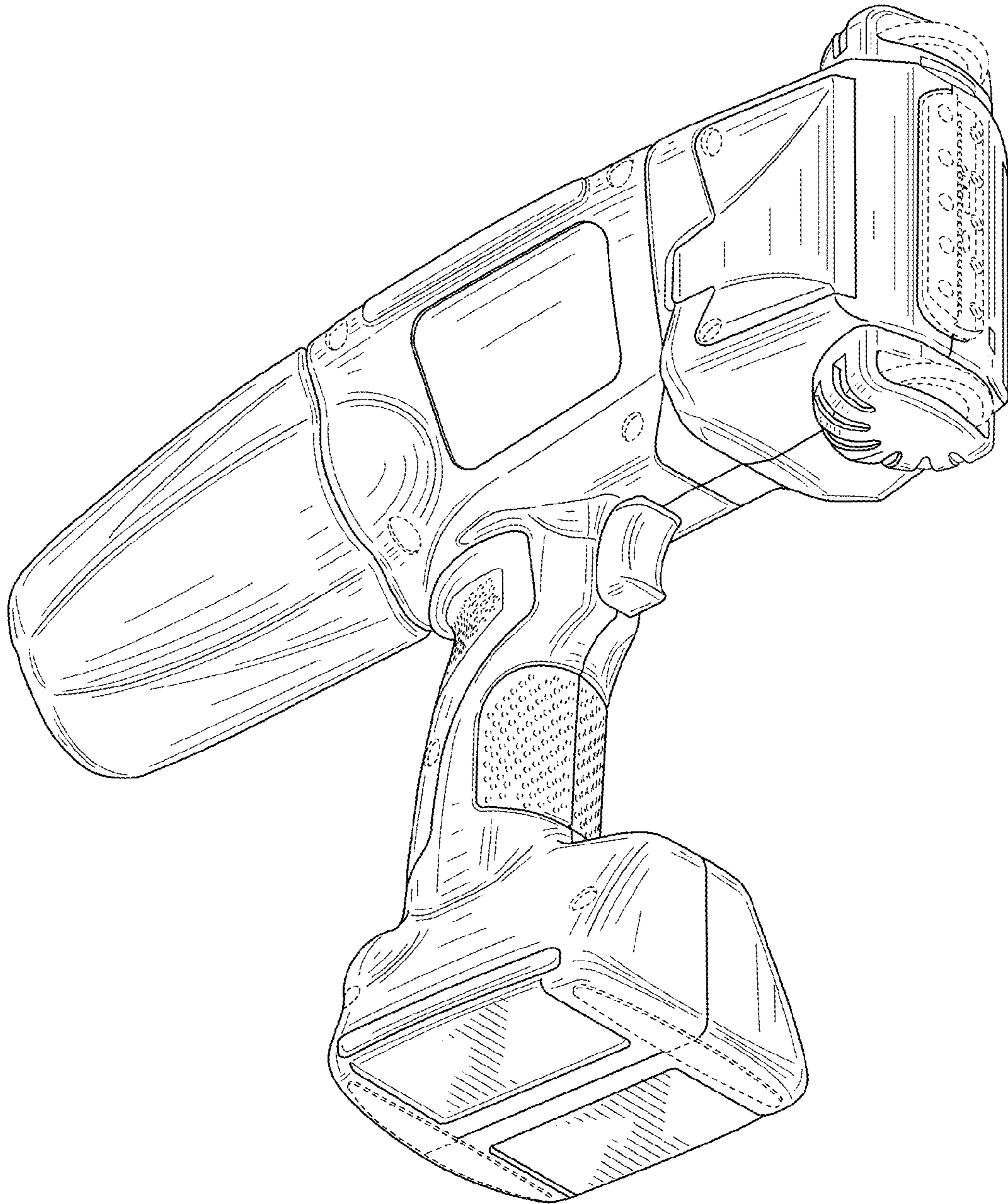


FIG. 10