



US00D708663S

(12) **United States Design Patent**  
**Huang**

(10) **Patent No.:** **US D708,663 S**

(45) **Date of Patent:** **\*\* Jul. 8, 2014**

(54) **TEMPLE SLEEVE FOR EYEGLASSES**

(71) Applicant: **Wen-Tse Huang**, Kaohsiung (TW)

(72) Inventor: **Wen-Tse Huang**, Kaohsiung (TW)

(\*\*) Term: **14 Years**

(21) Appl. No.: **29/434,658**

(22) Filed: **Oct. 16, 2012**

(51) **LOC (10) Cl.** ..... **16-06**

(52) **U.S. Cl.**  
USPC ..... **D16/338**; D16/336; D16/335; D16/330

(58) **Field of Classification Search**  
USPC ..... D16/101, 300–342, 900; D29/109–110;  
351/41, 44, 51–52, 62, 158, 92,  
351/103–123, 140–153, 63, 59, 45–46;  
2/426–432, 447–449, 441, 434–437,  
2/13, 15; D21/483, 659–661; D14/372  
See application file for complete search history.

(56) **References Cited**

**U.S. PATENT DOCUMENTS**

5,631,718 A \* 5/1997 Markovitz et al. .... 351/119  
5,933,862 A \* 8/1999 Landis ..... 2/12

D463,477 S \* 9/2002 Wiedner ..... D16/314  
6,745,396 B1 \* 6/2004 Landis et al. .... 2/12  
D644,260 S \* 8/2011 Yang ..... D16/315  
8,123,352 B2 \* 2/2012 Matsumoto et al. .... 351/158  
D670,754 S \* 11/2012 Kuo ..... D16/315

\* cited by examiner

*Primary Examiner* — Raphael Barkai

(74) *Attorney, Agent, or Firm* — Alan D. Kamrath; Kamrath IP Lawfirm, P.A.

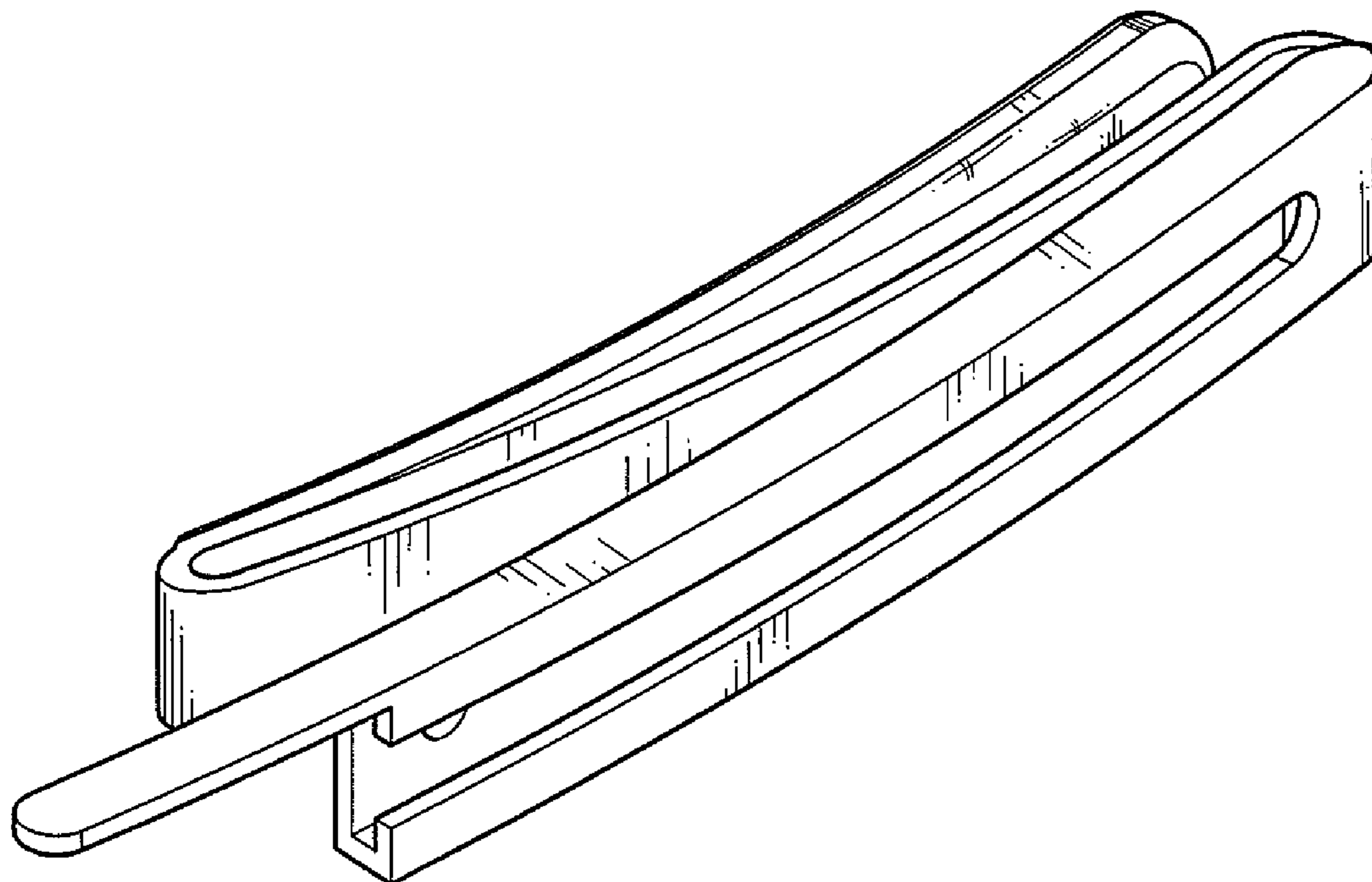
(57) **CLAIM**

The ornamental design for a temple sleeve for eyeglasses, as shown and described.

**DESCRIPTION**

FIG. 1 is a perspective view of a temple sleeve for eyeglasses showing my design;  
FIG. 2 is a front elevational view thereof;  
FIG. 3 is a rear elevational view thereof;  
FIG. 4 is a left elevational view thereof;  
FIG. 5 is a right elevational view thereof;  
FIG. 6 is a top plan view thereof; and,  
FIG. 7 is a bottom plan view thereof.

**1 Claim, 4 Drawing Sheets**



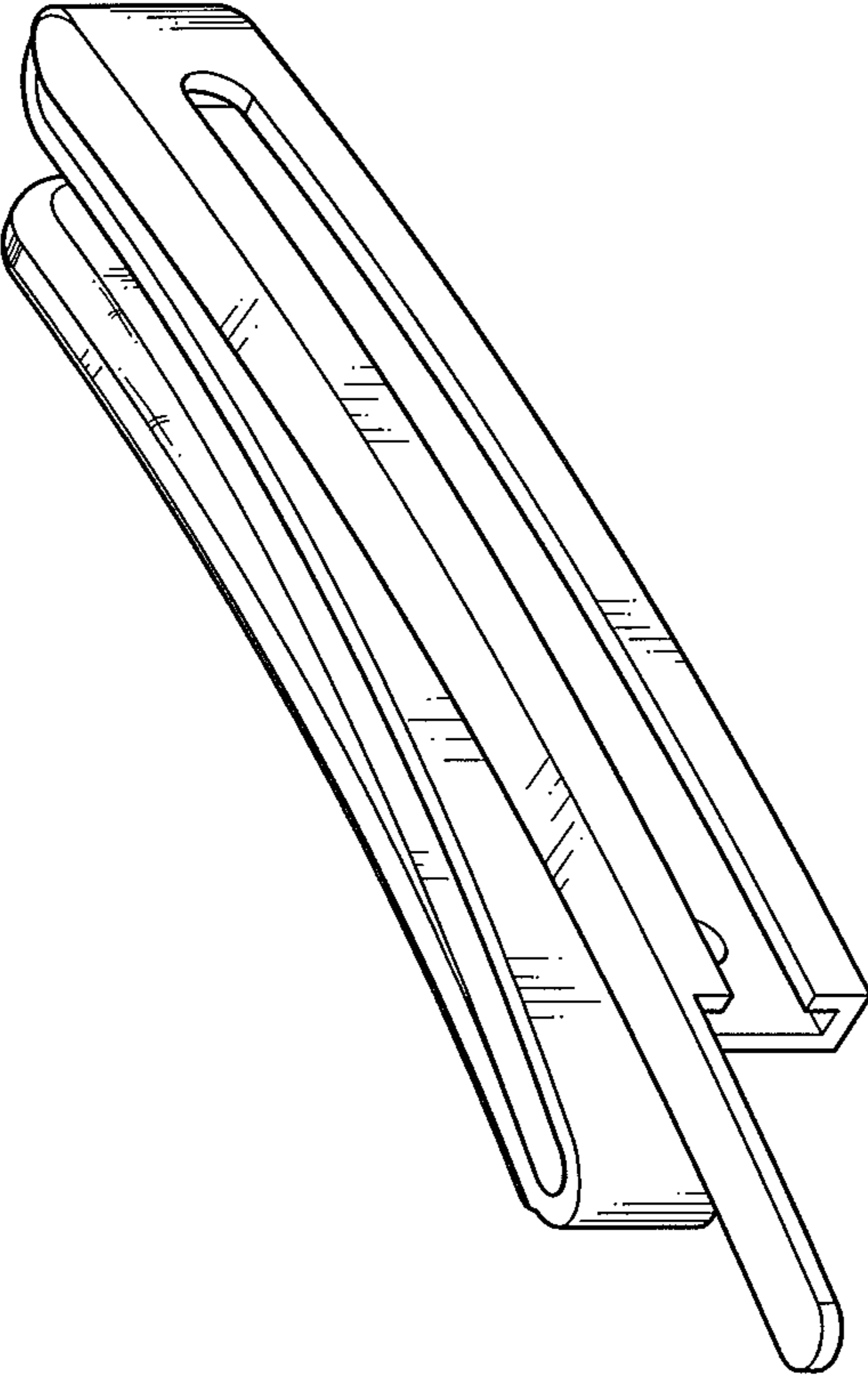


Fig. 1

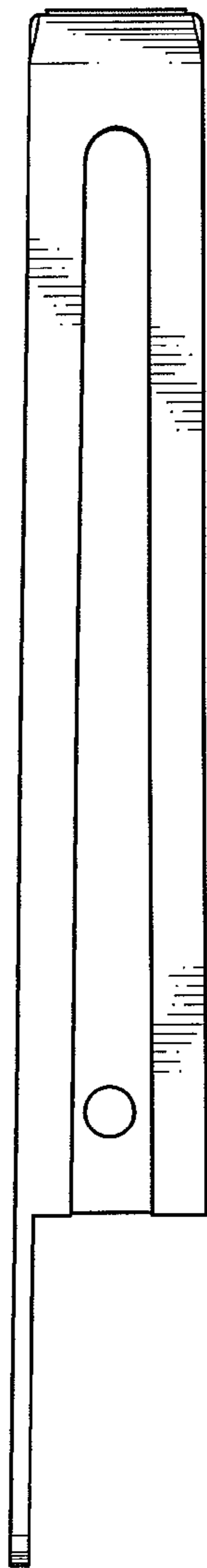


Fig. 2

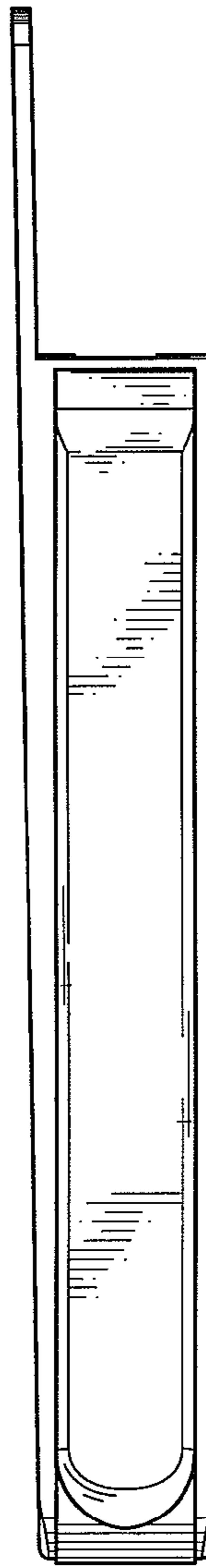


Fig. 3

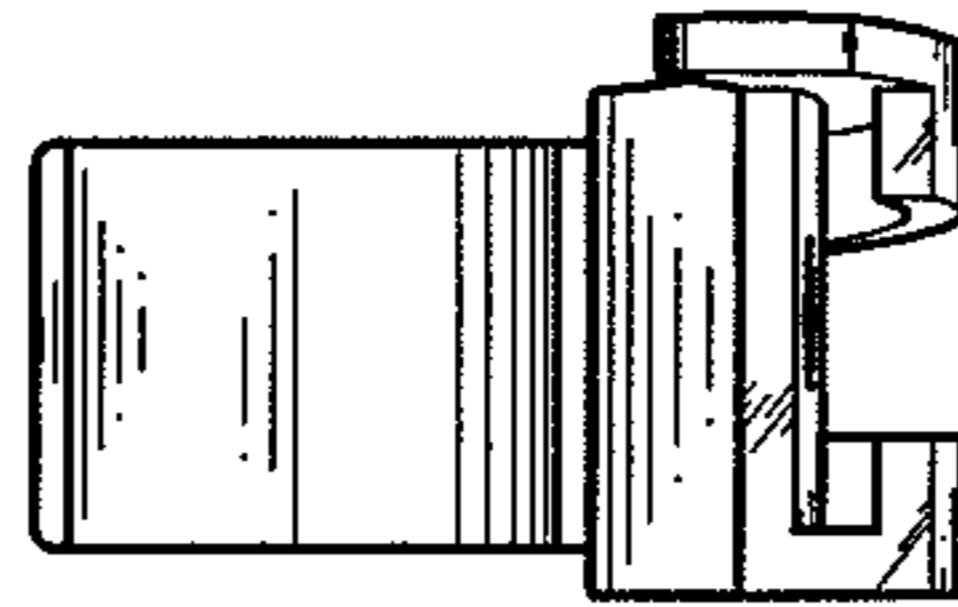


Fig. 4

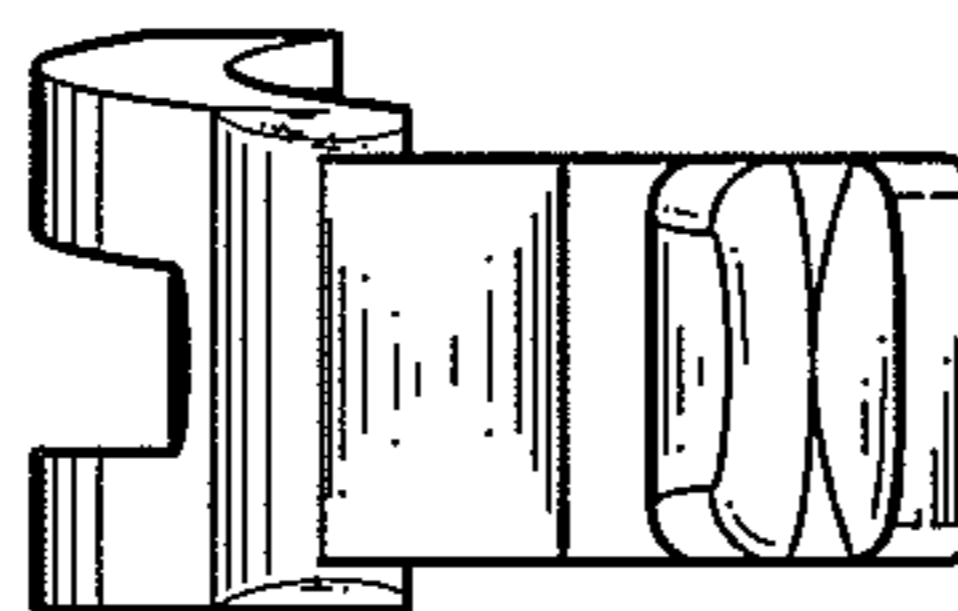


Fig. 5

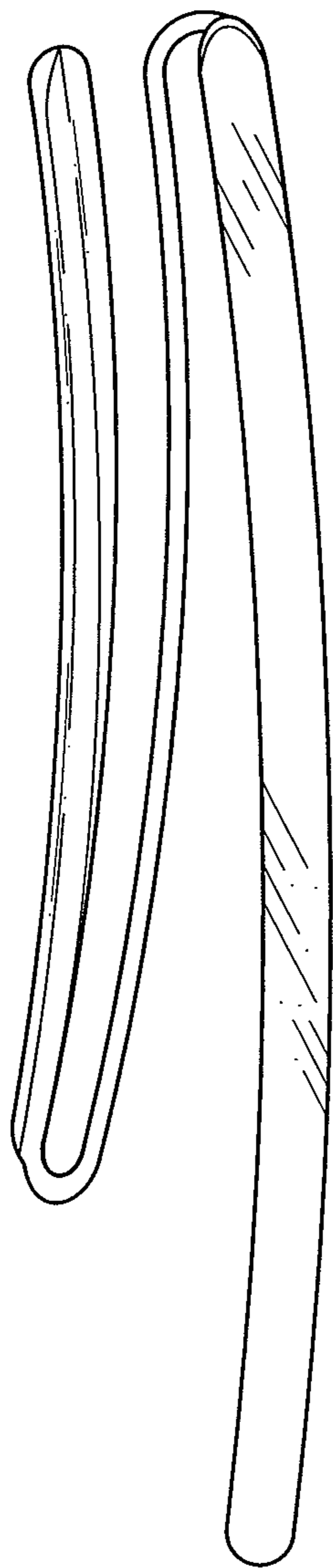


Fig. 6

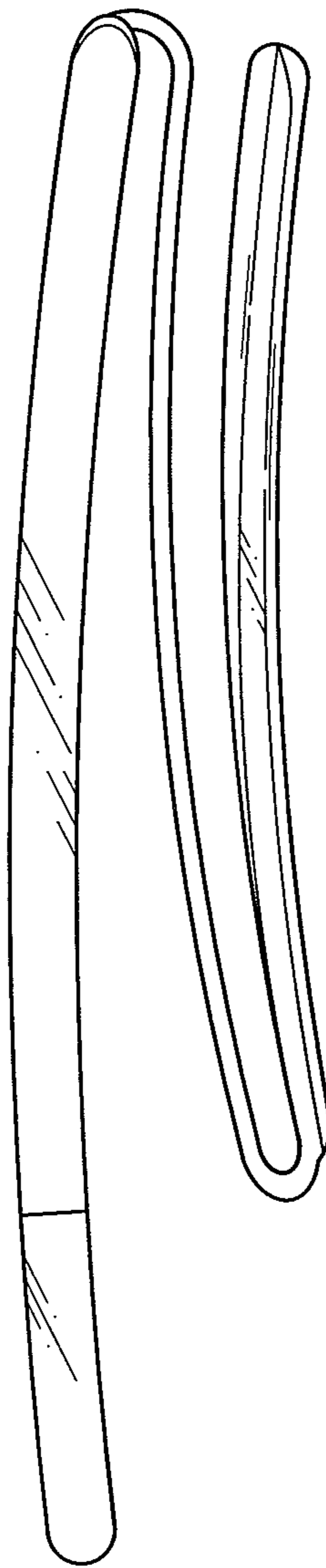


Fig. 7