



US00D708661S

(12) **United States Design Patent**
Daugherty

(10) **Patent No.:** **US D708,661 S**
(45) **Date of Patent:** **** Jul. 8, 2014**

(54) **EYEWEAR FOR LIMITED VISUAL EXPOSURE**

(71) Applicant: **Colin Daugherty**, Lone Tree, CO (US)

(72) Inventor: **Colin Daugherty**, Lone Tree, CO (US)

(**) Term: **14 Years**

(21) Appl. No.: **29/479,941**

(22) Filed: **Jan. 22, 2014**

(51) **LOC (10) Cl.** **16-06**

(52) **U.S. Cl.**
USPC **D16/312; D16/306**

(58) **Field of Classification Search**
USPC D16/101, 300–342, 900; D29/109–110;
351/41, 44, 51–52, 62, 158, 92,
351/103–123, 140–153, 63, 59, 45–46;
2/426–432, 447–449, 441, 434–437,
2/13, 15; D21/483, 659–661; D14/372
See application file for complete search history.

(56) **References Cited**

U.S. PATENT DOCUMENTS

1,337,036	A *	4/1920	Bergmann	2/12
1,868,362	A *	7/1932	Nowak	2/12
D127,373	S *	5/1941	Johnson	D16/312
2,395,297	A *	2/1946	Shock, Jr.	2/447
4,542,964	A	9/1985	Gilson et al.		
D310,227	S *	8/1990	Green	D16/314
5,245,709	A *	9/1993	Shipcott	2/425
D420,693	S *	2/2000	Haas	D16/312
6,275,998	B1	8/2001	Tromble		
7,165,837	B2	1/2007	Yokota et al.		
D544,013	S *	6/2007	Curci	D16/312
D547,789	S *	7/2007	Eaton	D16/312
D549,266	S *	8/2007	Shipcott	D16/312
8,075,131	B2	12/2011	Kusmec-Aguilar		
2010/0033671	A1	2/2010	Campo		

* cited by examiner

Primary Examiner — Raphael Barkai

(74) *Attorney, Agent, or Firm* — Mark D. Trenner; Trenner Law Firm

(57) **CLAIM**

The ornamental design for eyewear for limited visual exposure, as shown and described.

DESCRIPTION

FIG. 1 is a front view of the eyewear for limited visual exposure shown as it may be worn by a person, wherein stipple on the lens indicates a limited transparency material; FIG. 2 is a front view of the eyewear for limited visual exposure; FIG. 3 is a rear view of the eyewear for limited visual exposure; FIG. 4 is a left side view of the eyewear for limited visual exposure; FIG. 5 is a right side view of the eyewear for limited visual exposure; FIG. 6 is a top view of the eyewear for limited visual exposure; FIG. 7 is a bottom view of the eyewear for limited visual exposure; FIG. 8 shows the eyewear for limited visual exposure as the straps may be unassembled from the lens; and, FIG. 9 shows a rear view of the eyewear for limited visual exposure (as in FIG. 3), as a user may view the surrounding environment through the lens of the eyewear, wherein the environment seen through the lens of the eyewear is blurred relative to the detail of the environment seen outside of the lens of the eyewear; and wherein the people and walls are shown as environment and do not form part of the design and therefore are shown with broken lines.

1 Claim, 7 Drawing Sheets

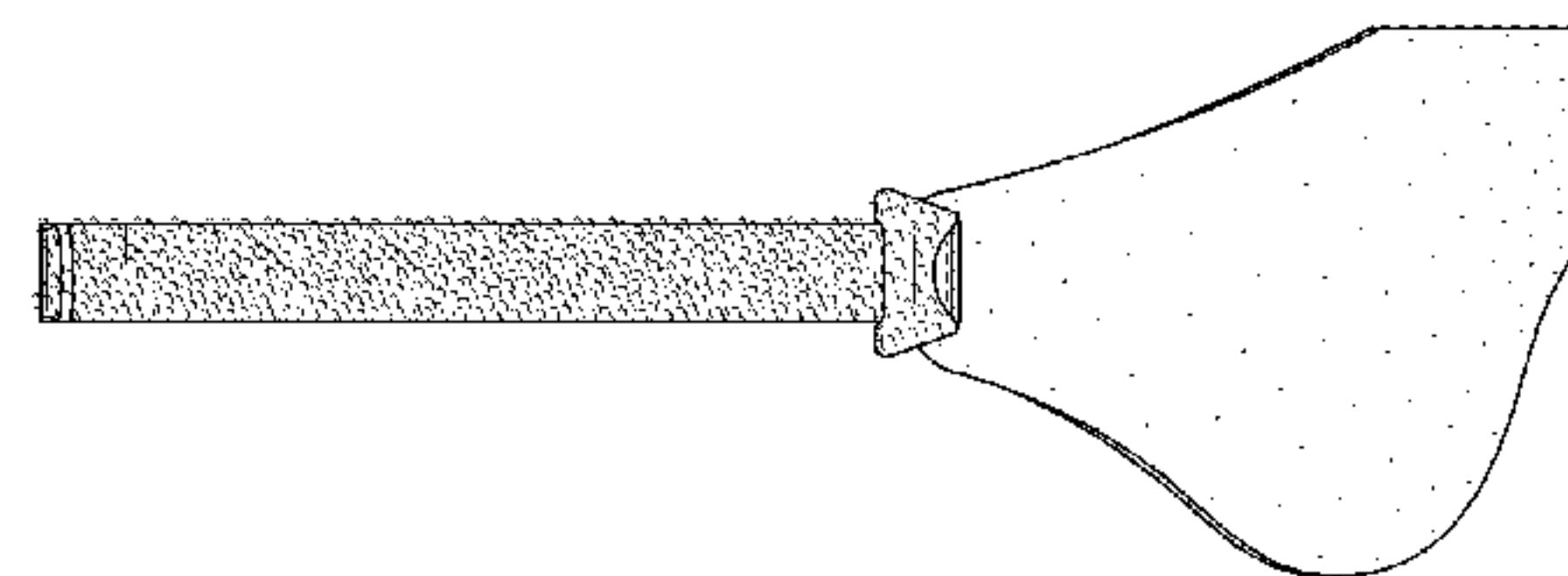
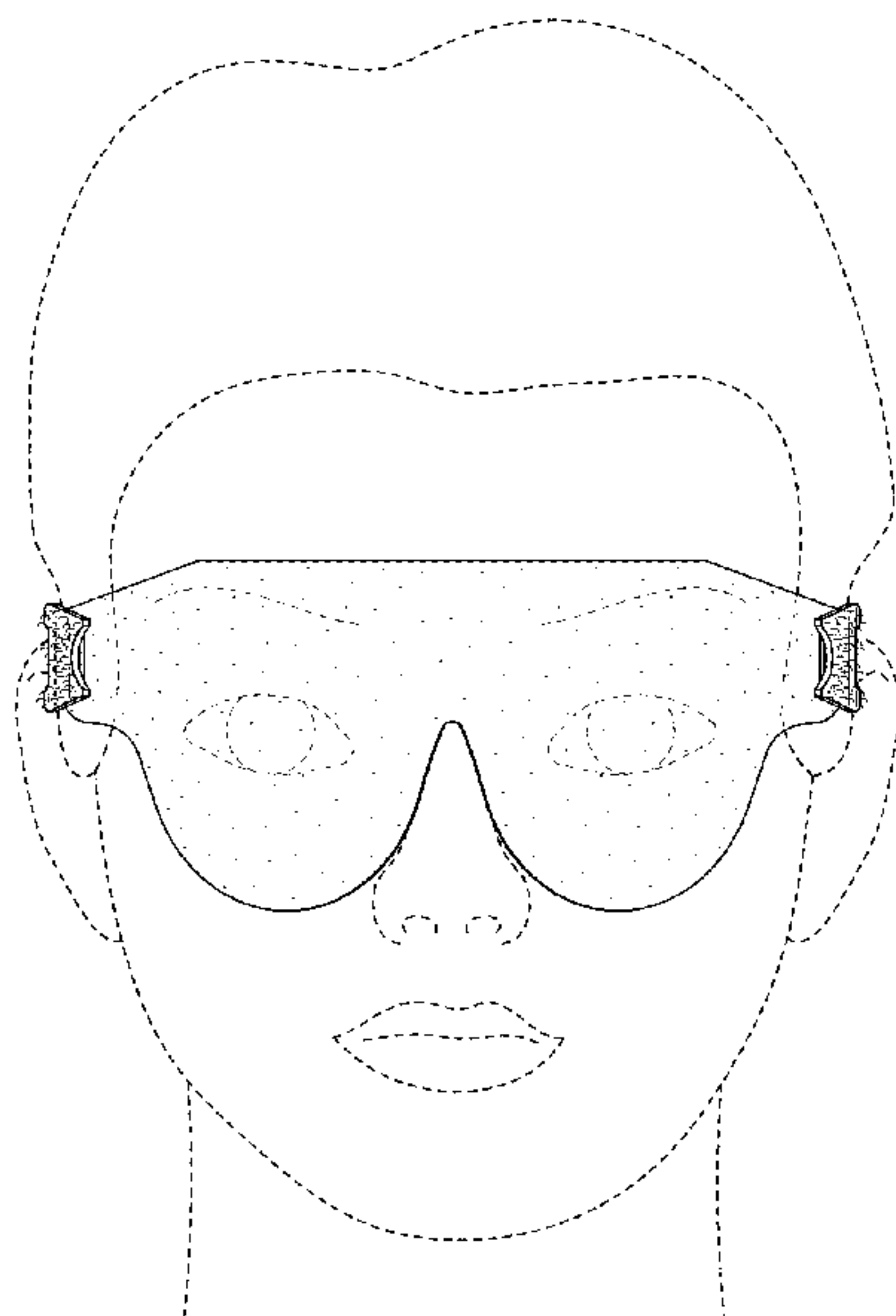


FIG. 2

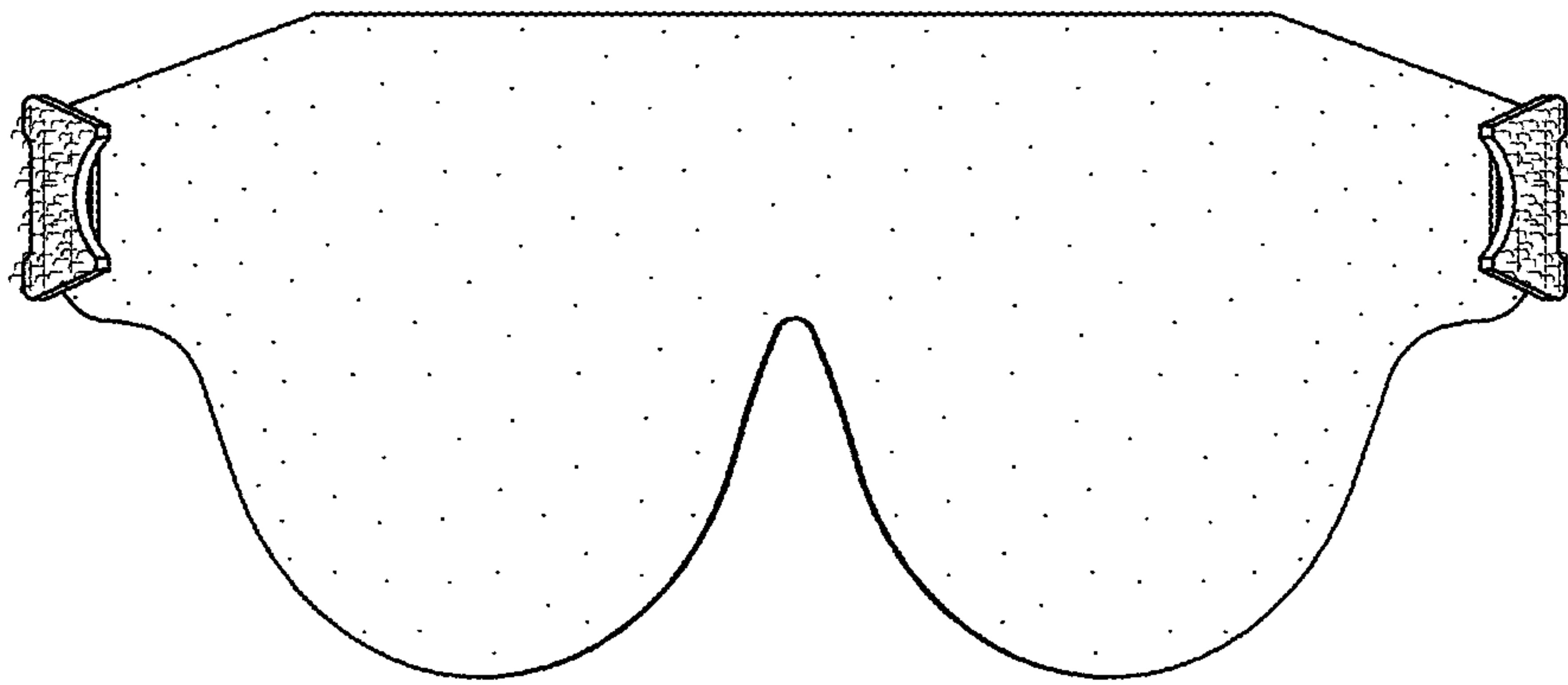


FIG. 3

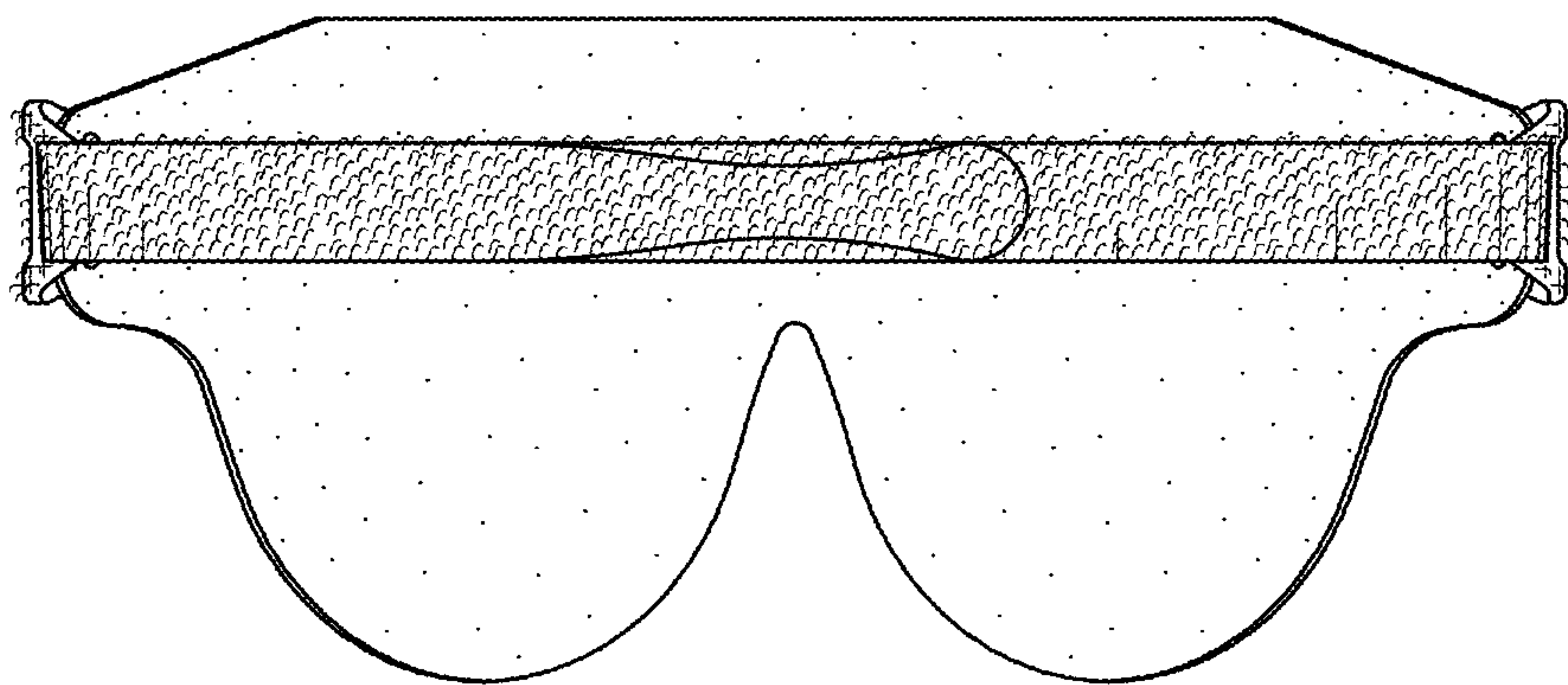


FIG. 4

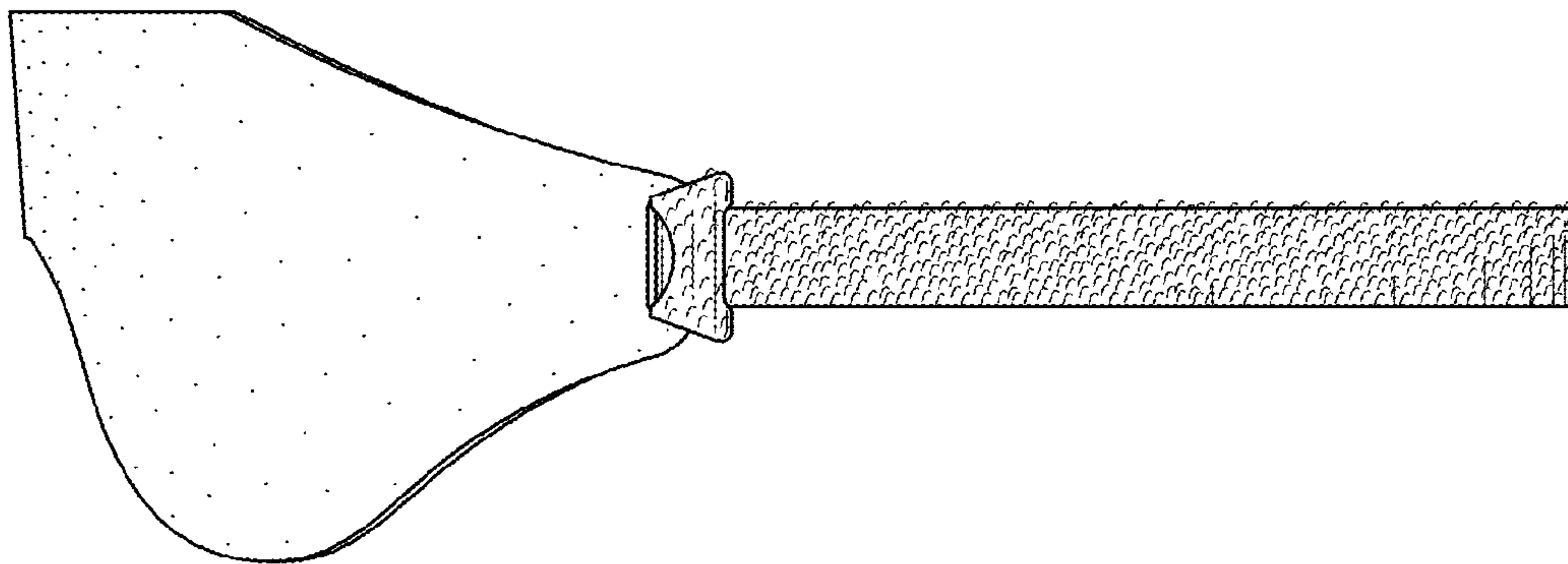


FIG. 5

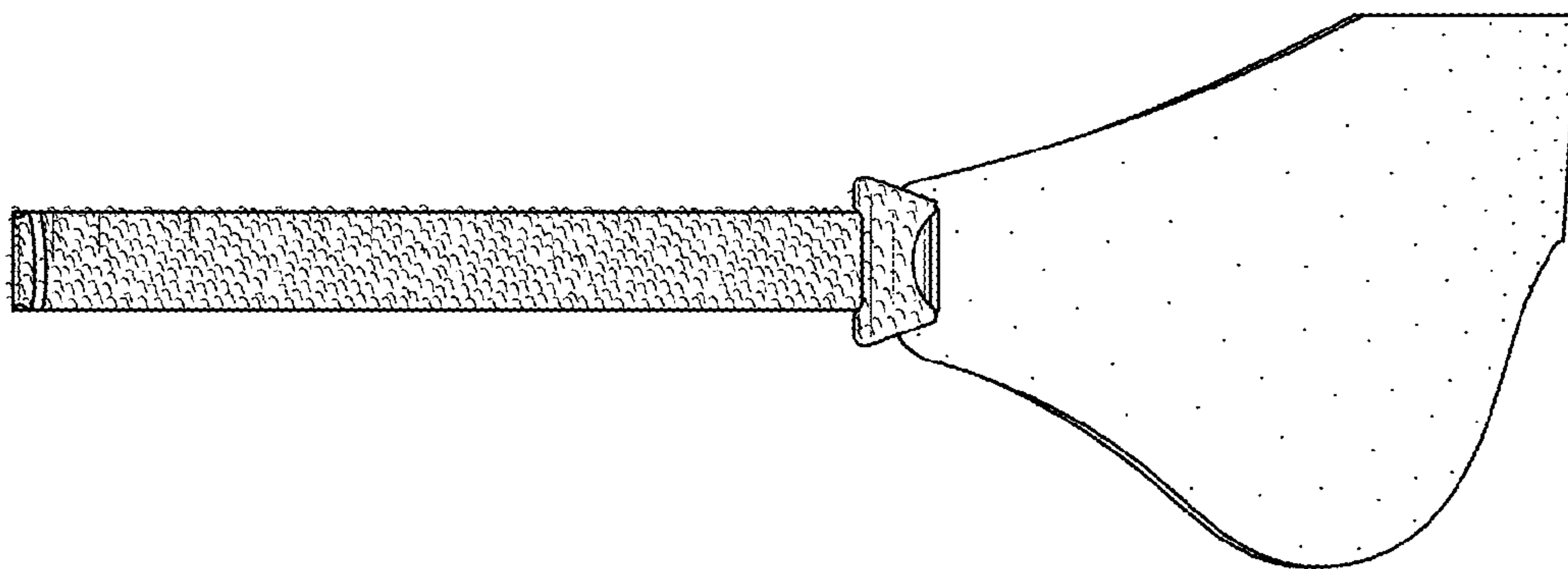


FIG. 6

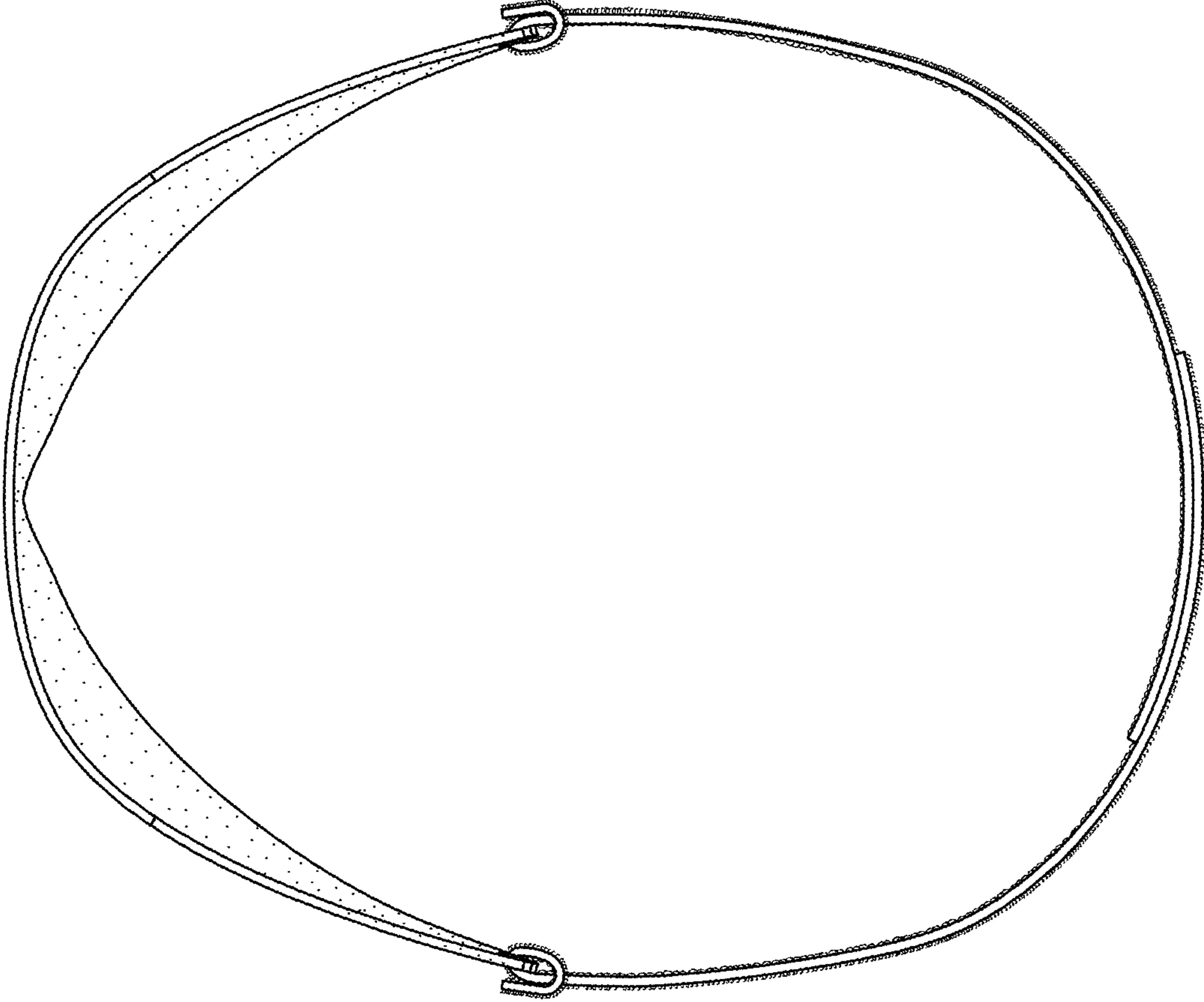


FIG. 7

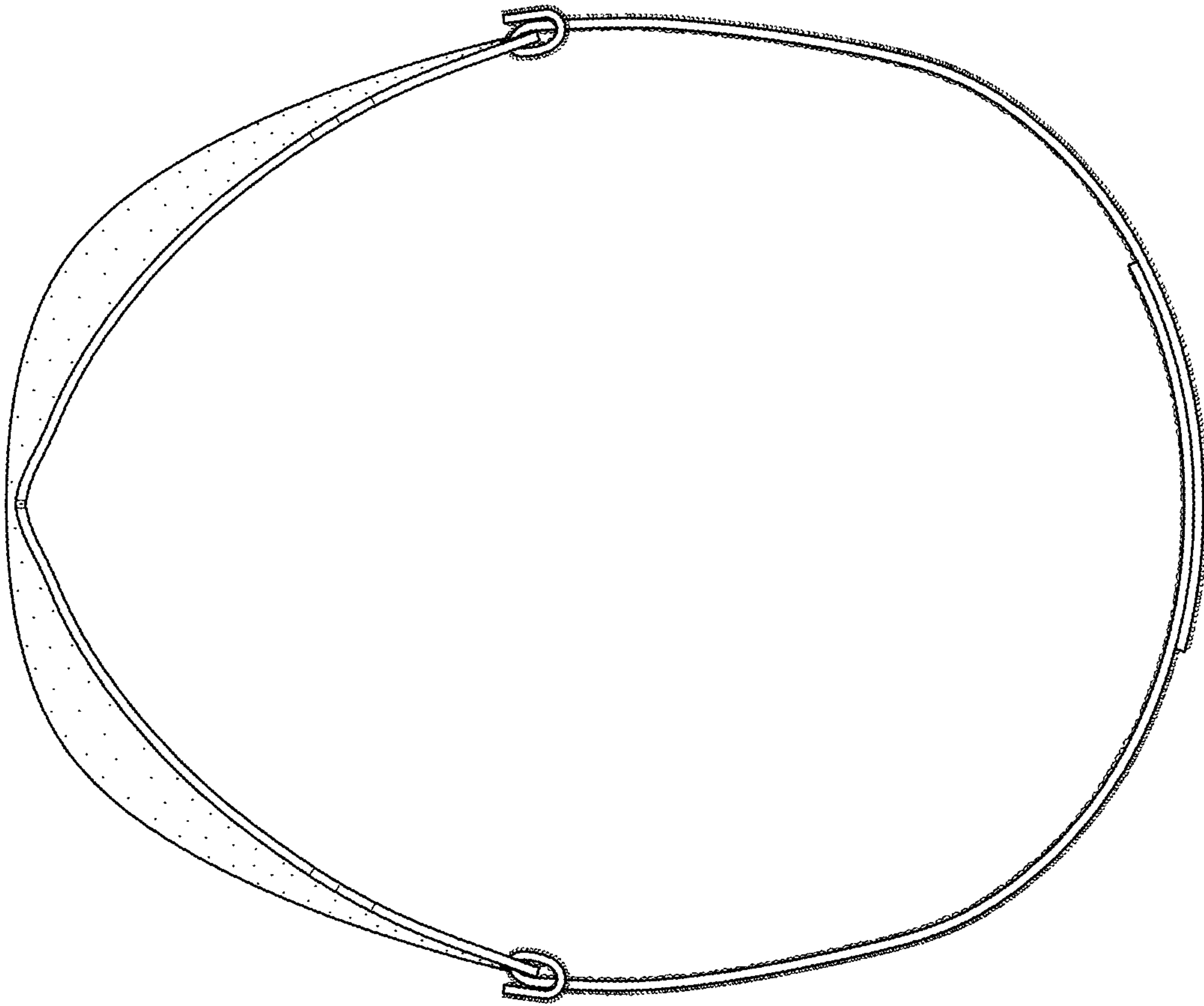


FIG. 8

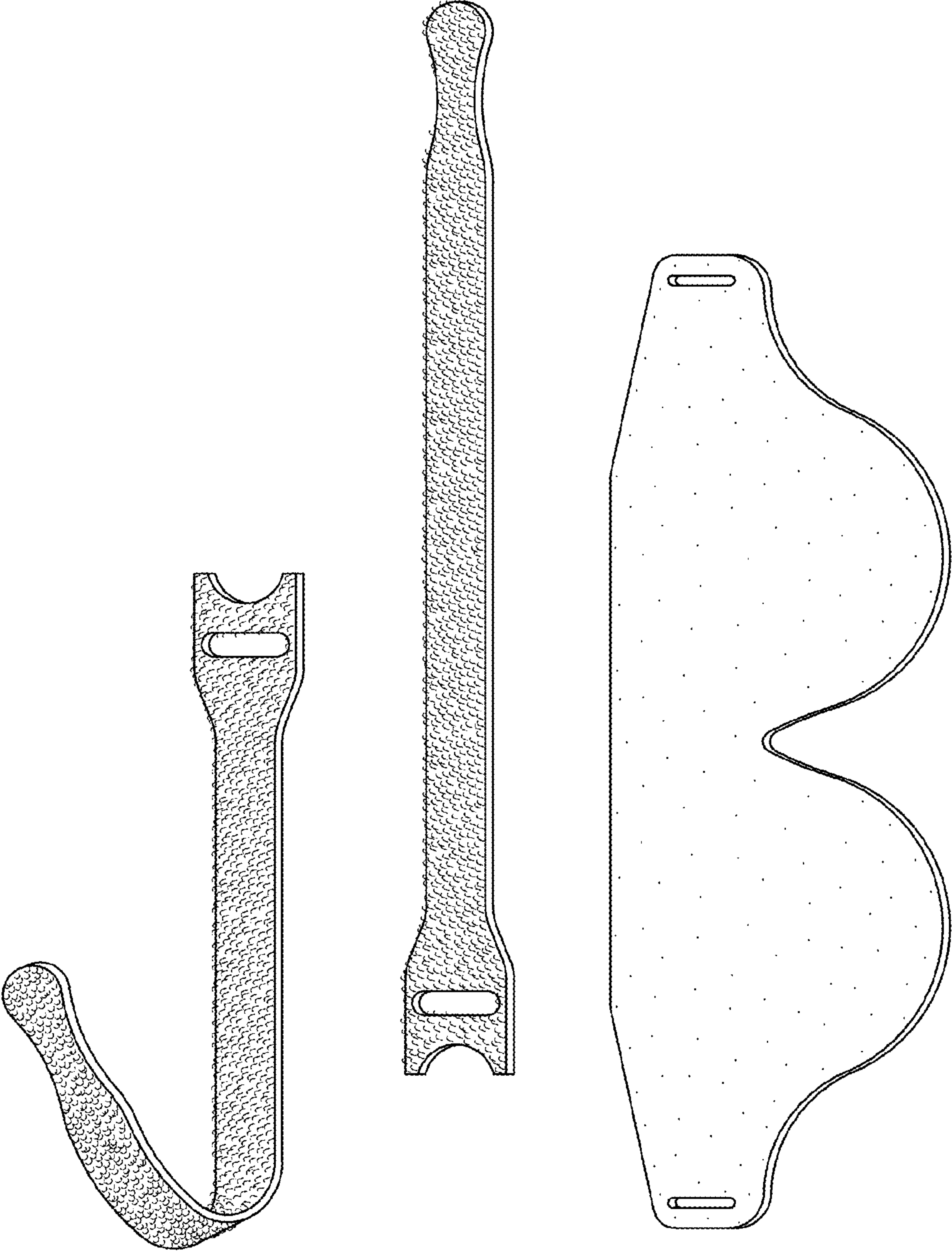


FIG. 9

