



US00D708659S

(12) **United States Design Patent**
Holloway

(10) **Patent No.:** **US D708,659 S**

(45) **Date of Patent:** **** Jul. 8, 2014**

(54) **EYEWEAR**

(75) Inventor: **Simon Holloway**, London (GB)

(73) Assignee: **J. Choo Limited**, London (GB)

(**) Term: **14 Years**

(21) Appl. No.: **29/424,724**

(22) Filed: **Jun. 14, 2012**

(30) **Foreign Application Priority Data**

Dec. 15, 2011 (EP) 001963273-0009

(51) **LOC (10) Cl.** **16-06**

(52) **U.S. Cl.**
USPC **D16/300**

(58) **Field of Classification Search**
USPC D14/330, 202, 372, 205; D16/300, 100,
D16/341, 338, 323, 309, 336, 326, 325, 235,
D16/327, 330, 136, 335, 321; D8/24, 25,
D8/16, 86, 94, 307, 308; D24/157;
D29/105-107, 109; 455/344; 351/153,
351/158, 243; 348/51; 349/67

See application file for complete search history.

(56) **References Cited**

U.S. PATENT DOCUMENTS

D342,081 S * 12/1993 Fynan D16/335
D349,123 S * 7/1994 Cooley et al. D16/309
D636,428 S * 4/2011 Della Valle et al. D16/326
D654,946 S * 2/2012 Markovitz et al. D16/326
D667,045 S * 9/2012 Gonzalez D16/326

D675,245 S * 1/2013 Versace D16/321
D677,315 S * 3/2013 Maier D16/323
D689,117 S * 9/2013 Ho D16/323

OTHER PUBLICATIONS

Gucci 241286 sunglasses beige Medium Round Frame by Glasses79.com date unknown at <http://www.glasses79.com/Medium-Round-Frame-With-Bamboo-Detail-On-Temple-White-Gucci-Sunglasses-39143.html>.*

Design U.S. Appl. No. 29/426,088, filed Jun. 29, 2012, first named inventor is Laurence Kuster.

Design U.S. Appl. No. 29/426,078, filed Jun. 29, 2012, first named inventor is Laurence Kuster.

* cited by examiner

Primary Examiner — Robert M Spear

Assistant Examiner — Eliza Bennett-Hattan

(74) *Attorney, Agent, or Firm* — Fross Zelnick Lehrman & Zissu, P.C.; Lawrence E. Apolzon, Esq.

(57) **CLAIM**

The ornamental design for eyewear, as shown and described.

DESCRIPTION

FIG. 1 is a front perspective view of the eyewear showing my new design;

FIG. 2 is a left side view of the eyewear shown in FIG. 1;

FIG. 3 is a right side view of the eyewear shown in FIG. 1;

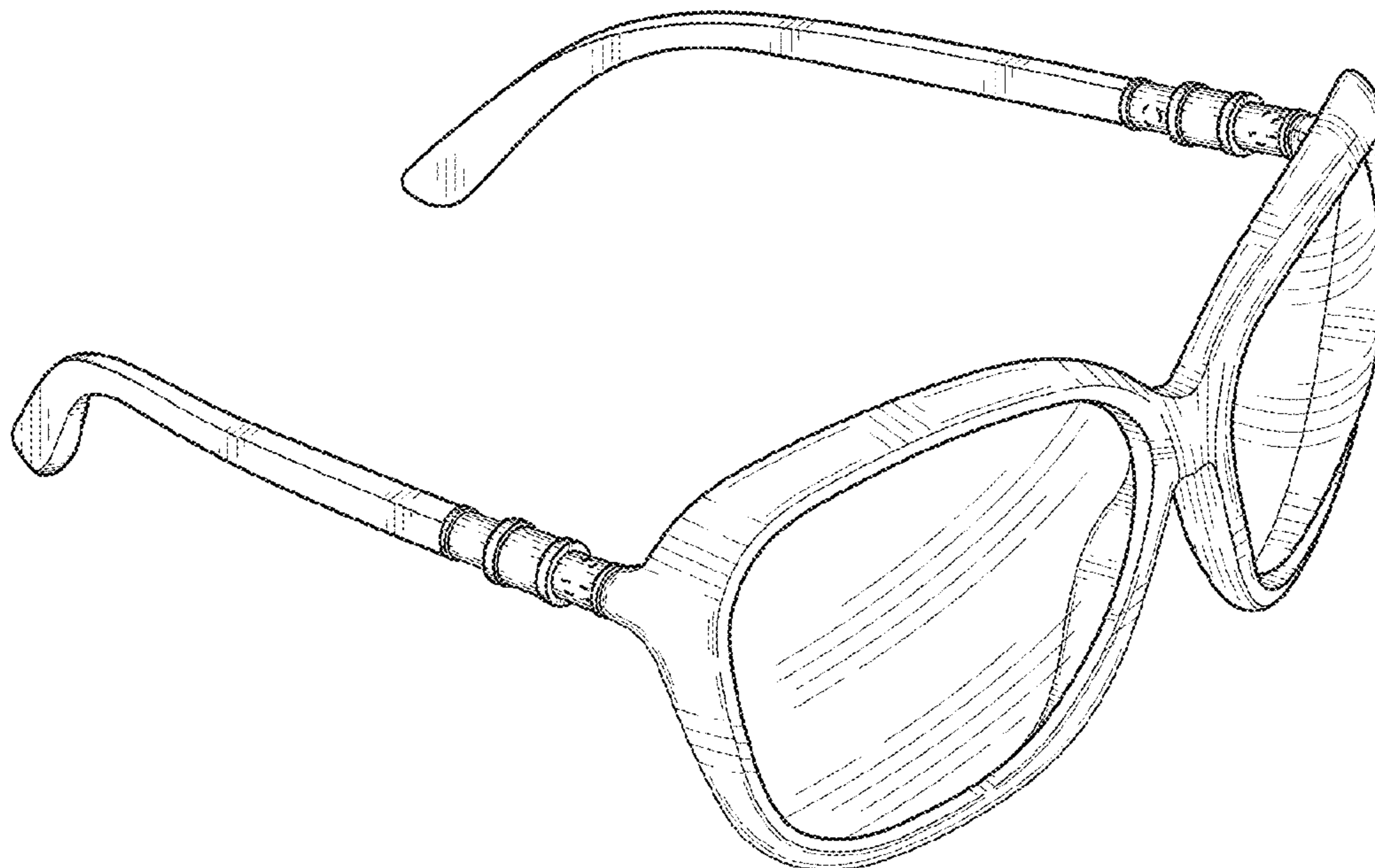
FIG. 4 is a front view of the eyewear shown in FIG. 1;

FIG. 5 is a rear view of the eyewear shown in FIG. 1;

FIG. 6 is a top view of the eyewear shown in FIG. 1; and,

FIG. 7 is a bottom view of the eyewear shown in FIG. 1.

1 Claim, 5 Drawing Sheets



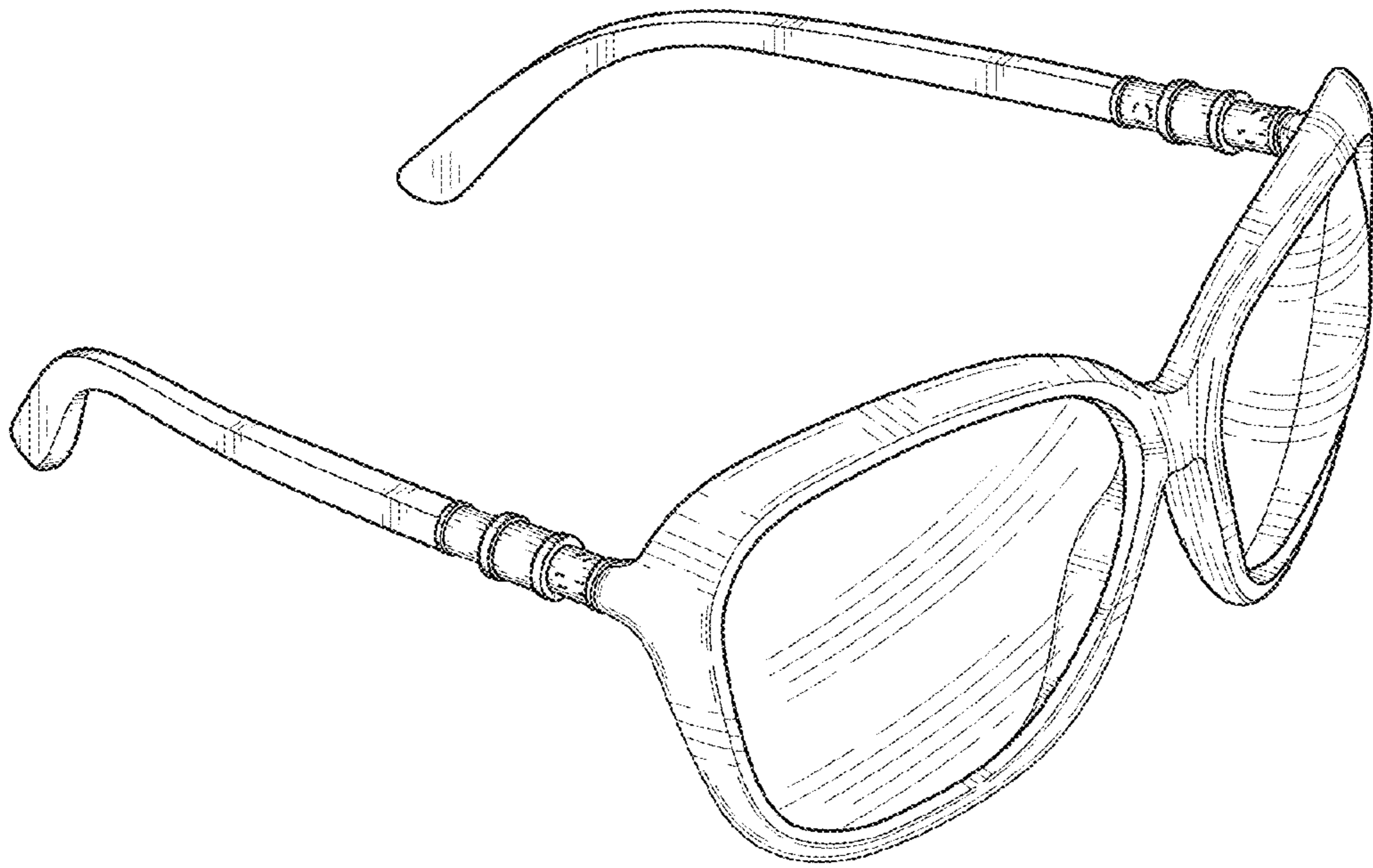


FIG. 1

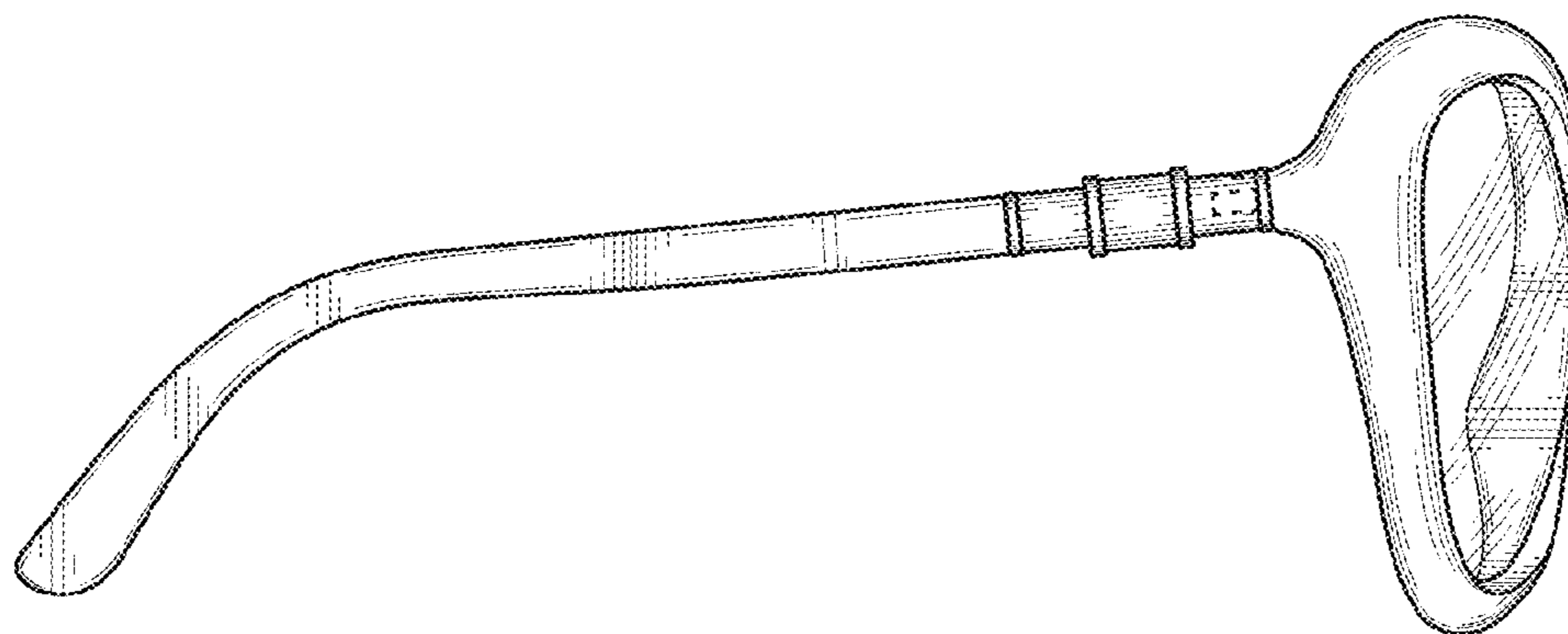


FIG. 2

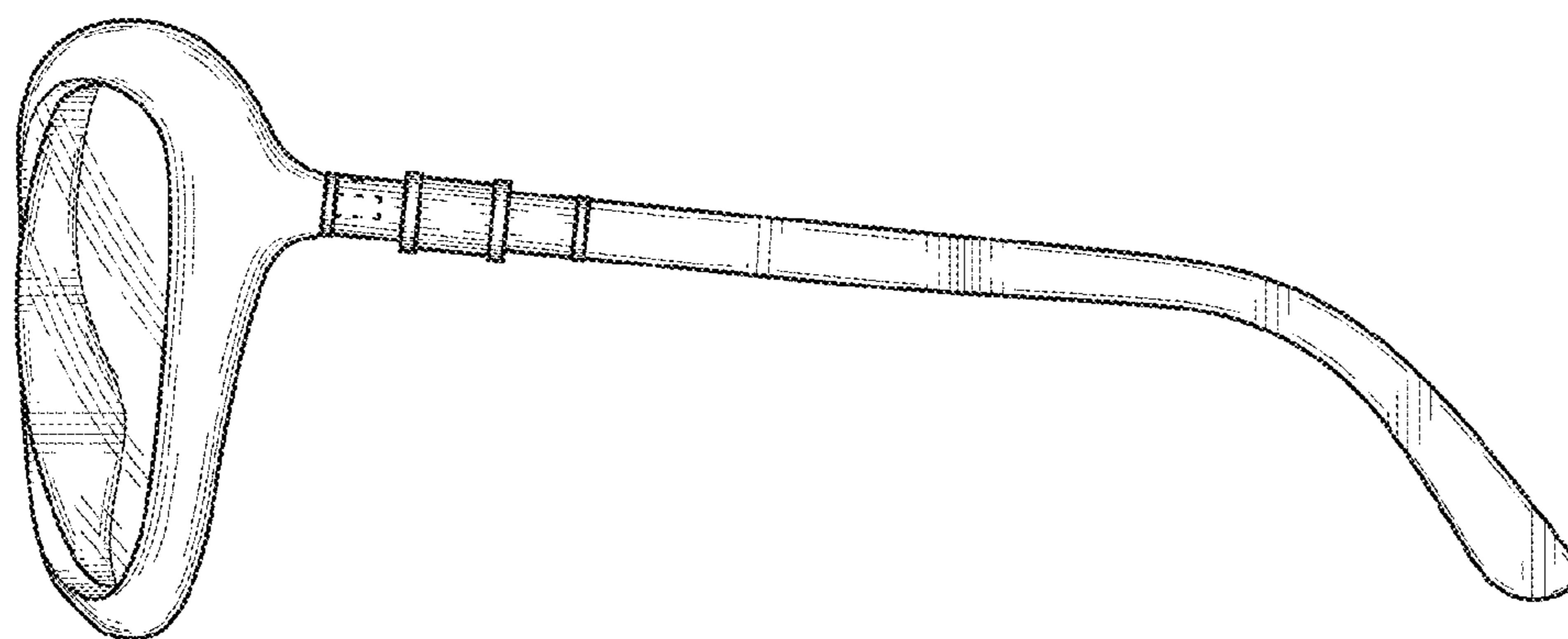


FIG. 3

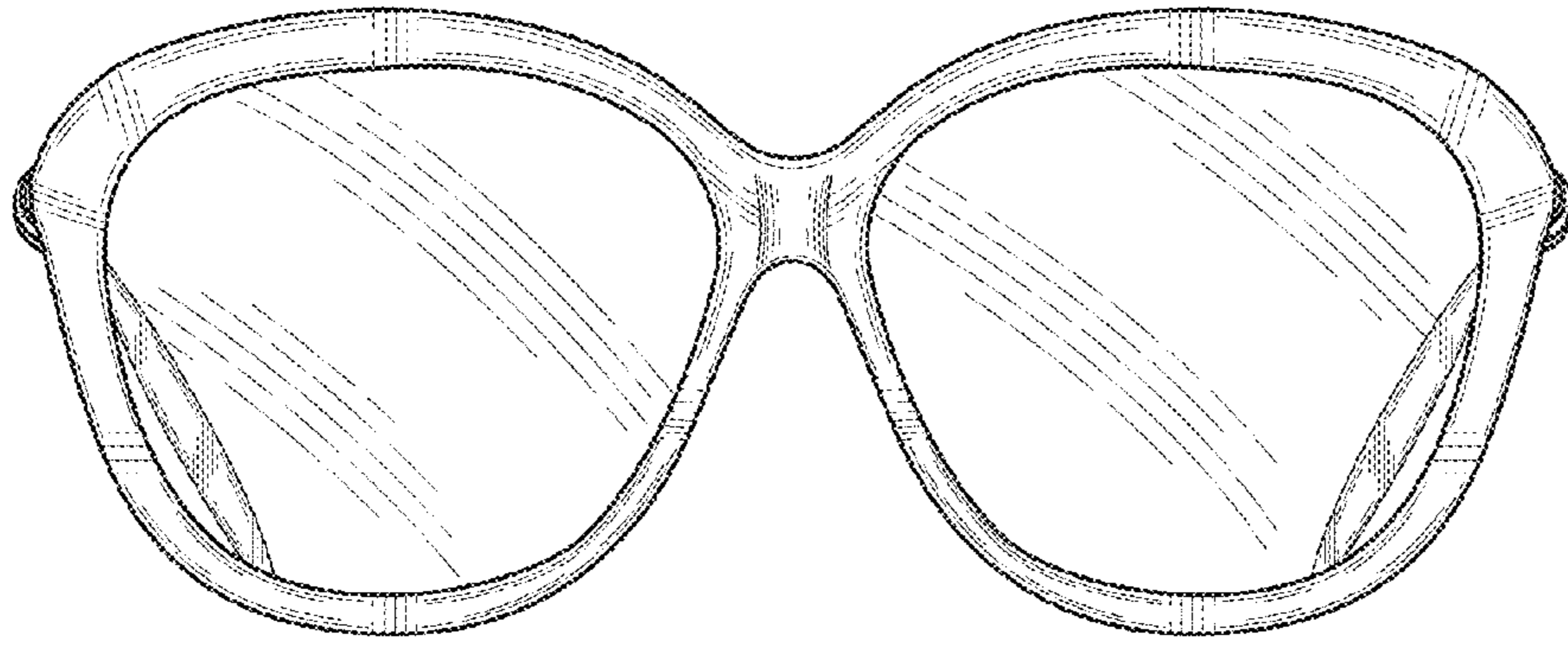


FIG. 4

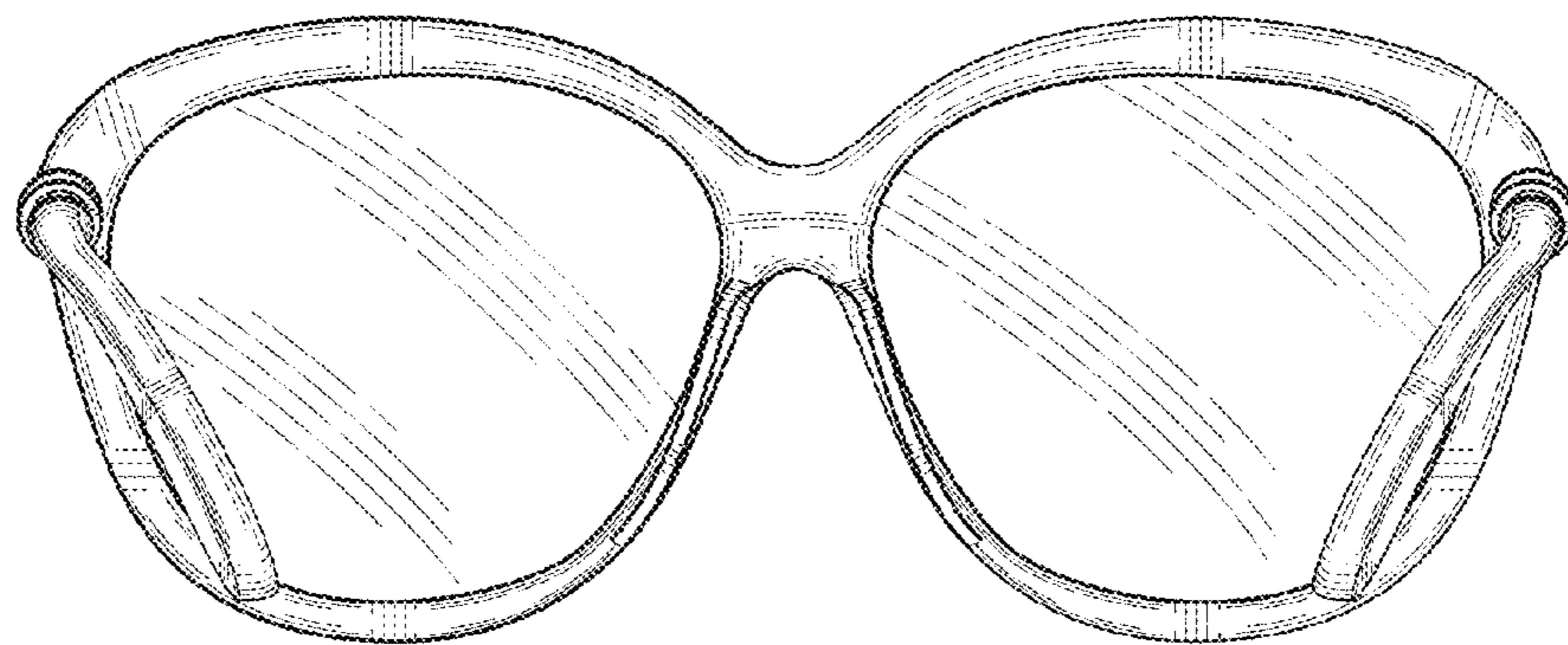


FIG. 5

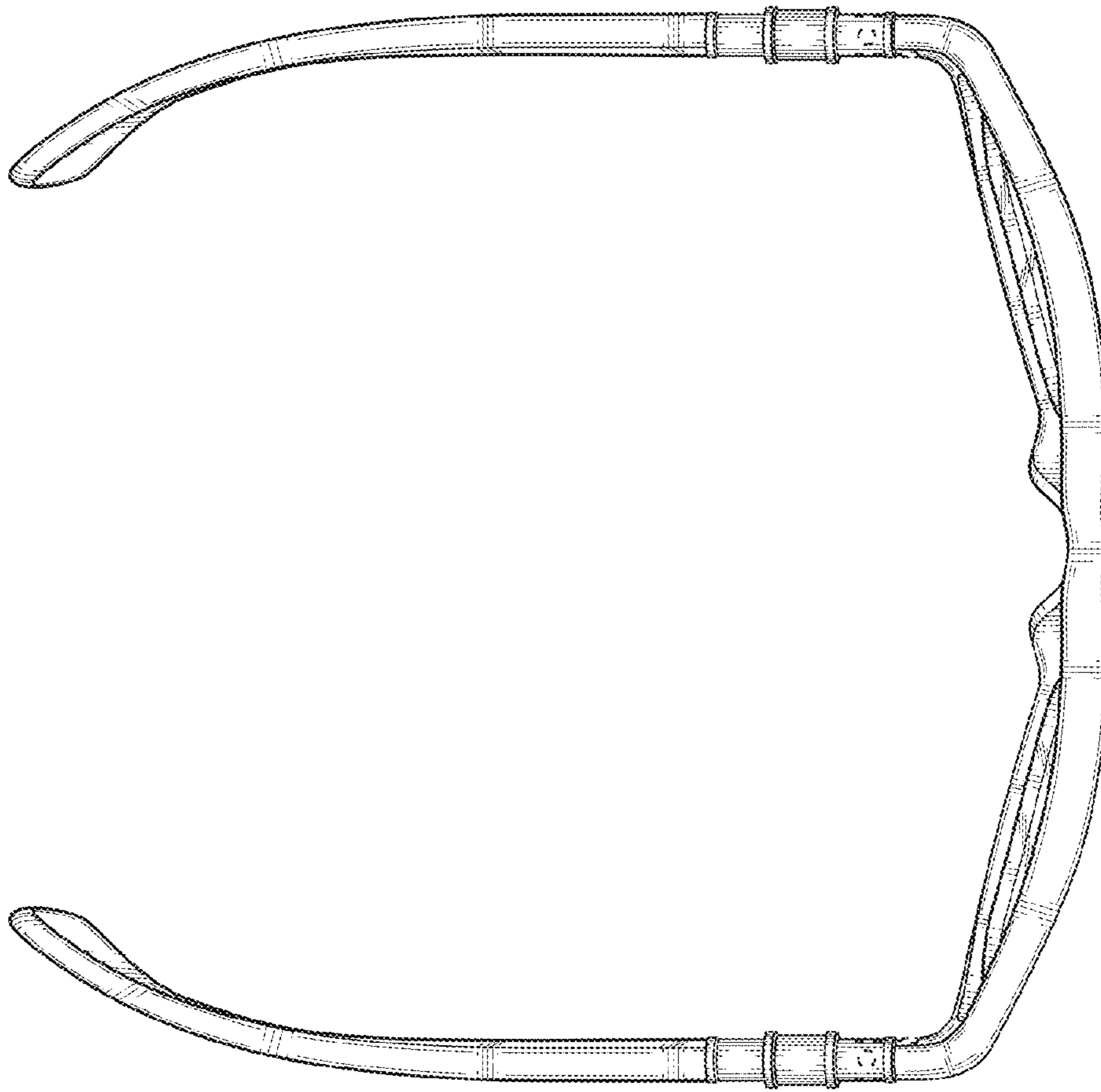


FIG. 6

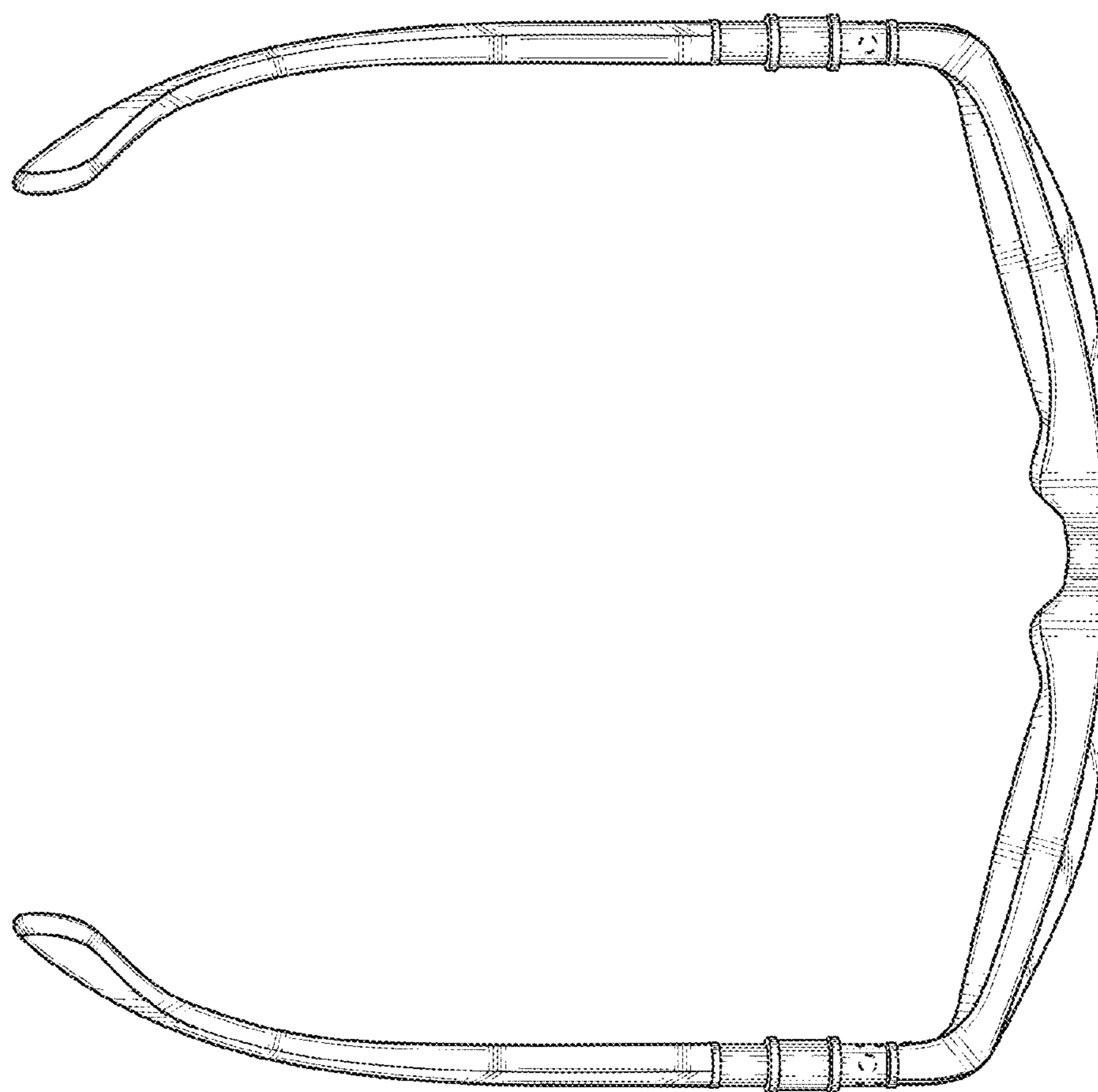


FIG. 7