



US00D708656S

(12) **United States Design Patent**  
**Shapir**

(10) **Patent No.:** **US D708,656 S**  
(45) **Date of Patent:** **\*\* Jul. 8, 2014**

(54) **PHOTOGRAPHIC LIGHT DIRECTOR**

(76) Inventor: **Yishai Shapir**, Edgewater, NJ (US)

(\*\*) Term: **14 Years**

(21) Appl. No.: **29/419,519**

(22) Filed: **Apr. 29, 2012**

7,748,858	B2	7/2010	Fong	
7,748,875	B2	7/2010	Fong	
D623,681	S	9/2010	Fong	
7,946,719	B2	5/2011	Fong	
8,113,673	B2*	2/2012	Fong	362/16
2006/0109641	A1	5/2006	Fong	
2007/0041722	A1	2/2007	Fong	
2007/0286856	A1	12/2007	Brown	
2008/0181598	A1*	7/2008	Kobre	396/174
2008/0204883	A1	8/2008	Fong	
2008/0259588	A1	10/2008	Fong	
2009/0129046	A1	5/2009	Fong	

(Continued)

**Related U.S. Application Data**

(63) Continuation-in-part of application No. 13/158,403, filed on Jun. 11, 2011.

(51) **LOC (10) Cl.** ..... **16-05**

(52) **U.S. Cl.**  
USPC ..... **D16/239**; D16/238

(58) **Field of Classification Search**  
USPC ..... D16/219, 237, 238, 239, 240; D26/118,  
D26/119; 362/3, 16-18, 322; 396/4, 174,  
396/544  
See application file for complete search history.

(56) **References Cited**

**U.S. PATENT DOCUMENTS**

3,479,497	A *	11/1969	Wolff	362/10
D223,730	S *	5/1972	Bullock et al.	D16/239
4,066,885	A *	1/1978	Weinberg	362/18
4,078,170	A *	3/1978	Sloop	362/322
D312,471	S *	11/1990	Couch	D16/239
D373,132	S *	8/1996	Baillie-Hamilton et al.	D16/237
5,778,264	A *	7/1998	Kean	396/174
D547,353	S *	7/2007	Couch	D16/239
7,360,909	B1 *	4/2008	Hughes	362/18
7,380,966	B2	6/2008	Fong	
D578,151	S	10/2008	Fong	
D588,182	S	3/2009	Fong	
D591,323	S *	4/2009	Fong	D16/237
D591,785	S	5/2009	Fong	
D594,893	S	6/2009	Fong	
D605,217	S *	12/2009	Kobre	D16/237
D607,915	S	1/2010	Fong	

**OTHER PUBLICATIONS**

“Flashright Product Description”, 1-4, Jun. 9, 2011.

(Continued)

*Primary Examiner* — Philip S Hyder  
*Assistant Examiner* — Darlington Ly  
(74) *Attorney, Agent, or Firm* — Gordon Kessler

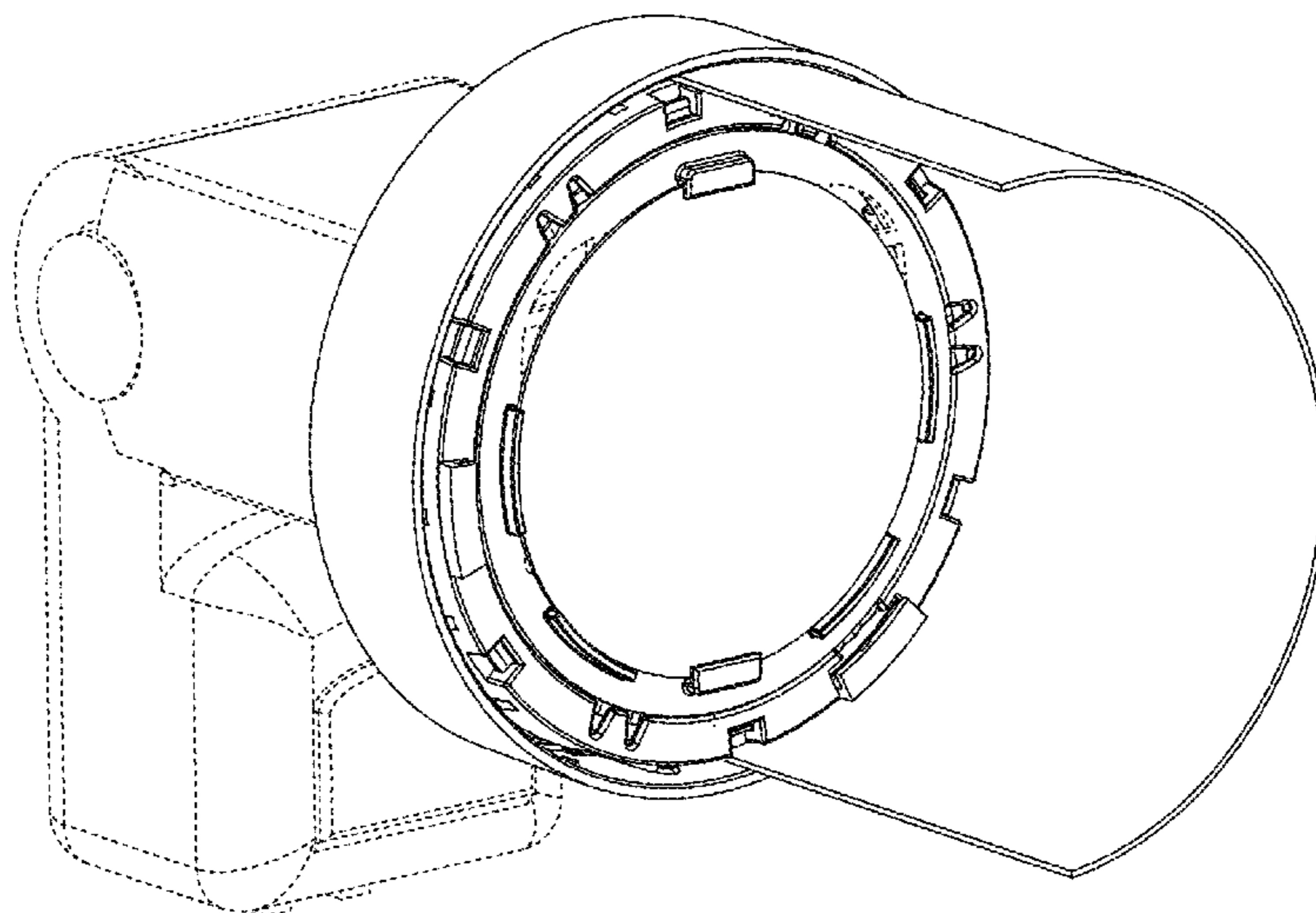
(57) **CLAIM**

The ornamental design for a photographic light director, as shown and described.

**DESCRIPTION**

FIG. 1 is a perspective view of a photographic light director constructed in accordance with the invention; FIG. 2 is a left side elevational view thereof; FIG. 3 is a right side elevational view thereof; FIG. 4 is a front elevational view thereof; FIG. 5 is a rear elevational view thereof; FIG. 6 is a top plan view thereof; FIG. 7 is a bottom plan view; and, FIG. 8 is a second perspective view thereof. The broken lines illustrate portions of the photographic light director and environmental matter that forms no part of the claimed design.

**1 Claim, 8 Drawing Sheets**



(56)

**References Cited**

U.S. PATENT DOCUMENTS

2009/0154135 A1 6/2009 Fong  
2010/0118552 A1 5/2010 Fong  
2010/0150543 A1 6/2010 Fong

OTHER PUBLICATIONS

“Ultimate Bounce Card 2.0 Flash Diffuser”, 1-6, Jun. 9, 2011.

“LumiQuest Products”, *LumiQuest Photographic Accessories Product Guide*, 1-2, Jun. 9, 2011.

“Demb Flash Diffuser ProPrint Article Review”, *Pinoy Photography*, 1-17, Jun. 22, 2007.

“Gotlux? One Ounce Bounce Card/Diffuser for External Camera Flash Units (Black, 5 Inch)”, *Amazon search results*, 1-5, Jun. 9, 2011.

“PRESSlite Flash Diffuser & Flash Bouncer”, 1-2, Jun. 9, 2011.

\* cited by examiner

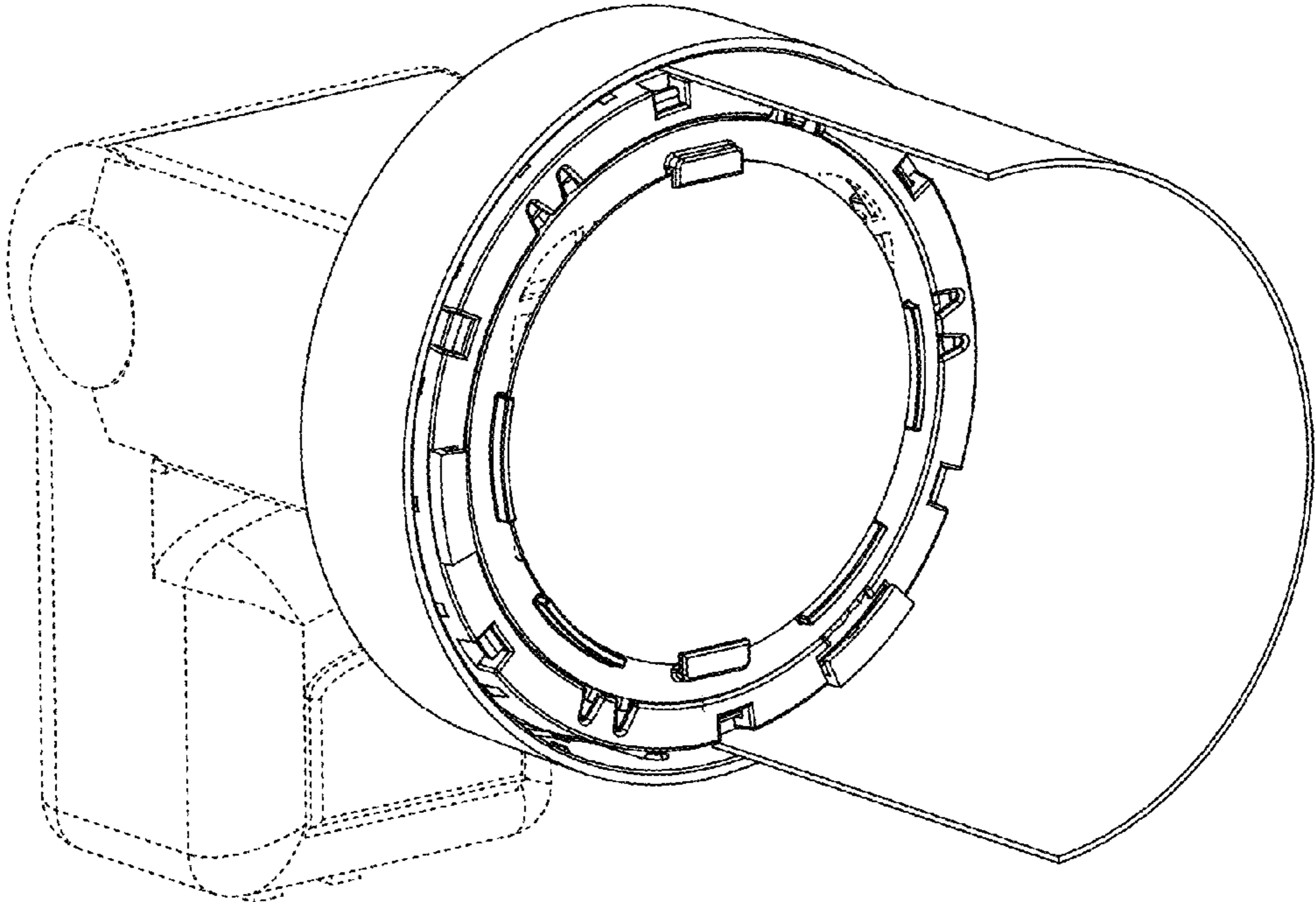


FIGURE 1

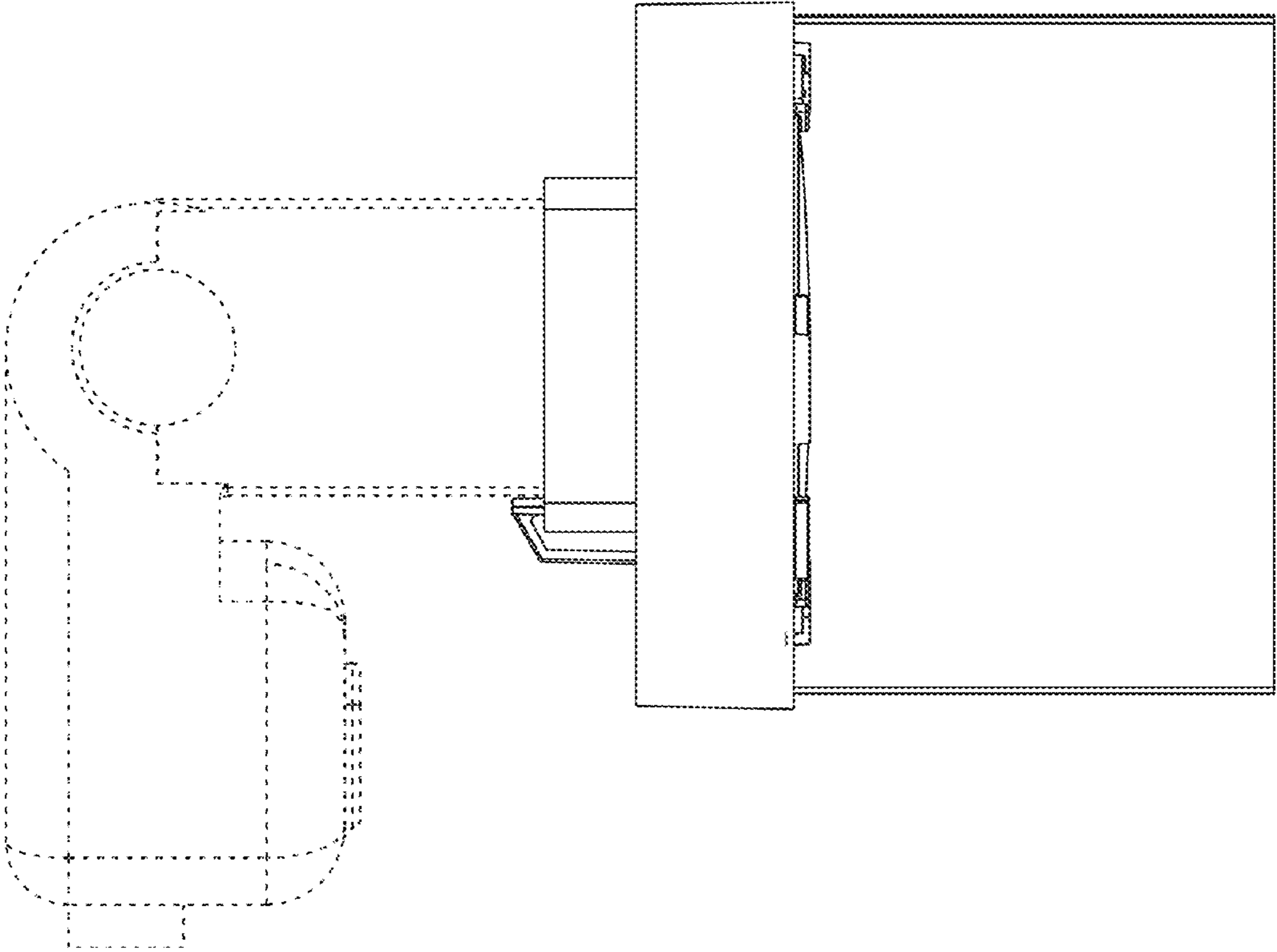


FIGURE 2

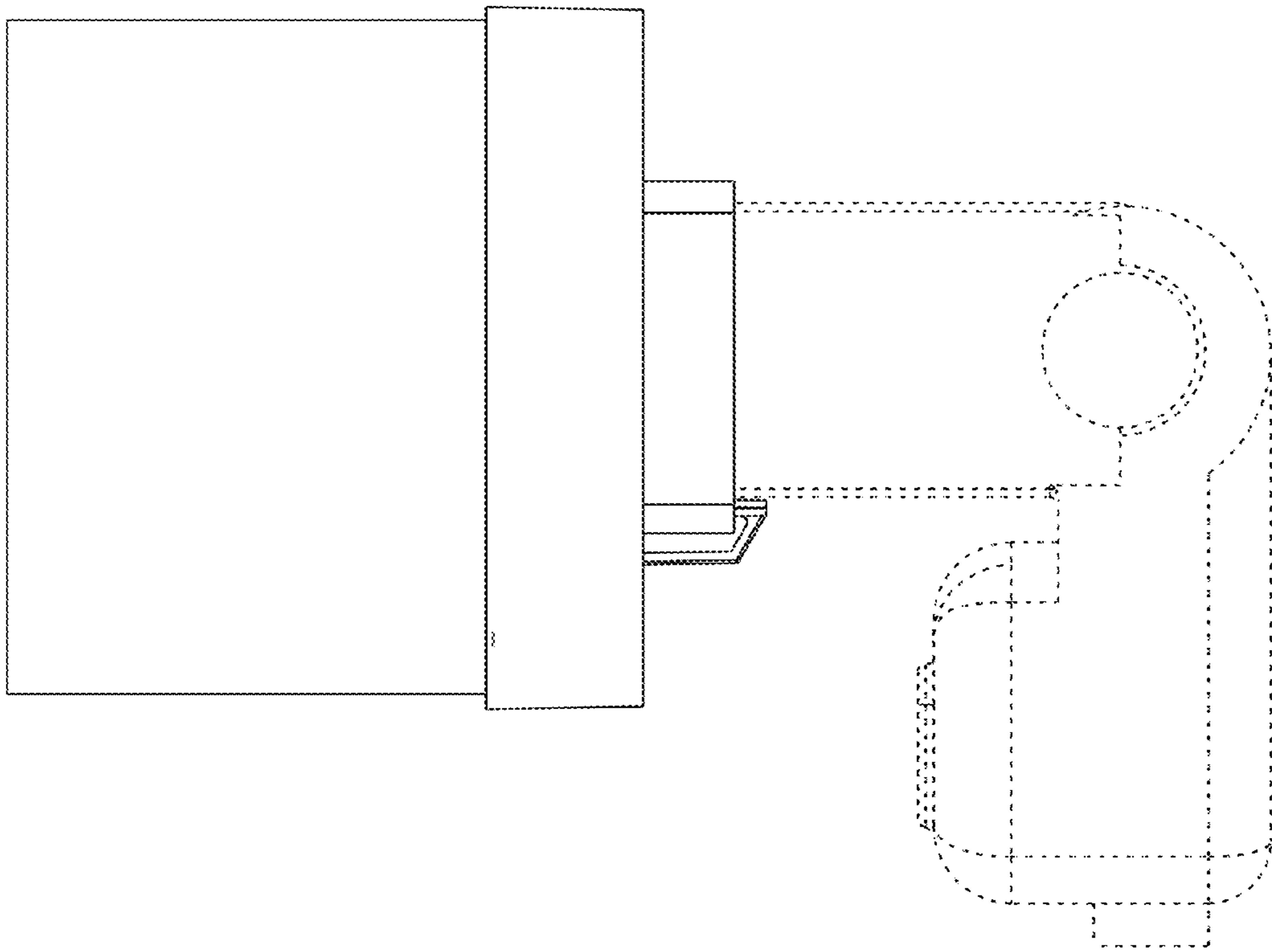


FIGURE 3

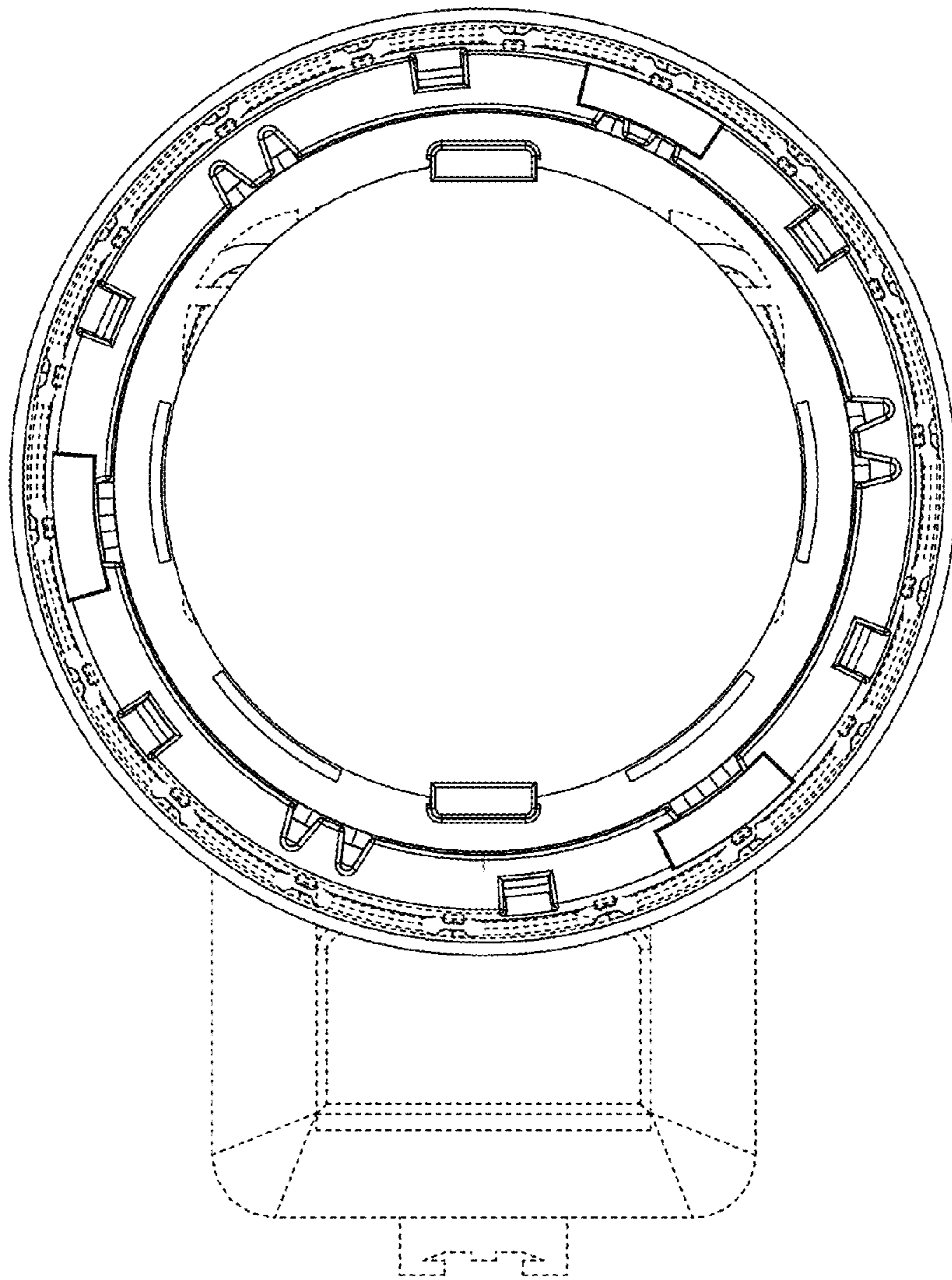


FIGURE 4

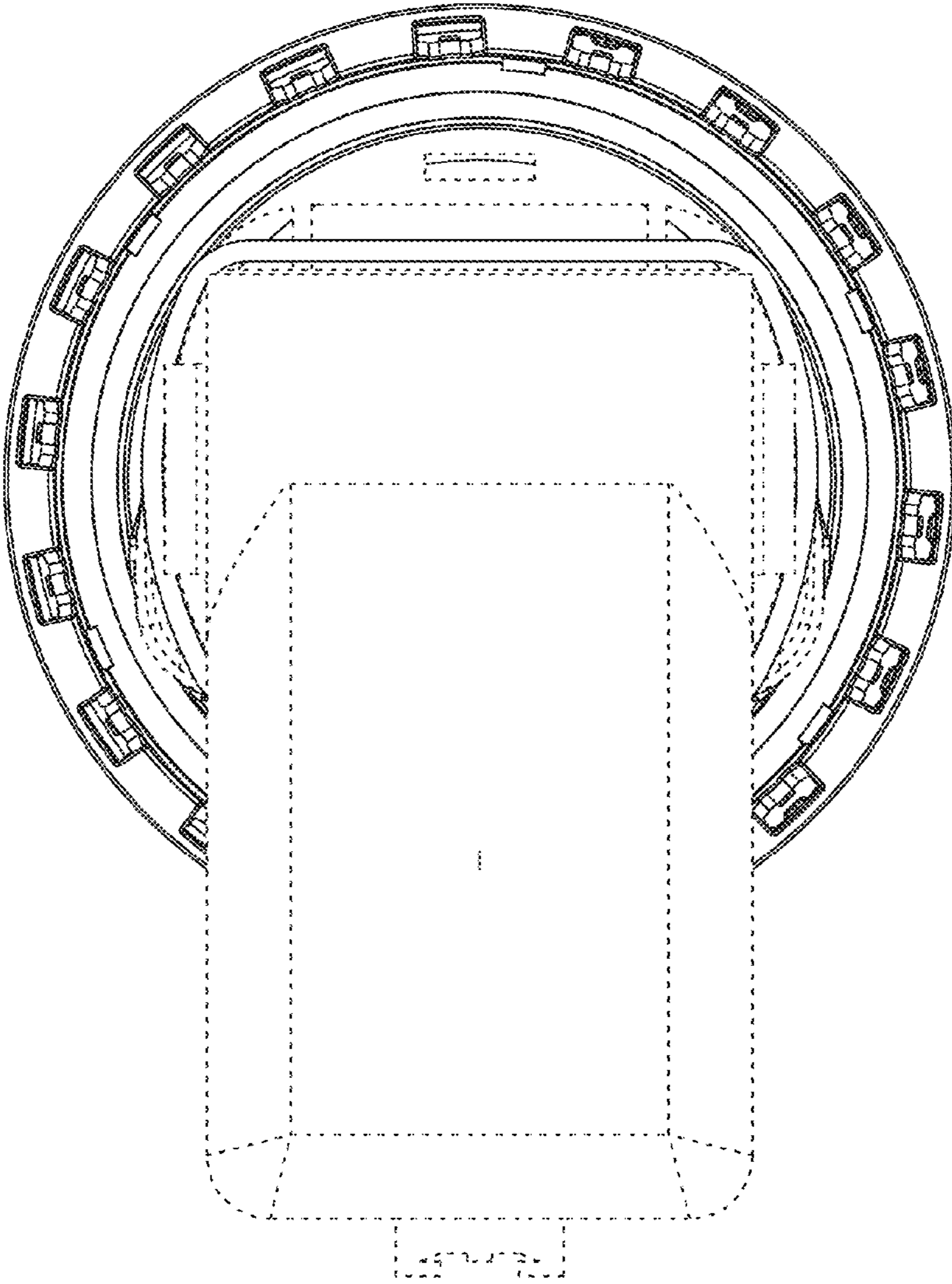


FIGURE 5

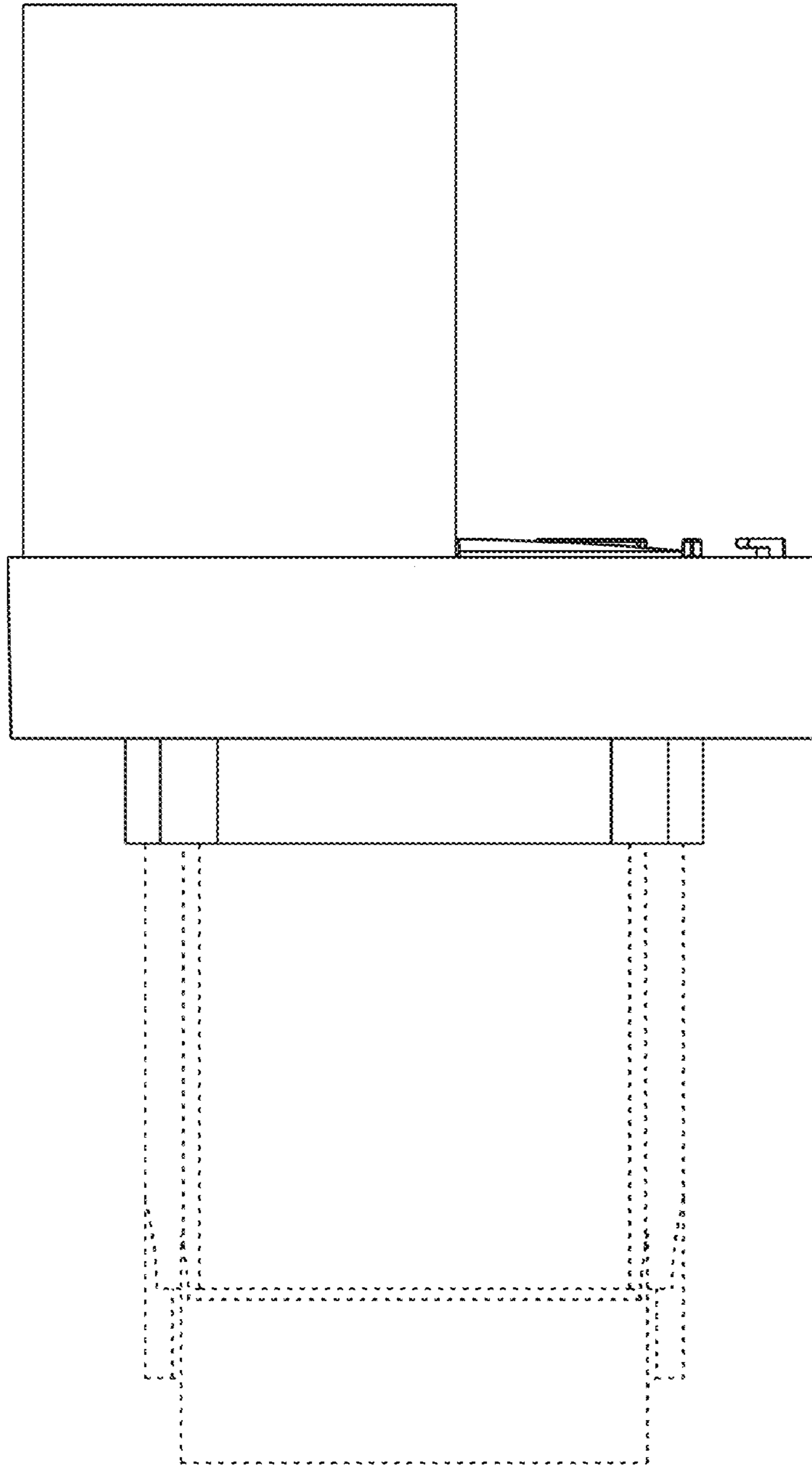


FIGURE 6



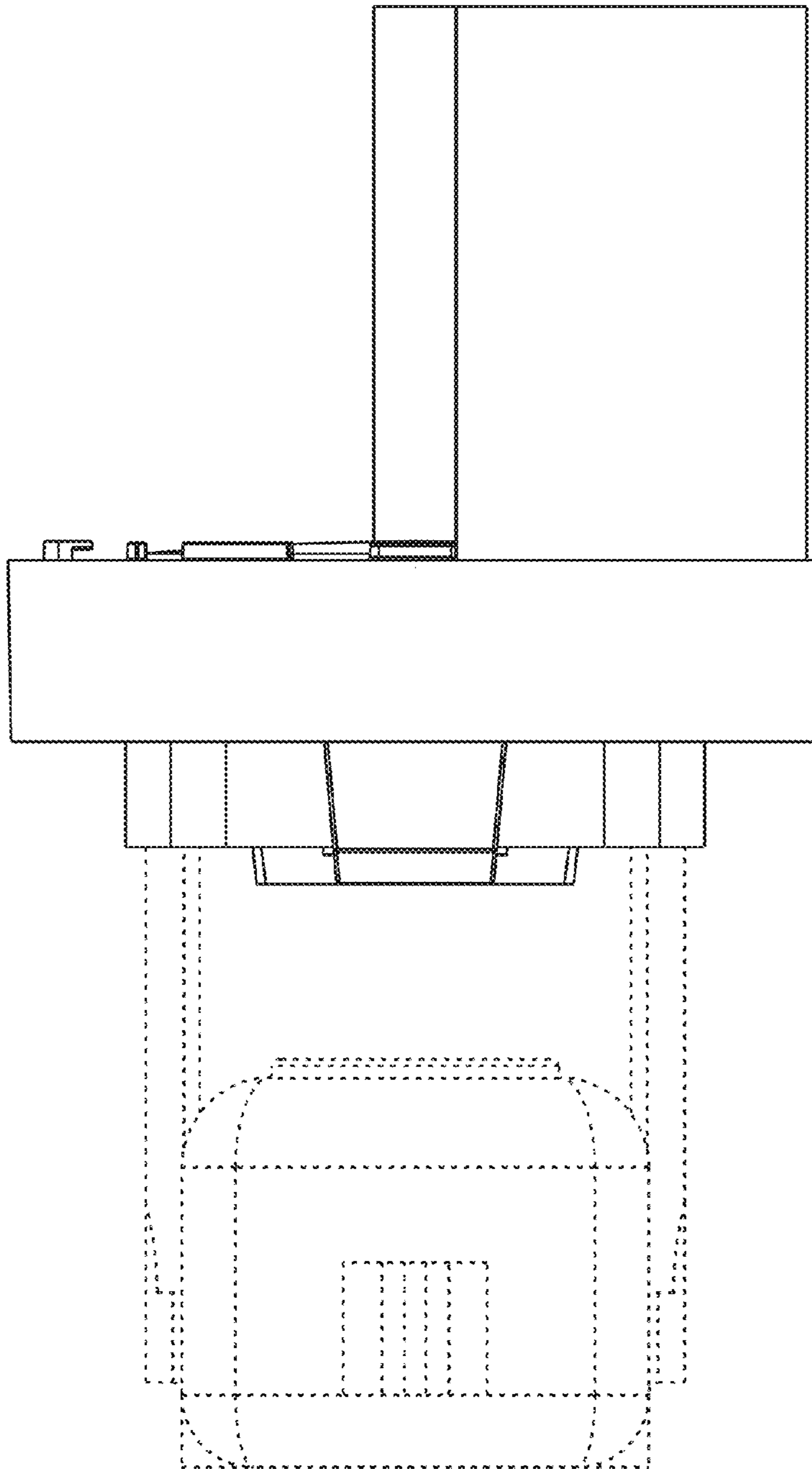


FIGURE 7

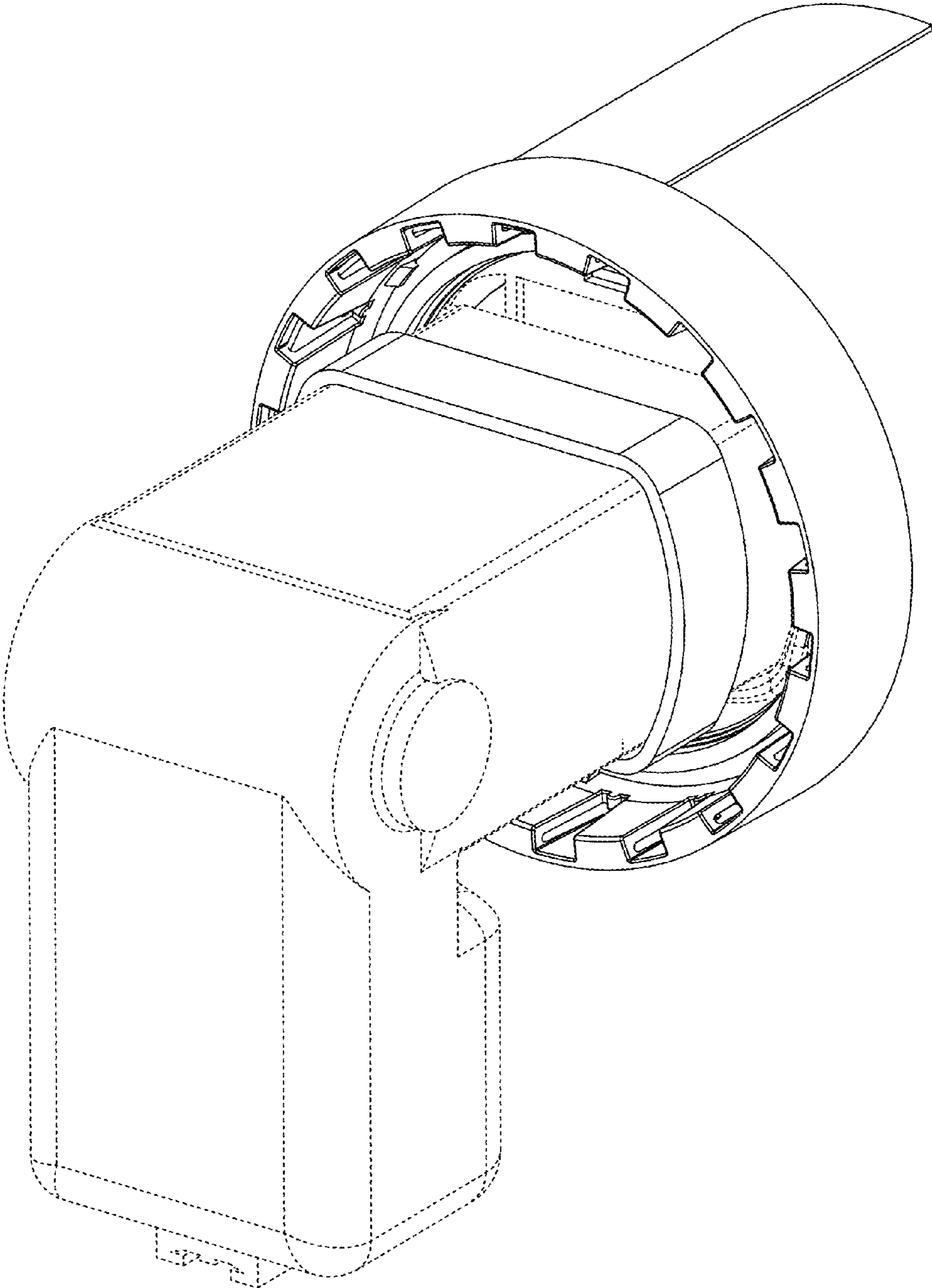


FIGURE 8