



US00D708655S

(12) **United States Design Patent**
Wong et al.

(10) **Patent No.:** **US D708,655 S**
(45) **Date of Patent:** **** Jul. 8, 2014**

(54) **DOCUMENT CAMERA**

(75) Inventors: **Bryan Wong**, Calgary (CA); **Amy Elizabeth Dewis**, Calgary (CA); **D. Tyler Bradbury**, Calgary (CA); **Zoran Nestic**, Calgary (CA); **Alan Peter Boykiw**, Calgary (CA); **Jeremy Hebert**, Calgary (CA); **Sebastien Larose**, Calgary (CA); **Sebastien Bonneau**, Calgary (CA); **Jean-Sebastien Langlois**, Calgary (CA); **Brian Kent Davidson**, Calgary (CA)

(73) Assignee: **SMART Technologies ULC (CA)**

(**) Term: **14 Years**

(21) Appl. No.: **29/432,287**

(22) Filed: **Sep. 14, 2012**

(51) **LOC (10) Cl.** **16-02**

(52) **U.S. Cl.**
USPC **D16/232; D16/208**

(58) **Field of Classification Search**
CPC G03B 15/03; G03B 17/02; G03B 17/04;
G03B 17/56; G03B 19/04; G03B 23/042;
G03B 21/14; H04N 5/2251; H04N 5/2252;
H04N 5/2253; H04N 5/2254
USPC D16/200, 202–204, 208, 211, 212, 218,
D16/221, 225, 229, 232; D14/423;
348/373–376; 353/112, 119; 396/430,
396/431, 535, 539–541
See application file for complete search history.

(56) **References Cited**

U.S. PATENT DOCUMENTS

D306,435 S * 3/1990 Krichever et al. D14/423
D325,027 S * 3/1992 Wallace et al. D14/423

(Continued)

Primary Examiner — Adir Aronovich
Assistant Examiner — Ramzi Almatrahi

(74) *Attorney, Agent, or Firm* — Katten Muchin Rosenman LLP

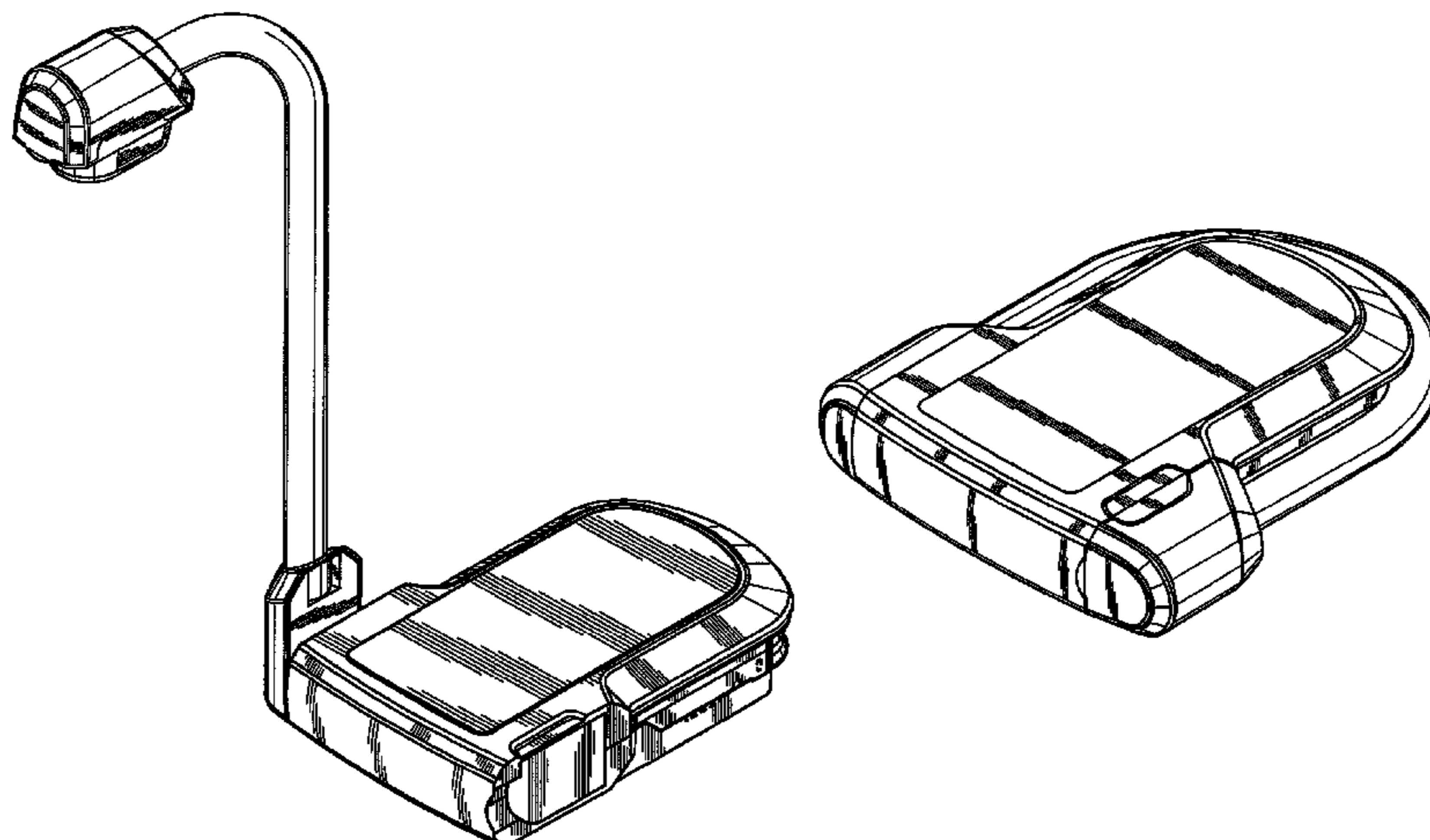
(57) **CLAIM**

The ornamental design for a document camera, as shown and described.

DESCRIPTION

FIG. 1 is a top plan view of the document camera in the unfolded condition showing our new design.
FIG. 2 is a front elevational view of the document camera in the unfolded condition showing our new design.
FIG. 3 is a bottom plan view of the document camera in the unfolded condition showing our new design.
FIG. 4 is a right side elevational view of the document camera in the unfolded condition showing our new design.
FIG. 5 is a left side elevational view of the document camera in the unfolded condition showing our new design.
FIG. 6 is a rear elevational view of the document camera in the unfolded condition showing our new design.
FIG. 7 is a top, front, and right perspective view of the document camera in the unfolded condition showing our new design.
FIG. 8 is a bottom, front, and left perspective view of the document camera in the unfolded condition showing our new design.
FIG. 9 is a top plan view of the document camera in the folded condition showing our new design.
FIG. 10 is a front elevational view of the document camera in the folded condition showing our new design.
FIG. 11 is a bottom plan view of the document camera in the folded condition showing our new design.
FIG. 12 is a right side elevational view of the document camera in the folded condition showing our new design.
FIG. 13 is a left side elevational view of the document camera in the folded condition showing our new design.
FIG. 14 is a rear elevational view of the document camera in the folded condition showing our new design.
FIG. 15 is a top, front, and right perspective view of the document camera in the folded condition showing our new design; and,
FIG. 16 is a bottom, front, and left perspective view of the document camera in the folded condition showing our new design.

1 Claim, 12 Drawing Sheets



(56)

References Cited

U.S. PATENT DOCUMENTS

D330,040 S *	10/1992	Watanabe et al.	D16/232	D479,259 S *	9/2003	Shao et al.	D16/218
D375,319 S *	11/1996	Johnson et al.	D16/202	D503,418 S *	3/2005	Chao et al.	D16/202
5,978,028 A *	11/1999	Yamane	348/373	D508,511 S *	8/2005	Christou et al.	D16/218
D419,170 S *	1/2000	Ono et al.	D16/208	D508,933 S *	8/2005	Kaneda	D16/203
D436,612 S *	1/2001	Geng	D16/232	6,947,093 B2 *	9/2005	Yanakawa et al.	348/373
D439,588 S *	3/2001	Bergstrom et al.	D16/203	D534,566 S *	1/2007	Ishii	D16/208
D454,901 S *	3/2002	Goto	D16/202	D542,795 S *	5/2007	Sukenari et al.	D14/423
				D651,635 S *	1/2012	Hong	D16/208
				D680,148 S *	4/2013	Unno et al.	D16/208
				D686,268 S *	7/2013	Dunn	D16/232

* cited by examiner

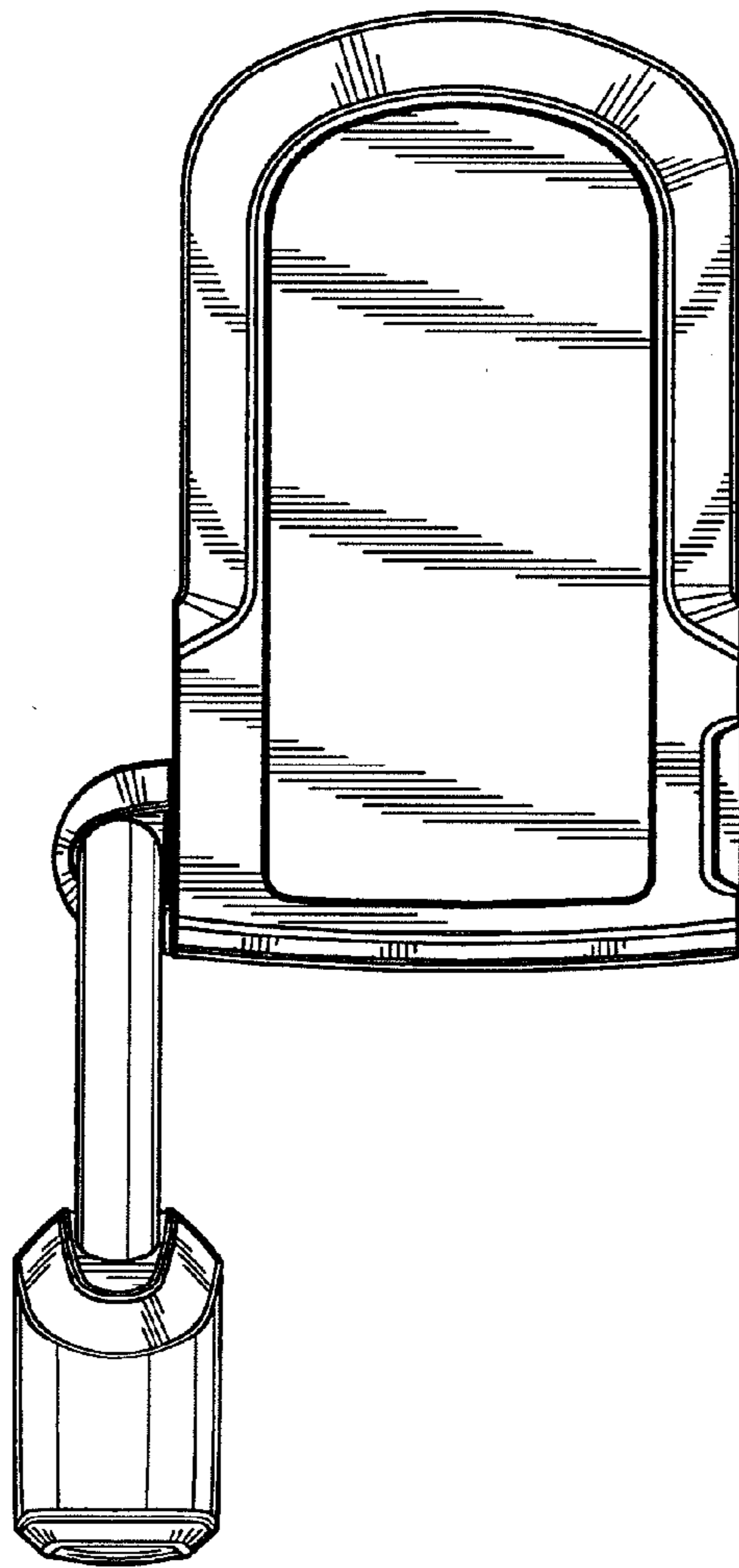


FIG. 1

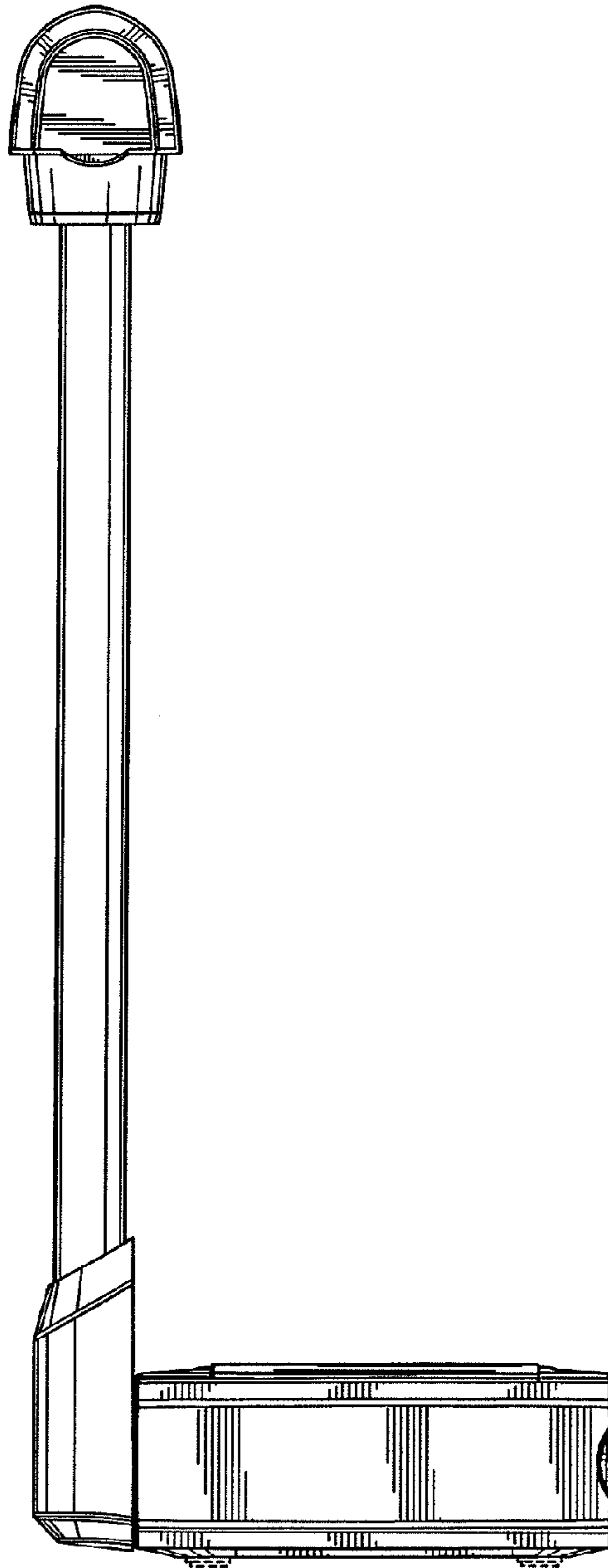


FIG. 2

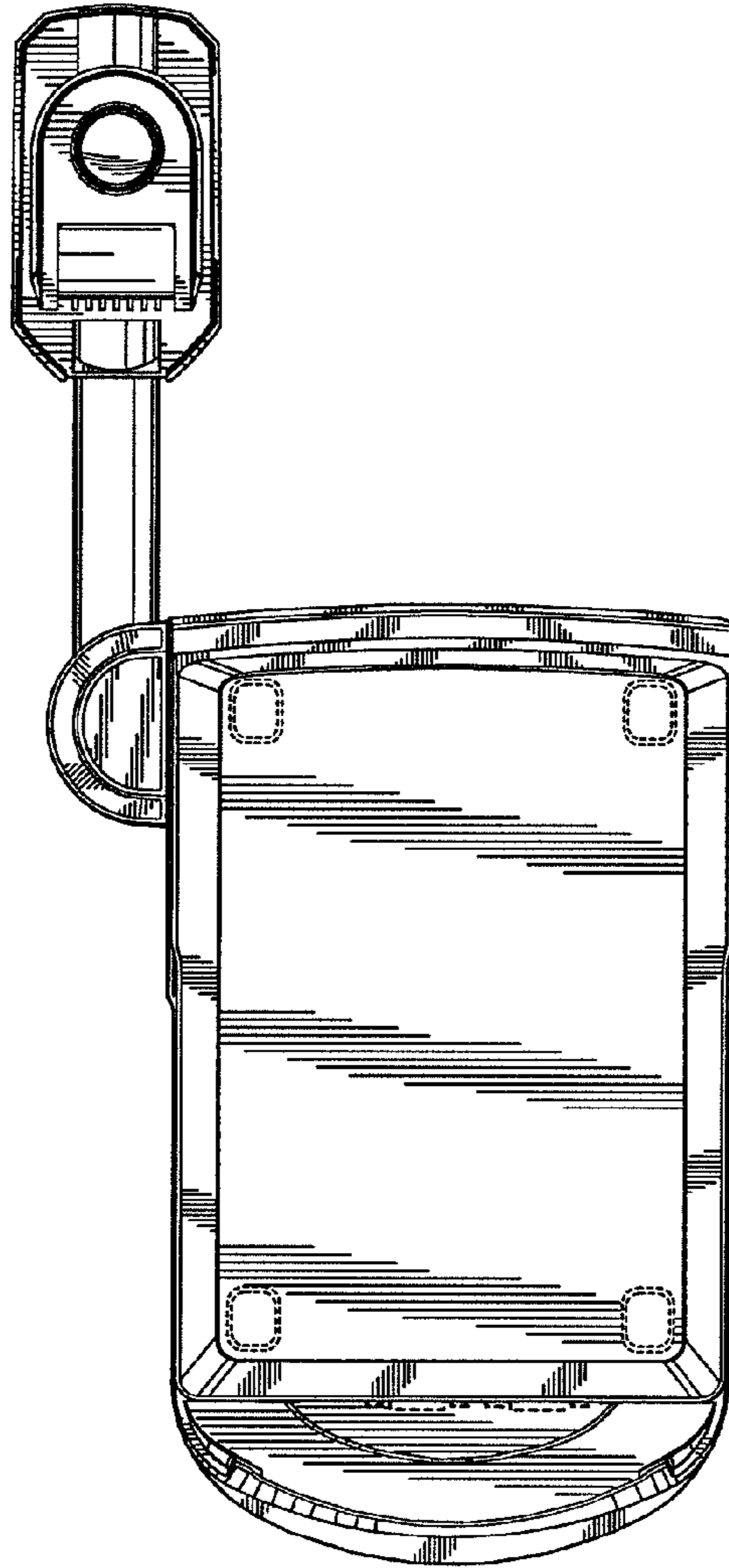


FIG. 3

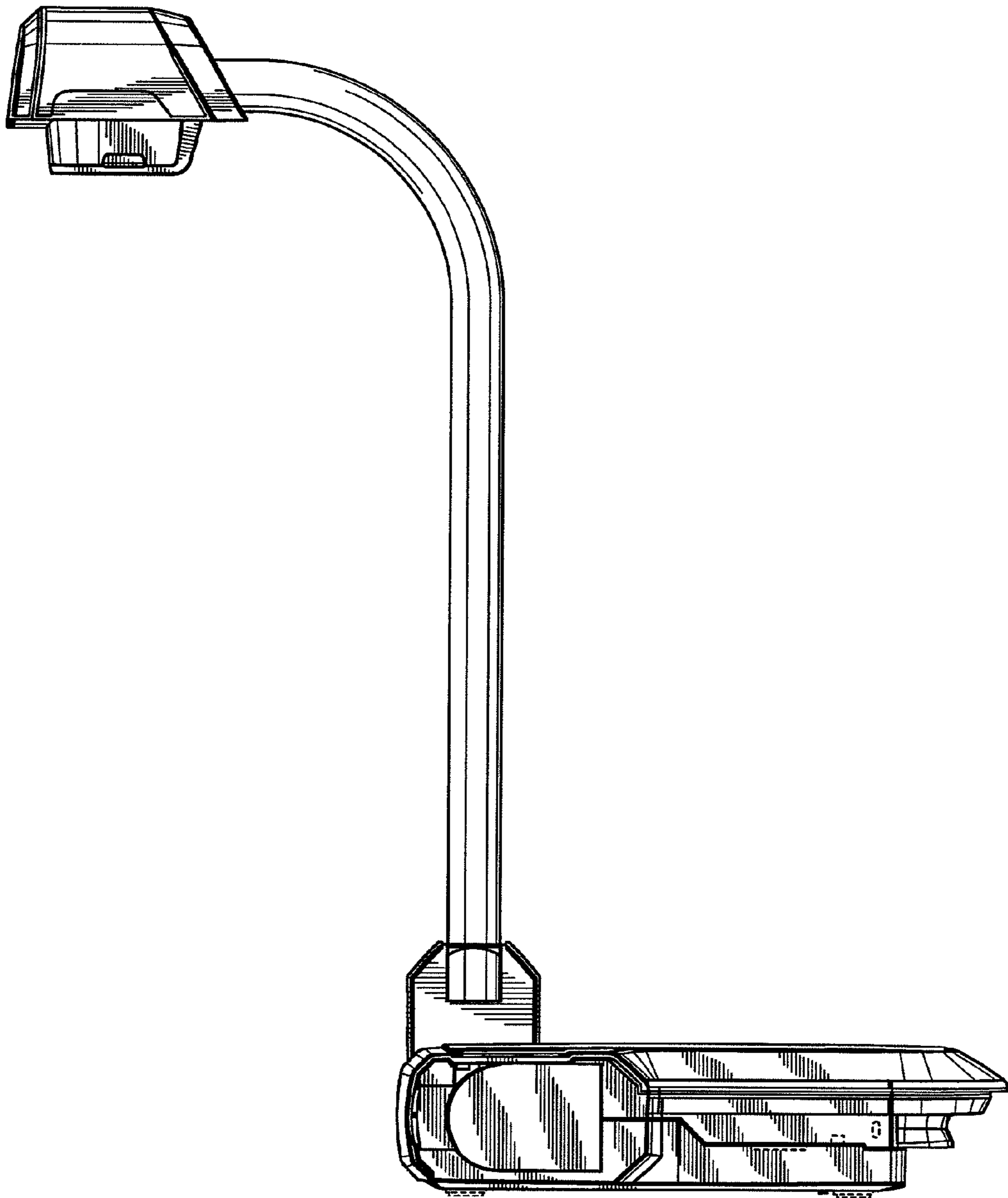


FIG. 4

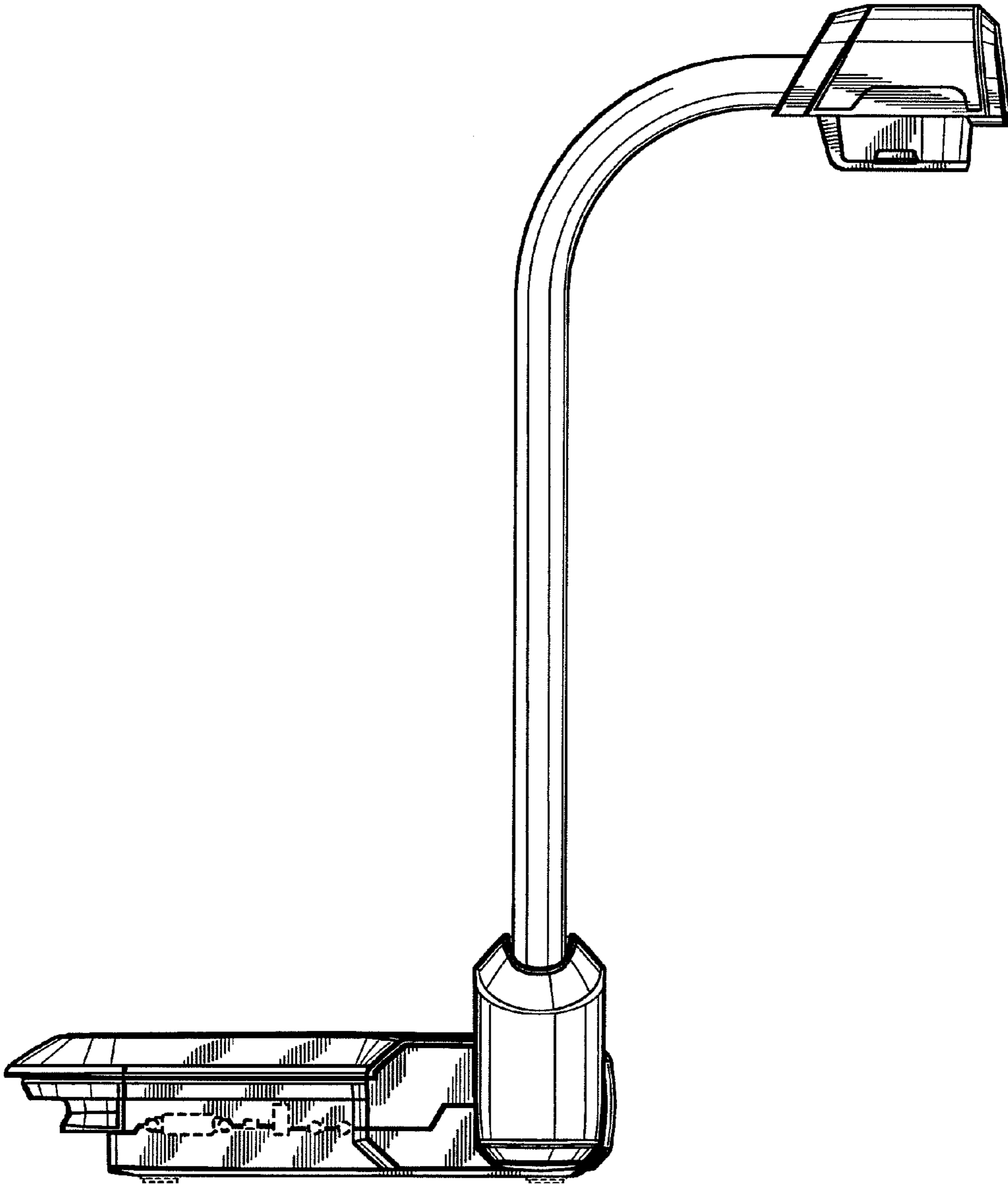


FIG. 5

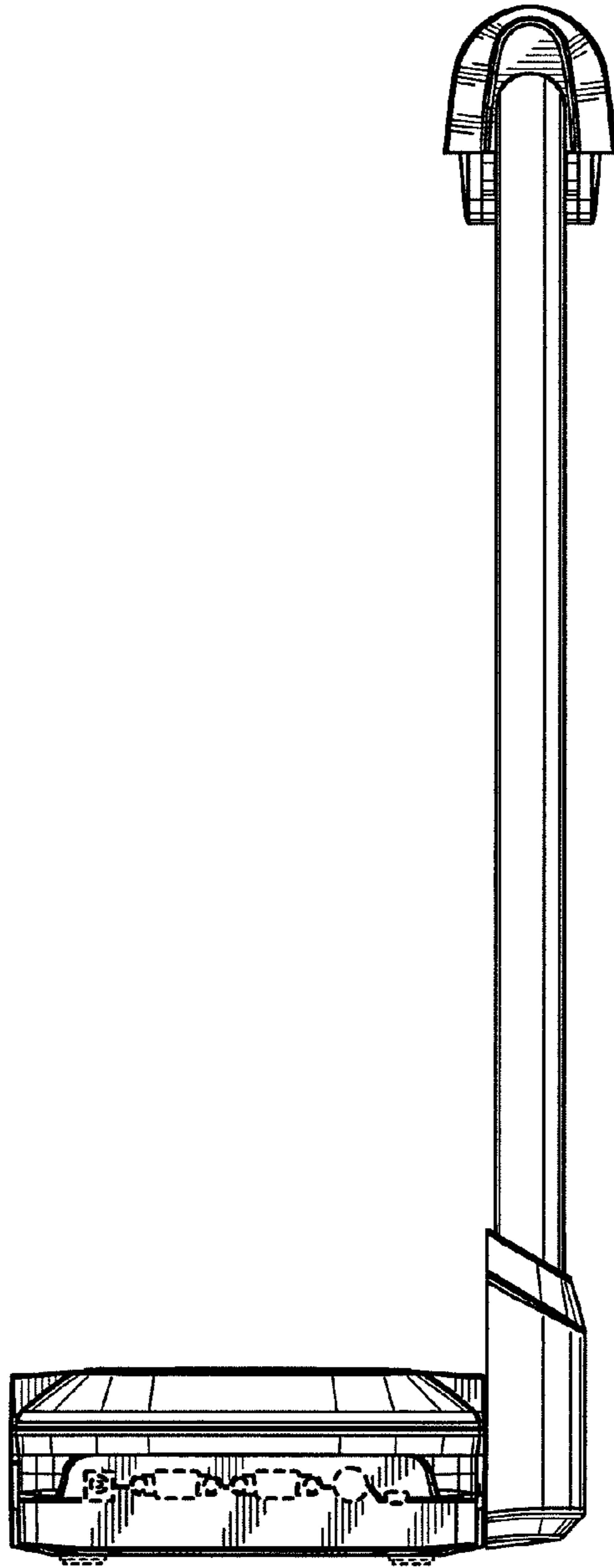


FIG. 6

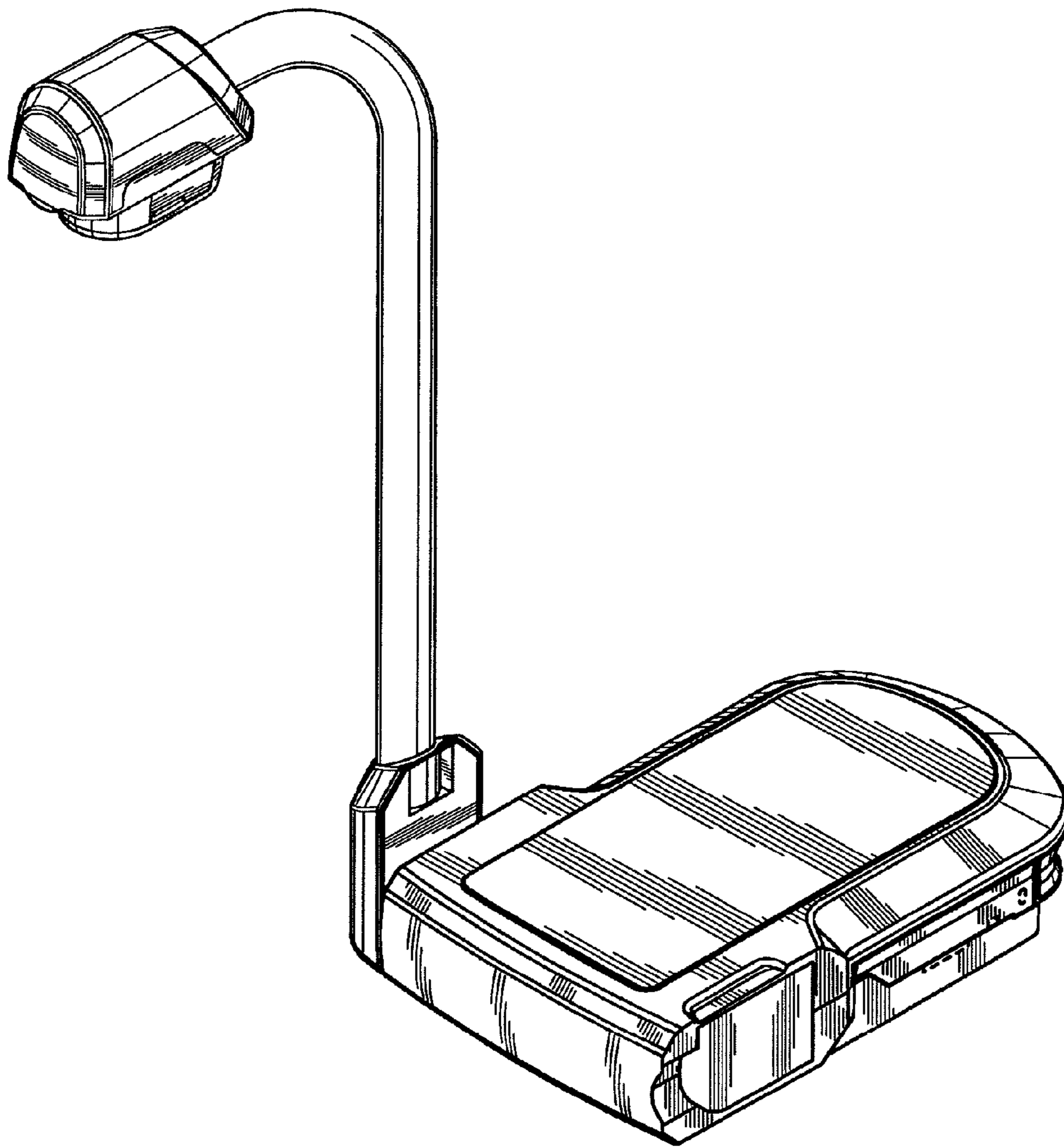


FIG. 7

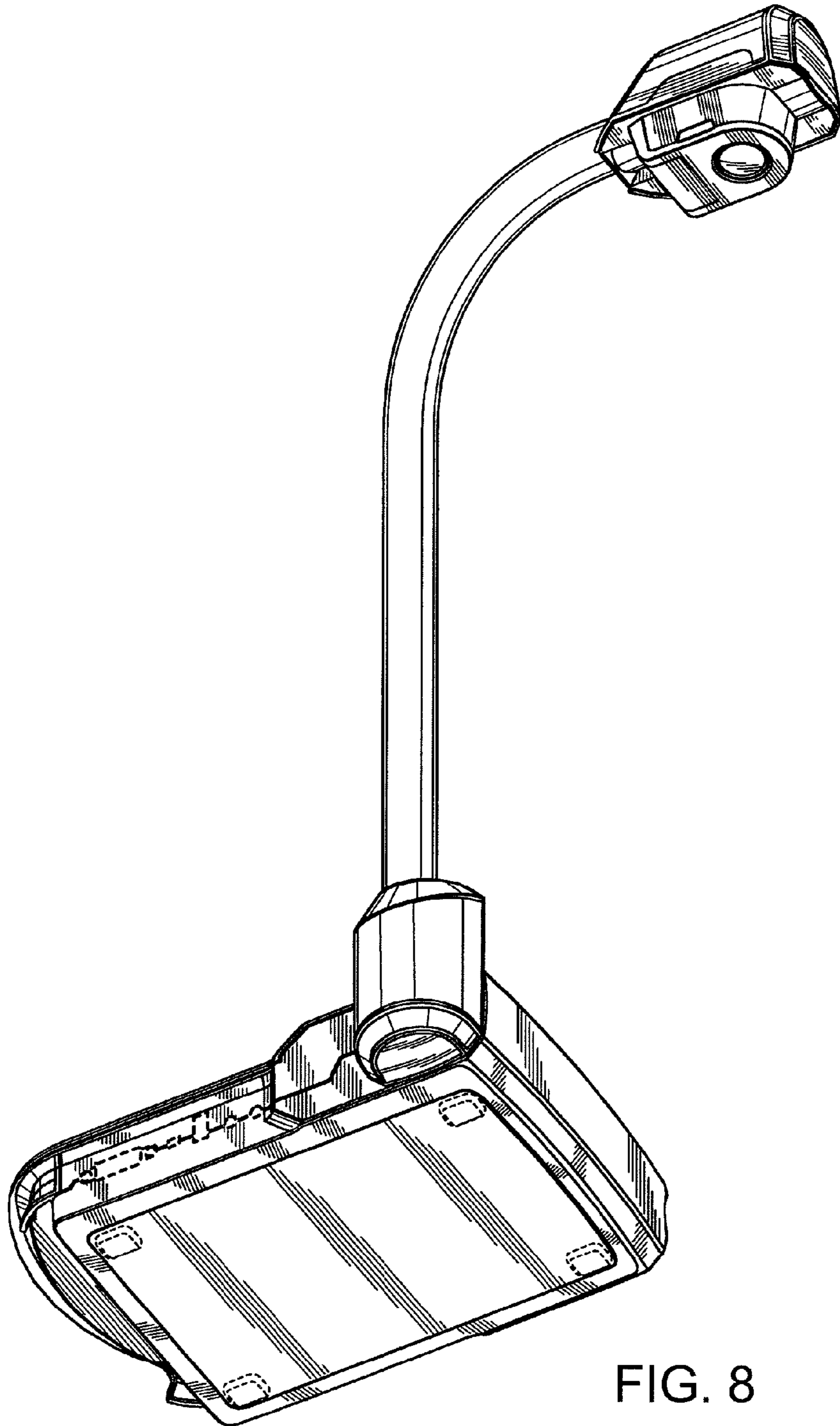


FIG. 8

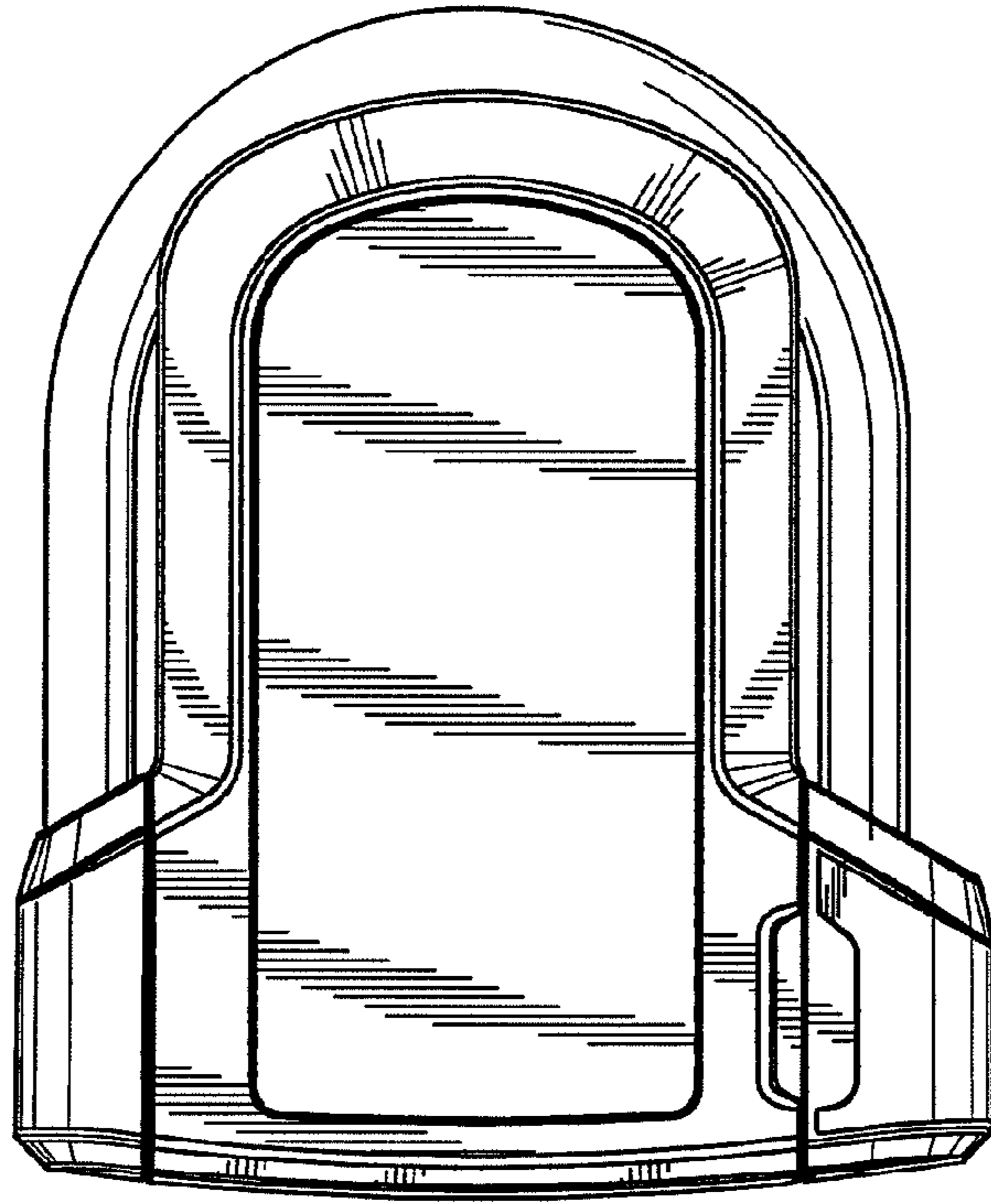


FIG. 9

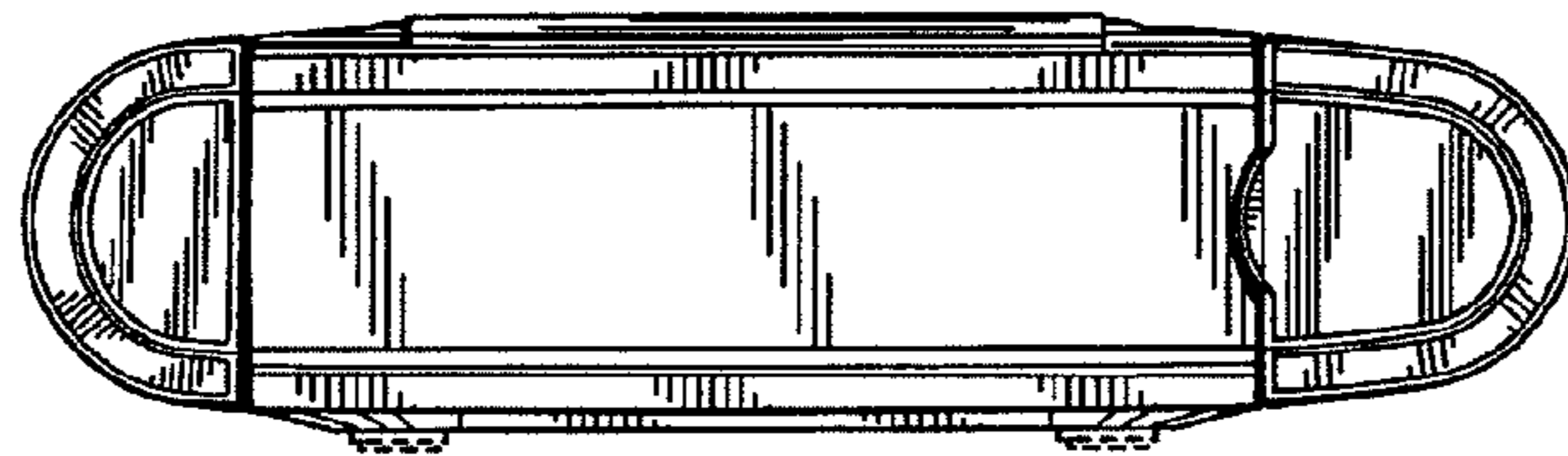


FIG. 10

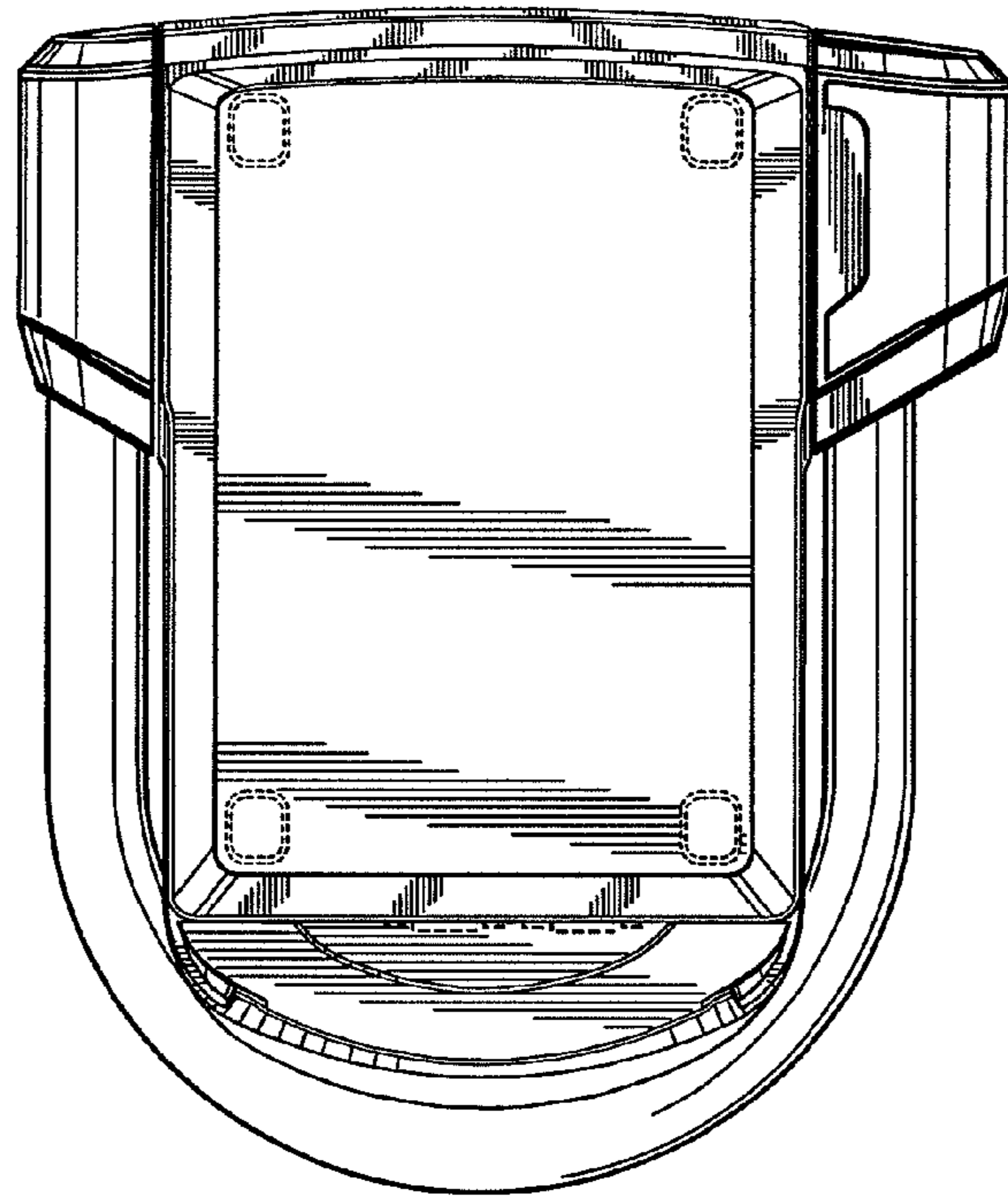


FIG. 11

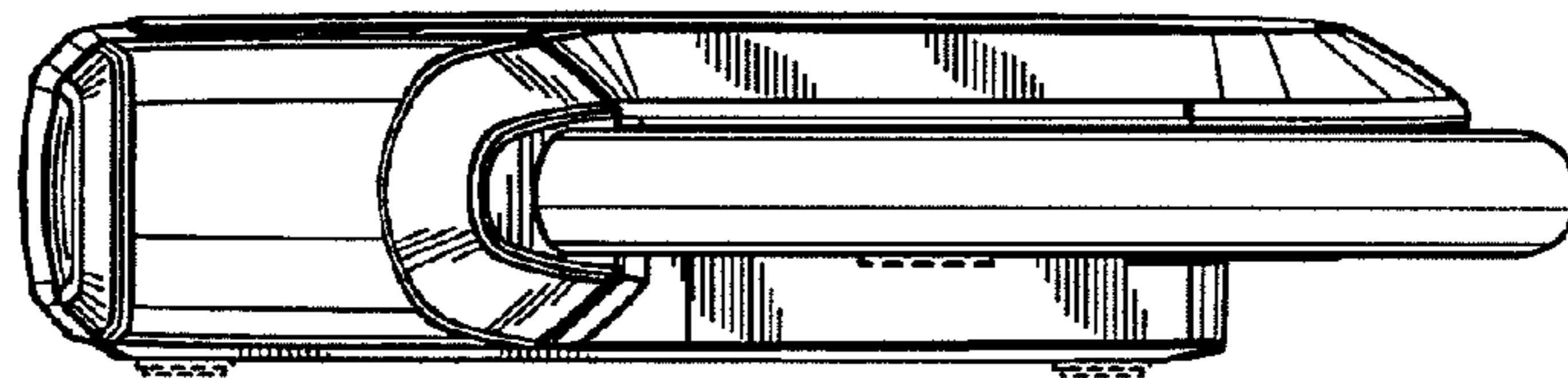


FIG. 12

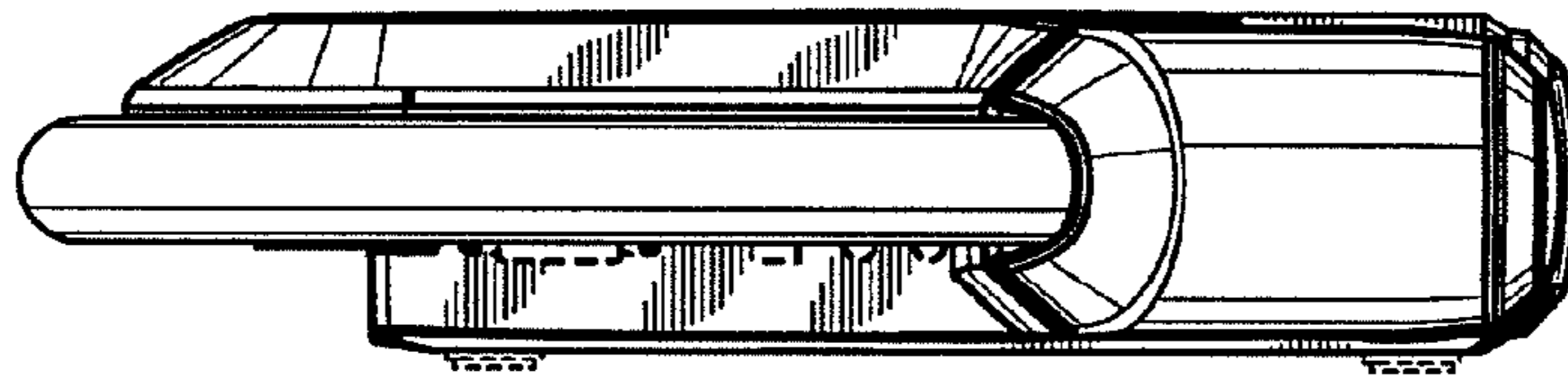


FIG. 13

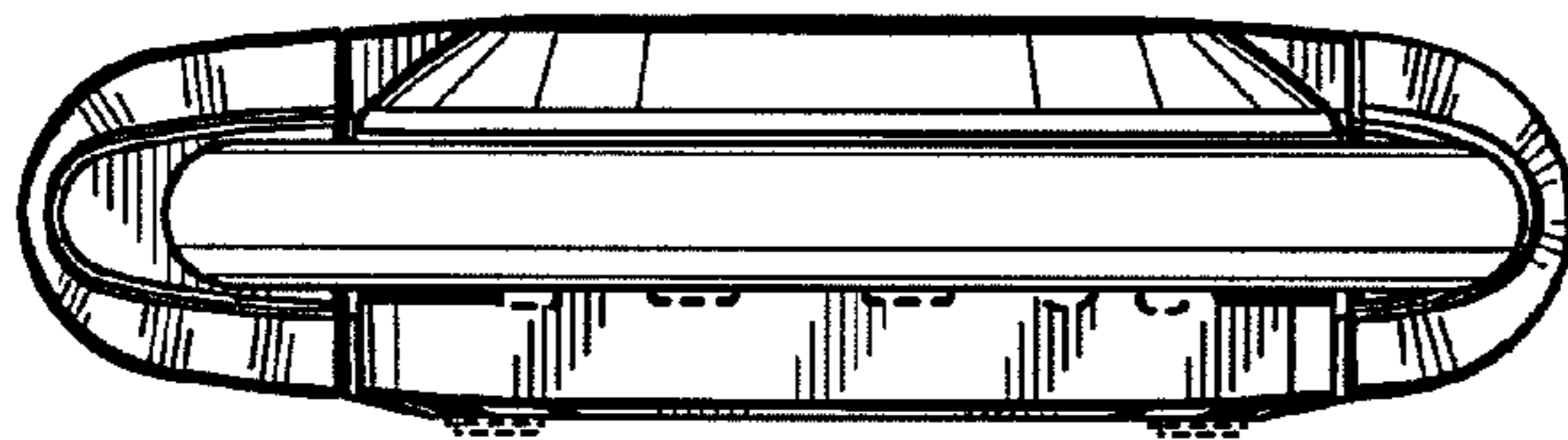


FIG. 14

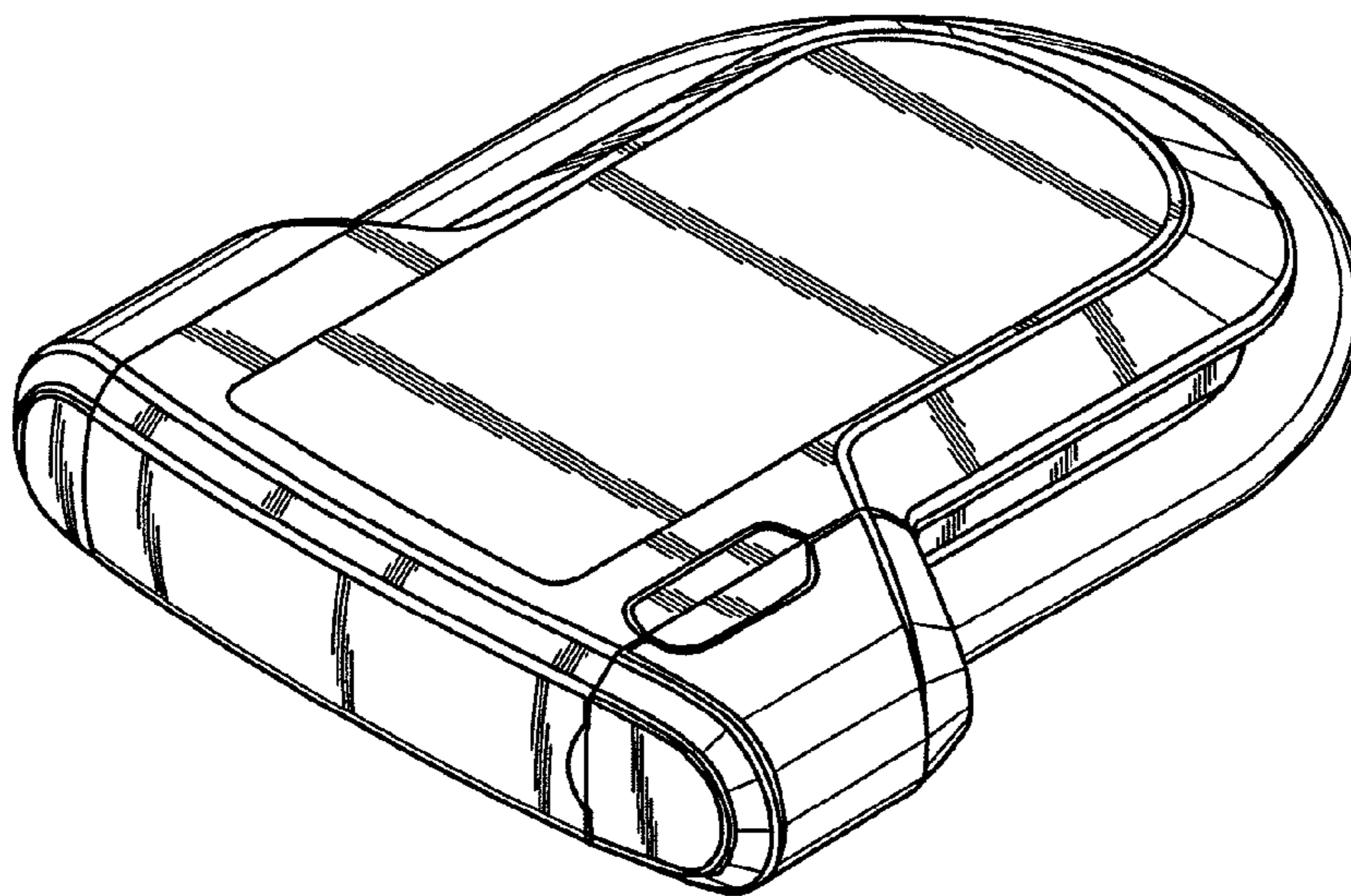


FIG. 15

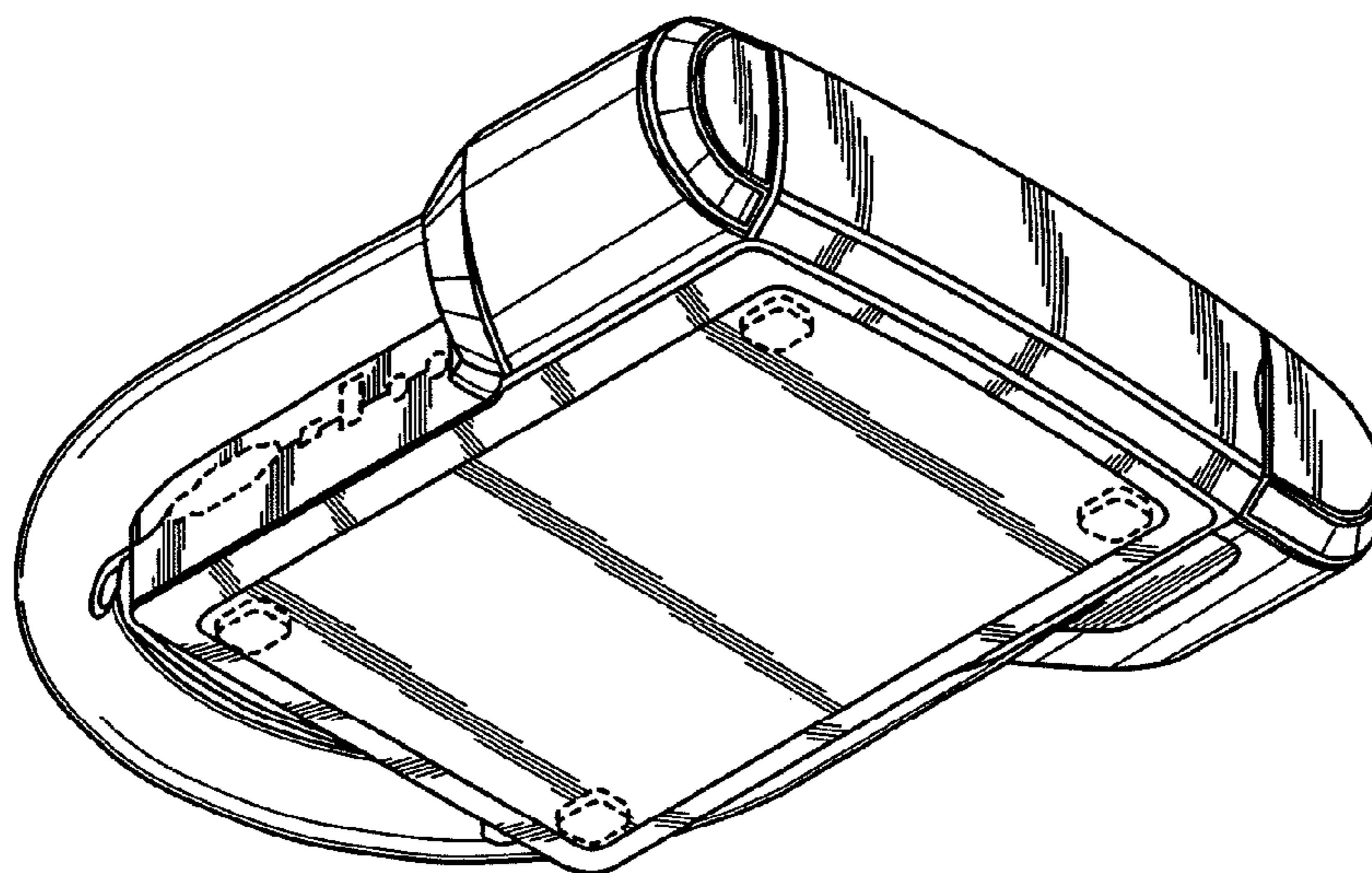


FIG. 16