



US00D708653S

(12) **United States Design Patent**  
**Hyers**

(10) **Patent No.:** **US D708,653 S**  
(45) **Date of Patent:** **\*\* Jul. 8, 2014**

(54) **OPTICAL ADAPTOR**

(71) Applicant: **Carson Optical, Inc.**, Hauppauge, NY (US)

(72) Inventor: **Michelle Hyers**, Hicksville, NY (US)

(73) Assignee: **Carson Optical, Inc.**, Hauppauge, NY (US)

(\*\*) Term: **14 Years**

(21) Appl. No.: **29/445,536**

(22) Filed: **Feb. 13, 2013**

(51) **LOC (10) Cl.** ..... **16-06**

(52) **U.S. Cl.**  
USPC ..... **D16/136**

(58) **Field of Classification Search**  
CPC ..... G02B 25/002  
USPC ..... D16/136, 130, 134, 208; 359/808, 815,  
359/819, 826, 827, 828; 396/529, 530, 531,  
396/532, 544, 545  
See application file for complete search history.

(56) **References Cited**

**U.S. PATENT DOCUMENTS**

1,417,326	A *	5/1922	Jacobsson	.....	359/830
2,465,083	A *	3/1949	Gradisar	.....	403/348
D181,908	S *	1/1958	Hertzler	.....	D16/134
3,048,079	A *	8/1962	Dine et al.	.....	359/827
3,454,323	A *	7/1969	Dierks et al.	.....	359/612
3,828,991	A *	8/1974	Moore	.....	224/610
3,961,349	A *	6/1976	Forsyth et al.	.....	396/544
D275,766	S *	10/1984	Suzuki	.....	D16/134
4,893,143	A *	1/1990	Sheng-Huei	.....	396/530
5,053,794	A *	10/1991	Benz	.....	396/432
5,249,082	A *	9/1993	Newman	.....	359/813
5,455,711	A *	10/1995	Palmer	.....	359/353
D387,787	S *	12/1997	Palmer	.....	D16/130

D437,543	S *	2/2001	Mudryk et al.	.....	D8/354
6,783,286	B2 *	8/2004	Maeda et al.	.....	396/427
D537,462	S *	2/2007	Tokiwa et al.	.....	D16/219
7,474,473	B1 *	1/2009	Wang	.....	359/703
8,000,589	B2 *	8/2011	Chan	.....	396/27
8,073,324	B2 *	12/2011	Tsai	.....	396/544
8,279,544	B1 *	10/2012	O'Neill	.....	359/827
D686,265	S *	7/2013	O'Neill et al.	.....	D16/134
2002/0167741	A1 *	11/2002	Koiwai et al.	.....	359/819
2009/0109558	A1 *	4/2009	Schaefer	.....	359/827
2013/0002939	A1 *	1/2013	O'Neill	.....	348/360

**OTHER PUBLICATIONS**

Meopta MeoPix iScoping Adapter—Attachment A <http://www.meoptasportsoptics.com/us/>.  
Kowa TSN-IP4S iPhone Digiscope Holder—Attachment B <http://kowa-sporting-optics.com/>.

\* cited by examiner

*Primary Examiner* — Paula Greene

(74) *Attorney, Agent, or Firm* — Carmody Torrance Sandak & Hennessey LLP

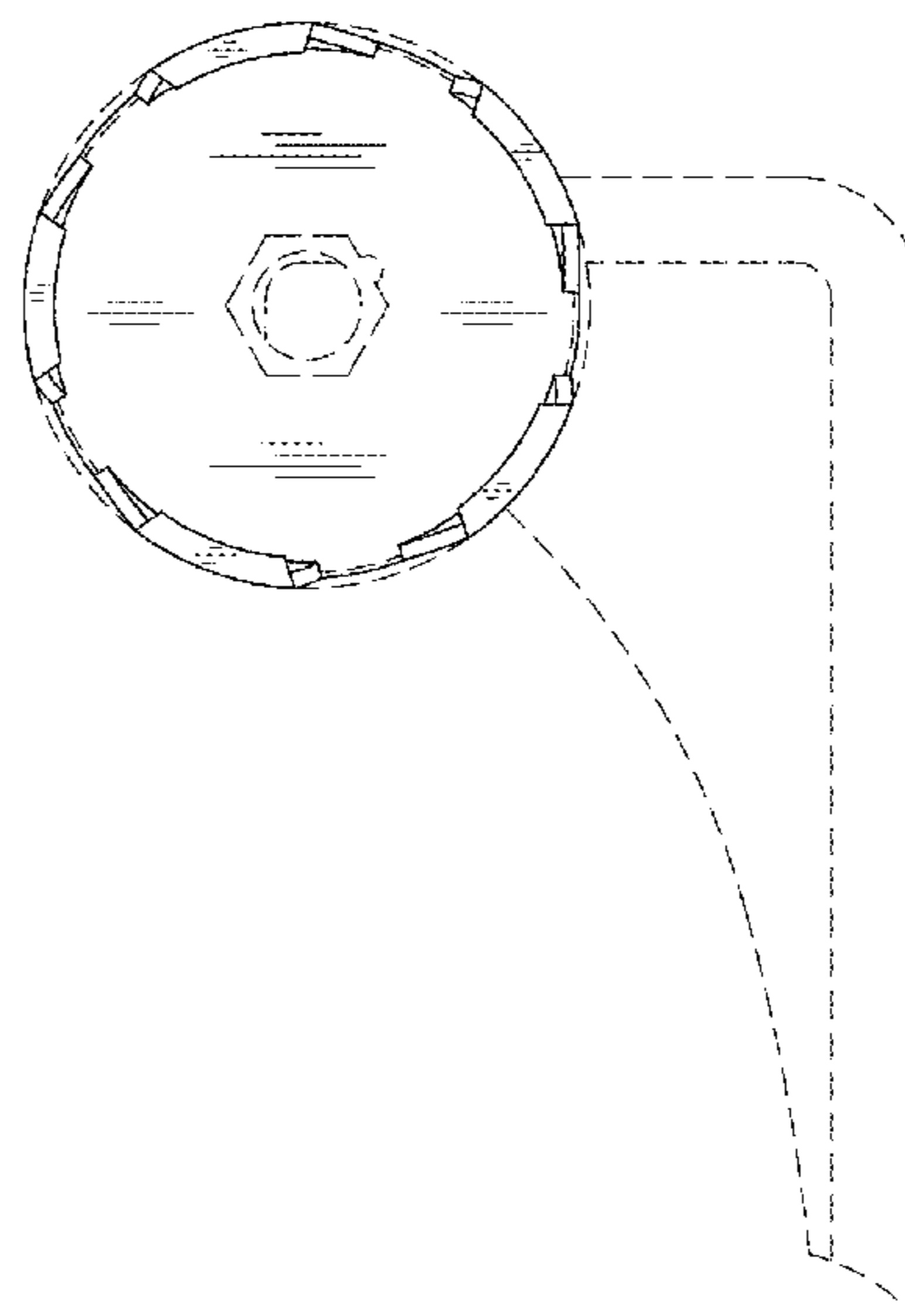
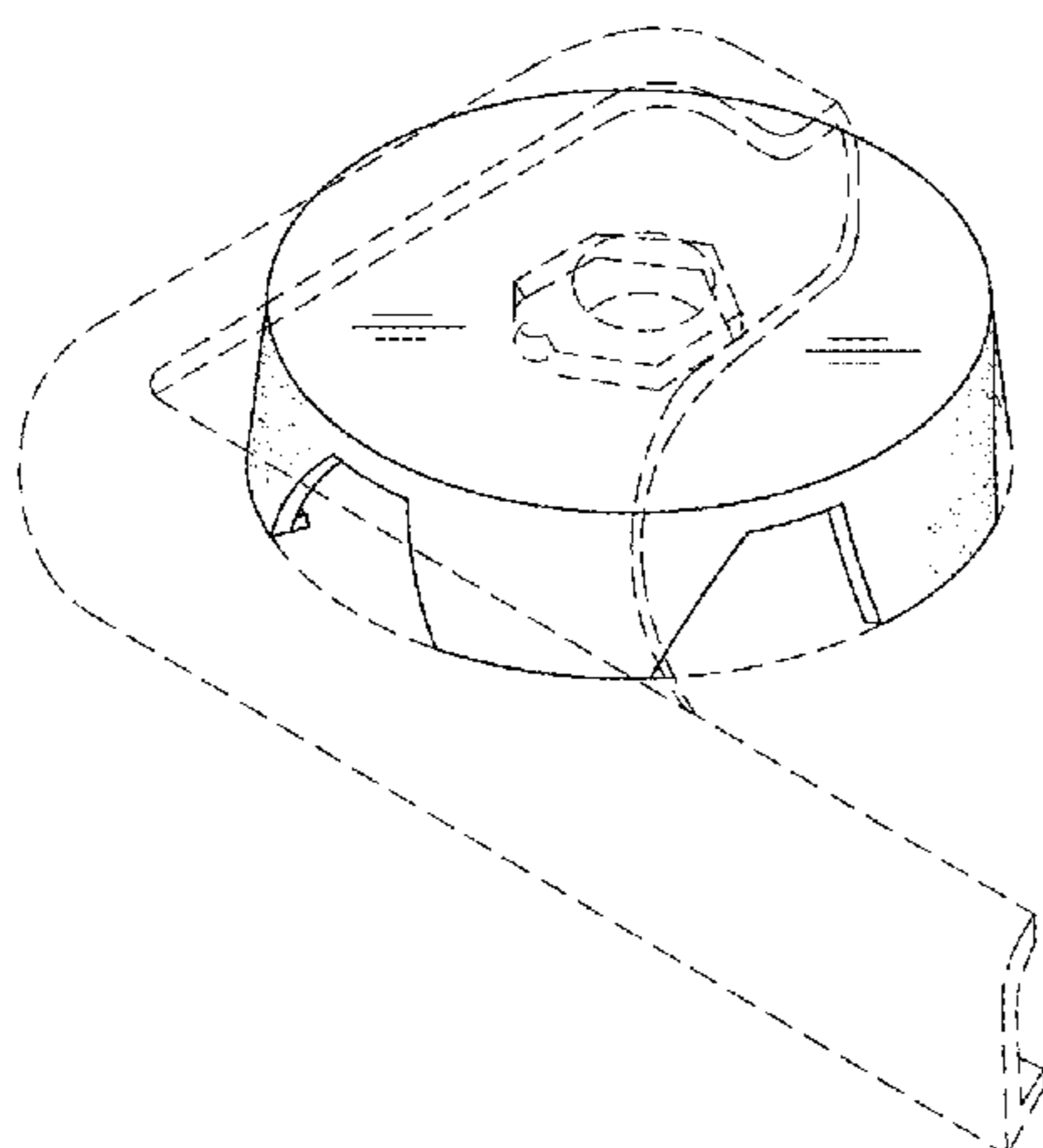
(57) **CLAIM**

The ornamental design for an optical adaptor, as shown and described.

**DESCRIPTION**

FIG. 1 is a perspective view of the optical adaptor showing our new design;  
FIG. 2 is a top plan view thereof;  
FIG. 3 is a bottom plan view thereof;  
FIG. 4 is a right side elevational view thereof;  
FIG. 5 is a left side elevational view thereof;  
FIG. 6 is a first end elevational view thereof; and,  
FIG. 7 is a second end elevational view thereof.  
The dotted lines are intended to show features that are environmental only and form no part of the claimed design.

**1 Claim, 4 Drawing Sheets**



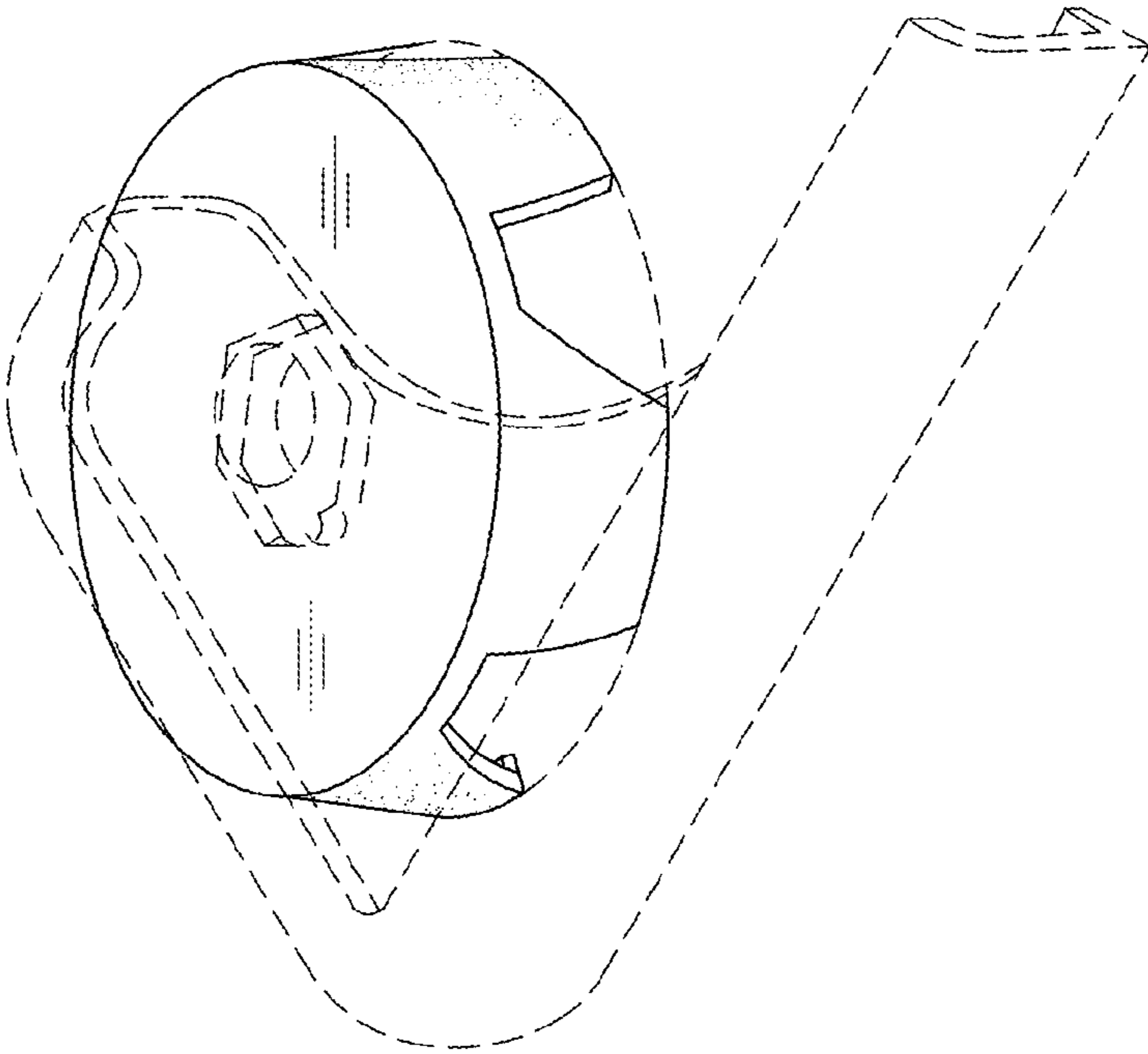


FIG. 1

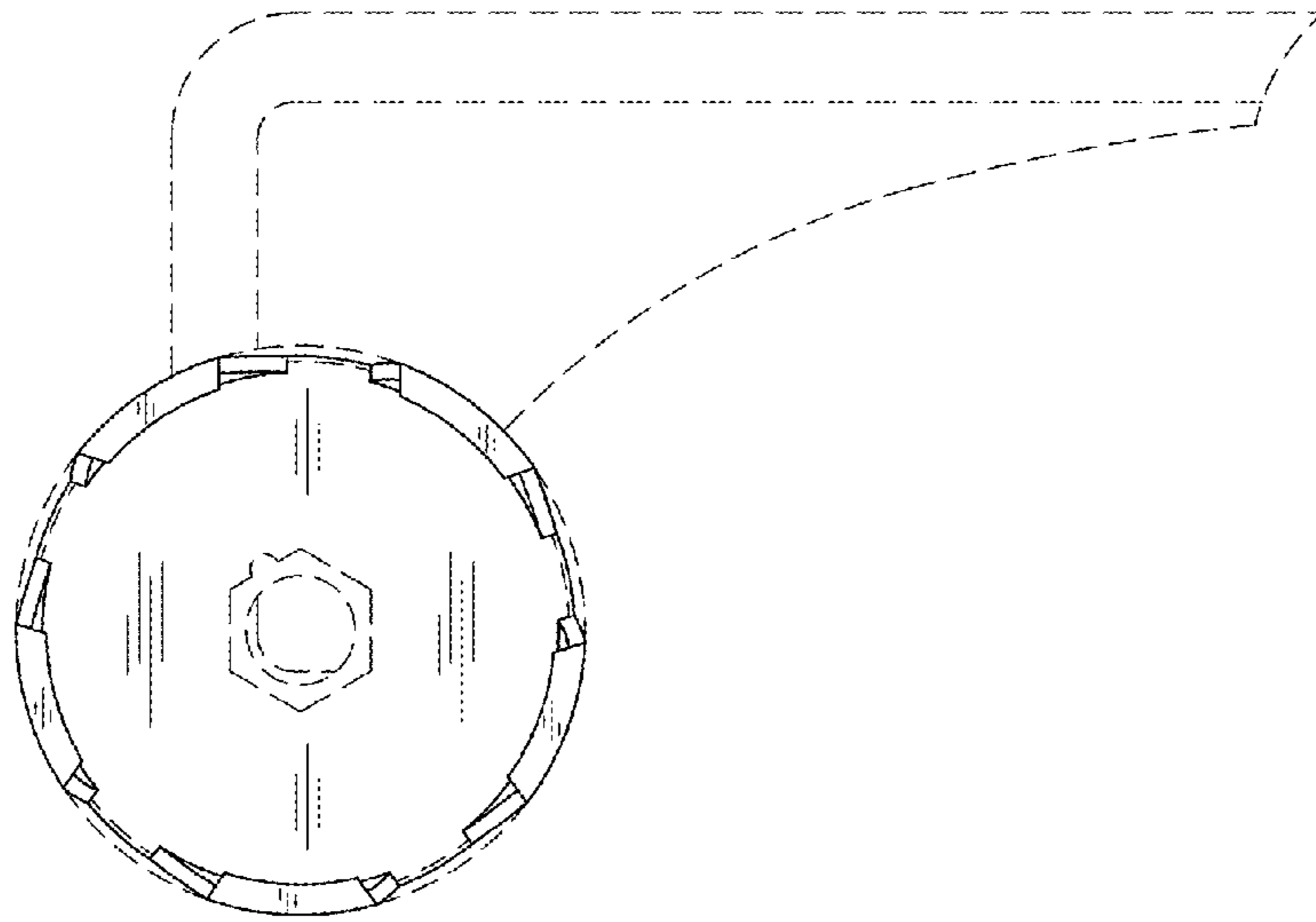


FIG. 3

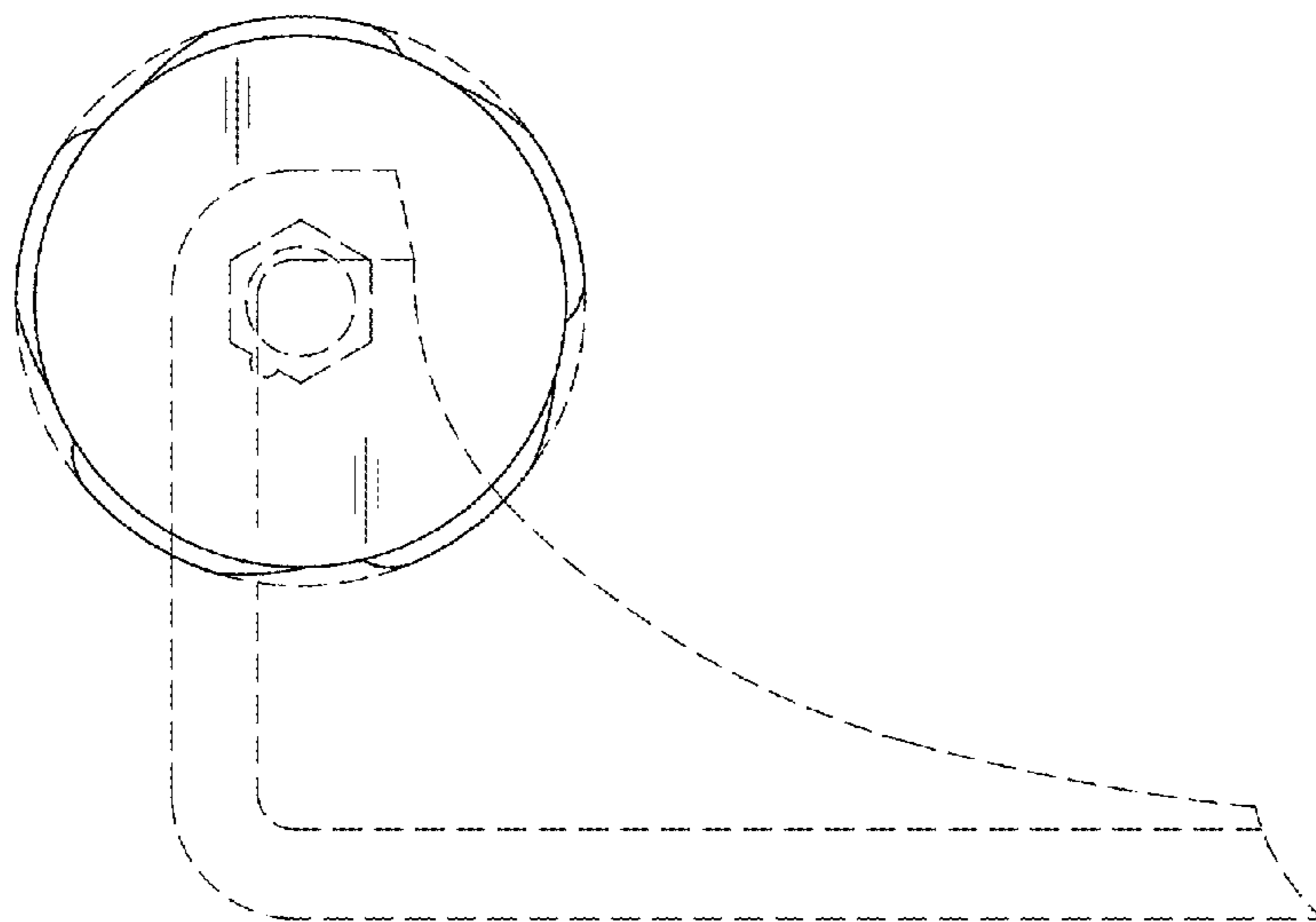


FIG. 2

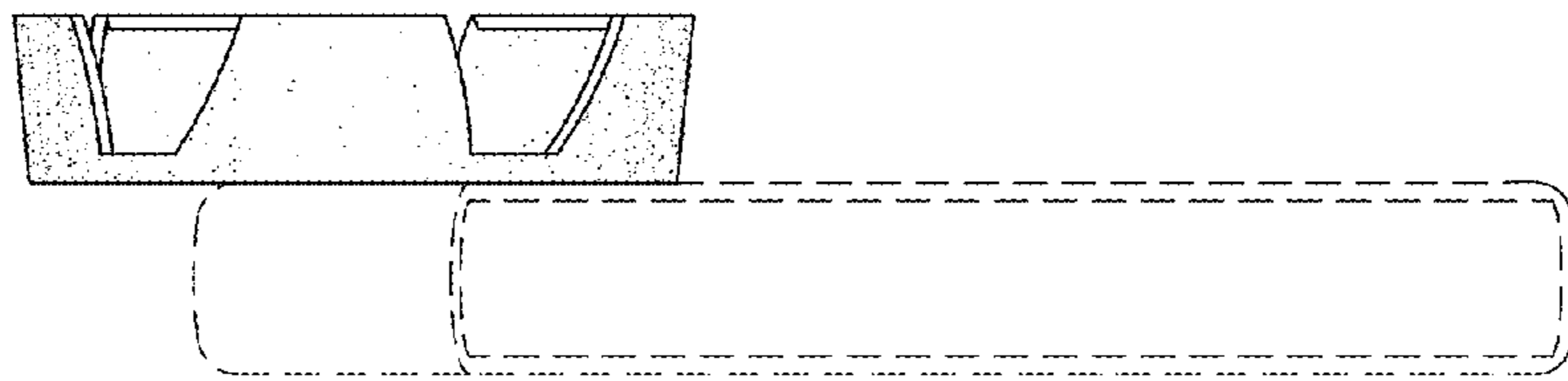


FIG. 5

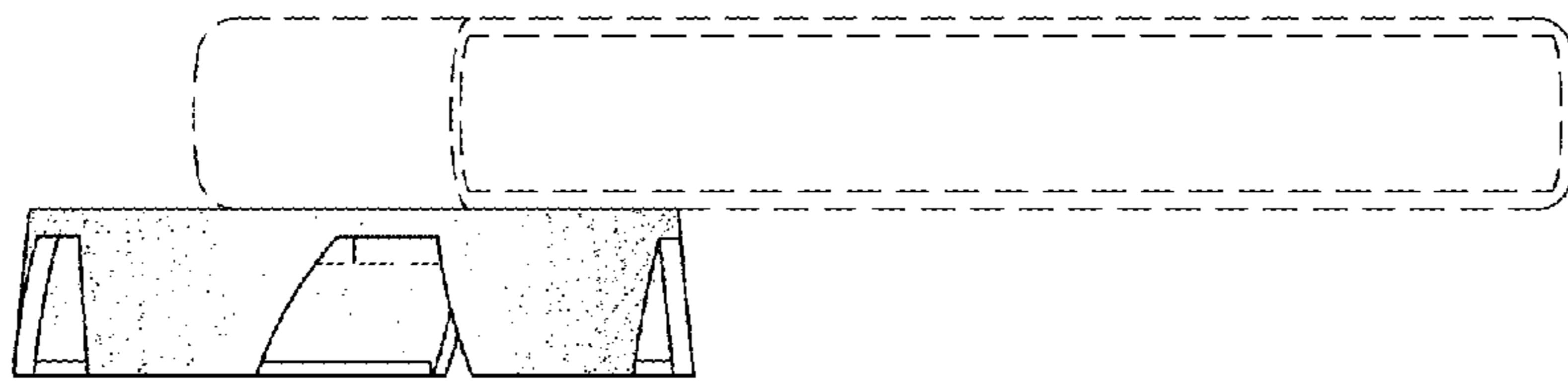


FIG. 4

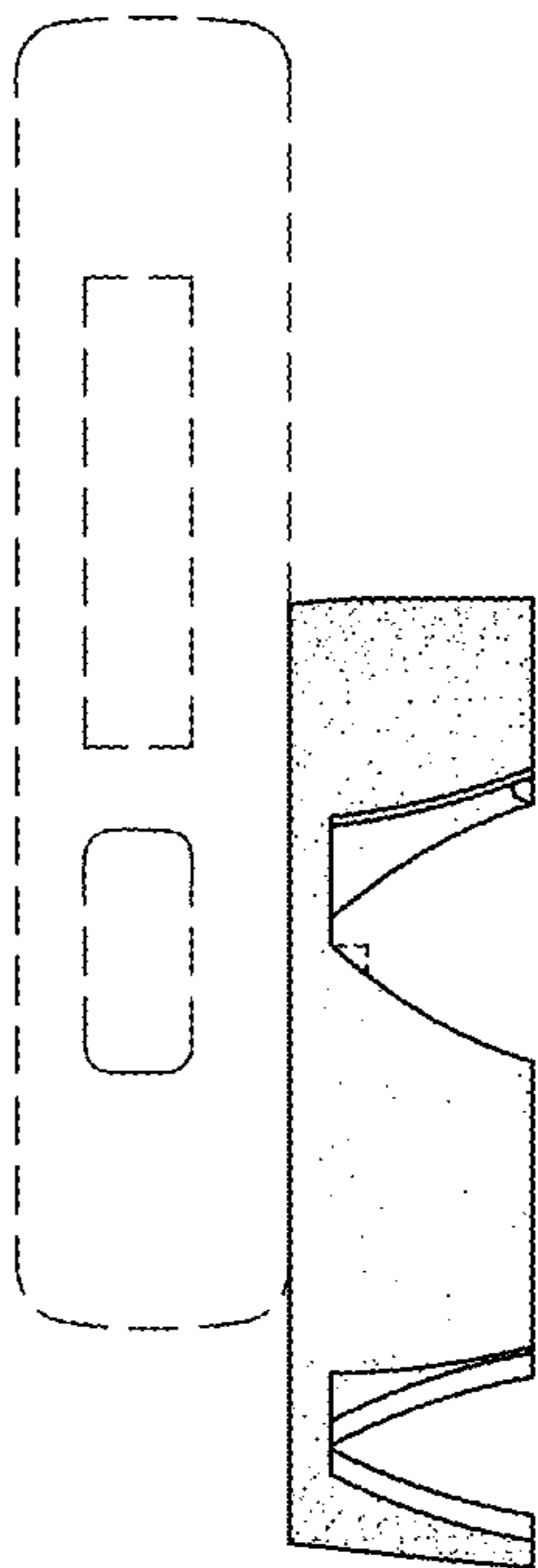


FIG. 6

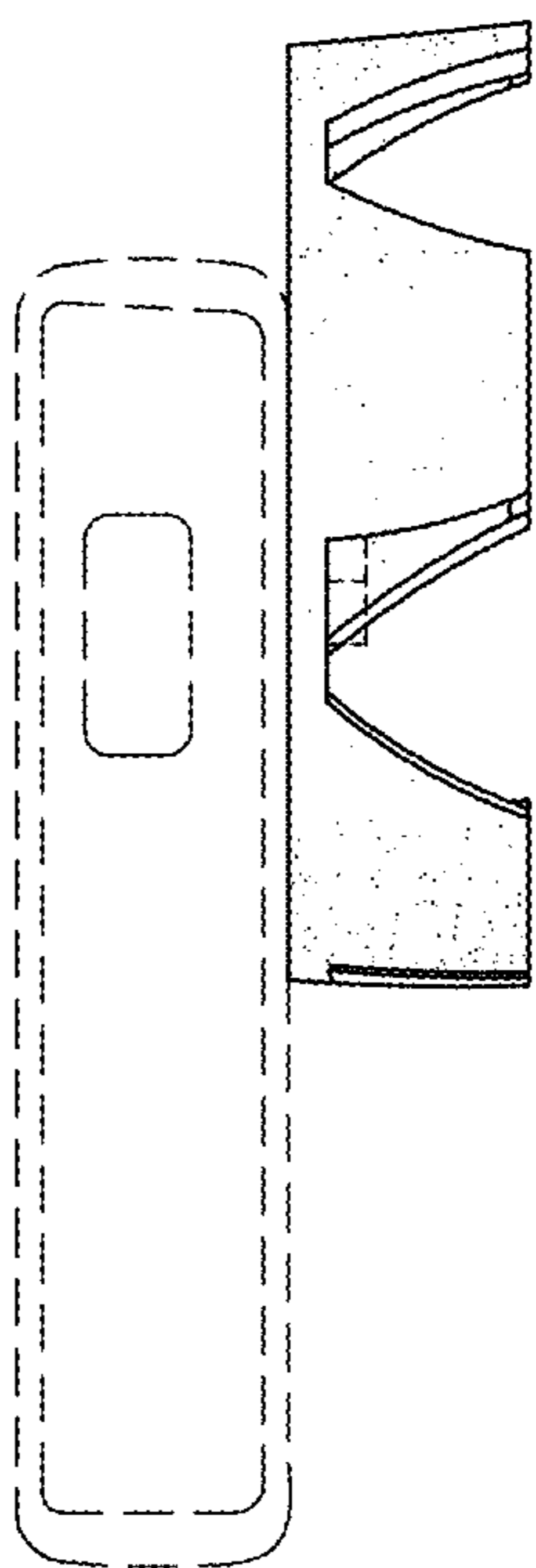


FIG. 7