



US00D708652S

(12) **United States Design Patent**
Hyers

(10) **Patent No.:** **US D708,652 S**

(45) **Date of Patent:** **** Jul. 8, 2014**

(54) **LENS MAGNET ADAPTOR**

(71) Applicant: **Carson Optical, Inc.**, Hauppauge, NY (US)

(72) Inventor: **Michelle Hyers**, Hicksville, NY (US)

(73) Assignee: **Carson Optical, Inc.**, Hauppauge, NY (US)

(**) Term: **14 Years**

(21) Appl. No.: **29/445,526**

(22) Filed: **Feb. 13, 2013**

(51) **LOC (10) Cl.** **16-06**

(52) **U.S. Cl.**
USPC **D16/136**

(58) **Field of Classification Search**
CPC G02B 7/02
USPC D16/135, 136, 130, 245; D10/62;
D14/426, 425, 432; D3/212;
359/811-814, 815-818, 819, 827;
455/90.3, 575, 1, 566.1; 206/818

See application file for complete search history.

(56) **References Cited**

U.S. PATENT DOCUMENTS

D178,766 S *	9/1956	Cressaty	D16/135
D224,446 S *	7/1972	Orfel	D16/135
D269,184 S *	5/1983	Tweedie	D16/135
D270,063 S *	8/1983	Ackeret	D6/308
D275,497 S *	9/1984	Bader	D16/135
D275,766 S *	10/1984	Suzuki	D16/134
D497,377 S *	10/2004	Waggoner et al.	D16/135
D530,353 S *	10/2006	Jarosinski et al.	D16/135
D543,470 S *	5/2007	Bhavnani	D10/2

D544,008 S *	6/2007	Stewart	D16/135
D572,284 S *	7/2008	Kit	D16/135
D637,218 S *	5/2011	Shih et al.	D16/130
D649,995 S *	12/2011	Farenski et al.	D16/135
8,073,324 B2 *	12/2011	Tsai	396/544
8,279,544 B1 *	10/2012	O'Neill	359/827
D685,833 S *	7/2013	Papageorgiou et al.	D16/135
D690,343 S *	9/2013	Yip et al.	D16/135
2012/0236425 A1 *	9/2012	O'Neill	359/827
2013/0002939 A1 *	1/2013	O'Neill	348/360

OTHER PUBLICATIONS

Premier Systems USA, Inc Olloclip—Attachment A <http://www.olloclip.com/>.

* cited by examiner

Primary Examiner — Paula Greene

(74) *Attorney, Agent, or Firm* — Carmody Torrance Sandak & Hennessey LLP

(57) **CLAIM**

The ornamental design for a lens magnet adaptor, as shown and described.

DESCRIPTION

FIG. 1 is a bottom perspective view of the lens magnet adaptor showing our new design;

FIG. 2 is a right side elevational view thereof;

FIG. 3 is a left side elevational view thereof;

FIG. 4 is a top plan view thereof;

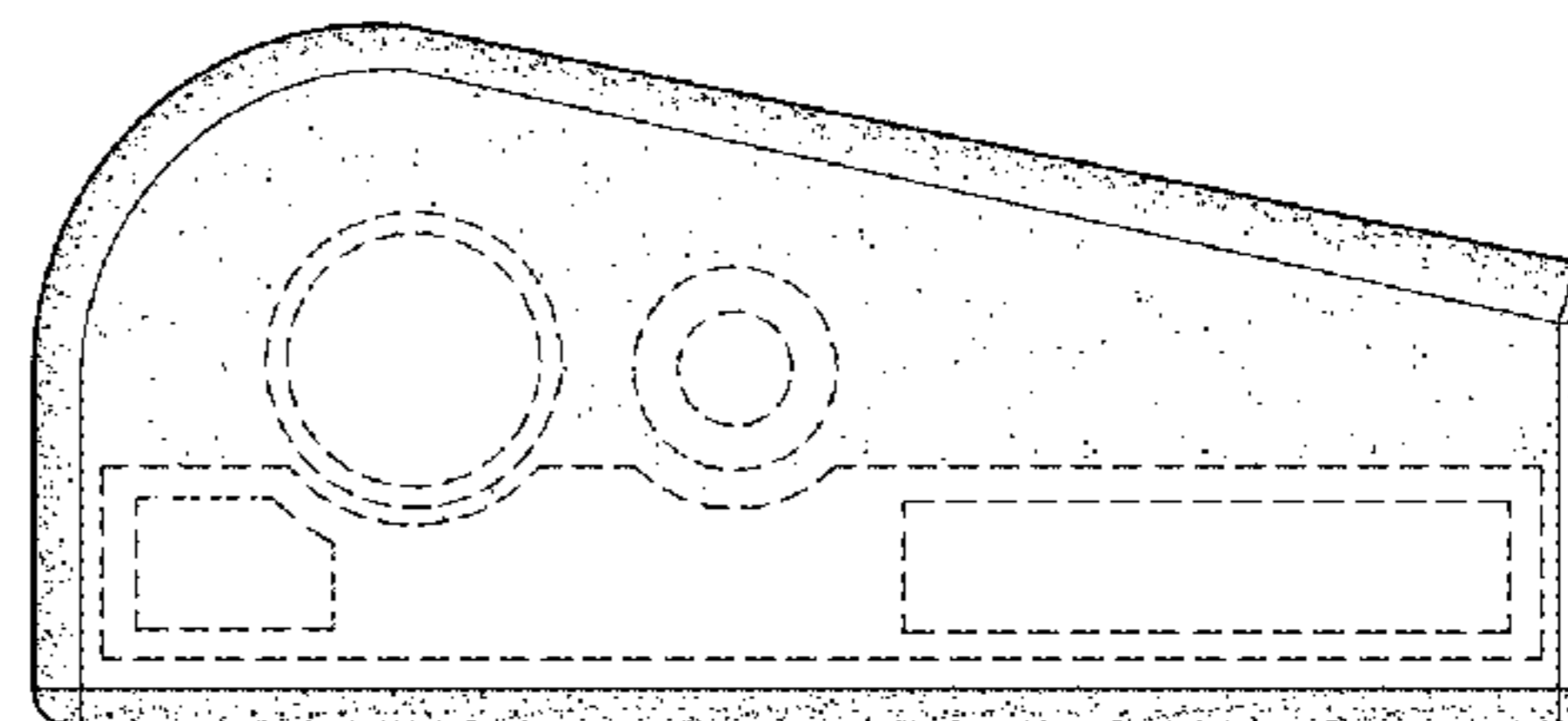
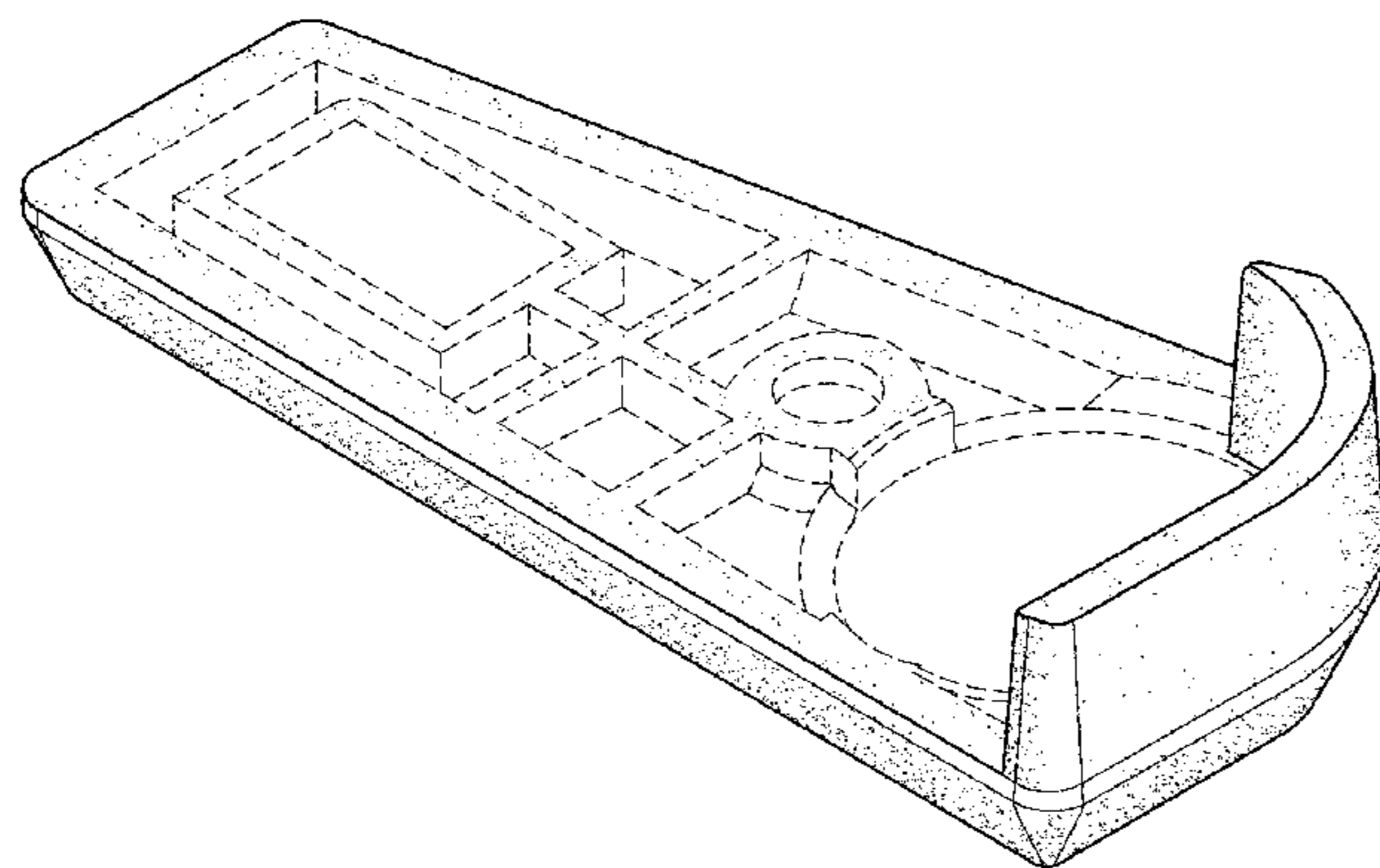
FIG. 5 is a bottom plan view thereof;

FIG. 6 is a first end elevational view thereof; and,

FIG. 7 is a second end elevational view thereof.

The dotted lines are intended to show features that are environmental only and form no part of the claimed design.

1 Claim, 4 Drawing Sheets



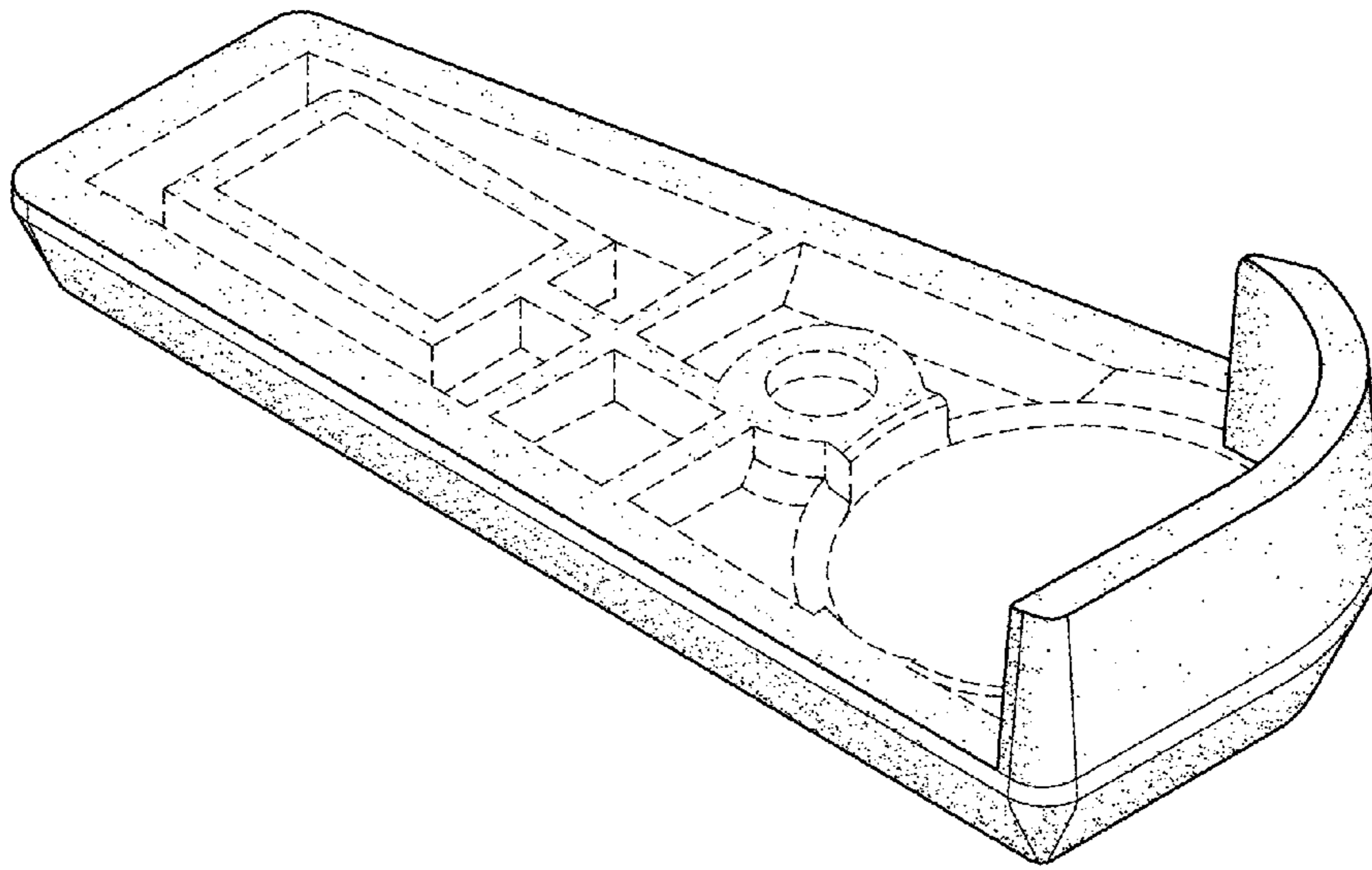


FIG. 1

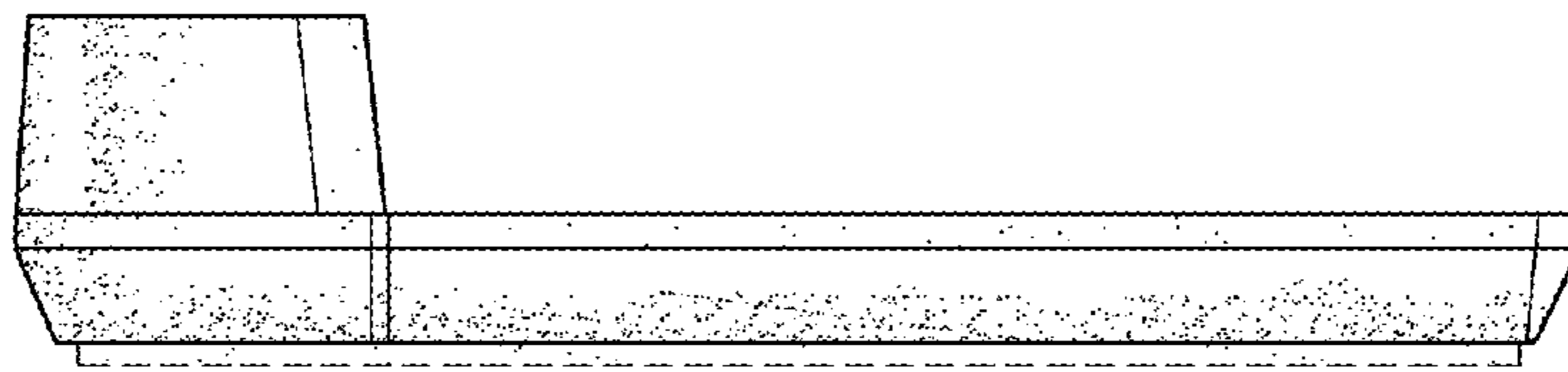


FIG. 2

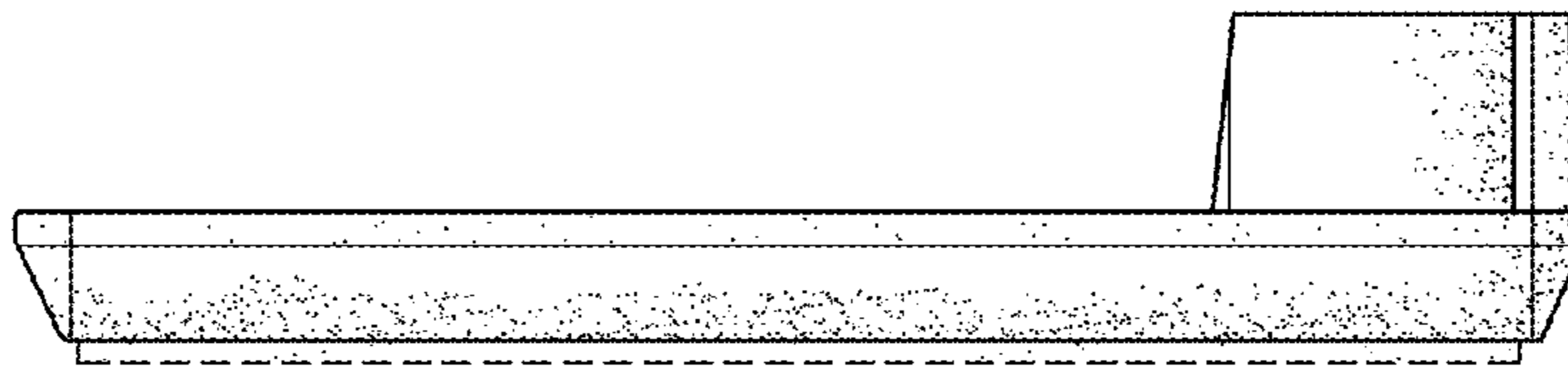


FIG. 3

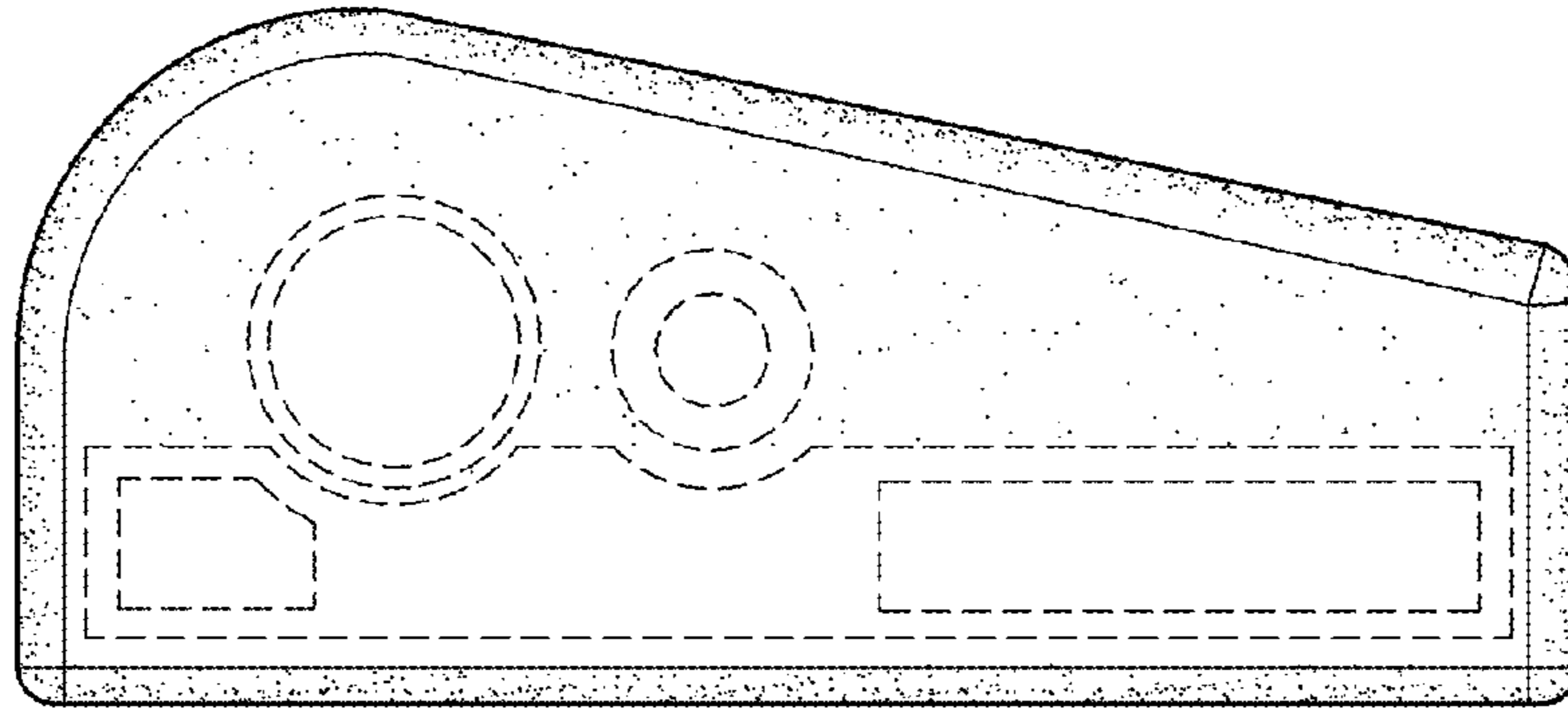


FIG. 4

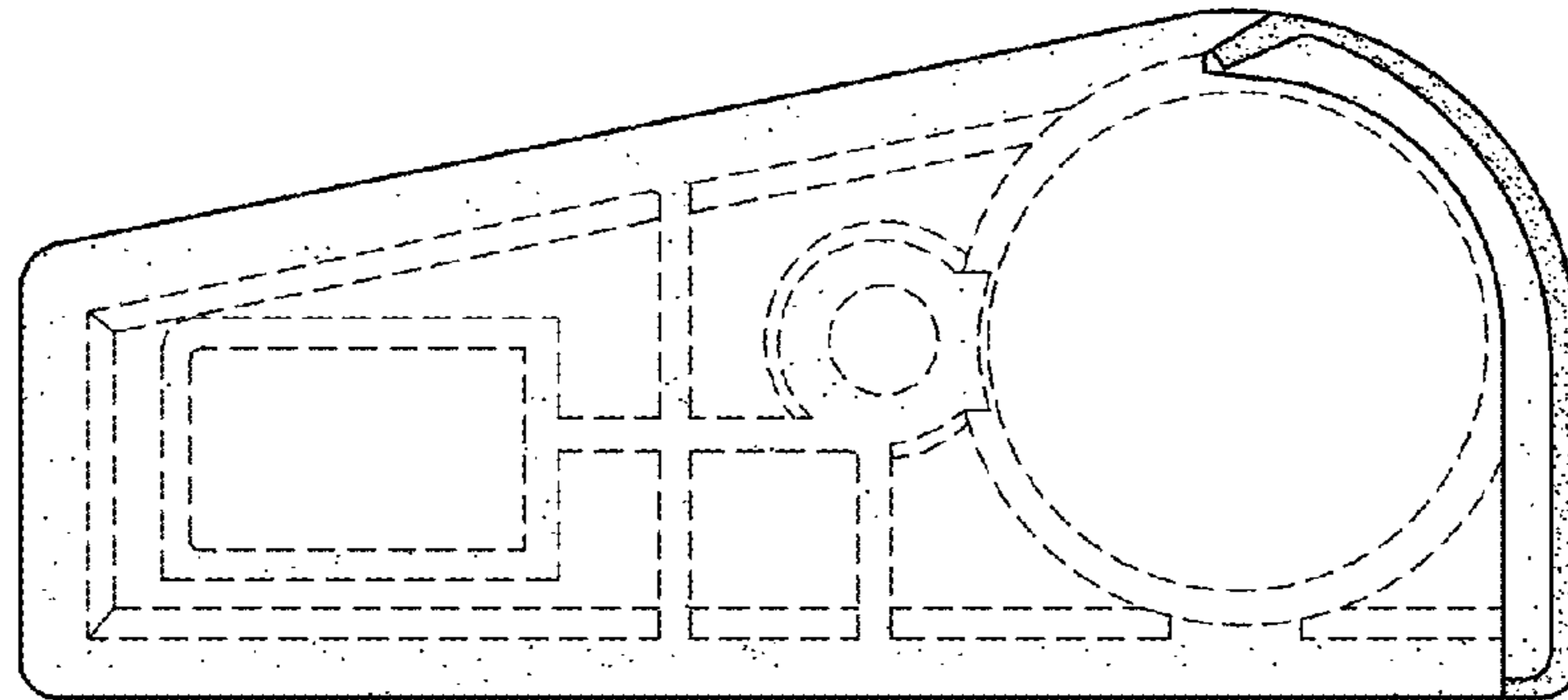


FIG. 5

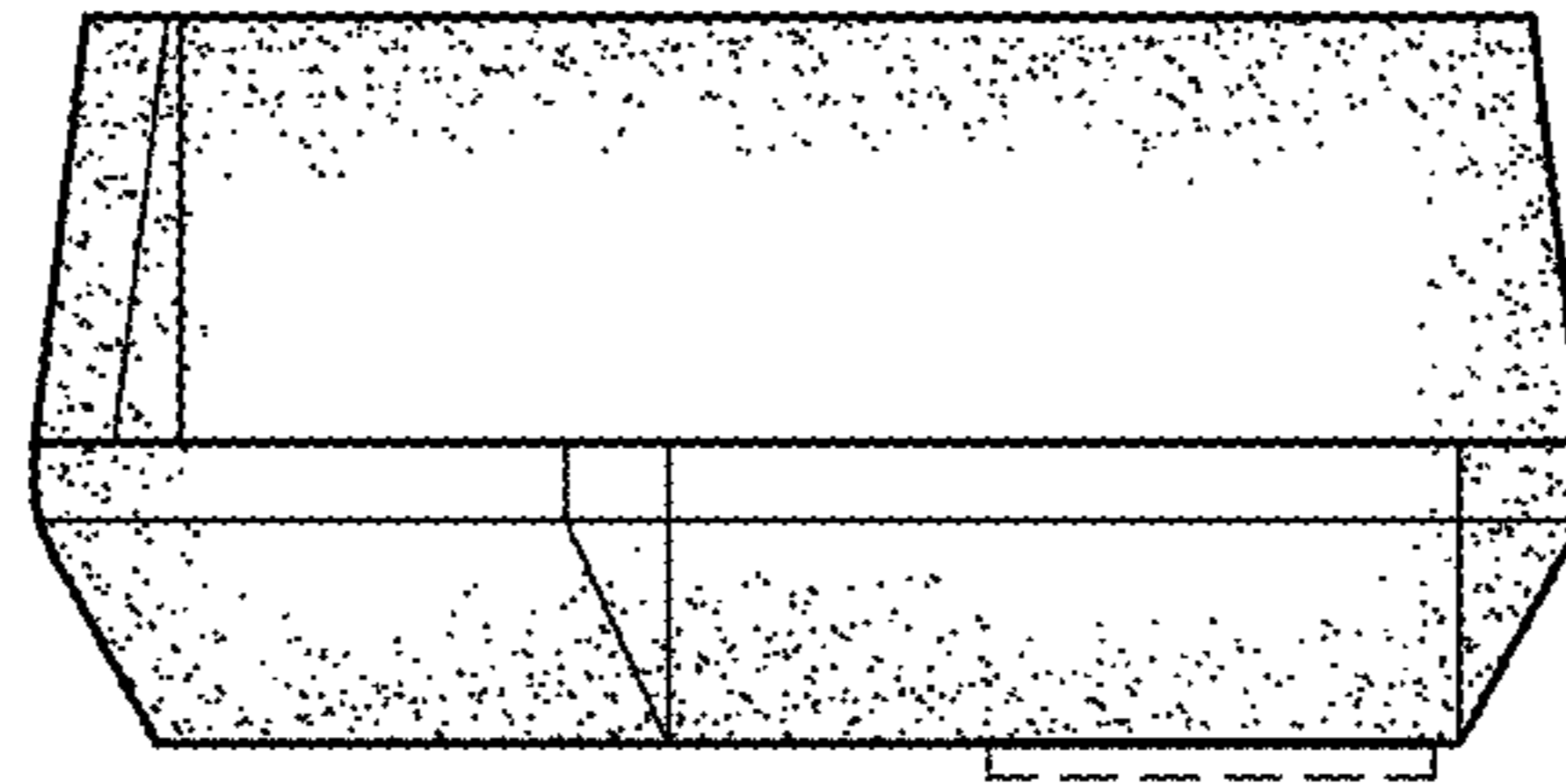


FIG. 6

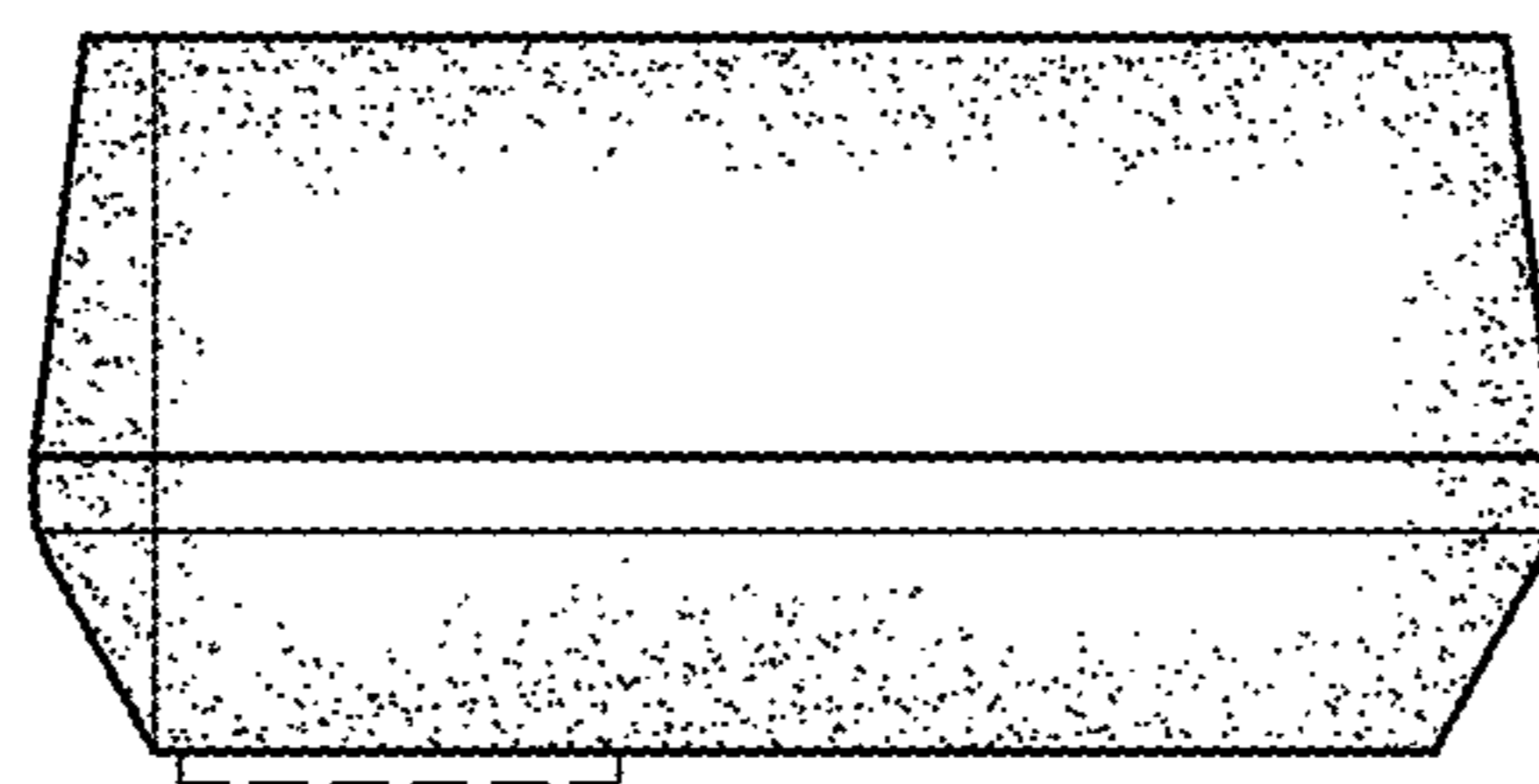


FIG. 7