



US00D708649S

(12) **United States Design Patent**  
**Rollenhagen et al.**

(10) **Patent No.:** **US D708,649 S**  
(45) **Date of Patent:** **\*\* Jul. 8, 2014**

(54) **BULK SEED TANK**

(56) **References Cited**

(71) Applicant: **Kinze Manufacturing, Inc.,**  
Williamsburg, IA (US)

U.S. PATENT DOCUMENTS

(72) Inventors: **Trevor Rollenhagen,** North Liberty, IA  
(US); **Susanne Veatch,** Iowa City, IA  
(US); **Luc Van Herle,** North Liberty, IA  
(US); **Rhett Schildroth,** North Liberty,  
IA (US)

D335,293	S	*	5/1993	Pingry et al.	.....	D15/28
7,578,247	B2	*	8/2009	Horn	.....	111/200
8,215,413	B2	*	7/2012	Friggstad	.....	172/452
2003/0110999	A1	*	6/2003	Meyer et al.	.....	111/63
2009/0000534	A1	*	1/2009	Horn	.....	111/200
2009/0178600	A1	*	7/2009	Horn et al.	.....	111/52
2010/0025056	A1	*	2/2010	Friggstad	.....	172/452
2010/0126744	A1	*	5/2010	Poole	.....	172/311

\* cited by examiner

(73) Assignee: **Kinze Manufacturing, Inc.,**  
Williamsburg, IA (US)

*Primary Examiner* — Mark Goodwin

(\*\*) Term: **14 Years**

(74) *Attorney, Agent, or Firm* — McKee, Voorhees & Sease

(21) Appl. No.: **29/451,446**

(57) **CLAIM**

We claim the ornamental design for a bulk seed tank, substantially as shown and described.

(22) Filed: **Apr. 2, 2013**

**DESCRIPTION**

(51) **LOC (10) Cl.** ..... **15-03**

(52) **U.S. Cl.**  
USPC ..... **D15/28**

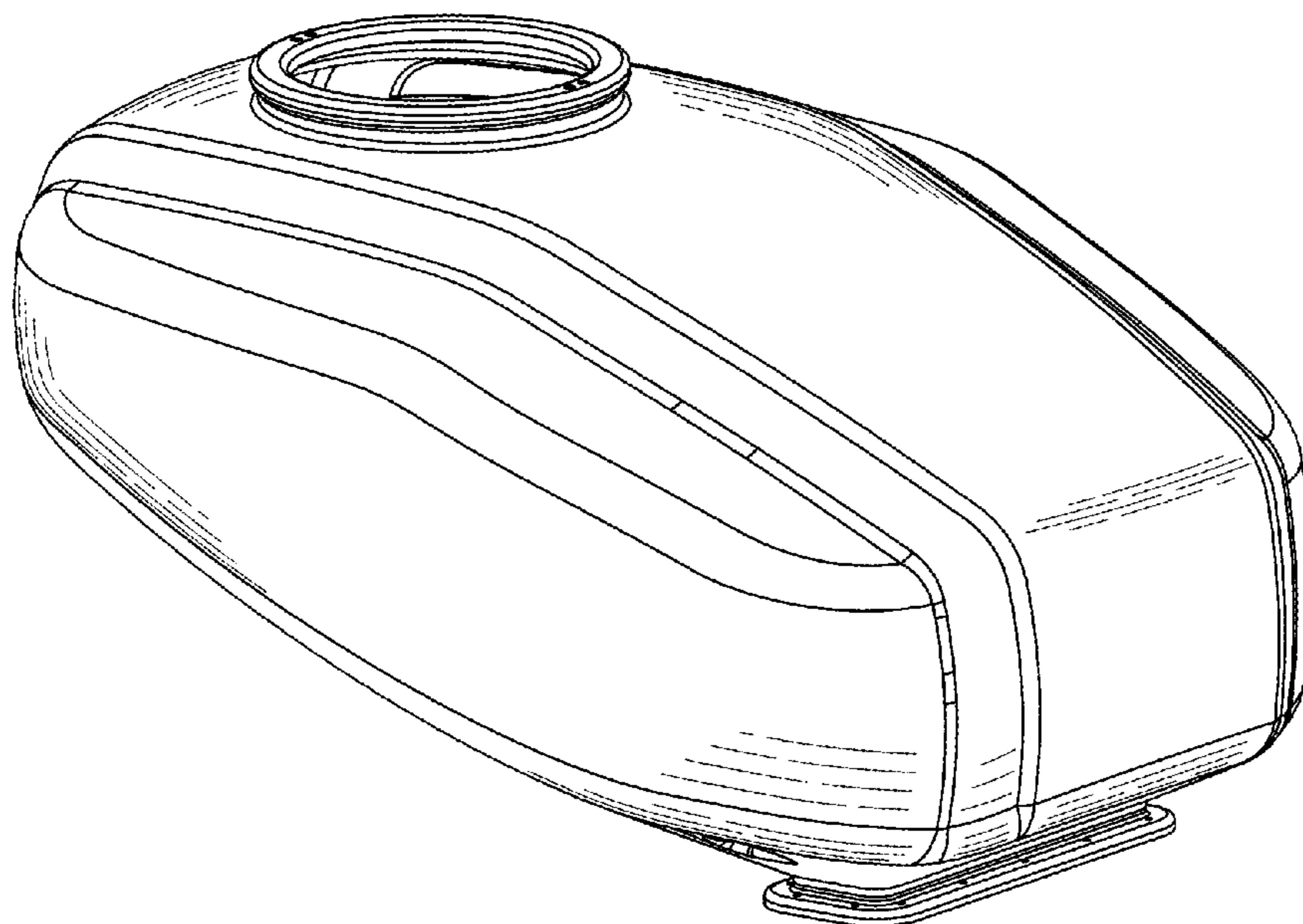
(58) **Field of Classification Search**  
USPC ..... D15/10, 13-17, 28, 21, 27; D12/218;  
D23/200, 202, 213; 414/725, 912;  
37/442, 403; 111/118; 137/544;  
220/587, 565, 567.1; 210/532.2;  
123/563; 222/185.1, 608; 239/683,  
239/687, 72, 289, 722

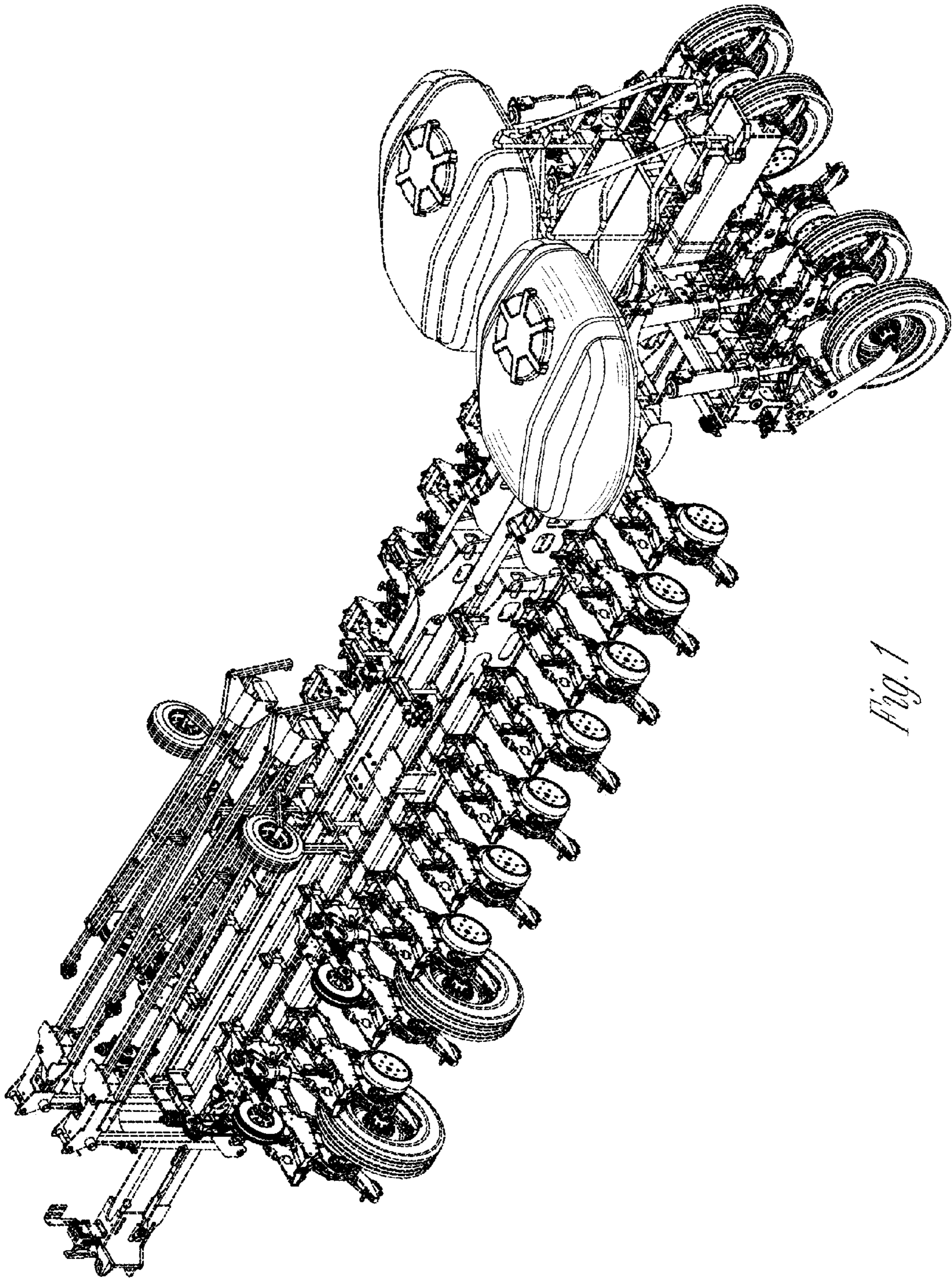
FIG. 1 is a perspective view of a bulk seed tank according to the present invention;  
FIG. 2 is a perspective elevation view of the bulk seed tank;  
FIG. 3 is a front elevation view thereof;  
FIG. 4 is a rear elevation view thereof;  
FIG. 5 is a right side elevation view thereof;  
FIG. 6 is a left side elevation view thereof;  
FIG. 7 is a top plan view thereof; and,  
FIG. 8 is a bottom plan view thereof.

Applicants make no claim to the structure shown in broken lines in the drawings. Furthermore, Applicants note that the markings on the figures are for shading purposes only, and are not to be considered a part of the design of the present invention.

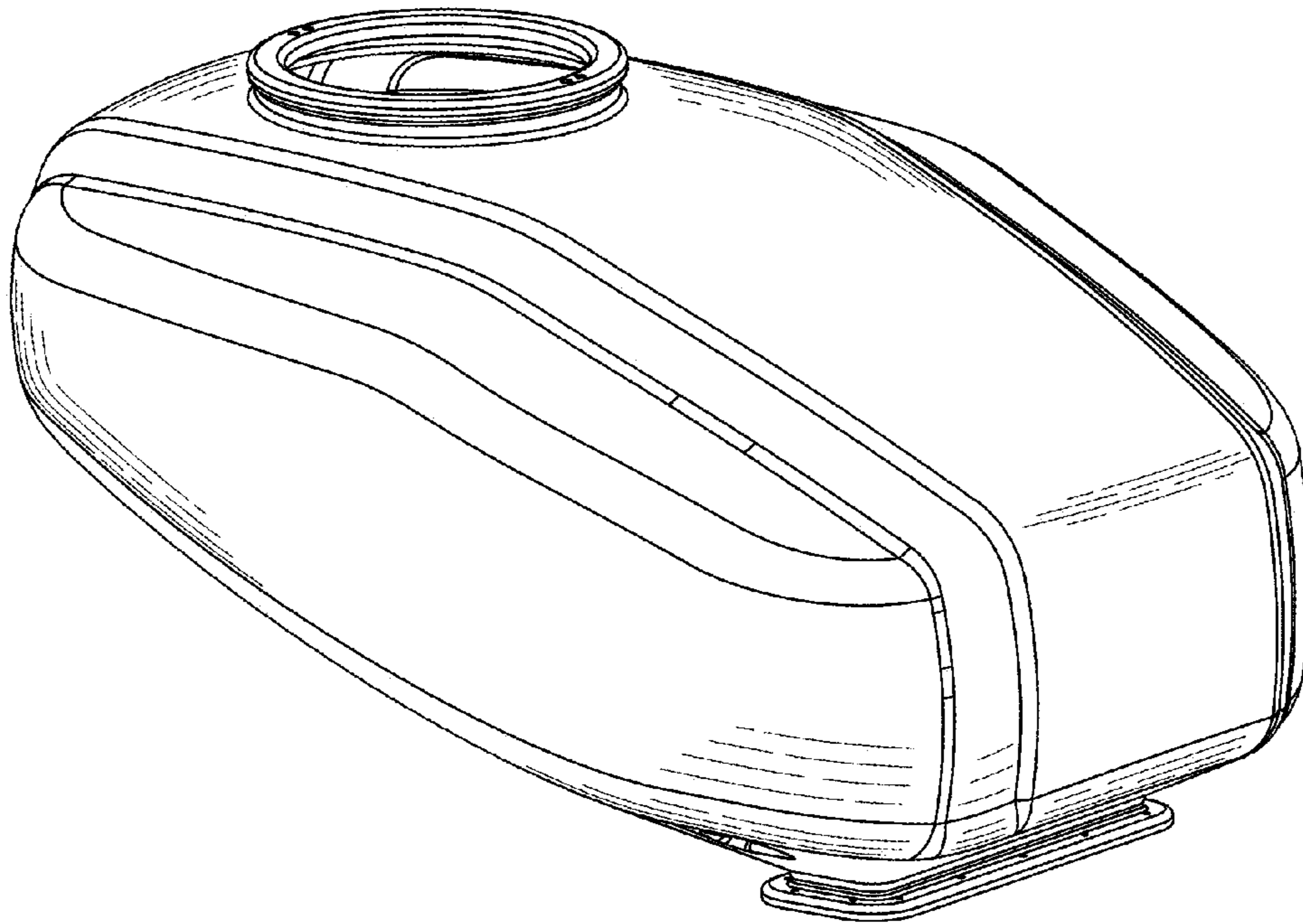
See application file for complete search history.

**1 Claim, 6 Drawing Sheets**

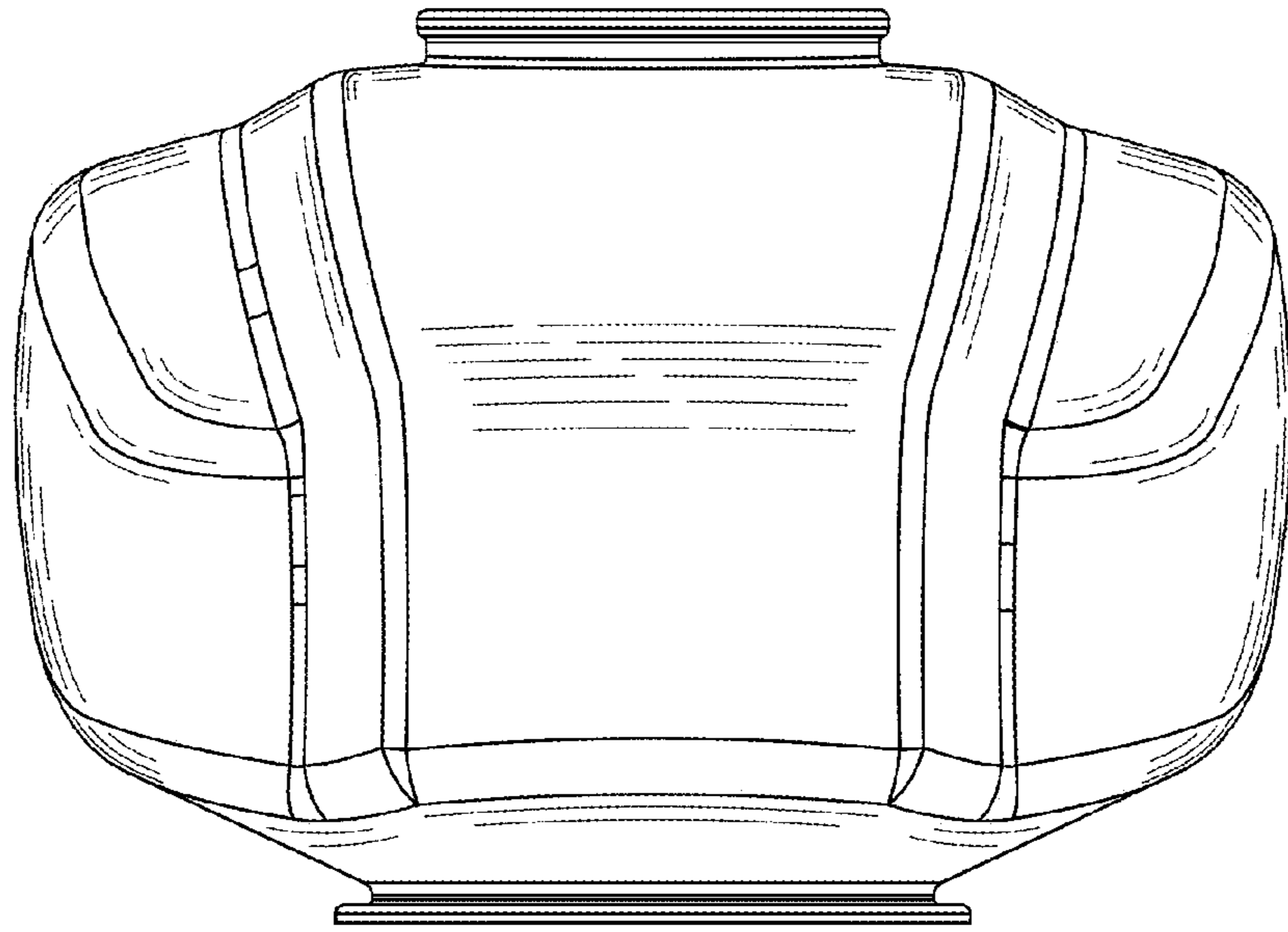




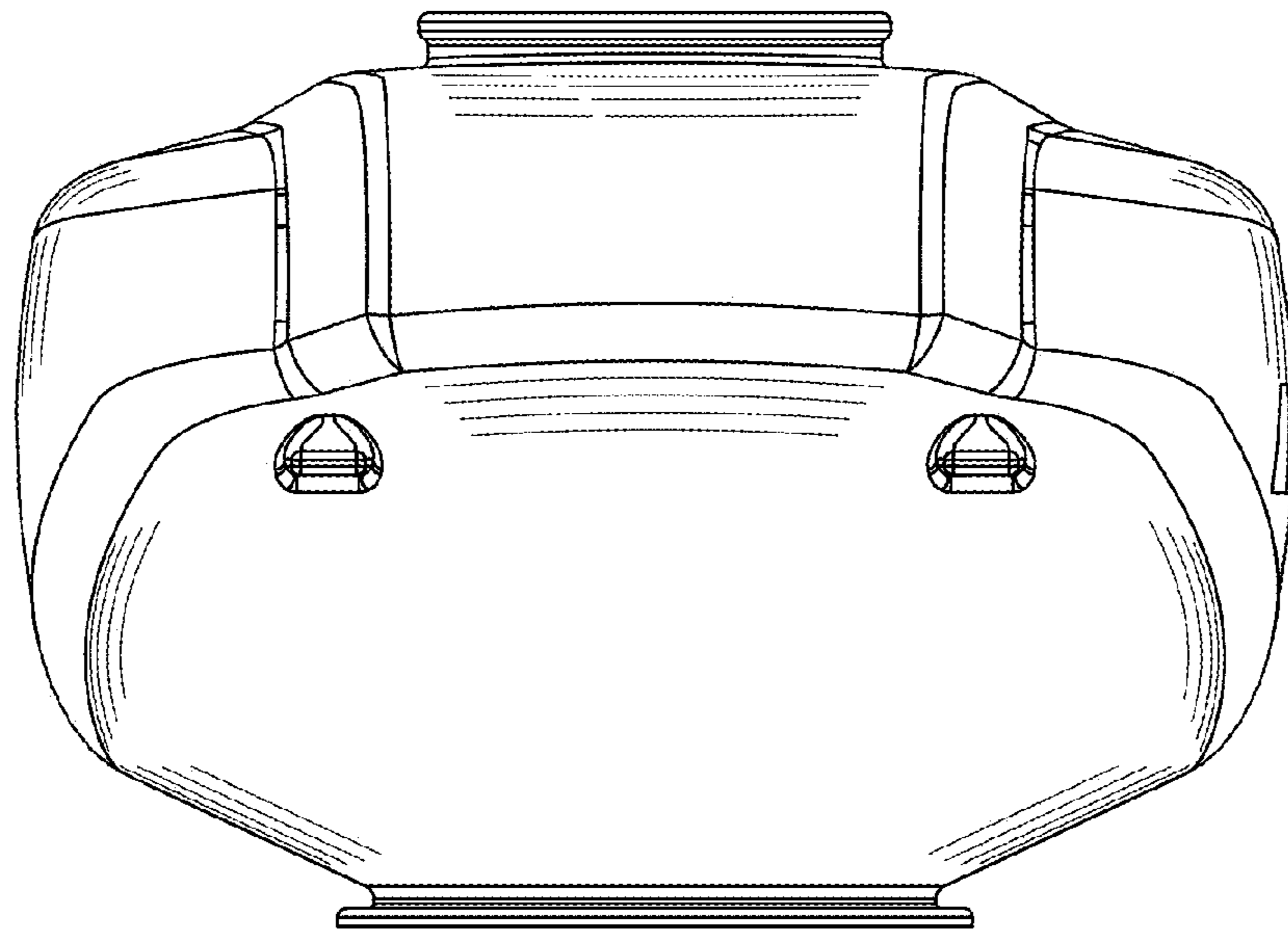
*Fig. 1*



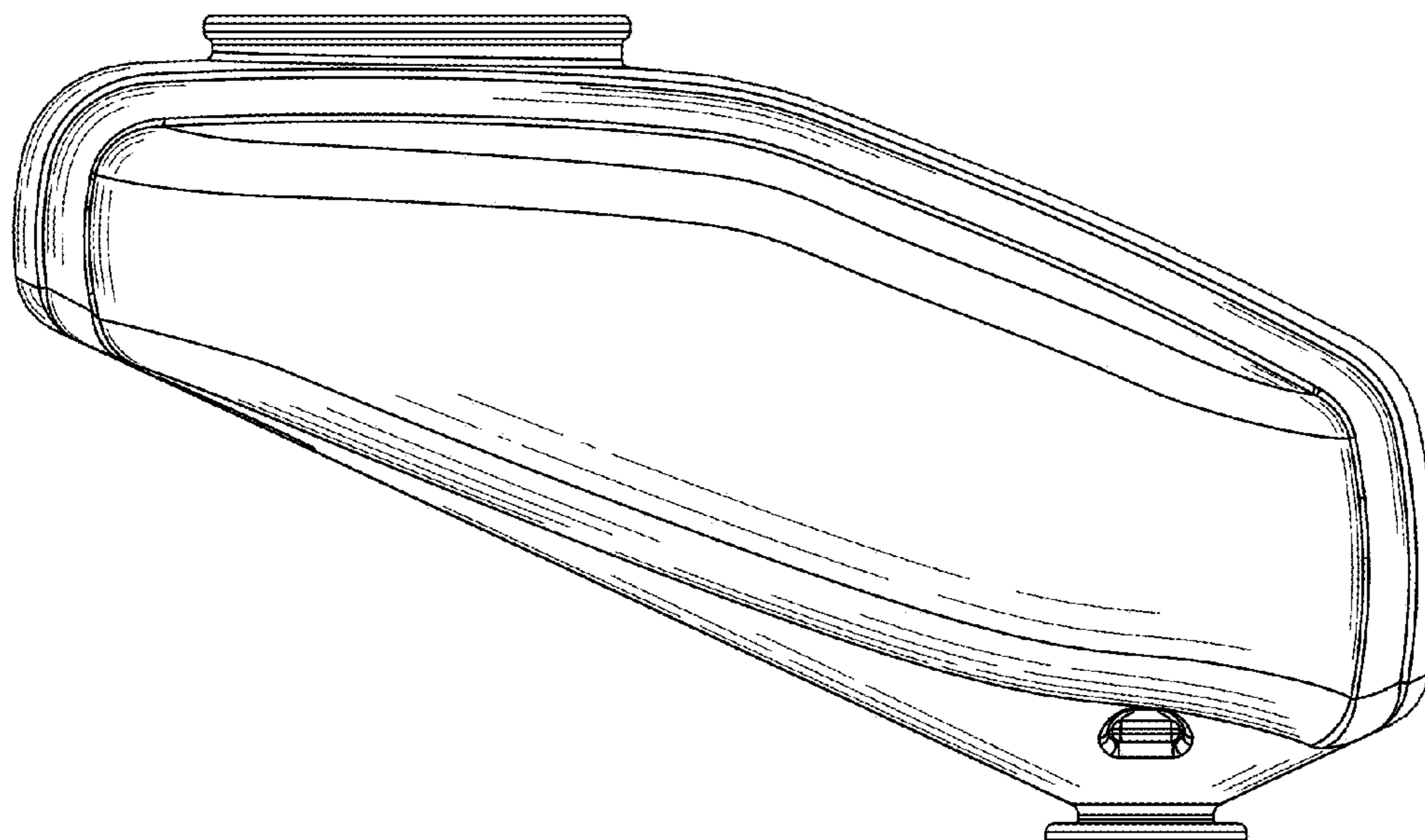
*Fig. 2*



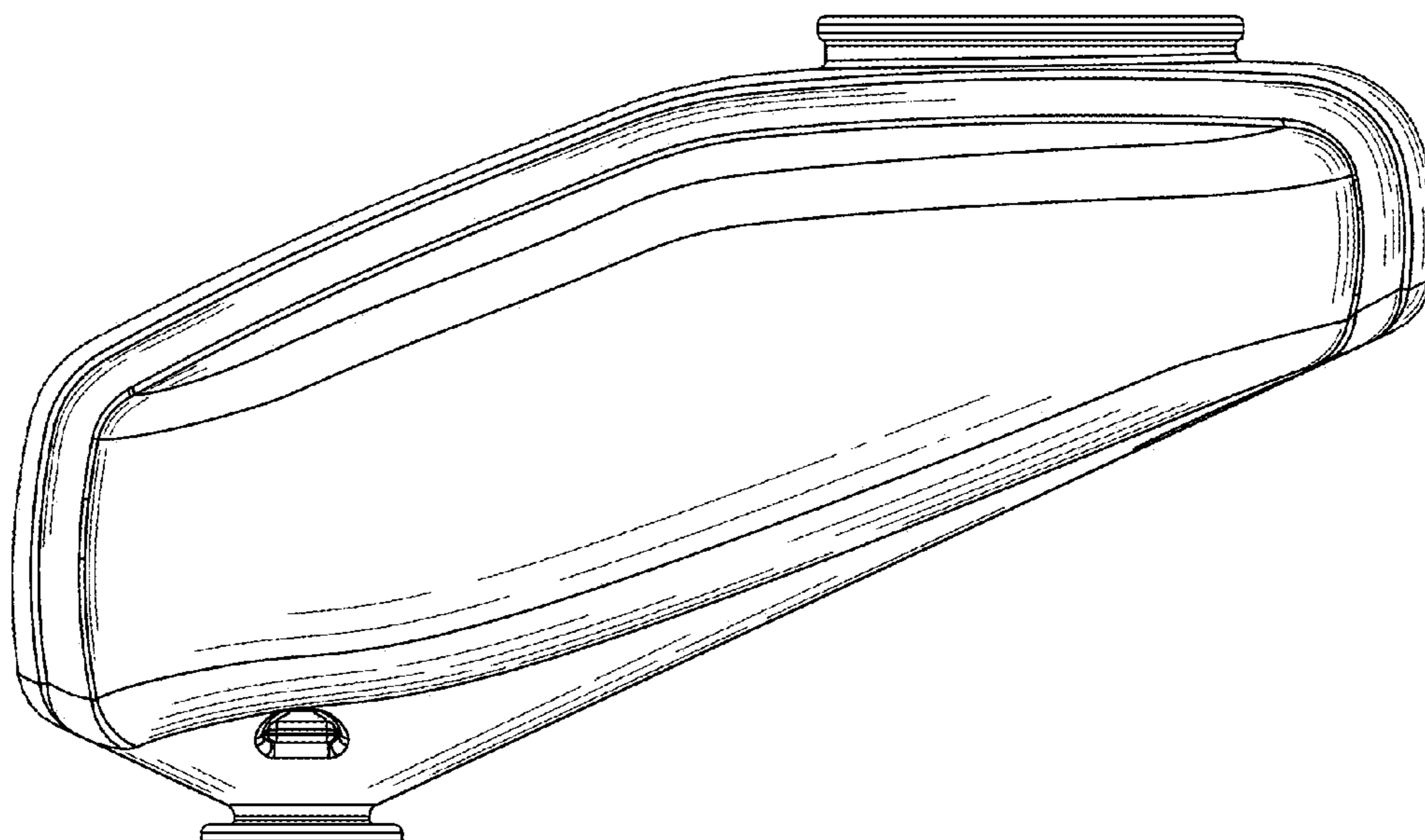
*Fig. 3*



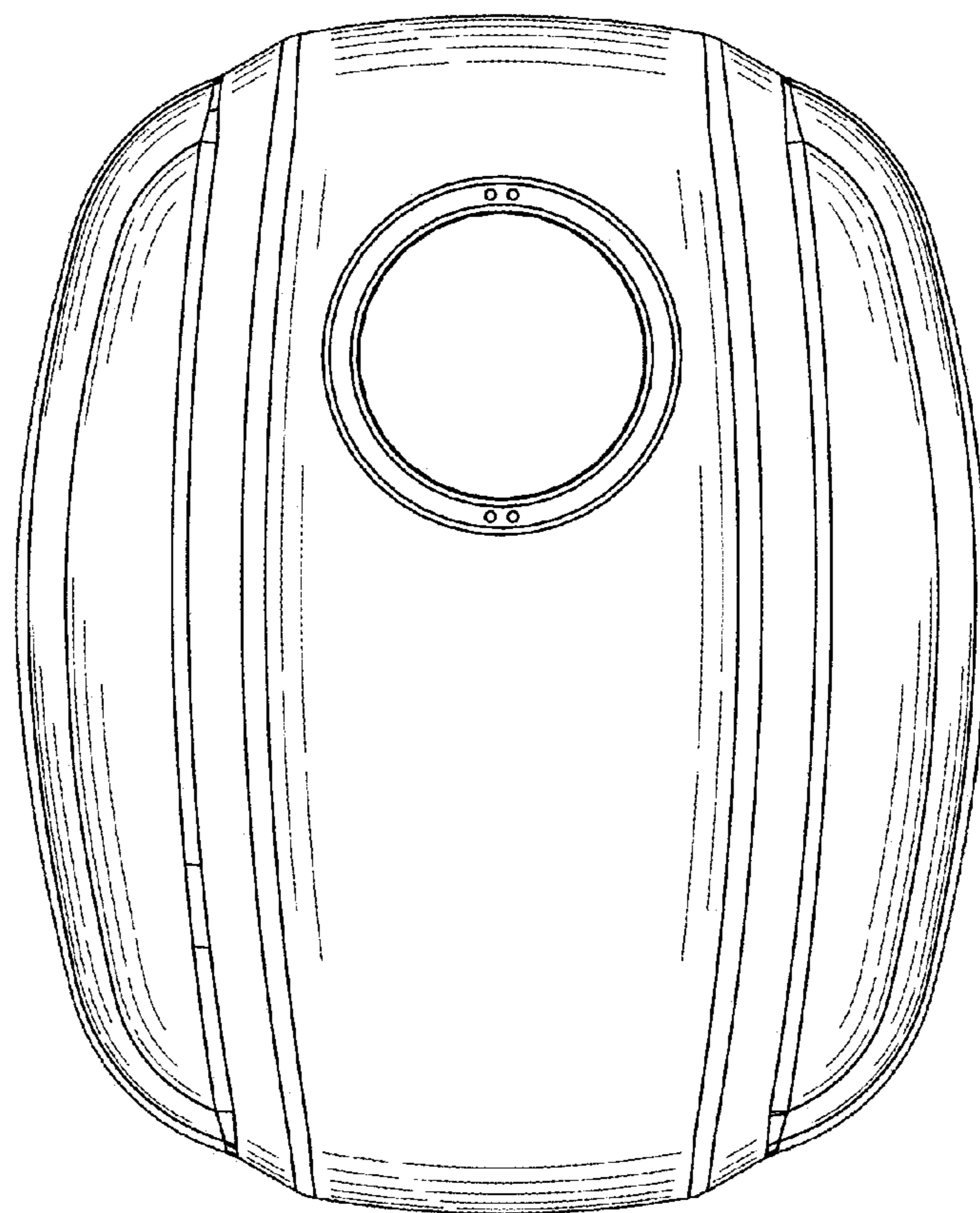
*Fig. 4*



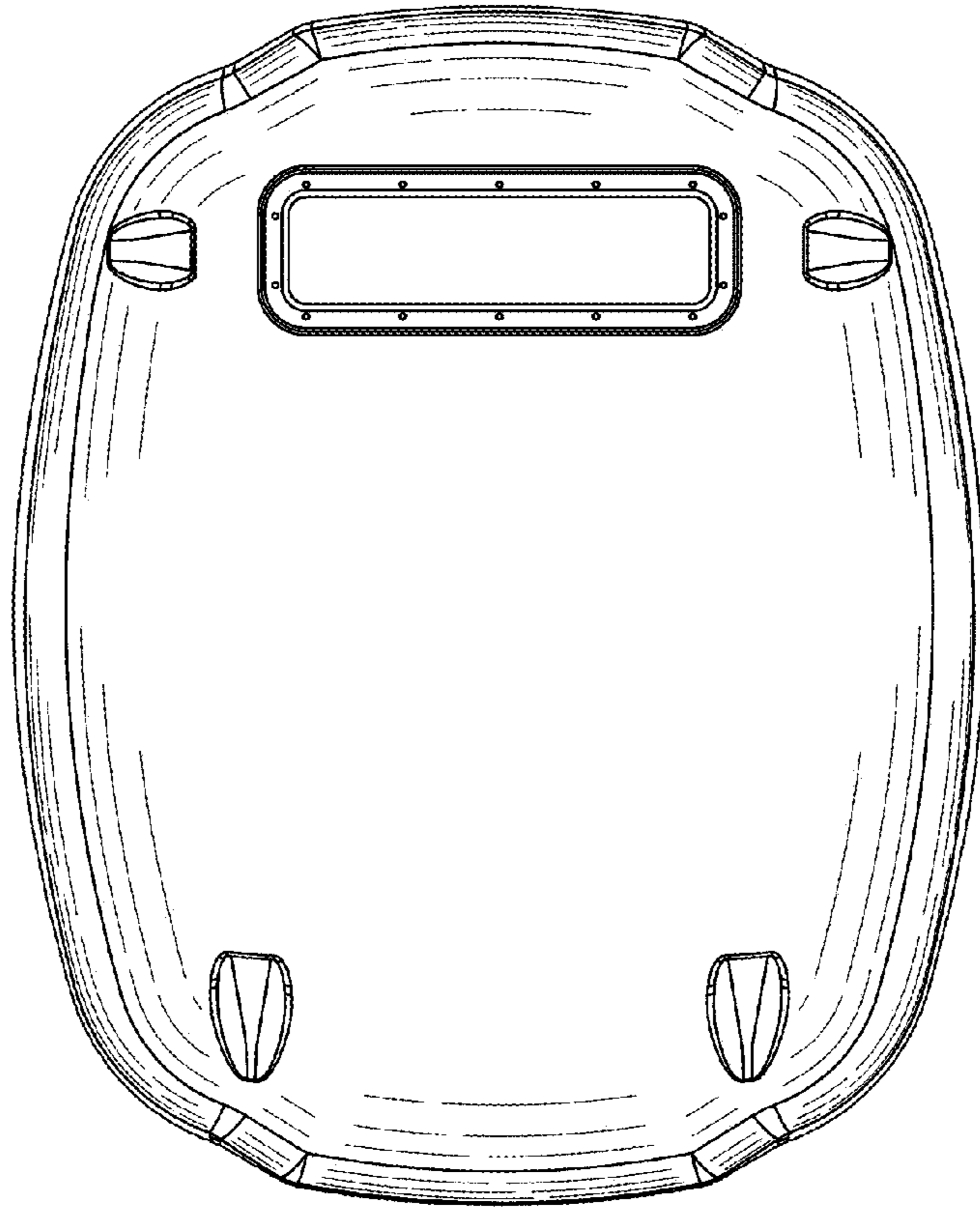
*Fig. 5*



*Fig. 6*



*Fig. 7*



*Fig. 8*