



US00D708648S

(12) **United States Design Patent**
Orsini

(10) **Patent No.:** **US D708,648 S**
(45) **Date of Patent:** **** Jul. 8, 2014**

(54) **UTILITY PUMP**

(71) Applicant: **Flow Control LLC**, Beverly, MA (US)

(72) Inventor: **Richard F. Orsini**, Waltham, MA (US)

(73) Assignee: **Flow Control LLC.**, Beverly, MA (US)

(**) Term: **14 Years**

(21) Appl. No.: **29/444,195**

(22) Filed: **Jan. 28, 2013**

(51) **LOC (10) Cl.** **15-02**

(52) **U.S. Cl.**
USPC **D15/7**

(58) **Field of Classification Search**
USPC D15/7-9; D23/231, 232, 225; 417/60,
417/235, 265, 321, 355, 358, 363, 359,
417/410.1, 415-416, 405, 900, 395;
60/408, 412; 184/26-37; 415/140-147;
123/495, 509

See application file for complete search history.

(56) **References Cited**

U.S. PATENT DOCUMENTS

D489,733 S * 5/2004 Leasure et al. D15/9
D499,429 S * 12/2004 Leasure D15/9

D517,092 S * 3/2006 Leasure et al. D15/9
D541,818 S * 5/2007 Rhea et al D15/7
D551,681 S * 9/2007 Rhea et al D15/9
D585,460 S * 1/2009 Plunk et al. D15/9
D602,502 S * 10/2009 Hopper D15/9
D605,663 S * 12/2009 Hopper D15/7
D620,500 S * 7/2010 Brandt et al. D15/9
D644,250 S * 8/2011 Barber et al. D15/7
D649,163 S * 11/2011 Moormann et al. D15/7
D649,164 S * 11/2011 Cook D15/7

* cited by examiner

Primary Examiner — Ralf Seifert

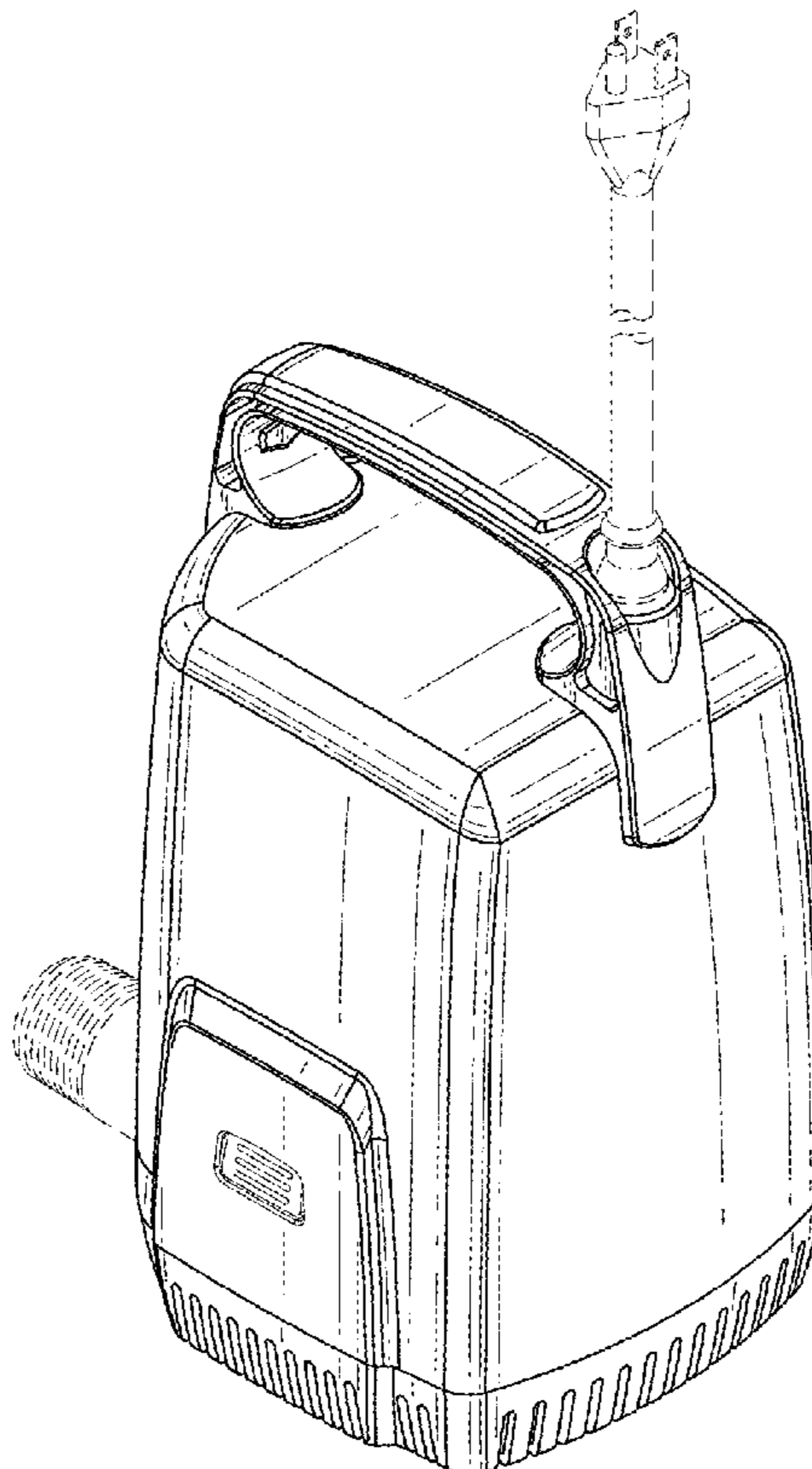
(57) **CLAIM**

I claim the ornamental design of a utility pump, as shown and described herein.

DESCRIPTION

FIG. 1 is a top perspective view of a utility pump showing my new design;
FIG. 2 is a bottom perspective view;
FIG. 3 is a side view;
FIG. 4 is a corresponding side view;
FIG. 5 is a back view;
FIG. 6 is a front view;
FIG. 7 is a top view; and,
FIG. 8 is a bottom view.

1 Claim, 4 Drawing Sheets



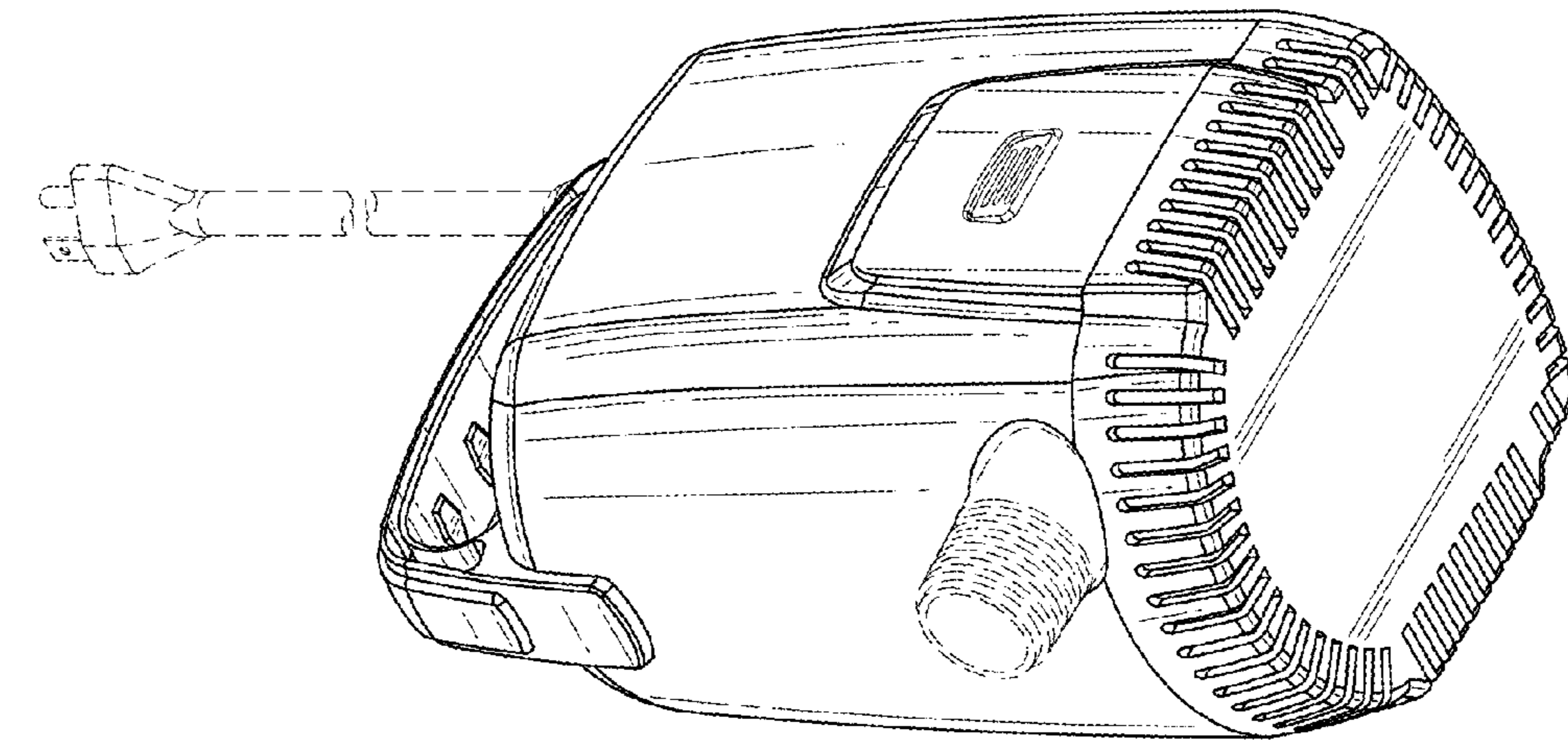


FIG. 1

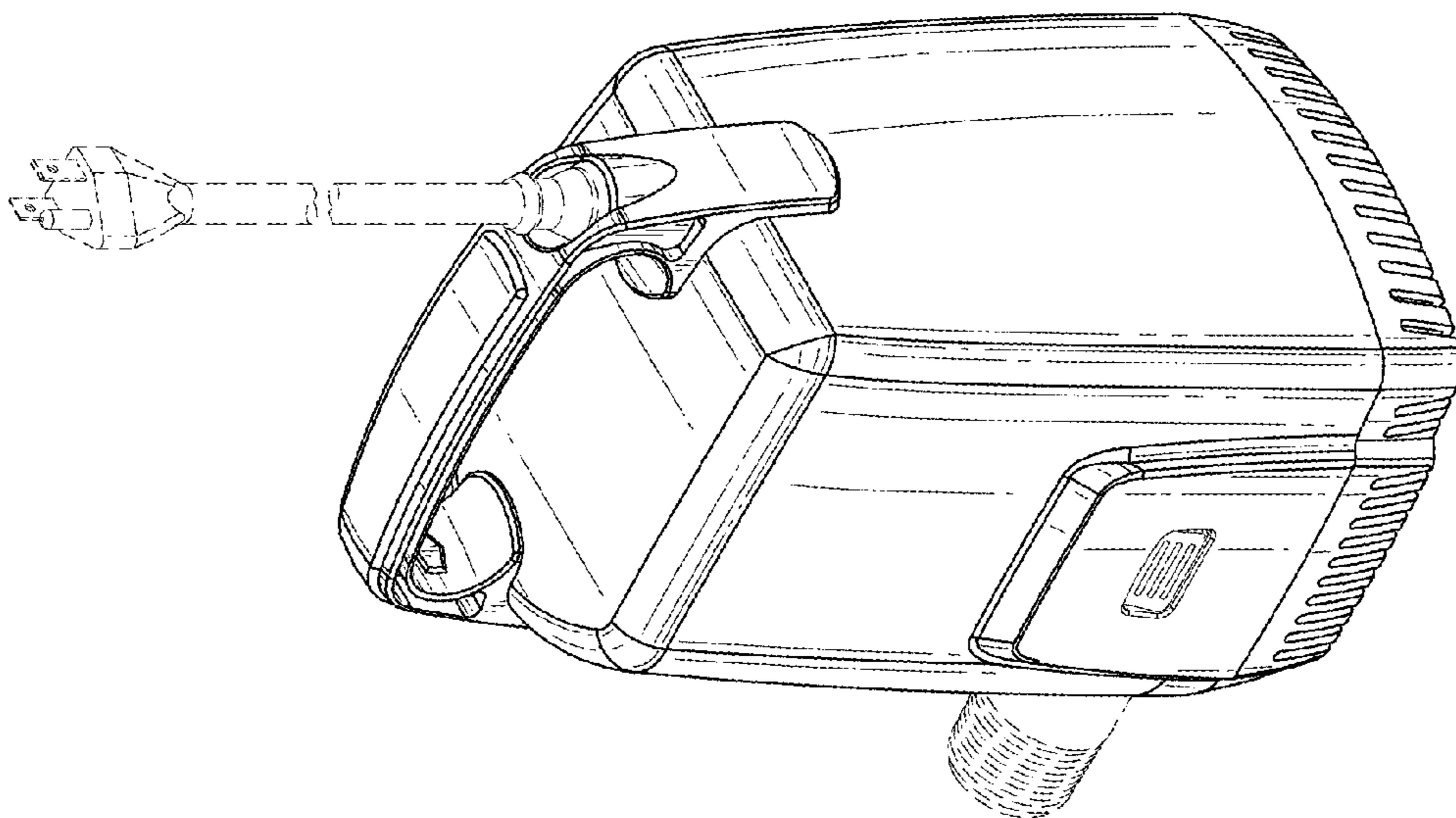


FIG. 2

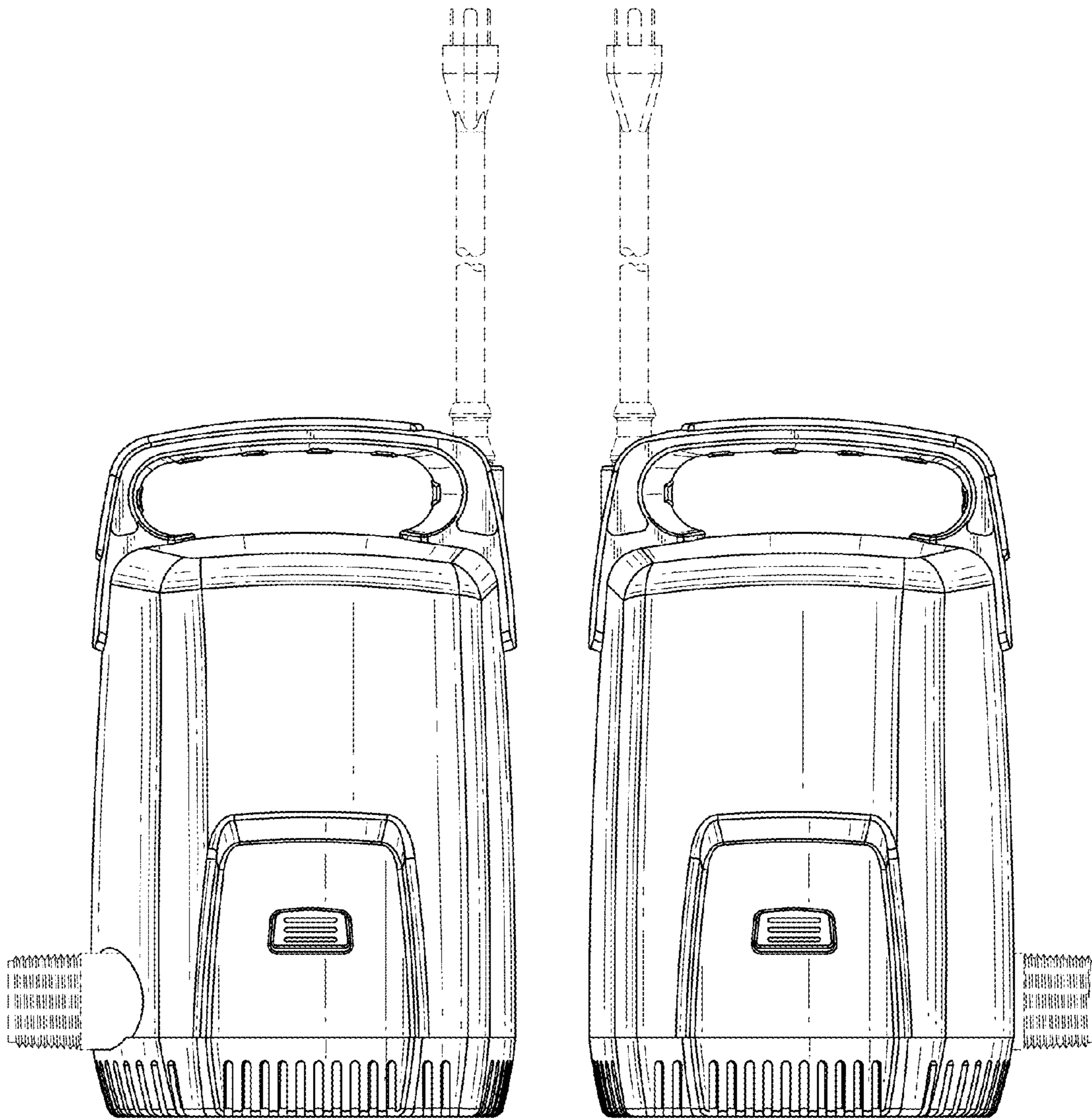


FIG. 3

FIG. 4

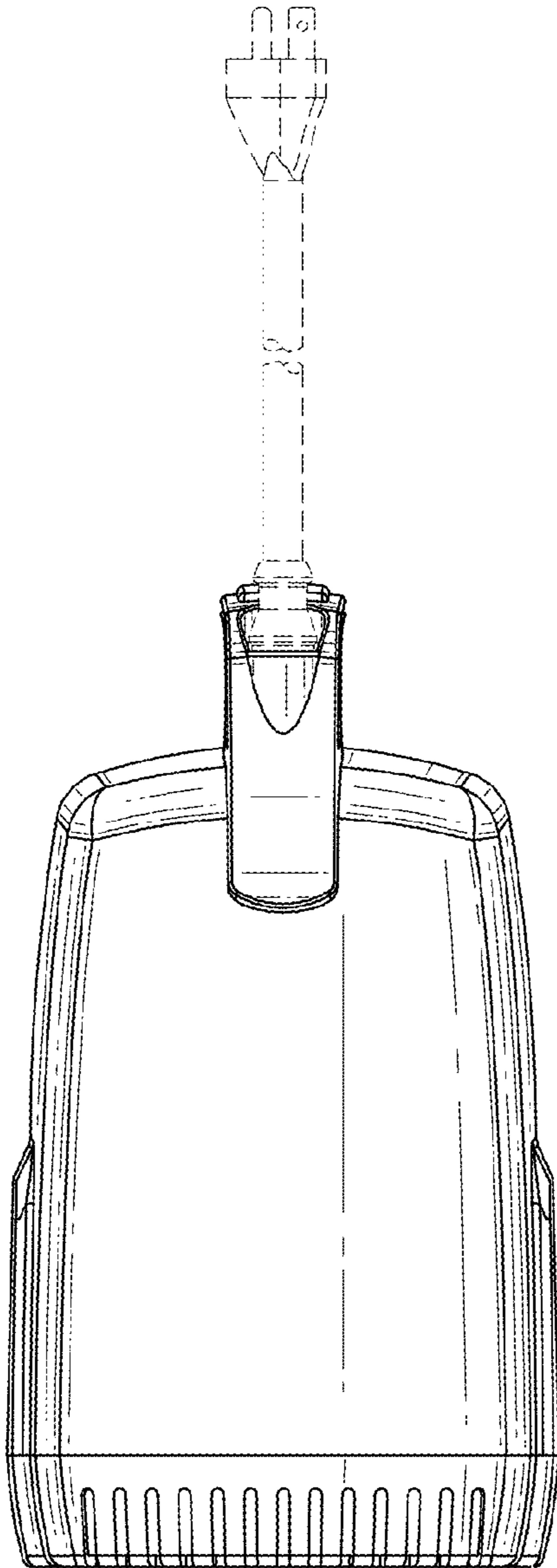


FIG. 5

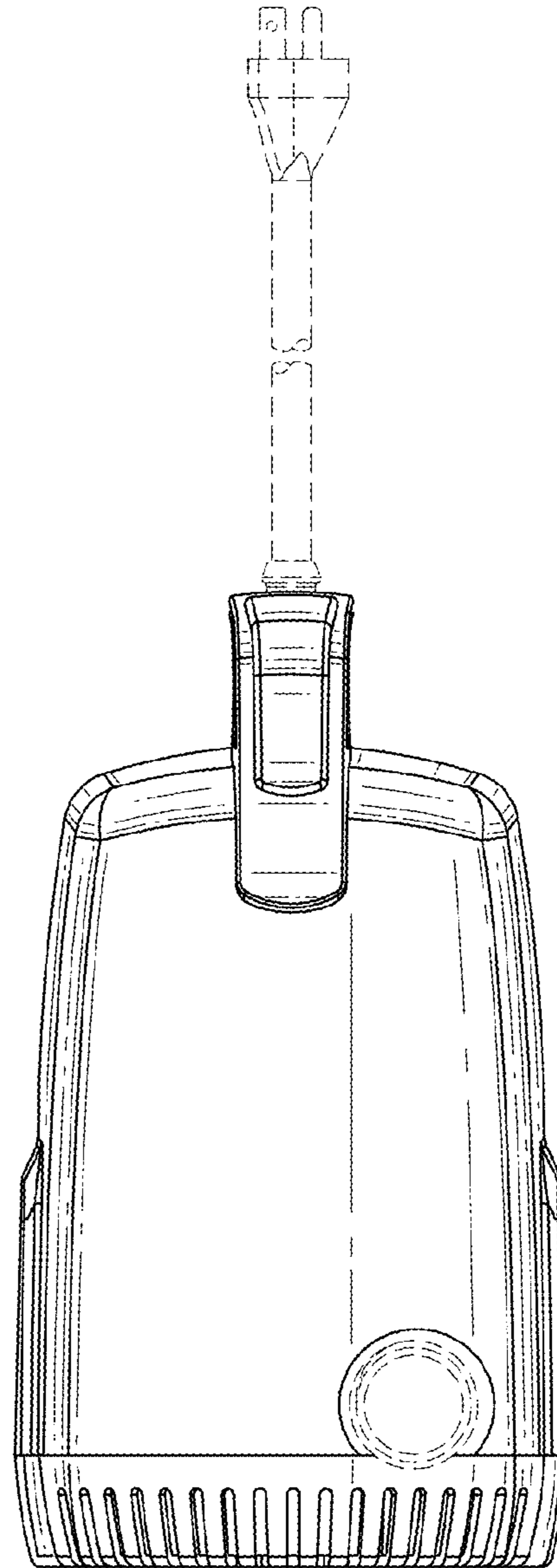


FIG. 6

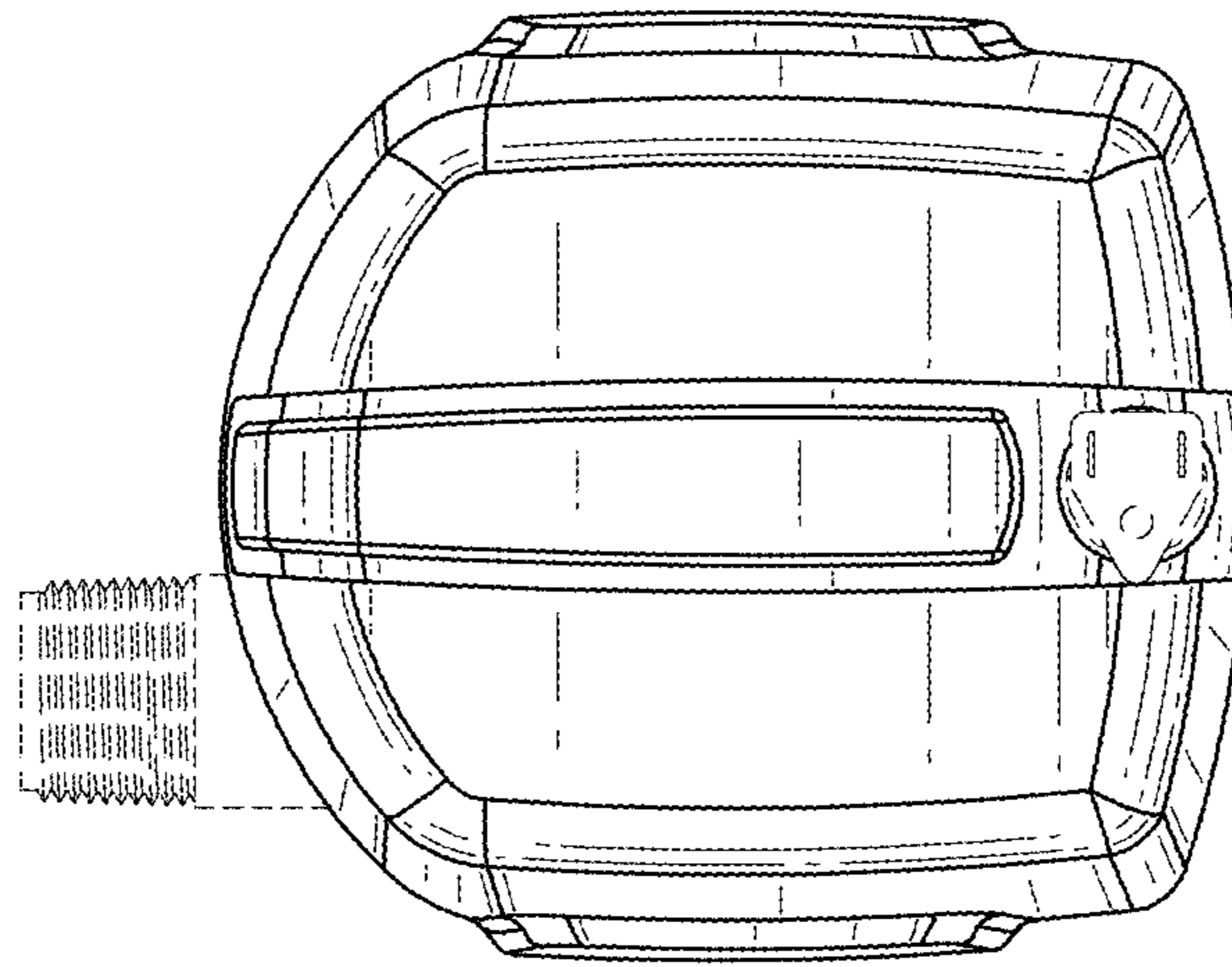


FIG. 7

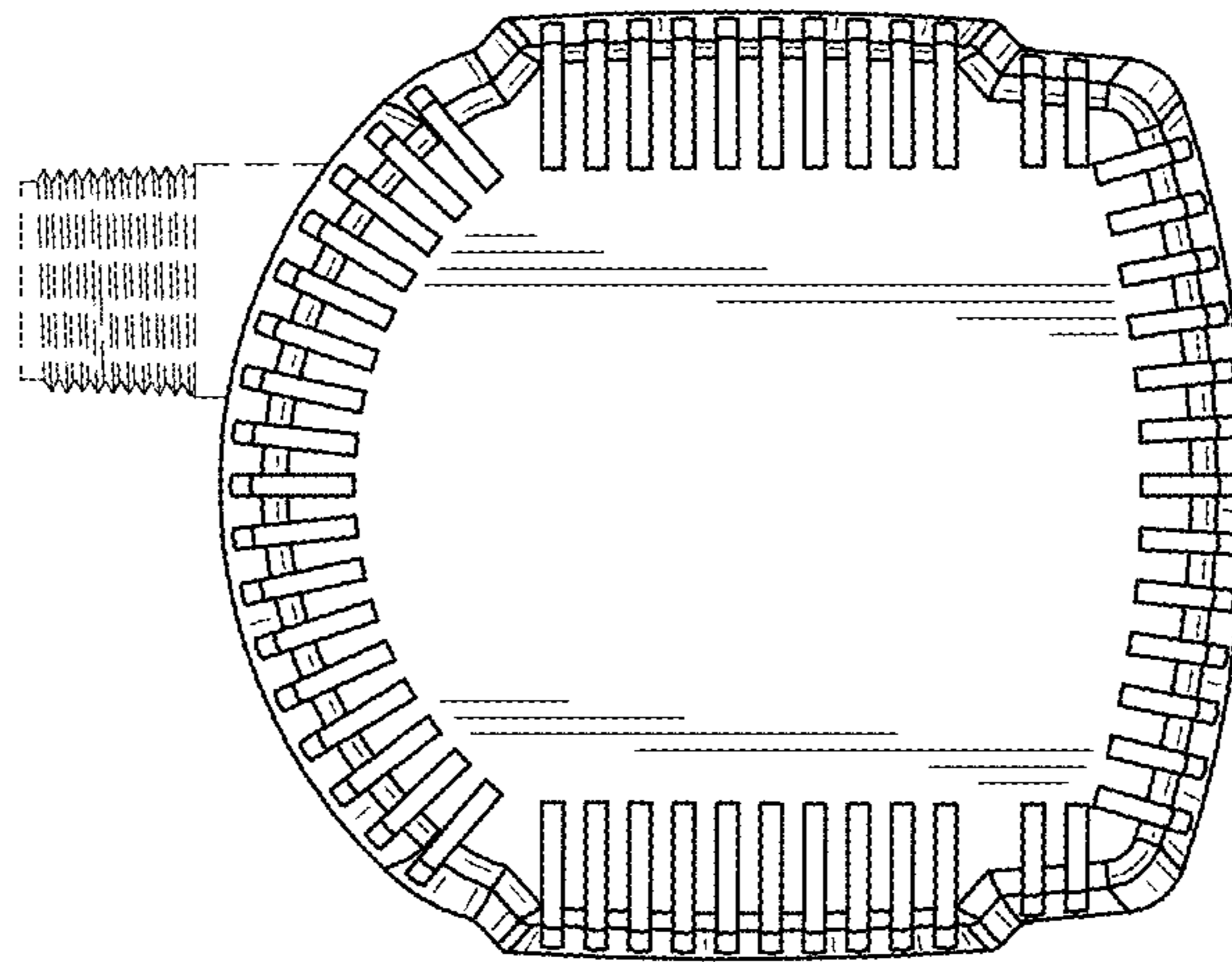


FIG. 8