



US00D708645S

(12) **United States Design Patent**  
**Sarder et al.**

(10) **Patent No.:** **US D708,645 S**  
(45) **Date of Patent:** **\*\* Jul. 8, 2014**

(54) **ENGINE COVER**

(71) Applicant: **Champion Engine Technology, LLC**,  
Sussex, WI (US)

(72) Inventors: **Mark J. Sarder**, Waukesha, WI (US);  
**James J. Dehn**, Brookfield, WI (US);  
**Scott J. Collins**, Mequon, WI (US)

(73) Assignee: **Champion Engine Technology, LLC**,  
Sussex, WI (US)

(\*\*) Term: **14 Years**

(21) Appl. No.: **29/470,270**

(22) Filed: **Oct. 18, 2013**

(51) **LOC (10) Cl.** ..... **15-01**

(52) **U.S. Cl.**  
USPC ..... **D15/5**

(58) **Field of Classification Search**  
USPC ..... D15/1, 2, 3, 5, 6, 14, 17, 149; 123/22,  
123/41, 51 A, 34, 606 R, 52.1, 50 A, 50 B,  
123/54.1, 54.2, 54.4, 54.5, 65 R, 195 R,  
123/195 HC, 657, 311

See application file for complete search history.

(56) **References Cited**

U.S. PATENT DOCUMENTS

D479,244 S *	9/2003	Kern et al. ....	D15/5
D541,300 S *	4/2007	Geisheker et al. ....	D15/5
D548,750 S *	8/2007	Neeley et al. ....	D15/5
D553,645 S *	10/2007	Drew et al. ....	D15/5
D572,271 S *	7/2008	Maeda ....	D15/1
D598,471 S *	8/2009	Wang et al. ....	D15/1
D667,464 S *	9/2012	Tiefenthaler ....	D15/5

\* cited by examiner

*Primary Examiner* — T. Chase Nelson

*Assistant Examiner* — Ania Aman

(74) *Attorney, Agent, or Firm* — Ziolkowski Patent  
Solutions Group, SC

(57) **CLAIM**

The ornamental design for an engine cover, as shown and  
described herein.

**DESCRIPTION**

FIG. 1 is a perspective view of an engine cover in accordance  
with the present invention.

FIG. 2 is a front elevational view thereof;

FIG. 3 is a left side elevational view thereof;

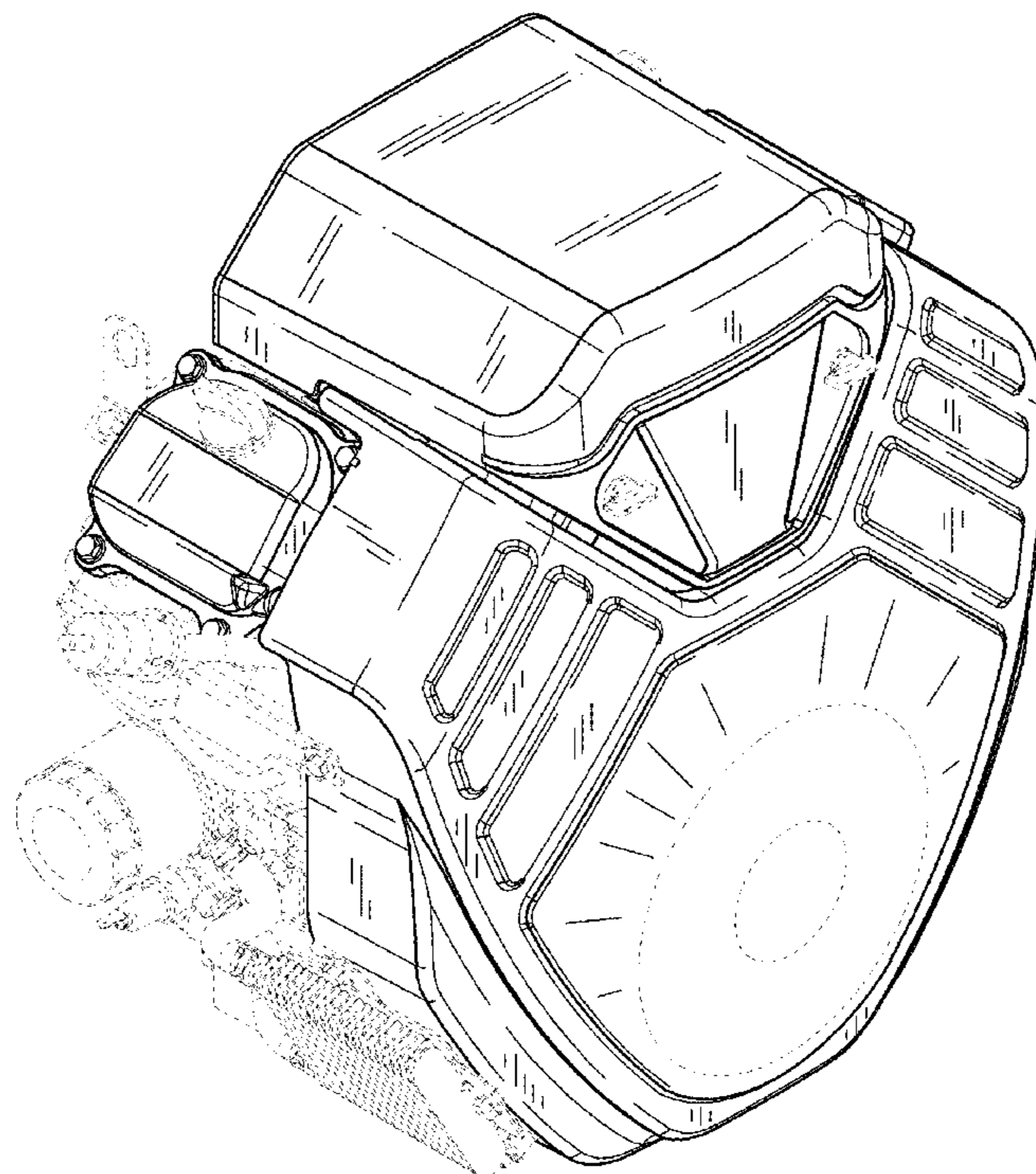
FIG. 4 is a right side elevational view thereof;

FIG. 5 is a top view thereof; and,

FIG. 6 is a bottom view thereof.

The broken lines in the drawing views are included for the  
purpose of illustrating portions of the engine cover that form  
no part of the claimed design.

**1 Claim, 6 Drawing Sheets**



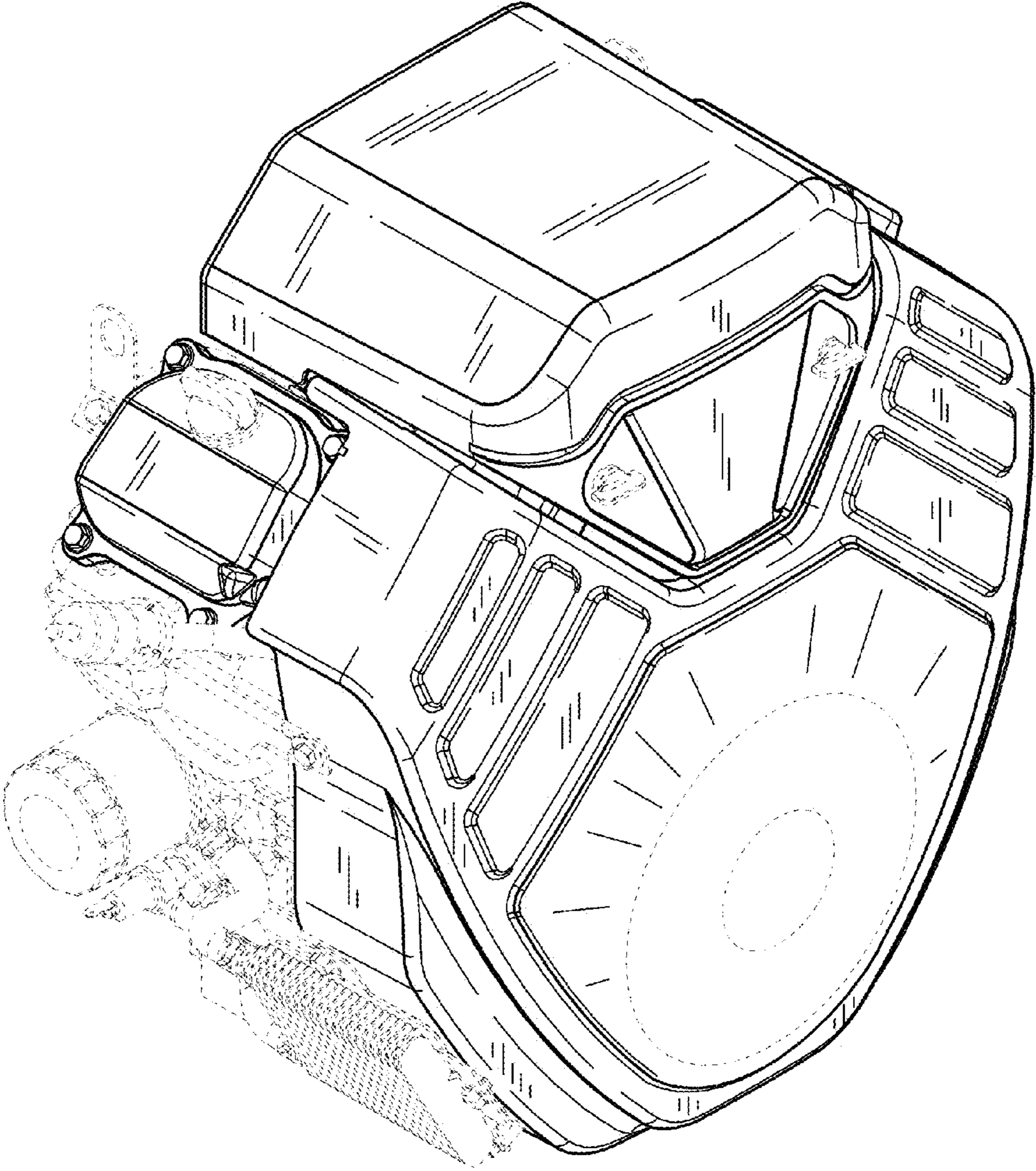


FIG. 1

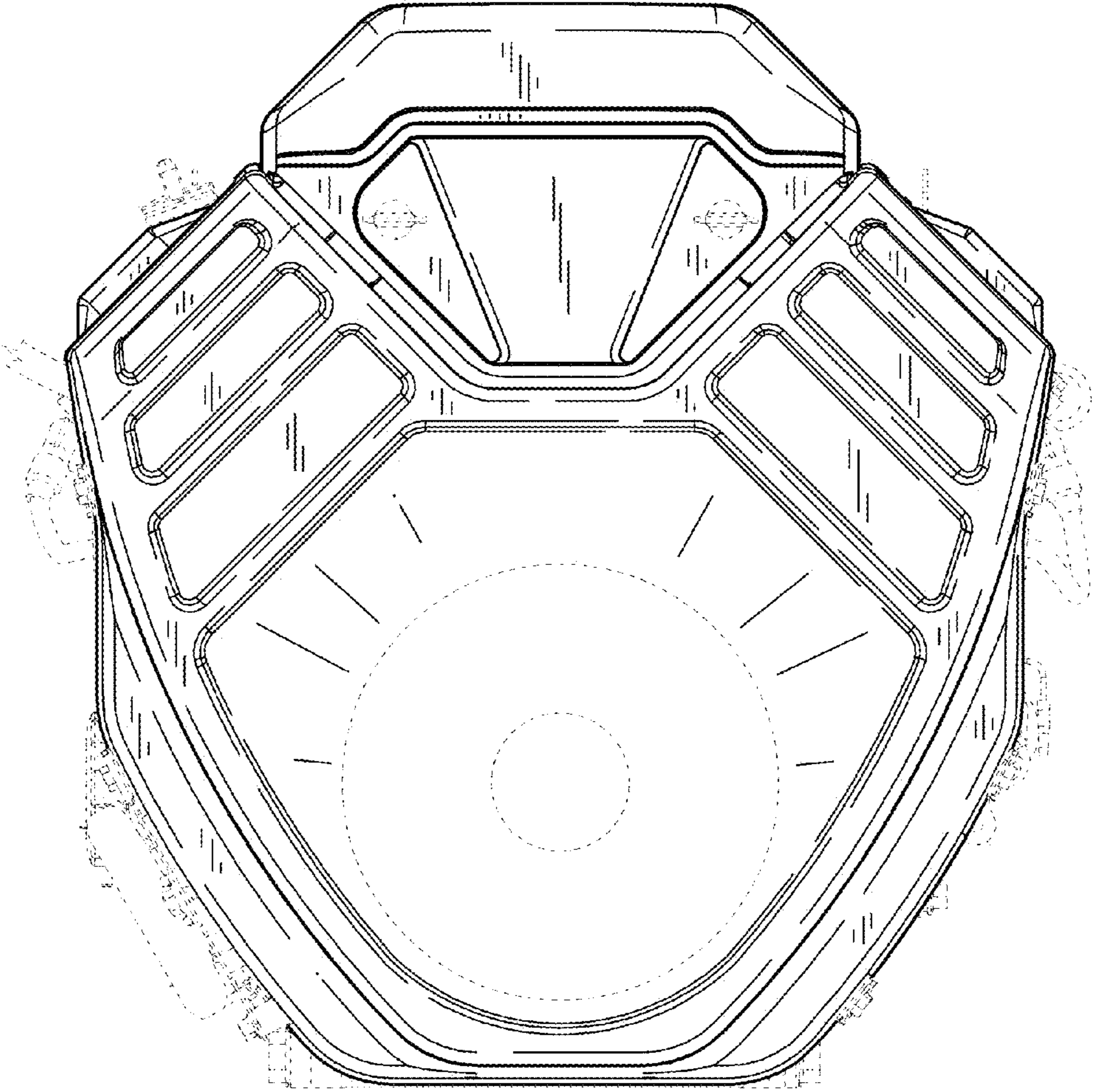


FIG. 2

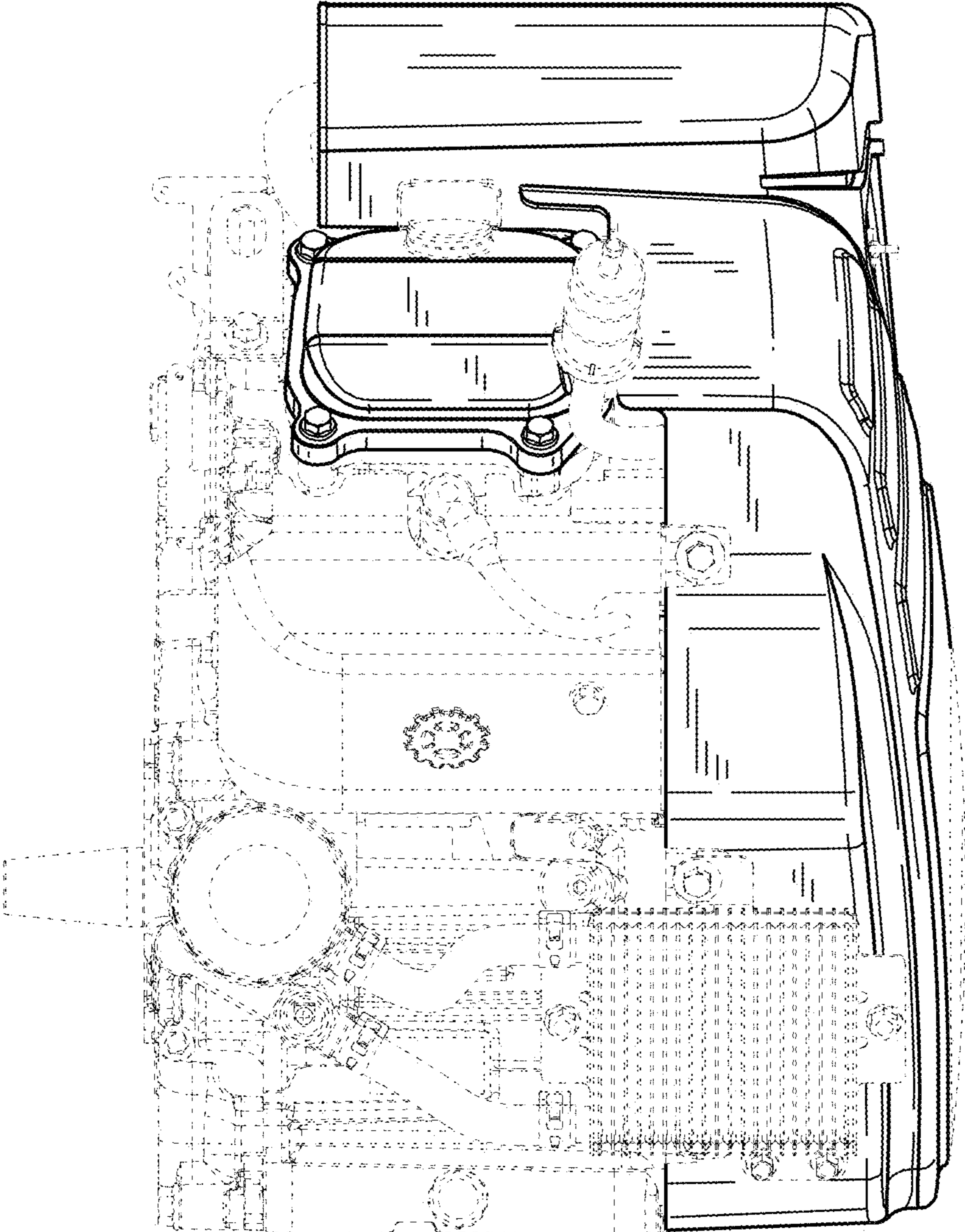


FIG. 3

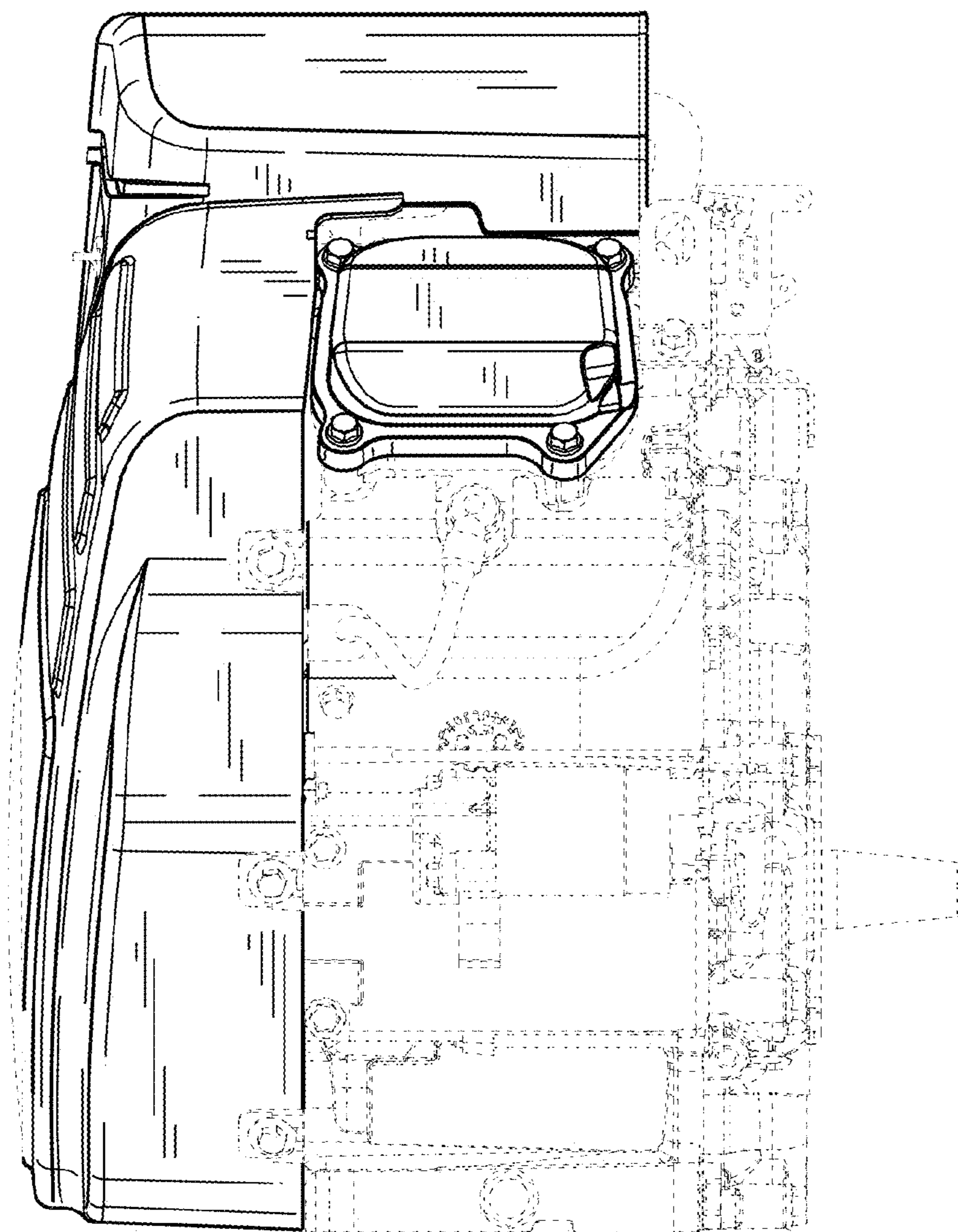


FIG. 4

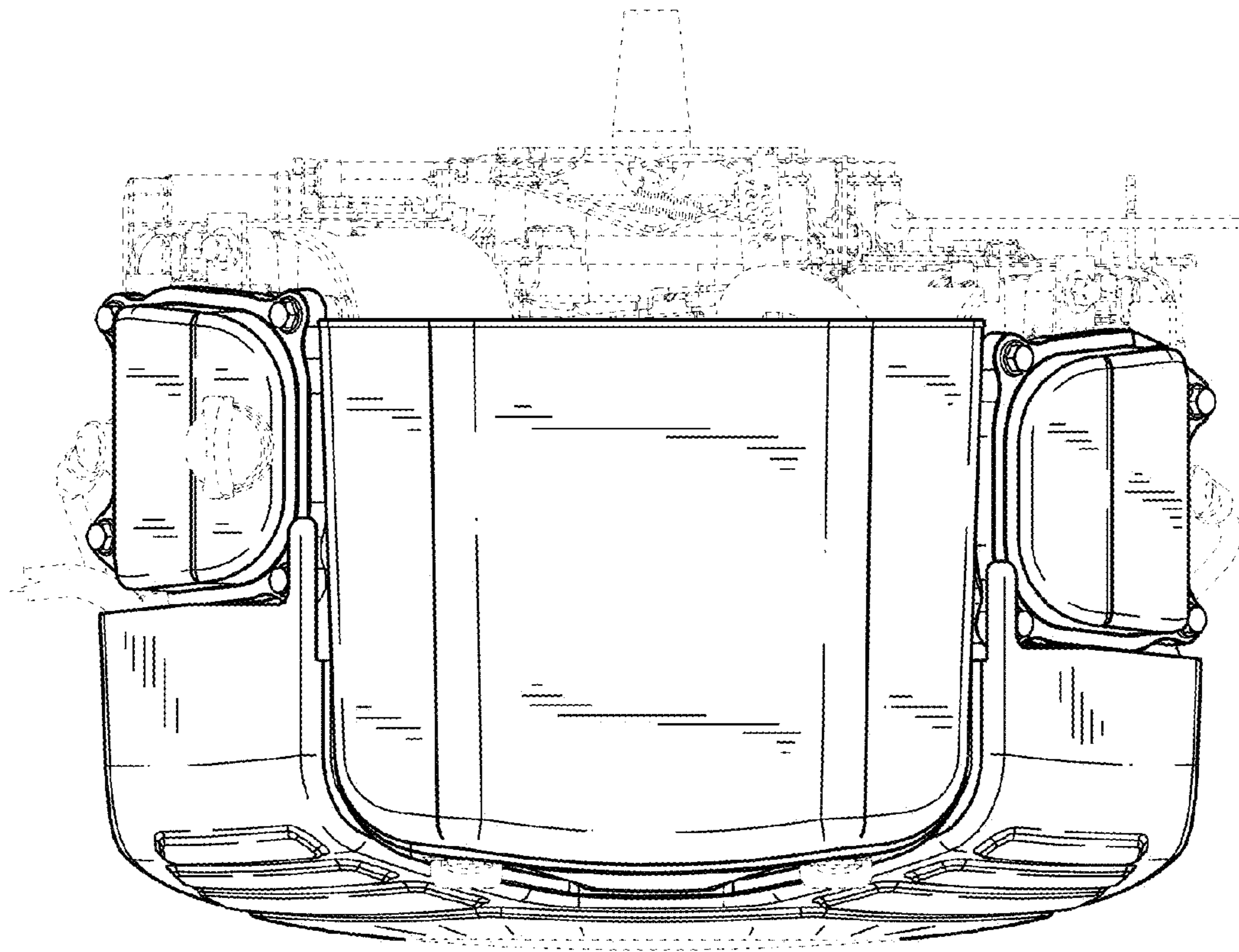


FIG. 5

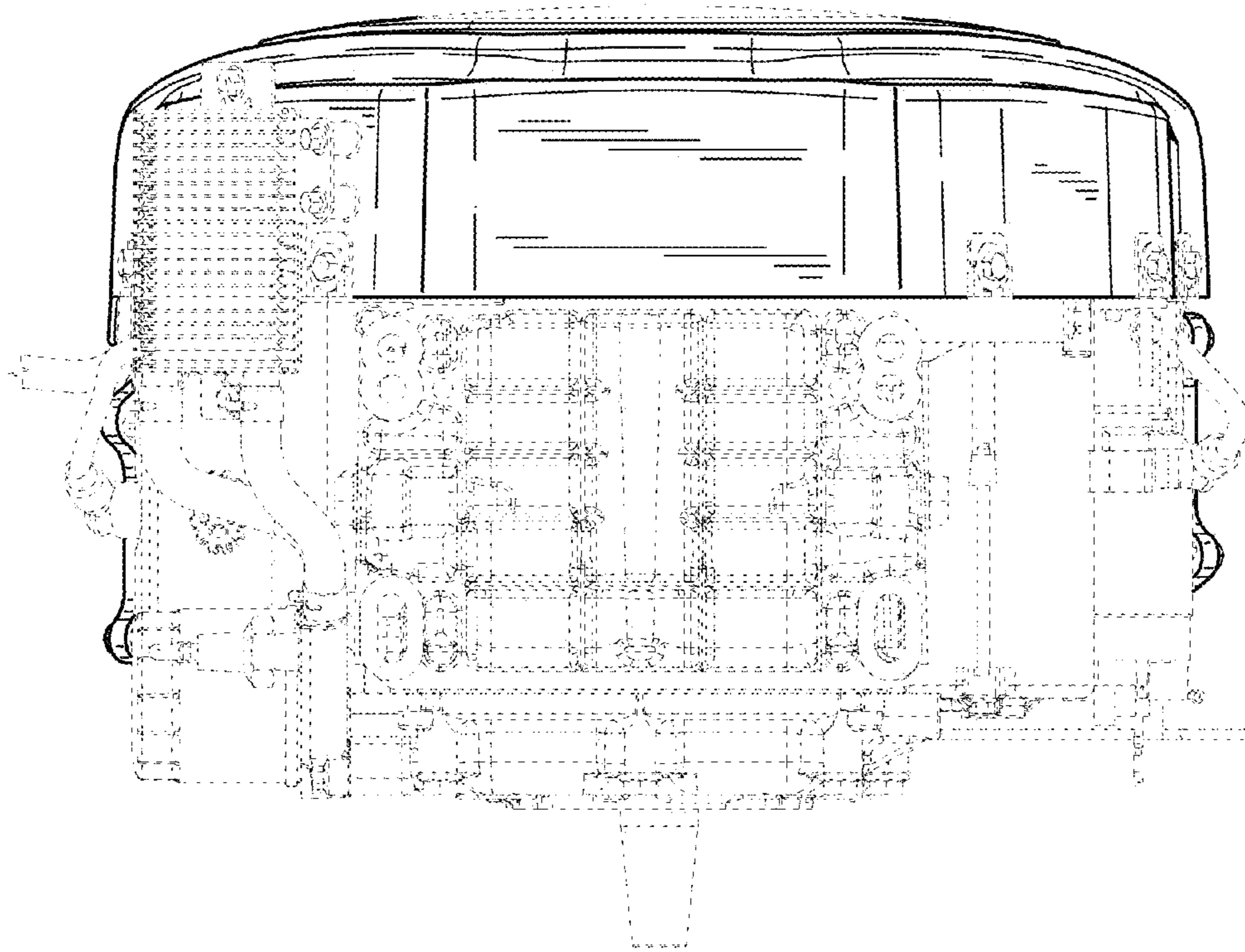


FIG. 6