



US00D708624S

(12) **United States Design Patent**  
**Arnold et al.**

(10) **Patent No.:** **US D708,624 S**  
(45) **Date of Patent:** **\*\* Jul. 8, 2014**

(54) **DISPLAY SCREEN WITH GRAPHICAL USER INTERFACE**

(56)

**References Cited**

U.S. PATENT DOCUMENTS

(75) Inventors: **Jeffery G. Arnold**, Sammamish, WA (US); **Megan Donahue**, Seattle, WA (US); **Chad Michael Roberts**, Snohomish, WA (US); **Josh Phillips**, Seattle, WA (US); **Jeremy Monroe Bowen**, Renton, WA (US); **Dawn Wilson**, Bellevue, WA (US); **Joyce S. Chou**, Seattle, WA (US)

D384,052	S	*	9/1997	Kodosky	.....	D14/490
D470,859	S	*	2/2003	Lane	.....	D14/489
D471,225	S	*	3/2003	Gray	.....	D18/27
D593,571	S	*	6/2009	Ball et al.	.....	D14/485
D611,496	S	*	3/2010	Akiyoshi et al.	.....	D14/493
D629,814	S	*	12/2010	Lew	.....	D14/492
D642,196	S	*	7/2011	Fong et al.	.....	D14/492
D677,674	S	*	3/2013	Rampson et al.	.....	D14/485
D677,679	S	*	3/2013	Edwards et al.	.....	D14/485
D684,996	S	*	6/2013	Wenz et al.	.....	D14/495
D688,690	S	*	8/2013	Garn et al.	.....	D14/488
D692,904	S	*	11/2013	Garn et al.	.....	D14/486

(73) Assignee: **Microsoft Corporation**, Redmond, WA (US)

\* cited by examiner

(\*) Notice: This patent is subject to a terminal disclaimer.

*Primary Examiner* — Mary Ann Calabrese

(74) *Attorney, Agent, or Firm* — Banner & Witcoff, Ltd.

(\*\*) Term: **14 Years**

(57) **CLAIM**

The ornamental design for a display screen with graphical user interface, as shown and described.

(21) Appl. No.: **29/425,176**

**DESCRIPTION**

(22) Filed: **Jun. 20, 2012**

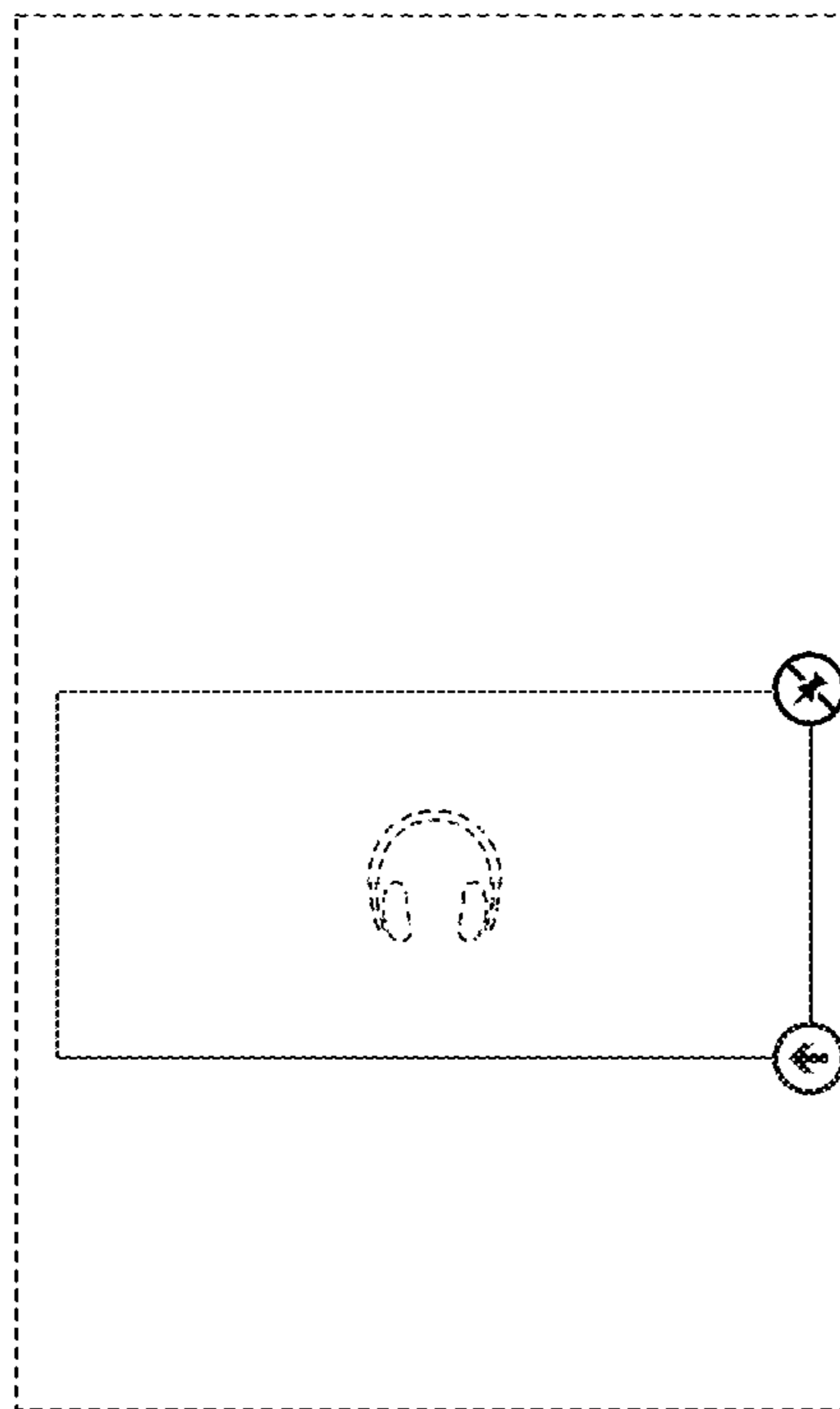
(51) **LOC (10) Cl.** ..... **14-04**

(52) **U.S. Cl.**  
USPC ..... **D14/485**; D14/491; D14/492

(58) **Field of Classification Search**  
USPC ..... D14/485–495; D18/24–33; D20/11, 12, D20/18, 22–28; 715/700–867, 961–978  
See application file for complete search history.

FIG. 1 is a front view of a display screen with graphical user interface showing the new design; and, FIG. 2 is a front view of the display screen with graphical user interface of FIG. 1 shown with additional disclaimed content. The broken line showing of the icon and the remainder of the display screen and the remainder of the device containing the display screen with graphical user interface in FIG. 2 is for environmental purposes only and forms no part of the claimed design.

**1 Claim, 2 Drawing Sheets**



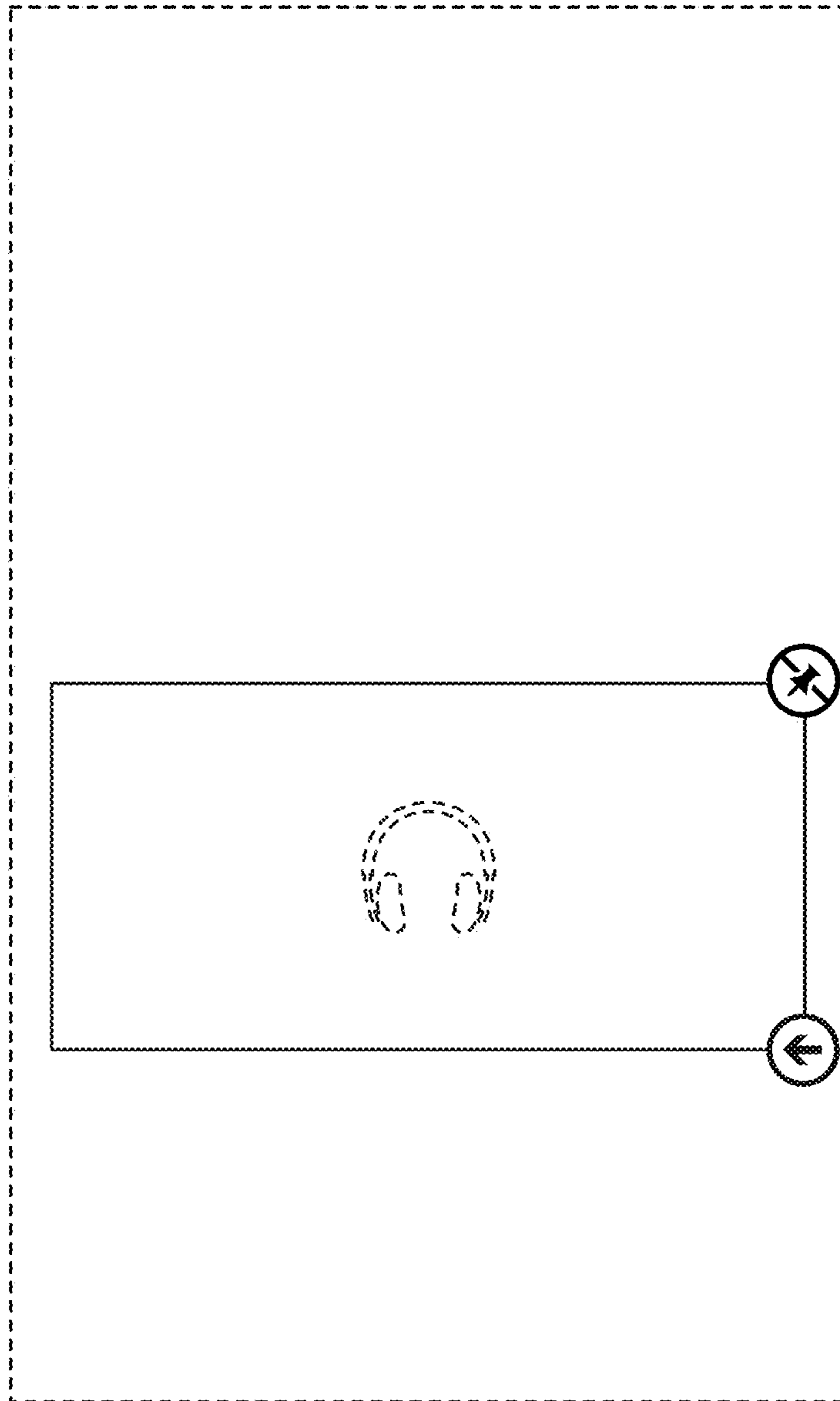


FIG. 1

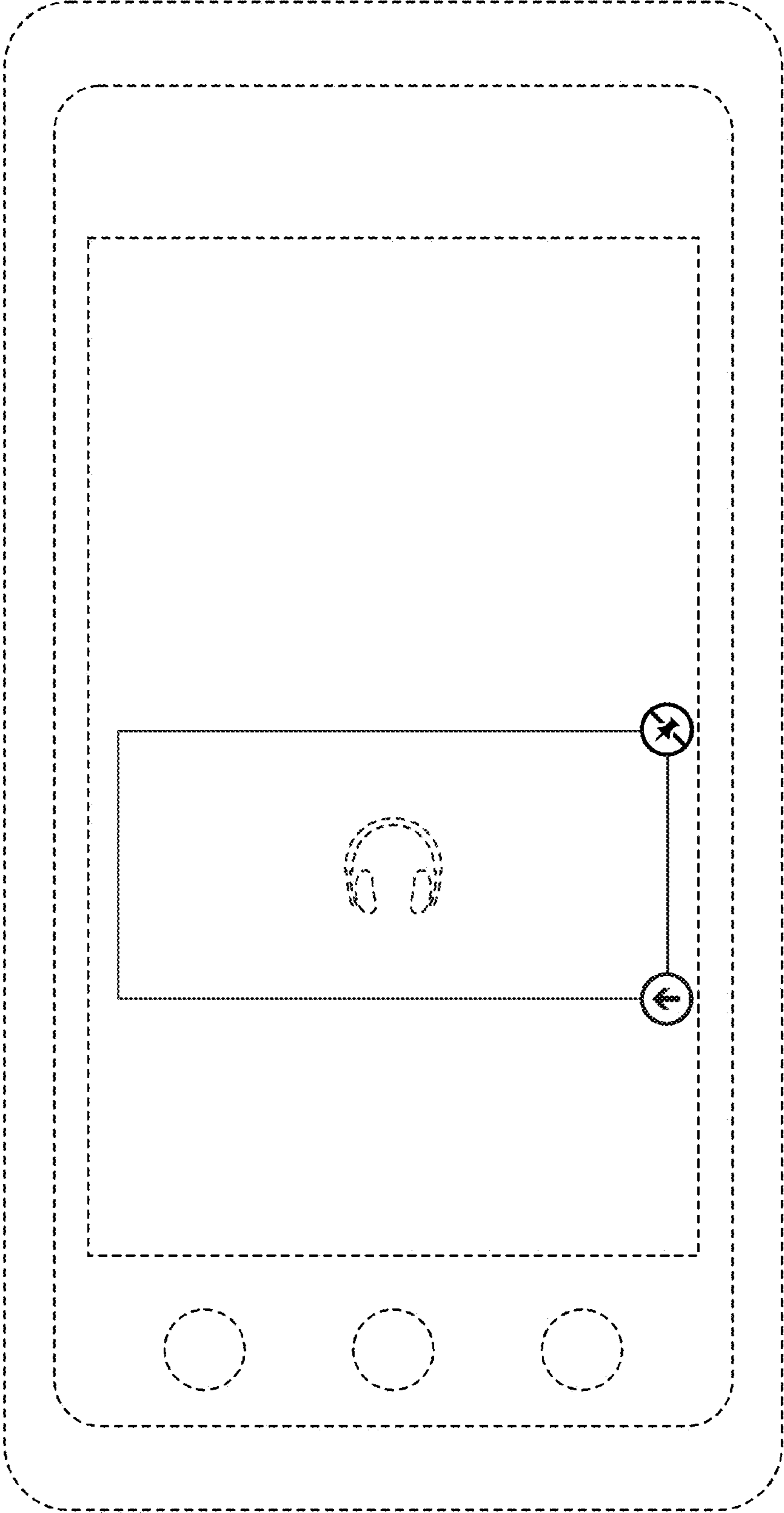


FIG. 2